

US00D962772S

(12) **United States Design Patent**
Bing et al.

(10) **Patent No.:** **US D962,772 S**
(45) **Date of Patent:** **** Sep. 6, 2022**

(54) **CONTAINER**

(71) Applicant: **Cintas Corporate Services, Inc.**,
Cincinnati, OH (US)
(72) Inventors: **Richard R. Bing**, West Chester, OH
(US); **Megan Kathryn Helms**,
Hamilton, OH (US); **David Steven
Mesko**, Wyoming, OH (US); **Michael
E. Berger**, Brooklyn, NY (US); **Adem
Önalán**, Jersey City, NJ (US); **Marco
C. Perry**, Brooklyn, NY (US)
(73) Assignee: **Cintas Corporate Services, Inc.**,
Cincinnati, OH (US)

(**) Term: **15 Years**

(21) Appl. No.: **29/843,543**

(22) Filed: **Jun. 22, 2022**

Related U.S. Application Data

(62) Division of application No. 29/755,403, filed on Oct.
20, 2020.

(51) **LOC (13) Cl.** **09-01**

(52) **U.S. Cl.**
USPC **D9/548; D9/549; D9/575**

(58) **Field of Classification Search**
USPC D9/500–505, 529, 547, 548, 549, 550,
D9/556, 557, 558, 573, 575, 428, 445,
D9/518, 551, 563, 564, 520, 691,
D9/739–739, 743–747; D3/203.2;
D7/510–511
CPC .. B65D 1/0223; B65D 83/205; B65D 1/0246;
B65D 23/001; A45D 34/045; B67D 5/64
See application file for complete search history.

(56) **References Cited**

U.S. PATENT DOCUMENTS

231,597 A 8/1880 Matthews
2,319,233 A 5/1943 Hoppe
2,837,245 A 6/1958 Grebowiec
3,278,086 A 10/1966 Clouzeau et al.

(Continued)

FOREIGN PATENT DOCUMENTS

KR 301031895.0000 * 11/2019

OTHER PUBLICATIONS

Horsleys, Mar. 28, 2017, airline-suppliers.com, URL:https://www.
airline-suppliers.com/supplier-press-release/meet-horsleys-world-
travel-catering-onboard-services-expo-2017-april/ (Year: 2017).*

Primary Examiner — Brett Miller

Assistant Examiner — Tani J Abdallah

(74) *Attorney, Agent, or Firm* — Wood Herron & Evans
LLP

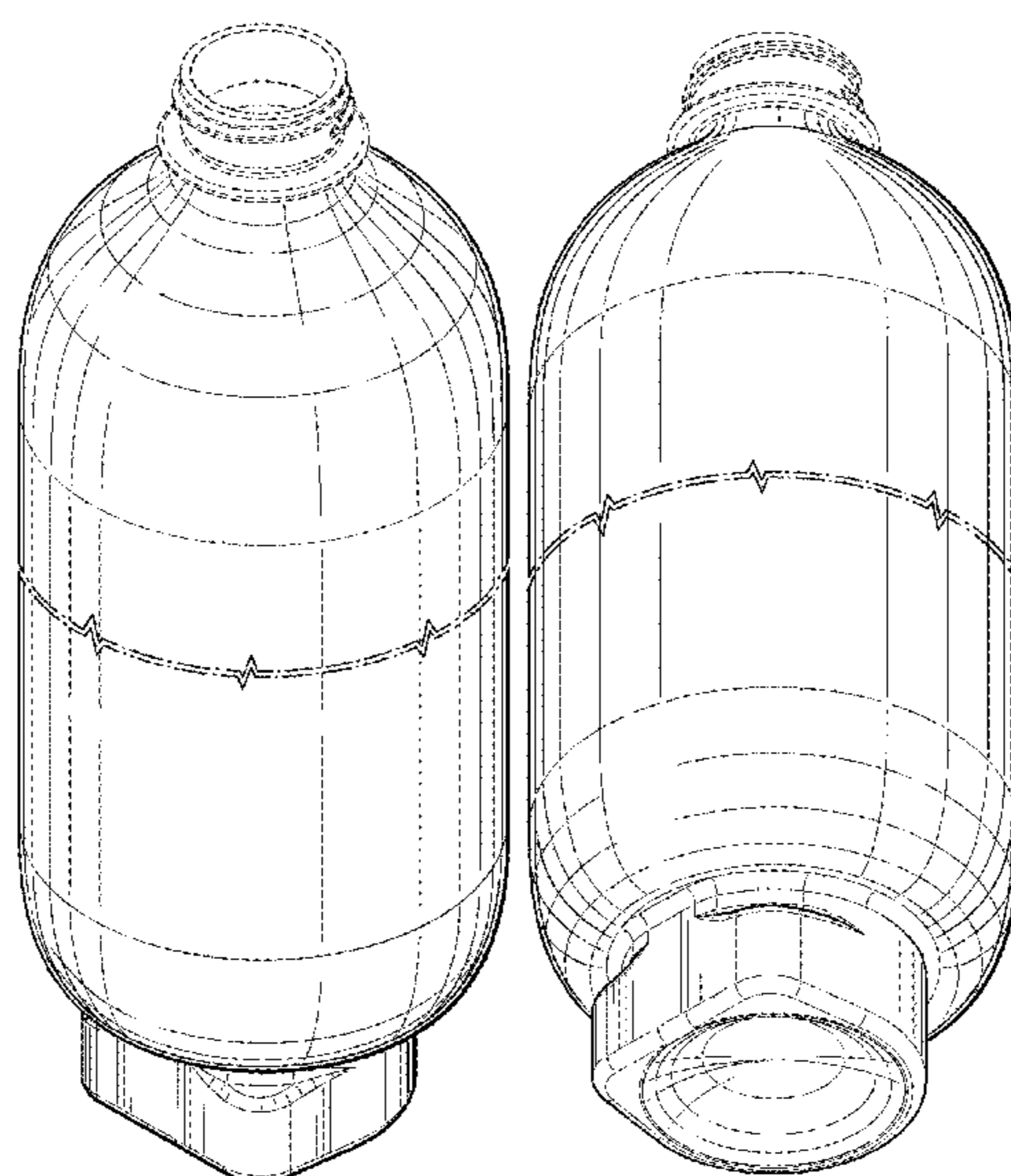
(57) **CLAIM**

An ornamental design for a container, as shown and
described.

DESCRIPTION

FIG. 1 is a front top perspective view of a container
according to this invention;
FIG. 2 is a front bottom perspective view thereof;
FIG. 3 is a front view thereof;
FIG. 4 is a left side view thereof;
FIG. 5 is right side view thereof;
FIG. 6 is rear view thereof;
FIG. 7 is a top view thereof; and,
FIG. 8 is a bottom view thereof.
Elements or portions of the design shown in broken lines
show non-claimed aspects of the invention. Neither the
broken lines themselves nor the portions represented by the
broken lines form any part of the claimed invention. The
invention is shown with a symbolic break in its height. The
appearance of any portion of the invention between the
break lines forms no part of the claimed design.

1 Claim, 7 Drawing Sheets



(56)

References Cited

U.S. PATENT DOCUMENTS

3,722,725	A *	3/1973	Khetani	B65D 23/001	D588,929	S *	3/2009	Boigeol	D9/691
				220/605	D627,657	S	11/2010	Vogler	
3,727,782	A *	4/1973	Doughty	B65D 23/001	D646,177	S	10/2011	Jeffs	
				220/605	D649,061	S	11/2011	Jeffs	
D274,887	S	7/1984	Ryder		8,302,819	B2 *	11/2012	Dente	A61L 9/12
D275,368	S	9/1984	du Chambon						239/289
4,919,284	A *	4/1990	Tiedemann	B65D 23/001	D696,945	S	1/2014	Newman	
				215/370	9,061,795	B2 *	6/2015	Girardot	B65D 23/001
D308,630	S	6/1990	Cochran et al.		9,427,117	B2 *	8/2016	Barclay	A47K 5/1211
5,062,549	A	11/1991	Smith et al.		D785,455	S	5/2017	James et al.	
5,148,948	A	9/1992	Granville et al.		D787,332	S	5/2017	Peneda	
D351,991	S	11/1994	Bertolini et al.		9,676,519	B2 *	6/2017	Patel	B65D 23/001
5,480,068	A	1/1996	Frazier et al.		D800,561	S	10/2017	Hansen	
D435,646	S	12/2000	Shah et al.		D805,918	S	12/2017	Matthieu	
D435,647	S	12/2000	Shah et al.		D807,177	S	1/2018	Belinsky et al.	
D435,648	S	12/2000	Shah et al.		D839,674	S	2/2019	Lyu et al.	
D435,649	S	12/2000	Shah et al.		D898,575	S	10/2020	Tanchette et al.	
					D902,040	S	11/2020	Guy et al.	
					D932,312	S	10/2021	Giuli	

* cited by examiner

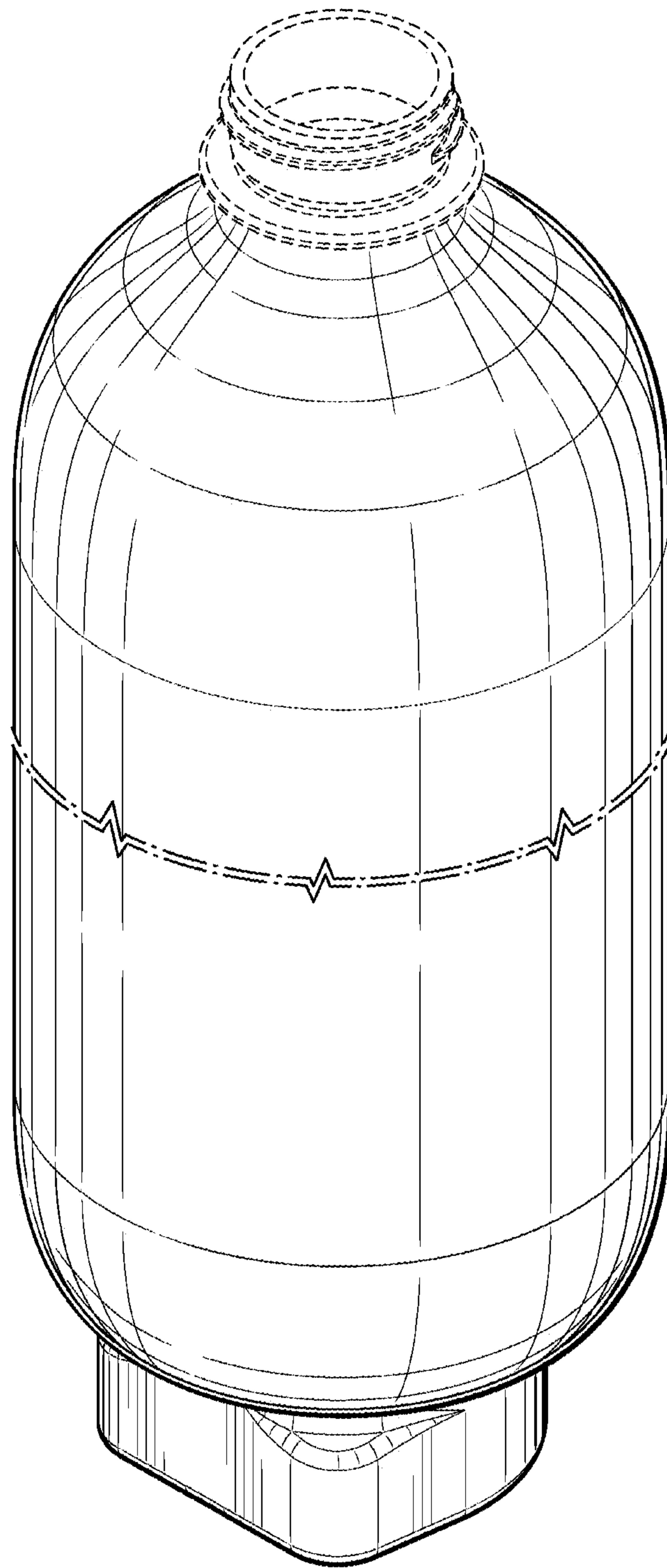


FIG. 1

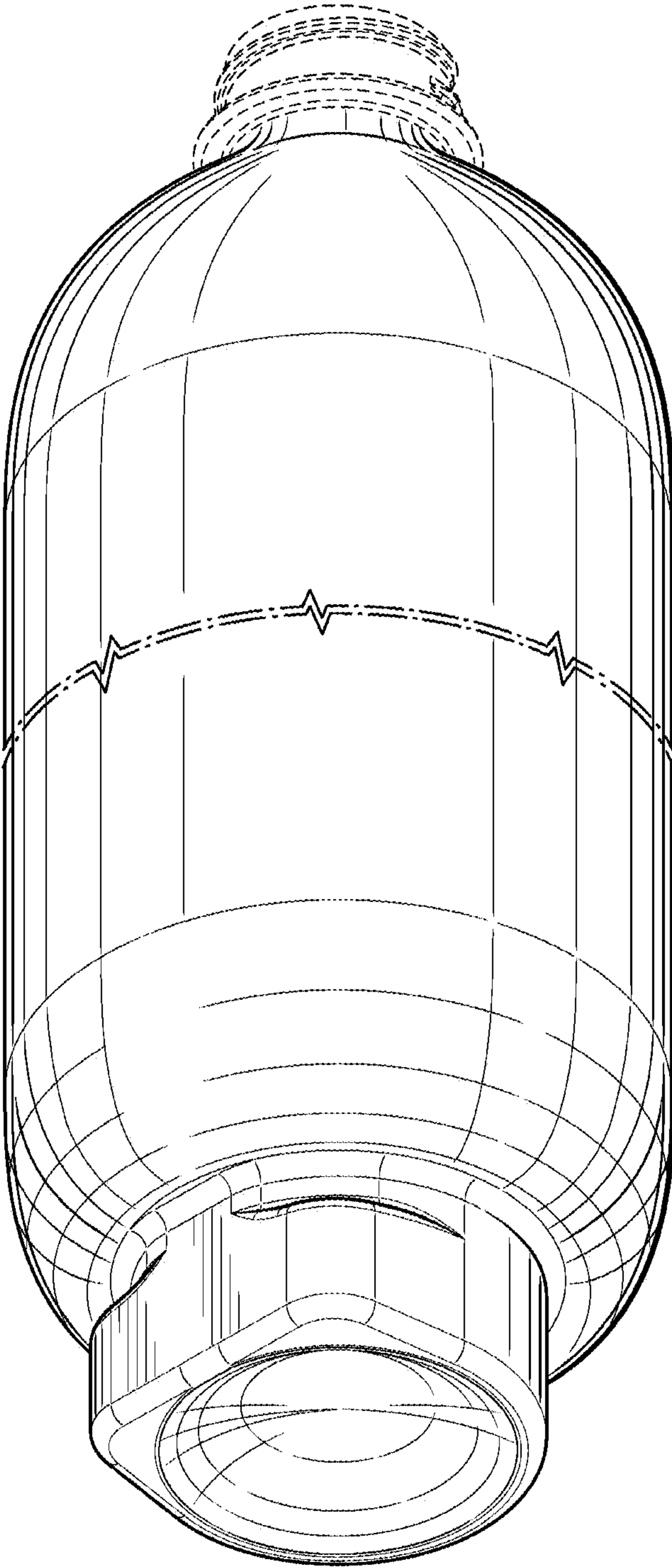


FIG. 2

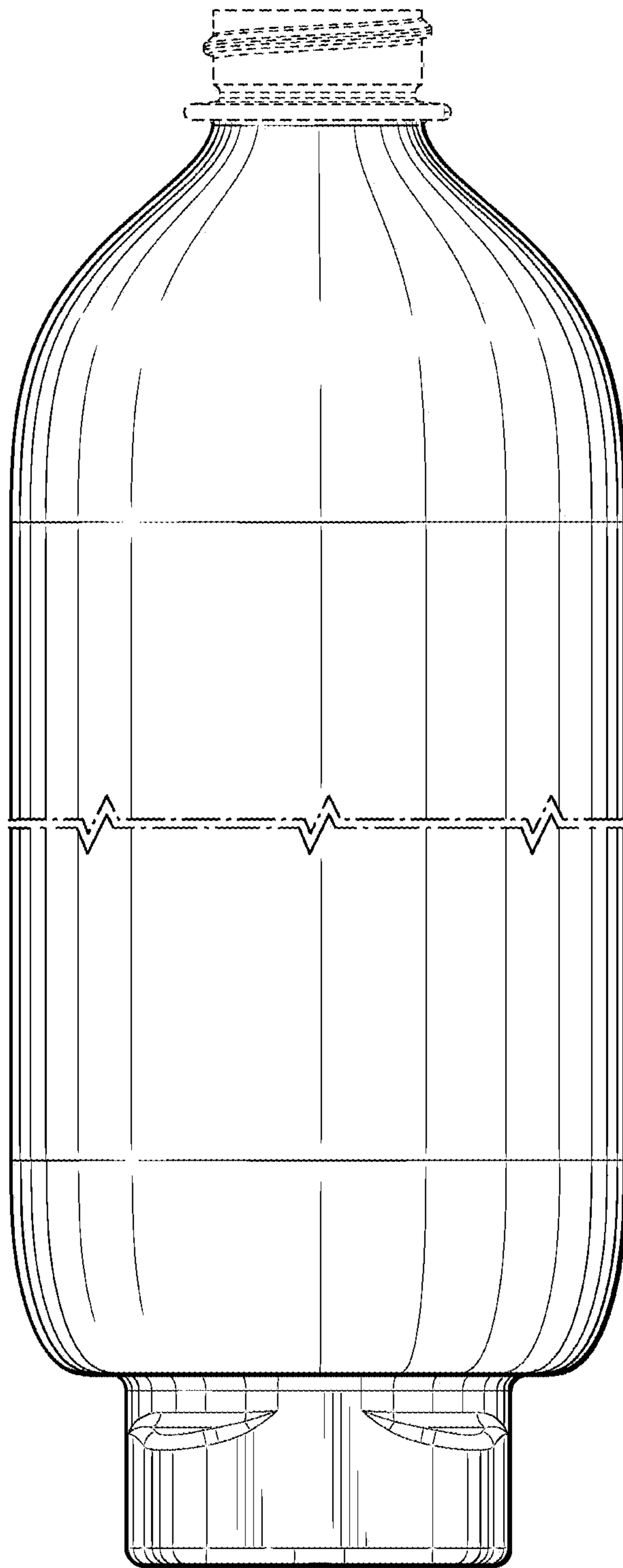


FIG. 3

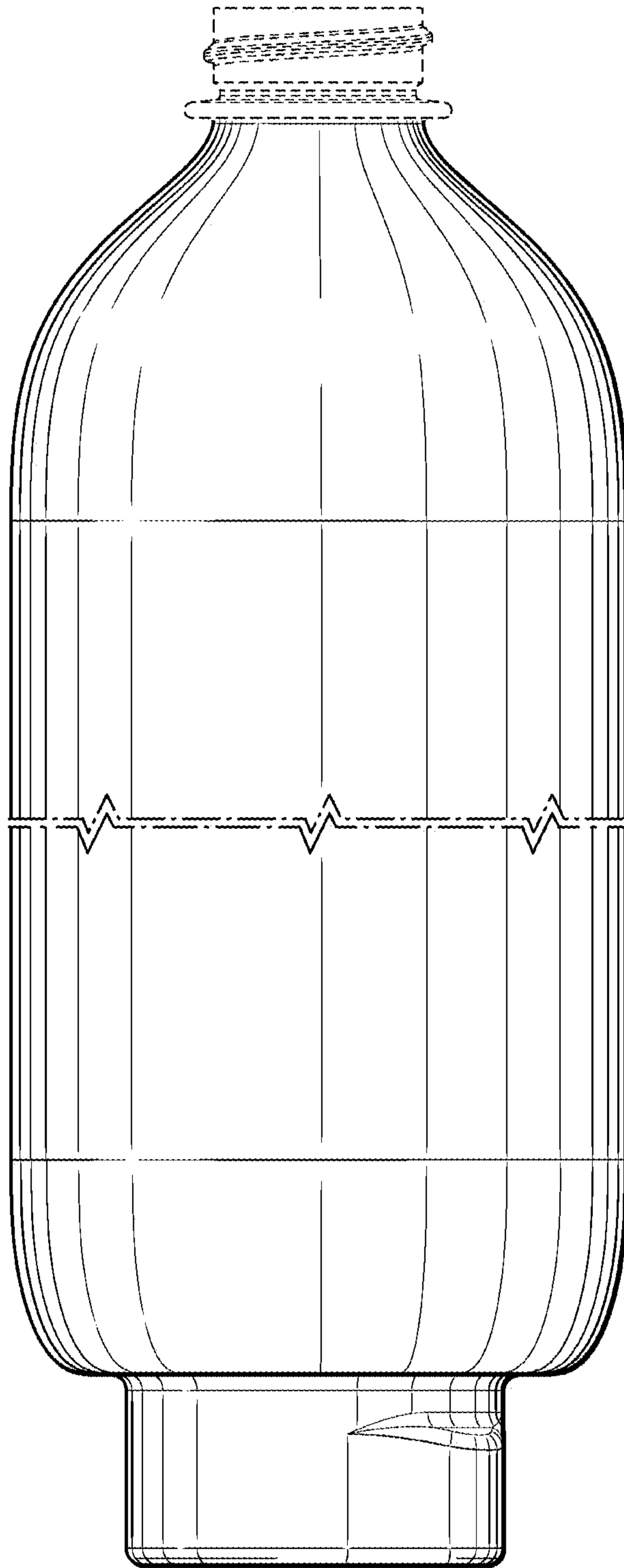


FIG. 4

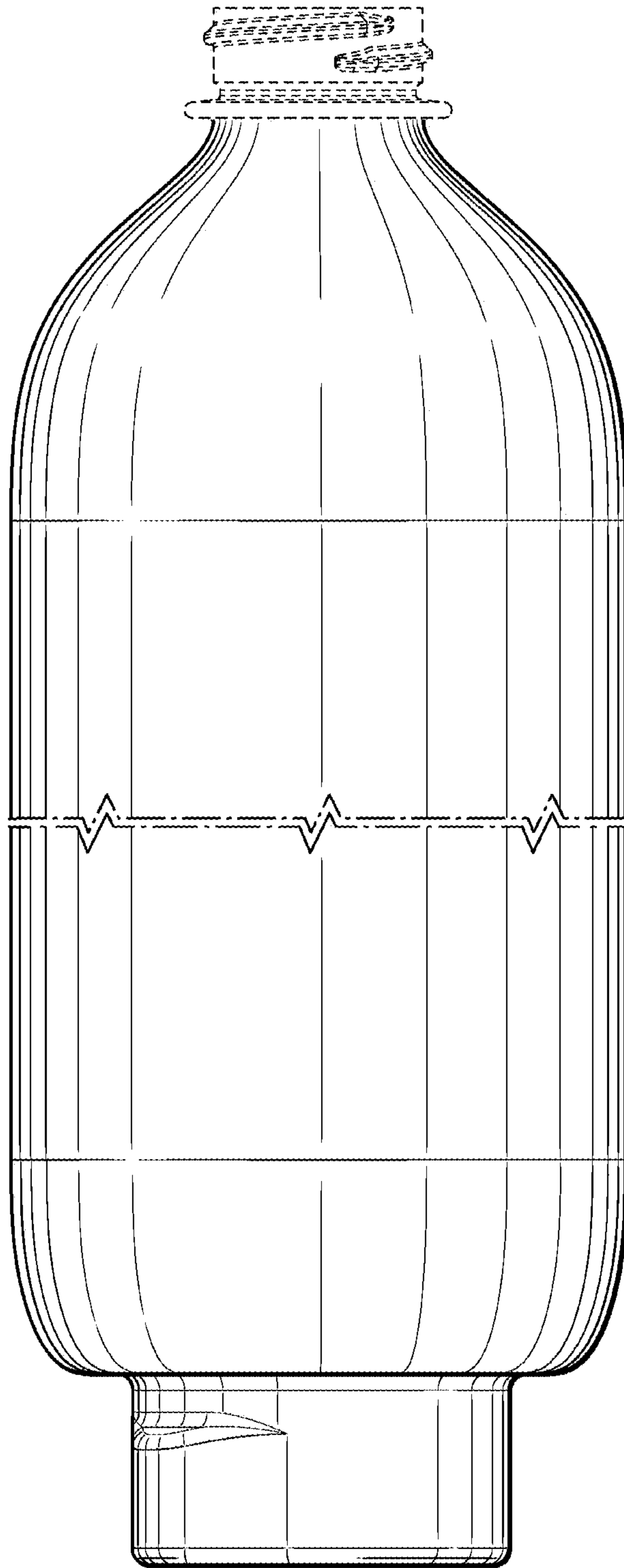


FIG. 5

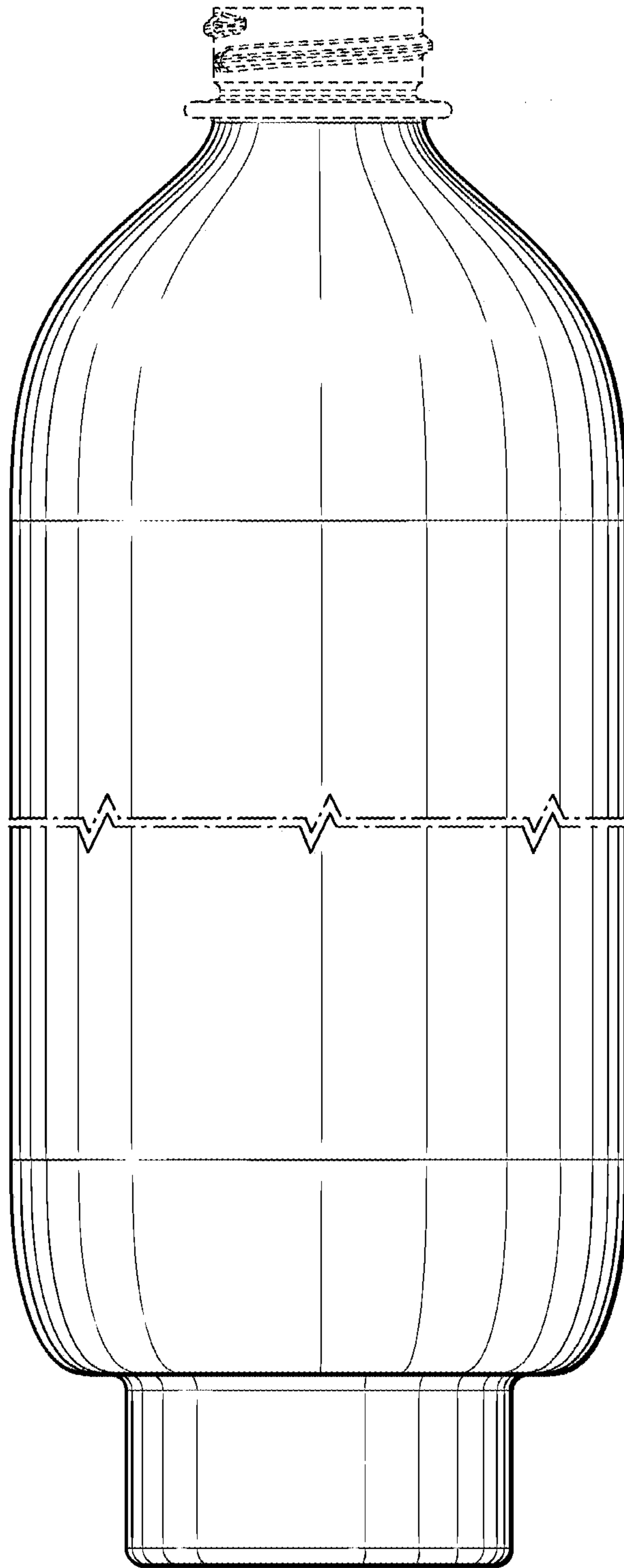


FIG. 6

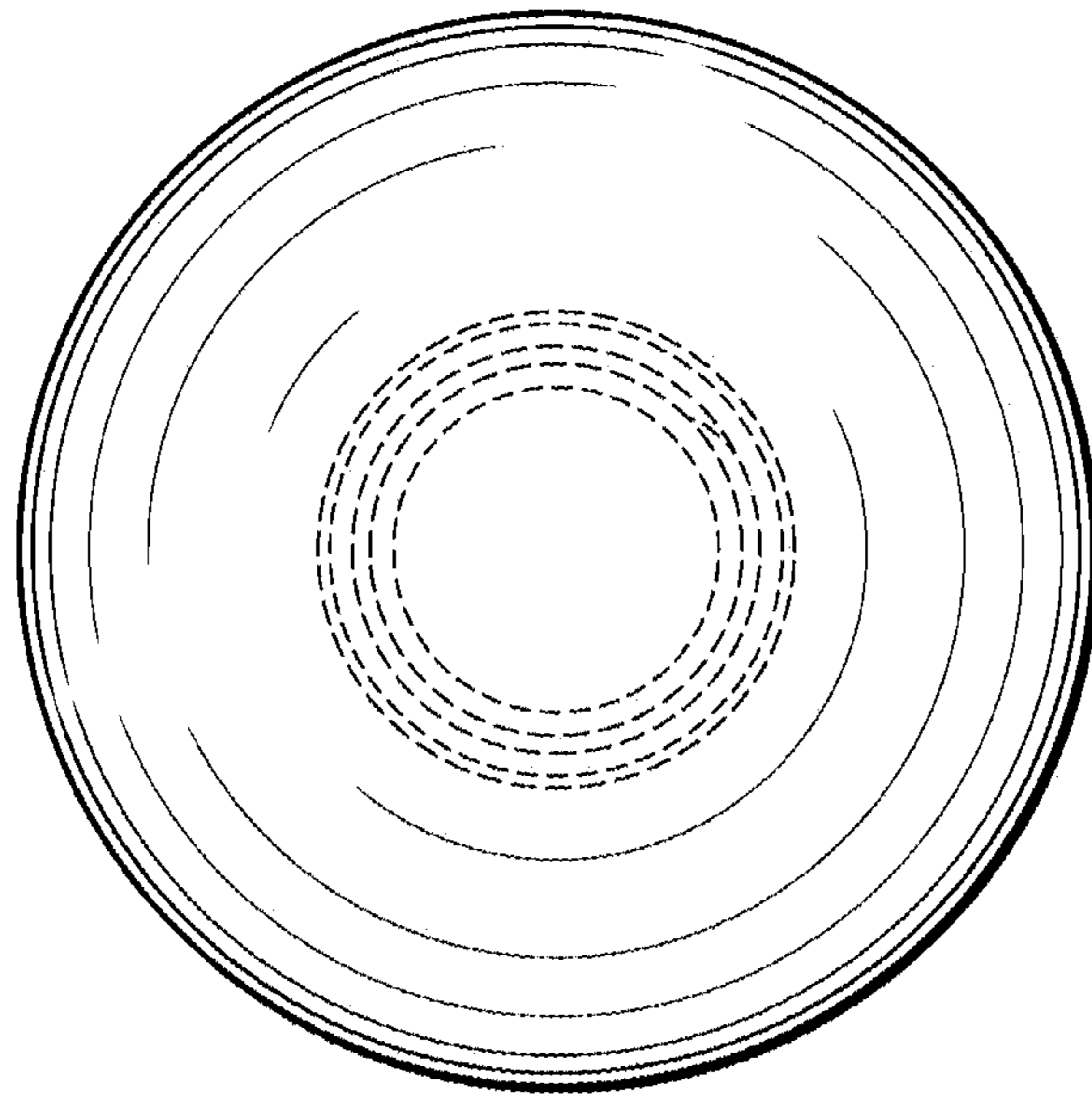


FIG. 7

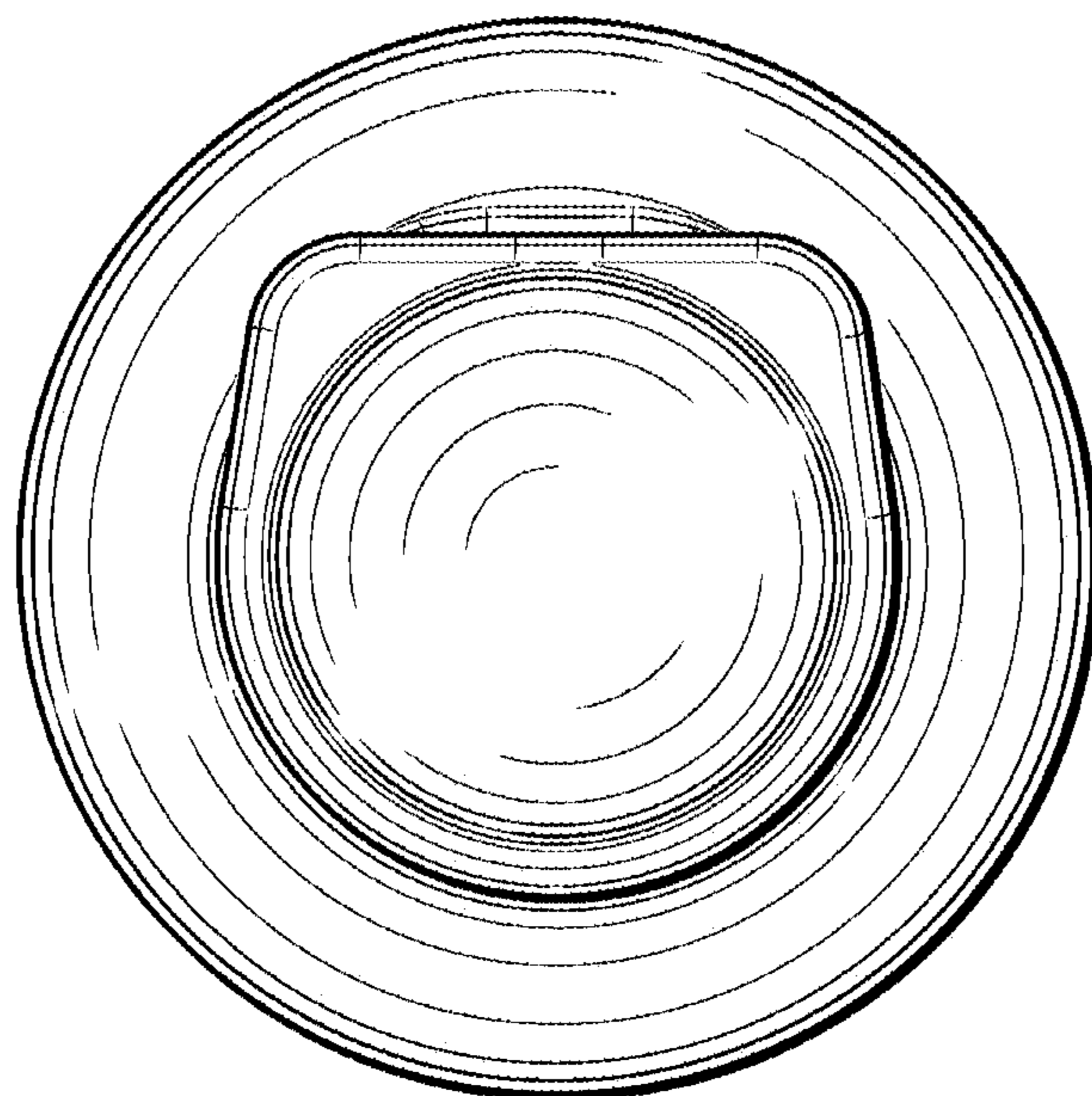


FIG. 8