

US00D962769S

(12) **United States Design Patent** (10) **Patent No.:** **US D962,769 S**
Mellen (45) **Date of Patent:** **** Sep. 6, 2022**

(54) **TAPERED INTEGRAL HANDLE PRE-FORM**

(56)

References Cited

(71) Applicant: **INTEGRATED PLASTICS PTY LIMITED**, Villawood (AU)

(72) Inventor: **Nick Mellen**, Villawood (AU)

(73) Assignee: **INTEGRATED PLASTICS PTY LIMITED**, Villawood (AU)

(**) Term: **15 Years**

(21) Appl. No.: **29/778,066**

(22) Filed: **Apr. 9, 2021**

U.S. PATENT DOCUMENTS

3,191,819 A *	6/1965	Smith	A47J 45/077
				222/465.1
D201,580 S *	7/1965	Dike	B29C 49/06
				D9/560
D215,748 S *	10/1969	Wallace	D7/622
D232,614 S *	9/1974	Brown	D7/622
D330,662 S *	11/1992	Nuno	294/33
5,505,330 A *	4/1996	Nunes	A47G 23/0266
				220/742
D427,909 S	7/2000	Doritty		
D445,030 S	7/2001	Croft		
D449,993 S *	11/2001	Schumann	B29C 49/42069
				D9/531
D462,879 S *	9/2002	Martens	D7/622
D511,684 S *	11/2005	Guyot	D9/443
D587,118 S	2/2009	Sadiq		
7,527,310 B2 *	5/2009	Shaskey, Sr.	B65D 23/106
				215/396
D605,517 S	12/2009	Caldwell		

Related U.S. Application Data

(62) Division of application No. 29/664,253, filed on Sep. 24, 2018, now Pat. No. Des. 915,891.

Foreign Application Priority Data

Mar. 23, 2018 (AU) 201811807

(51) **LOC (13) Cl.** **09-01**

(52) **U.S. Cl.**
USPC **D9/516; D9/531; D7/394**

(58) **Field of Classification Search**
USPC D9/553, 530, 539, 540, 523, 560, 563,
D9/549, 738, 500, 501, 428, 429, 565,
D9/575, 529, 531, 521, 552, 516, 527,
D9/528, 443; D7/509, 510, 511, 523,
D7/605, 603, 608, 622, 318, 533, 543,
D7/394; D24/121; D11/143
CPC B65D 1/0223; B65D 79/005; B65D
2501/0081; B65D 23/102; B65D
2501/0036

See application file for complete search history.

(Continued)

Primary Examiner — Brett Miller

Assistant Examiner — Rani J Abdallah

(74) *Attorney, Agent, or Firm* — Ladas & Parry LLP

(57)

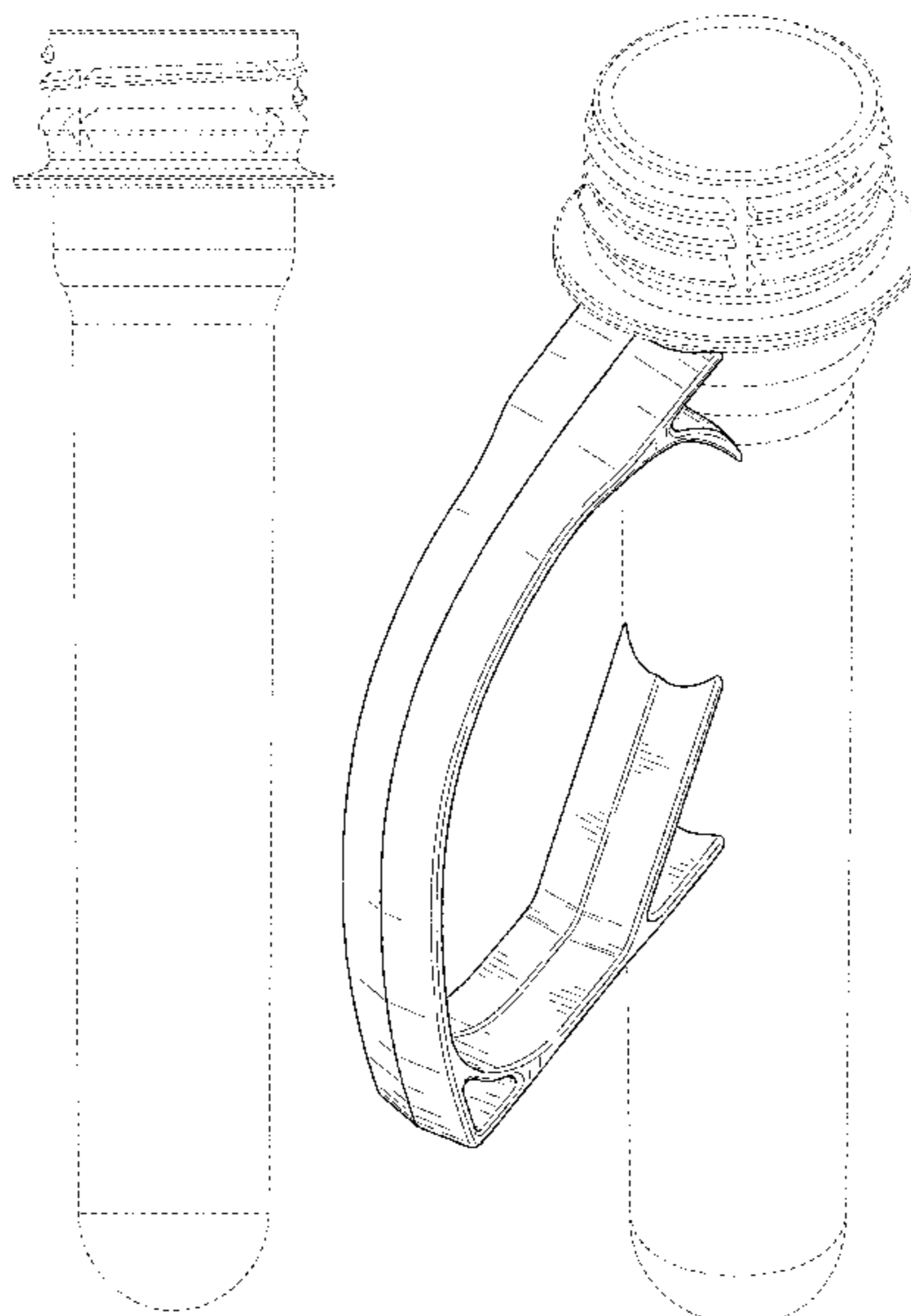
CLAIM

I claim the ornamental design for a tapered integral handle pre-form, as shown and described.

DESCRIPTION

FIG. 1 is a front elevational view of my new design for a tapered integral handle pre-form;
FIG. 2 is a perspective view thereof;
FIG. 3 is a rear elevational view thereof;
FIG. 4 is a left side elevational view thereof;
FIG. 5 is a right side elevational view thereof;
FIG. 6 is a top plan view thereof; and,
FIG. 7 is a bottom plan view thereof.
The broken lines shown in the drawings represent unclaimed portions of the design.

1 Claim, 6 Drawing Sheets



(56)

References Cited

U.S. PATENT DOCUMENTS

D607,731 S 1/2010 Soliman
 D626,414 S 11/2010 Cresswell
 D629,689 S 12/2010 Cresswell
 D629,690 S 12/2010 Cresswell
 D633,794 S 3/2011 Cresswell
 D633,795 S 3/2011 Cresswell
 D633,796 S 3/2011 Cresswell
 D649,402 S 11/2011 Gilbert
 D651,853 S 1/2012 Eyal
 D652,682 S 1/2012 Eyal
 D658,944 S 5/2012 Gilbert
 D669,737 S 10/2012 Nemeth
 D706,582 S 6/2014 Oas
 8,757,425 B2* 6/2014 Copeland A47G 19/2272
 220/713
 D729,583 S 5/2015 Lapsker
 D729,584 S 5/2015 Weston
 D740,676 S 10/2015 Brown
 D746,634 S 1/2016 Lapsker
 D761,624 S 7/2016 Mclean
 D762,119 S* 7/2016 Thibodeau A47G 19/2272
 D9/530
 D784,775 S 4/2017 Seiders
 D791,549 S 7/2017 Goodwin
 D792,742 S 7/2017 Meyers
 D794,397 S 8/2017 Seiders
 D798,664 S 10/2017 Kristinik
 D799,906 S 10/2017 Seiders
 D799,907 S 10/2017 Seiders
 D801,814 S 11/2017 Liu
 D805,852 S 12/2017 Seiders
 D808,810 S 1/2018 Rajesh
 D810,510 S 2/2018 Serruya

D812,986 S* 3/2018 Seiders B65D 23/106
 D7/622
 D822,489 S 7/2018 Bischoff
 D841,473 S 2/2019 Omdahl, II
 D841,474 S 2/2019 Omdahl
 D842,116 S 3/2019 Mellen
 D842,701 S 3/2019 Suga
 D843,216 S 3/2019 Suga
 D846,354 S 4/2019 Omdahl
 D860,800 S 9/2019 Hao
 D876,173 S 2/2020 Kotani
 D876,895 S 3/2020 McCready
 D879,559 S 3/2020 Lowette
 D881,015 S* 4/2020 Thibodeau B65D 23/106
 D9/531
 D883,041 S 5/2020 Park
 D885,923 S 6/2020 Omdahl
 D887,846 S* 6/2020 Thibodeau A47G 23/0266
 D9/531
 D888,578 S 6/2020 Chupak
 D900,614 S* 11/2020 Lee D9/531
 D915,209 S* 4/2021 Kobayashi D9/531
 D915,891 S* 4/2021 Mellen D9/531
 D926,581 S* 8/2021 Thibodeau D9/516
 11,104,055 B2* 8/2021 Mellen B65D 23/10
 2002/0039609 A1 4/2002 Bezek
 2008/0047924 A1 2/2008 Coats
 2013/0330490 A1 12/2013 Calello
 2014/0225315 A1* 8/2014 Ogihara B29C 49/20
 264/516
 2015/0044620 A1* 2/2015 Beale B65G 17/005
 432/124
 2016/0250795 A1 9/2016 Knight
 2017/0305640 A1 10/2017 Thompson
 2017/0326779 A1 11/2017 Toyoda
 2018/0194059 A1 7/2018 Hirayama
 2021/0370575 A1* 12/2021 Mellen B29C 49/12

* cited by examiner

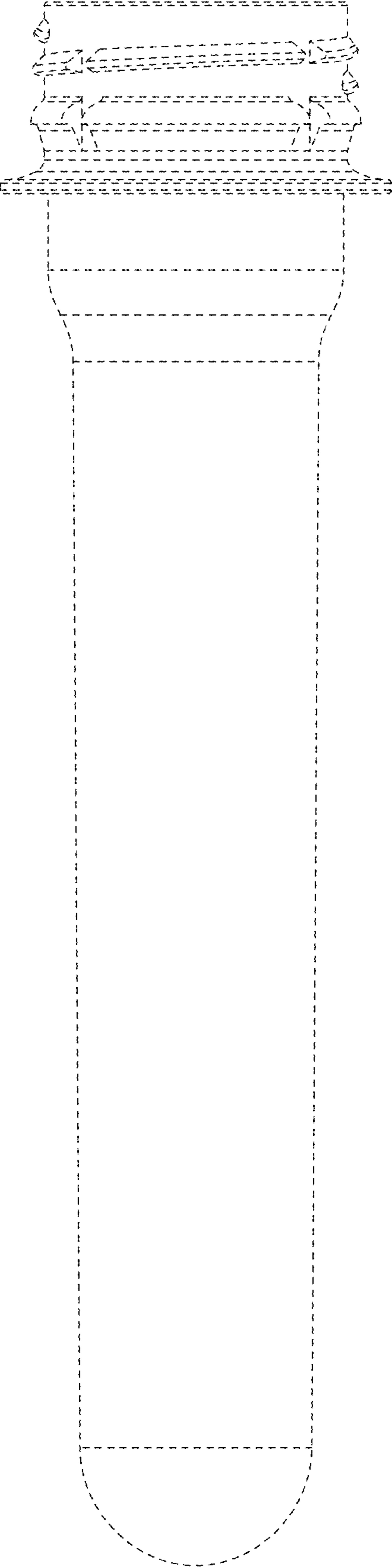


Figure 1

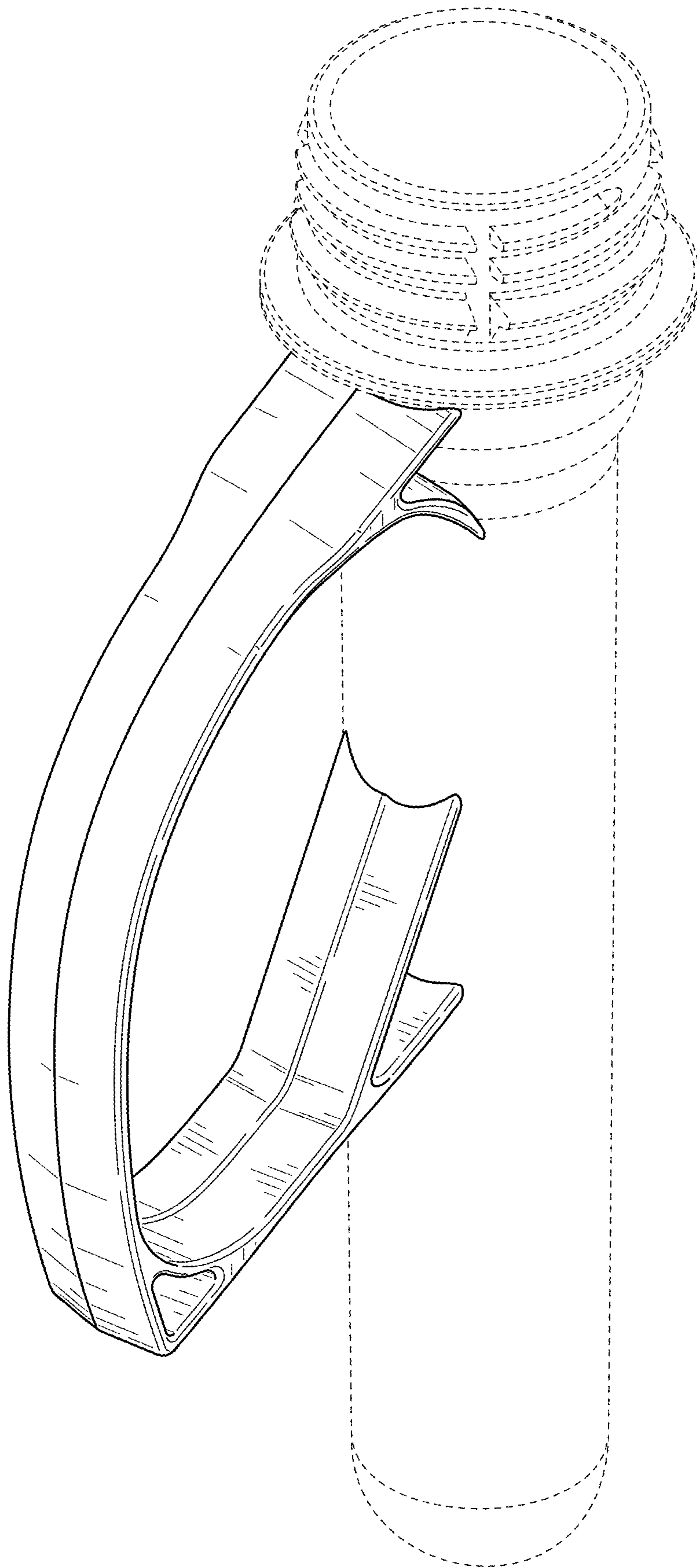


Figure 2

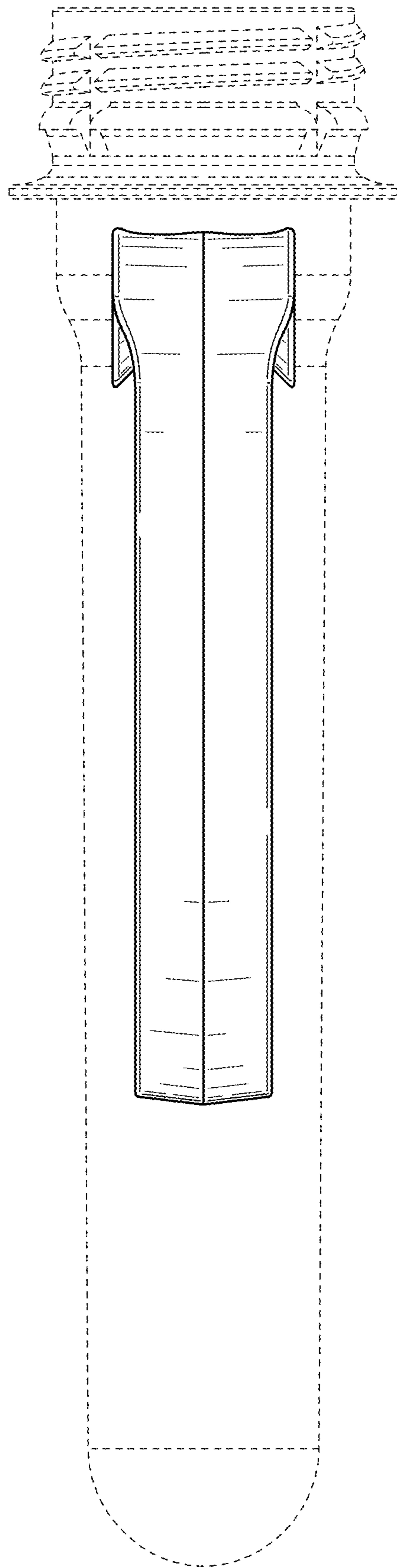


Figure 3

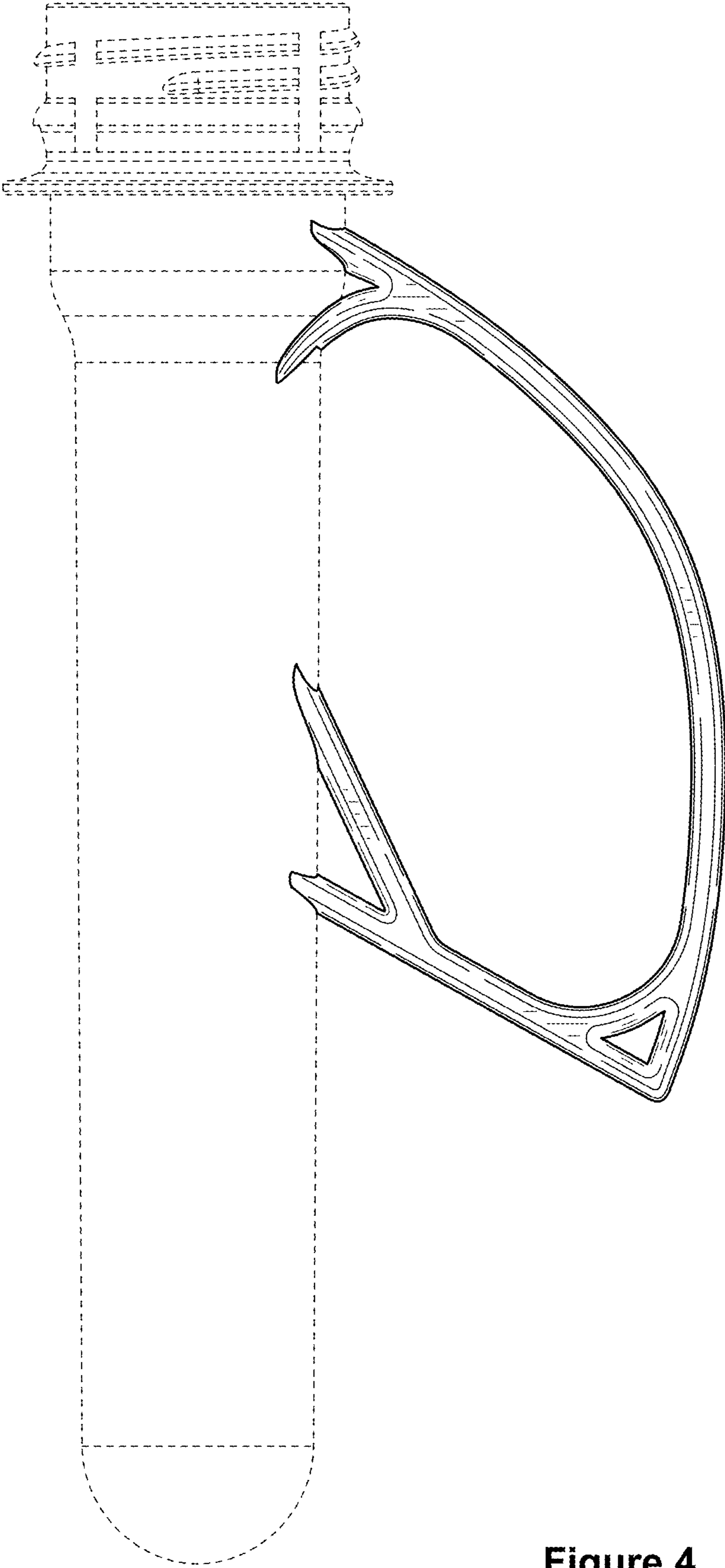


Figure 4

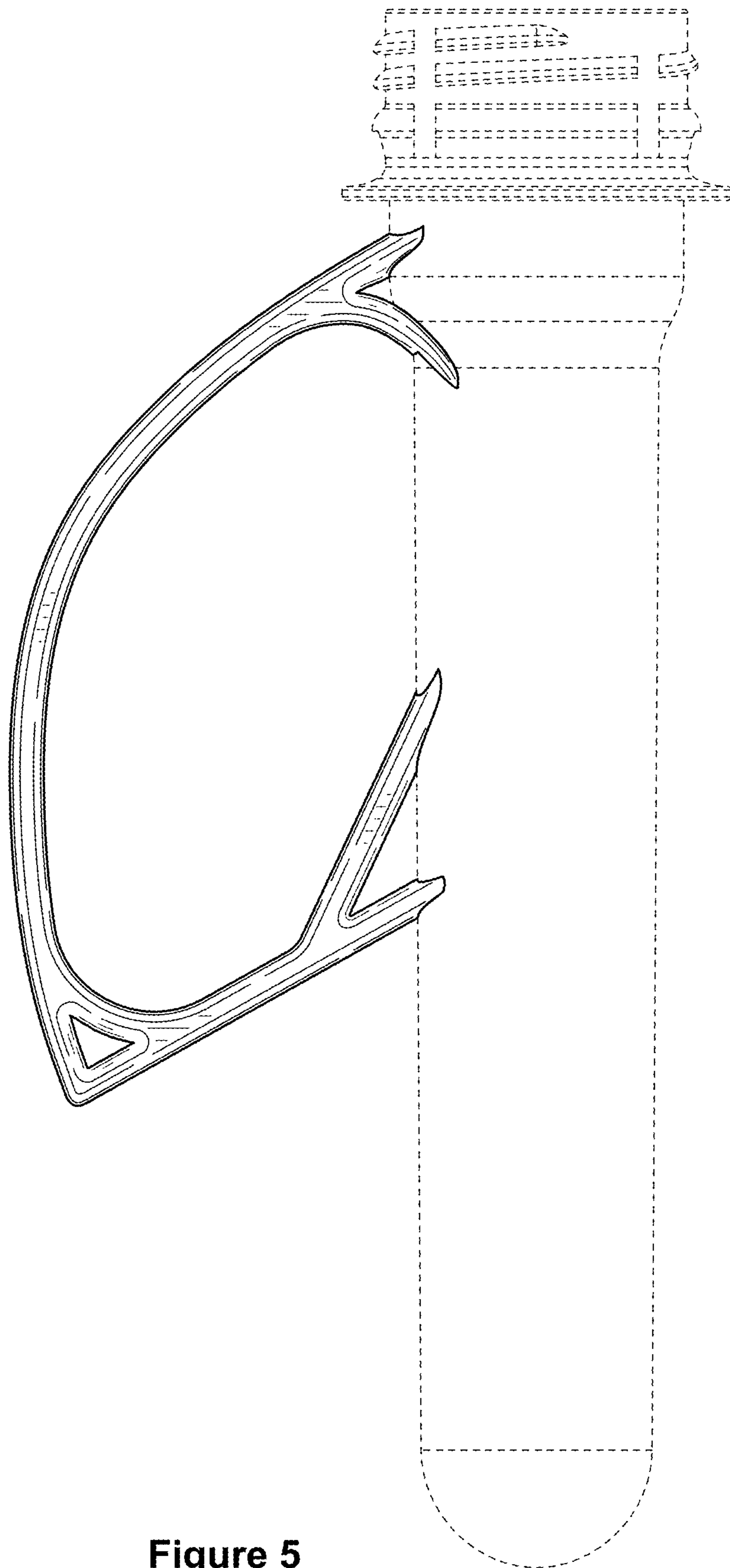


Figure 5

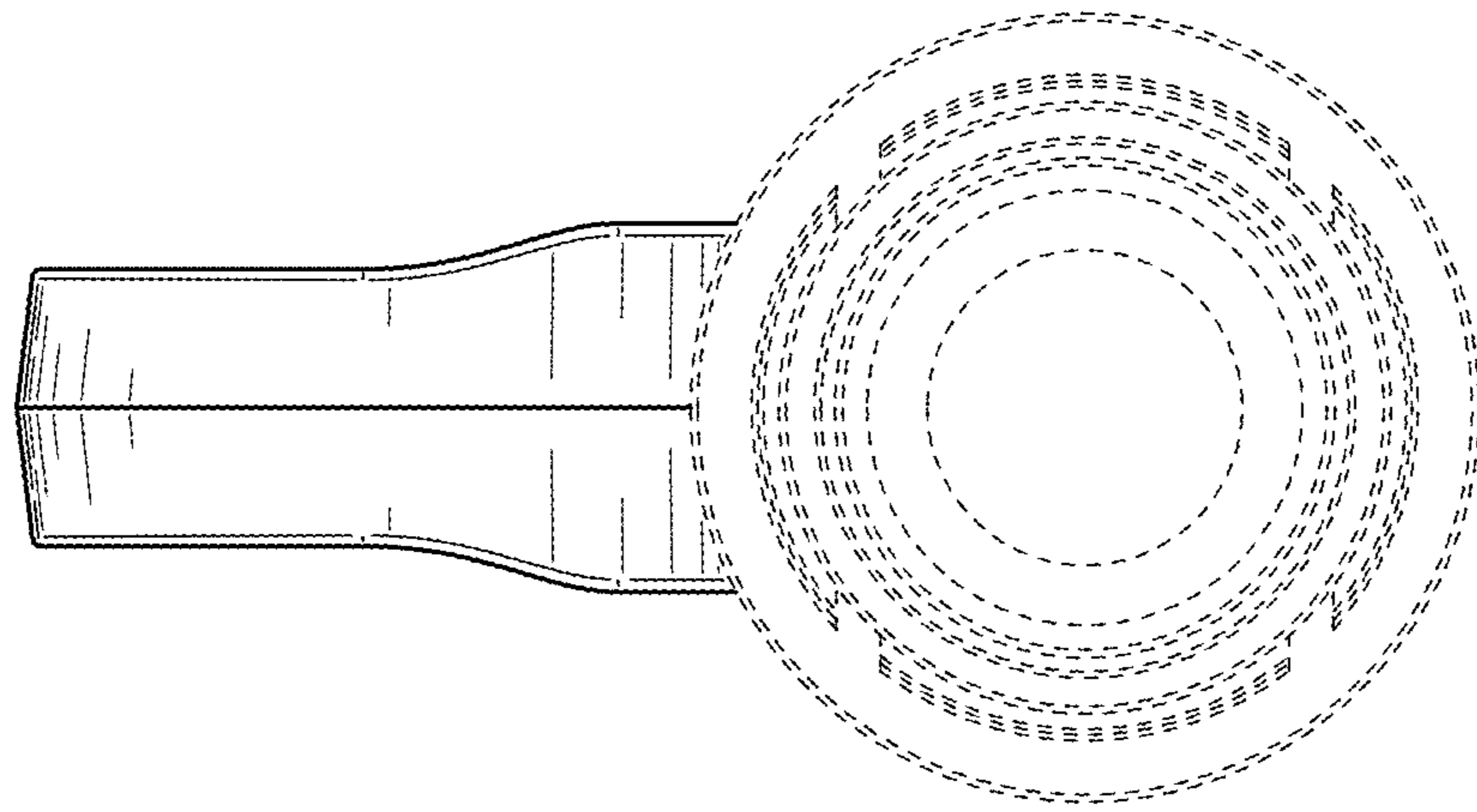


Figure 6

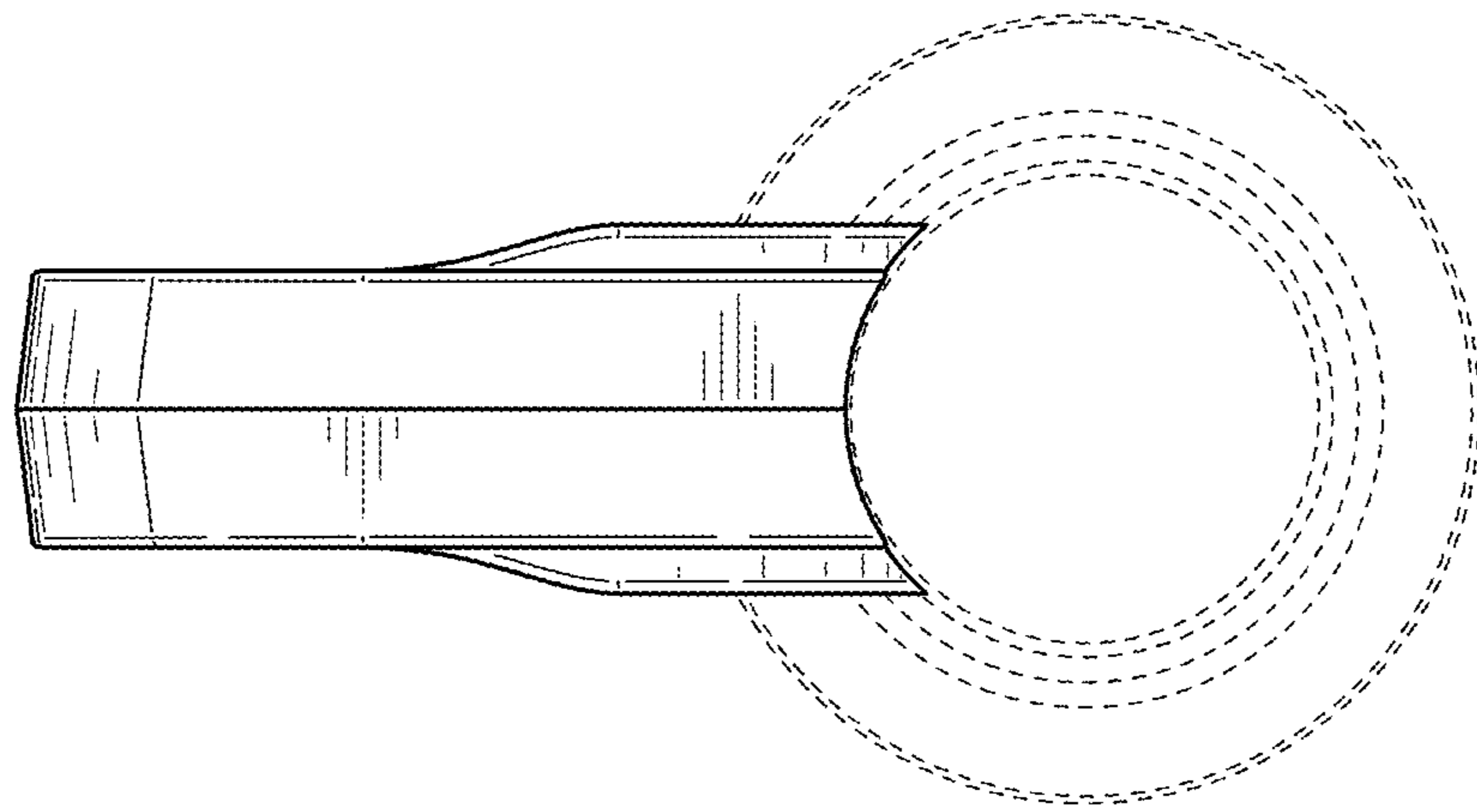


Figure 7