



US00D962768S

(12) **United States Design Patent**
Bing et al.

(10) **Patent No.: US D962,768 S**

(45) **Date of Patent: ** Sep. 6, 2022**

(54) **CONTAINER**

(71) Applicant: **Cintas Corporate Services, Inc.**,
Cincinnati, OH (US)

(72) Inventors: **Richard R. Bing**, West Chester, OH
(US); **Megan Kathryn Helms**,
Hamilton, OH (US); **David Steven
Mesko**, Wyoming, OH (US); **Michael
E. Berger**, Brooklyn, NY (US); **Adem
Önalán**, Jersey City, NJ (US); **Marco
C. Perry**, Brooklyn, NY (US)

(73) Assignee: **Cintas Corporate Services, Inc.**,
Cincinnati, OH (US)

(**) Term: **15 Years**

(21) Appl. No.: **29/755,403**

(22) Filed: **Oct. 20, 2020**

(51) **LOC (13) Cl.** **09-01**

(52) **U.S. Cl.**

USPC **D9/516**; D9/520; D9/548; D9/575

(58) **Field of Classification Search**

USPC D9/500–505, 529, 547, 548, 549, 550,
D9/556, 557, 558, 573, 575, 428, 445,
D9/518, 551, 563, 564, 520, 691,
D9/739–739, 743–747, 516; D3/203.2;
D7/510–511

CPC .. B65D 1/0223; B65D 83/205; B65D 1/0246;
B65D 23/001; A45D 34/045; B67D 5/64

See application file for complete search history.

(56) **References Cited**

U.S. PATENT DOCUMENTS

231,597 A	8/1880	Matthews	
2,319,233 A	5/1943	Hoppe	
2,837,245 A	6/1958	Grebowiec	
3,278,086 A	10/1966	Clouzeau et al.	
D244,256 S *	5/1977	Dekker	D9/745
D274,887 S *	7/1984	Ryder	D9/556

D275,368 S *	9/1984	du Chambon	D9/520
D278,514 S *	4/1985	Moore	D9/503
D308,630 S *	6/1990	Cochran	D9/558
D313,176 S *	12/1990	Okuda	D9/560

(Continued)

FOREIGN PATENT DOCUMENTS

KR 301031895.0000 * 11/2019

OTHER PUBLICATIONS

Horsleys, Mar. 28, 2017, airline-suppliers.com, URL:https://www.airline-suppliers.com/supplier-press-release/meet-horsleys-world-travel-catering-onboard-services-expo-2017-april/ (Year: 2017).*

Primary Examiner — Brett Miller

Assistant Examiner — Rani J Abdallah

(74) *Attorney, Agent, or Firm* — Wood Herron & Evans LLP

(57) **CLAIM**

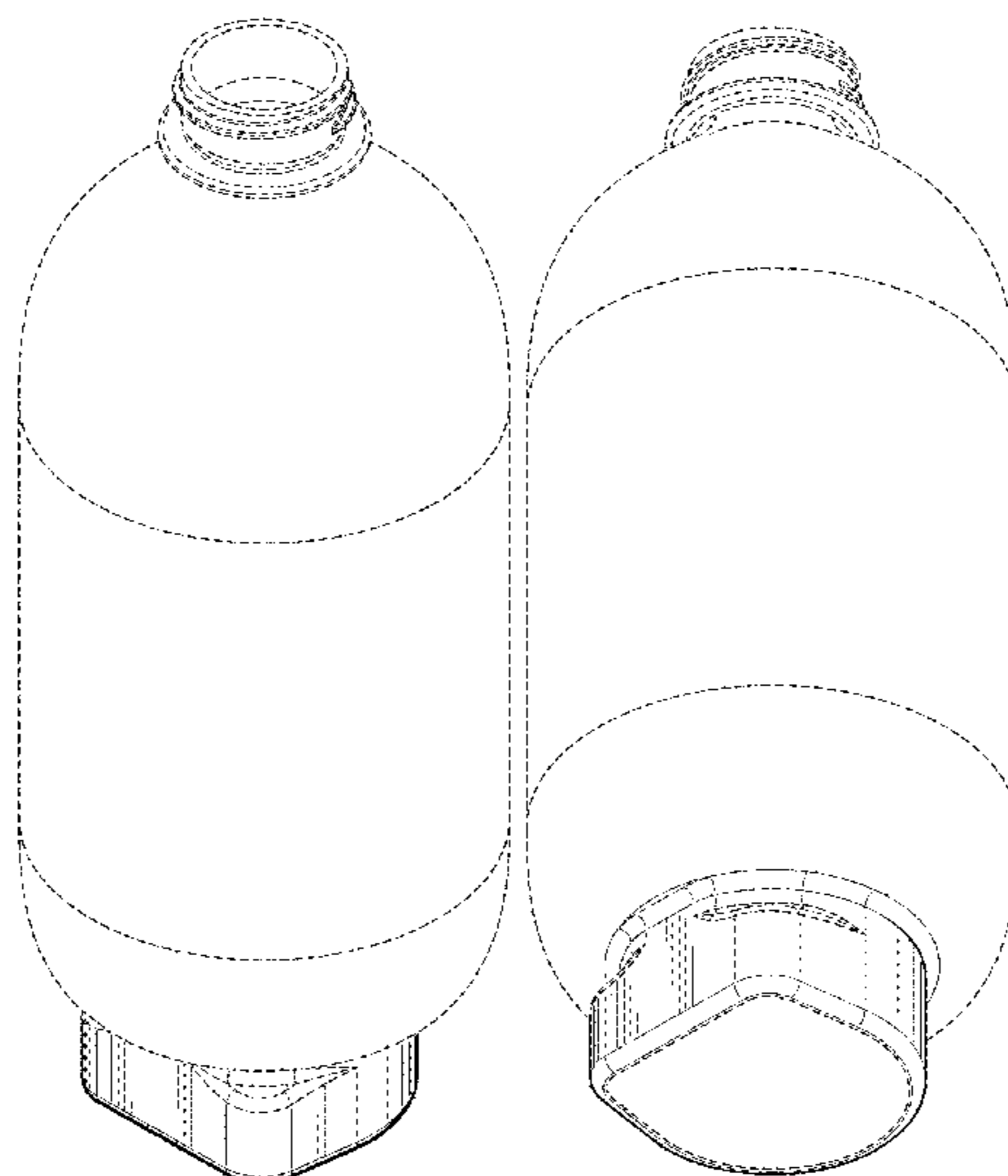
An ornamental design for a container, as shown and described.

DESCRIPTION

FIG. 1 is a front top perspective view of a container according to our new design;
FIG. 2 is a front bottom perspective view thereof;
FIG. 3 is a front view thereof;
FIG. 4 is a left side view thereof;
FIG. 5 is right side view thereof;
FIG. 6 is rear view thereof; and,
FIG. 7 is a bottom view thereof.

Elements or portions of the design shown in broken lines show non-claimed aspects of the invention. Neither the broken lines themselves nor the portions represented by the broken lines form any part of the claimed invention. The invention is shown with a symbolic break in its height. The appearance of any portion of the invention between the break lines forms no part of the claimed design.

1 Claim, 7 Drawing Sheets



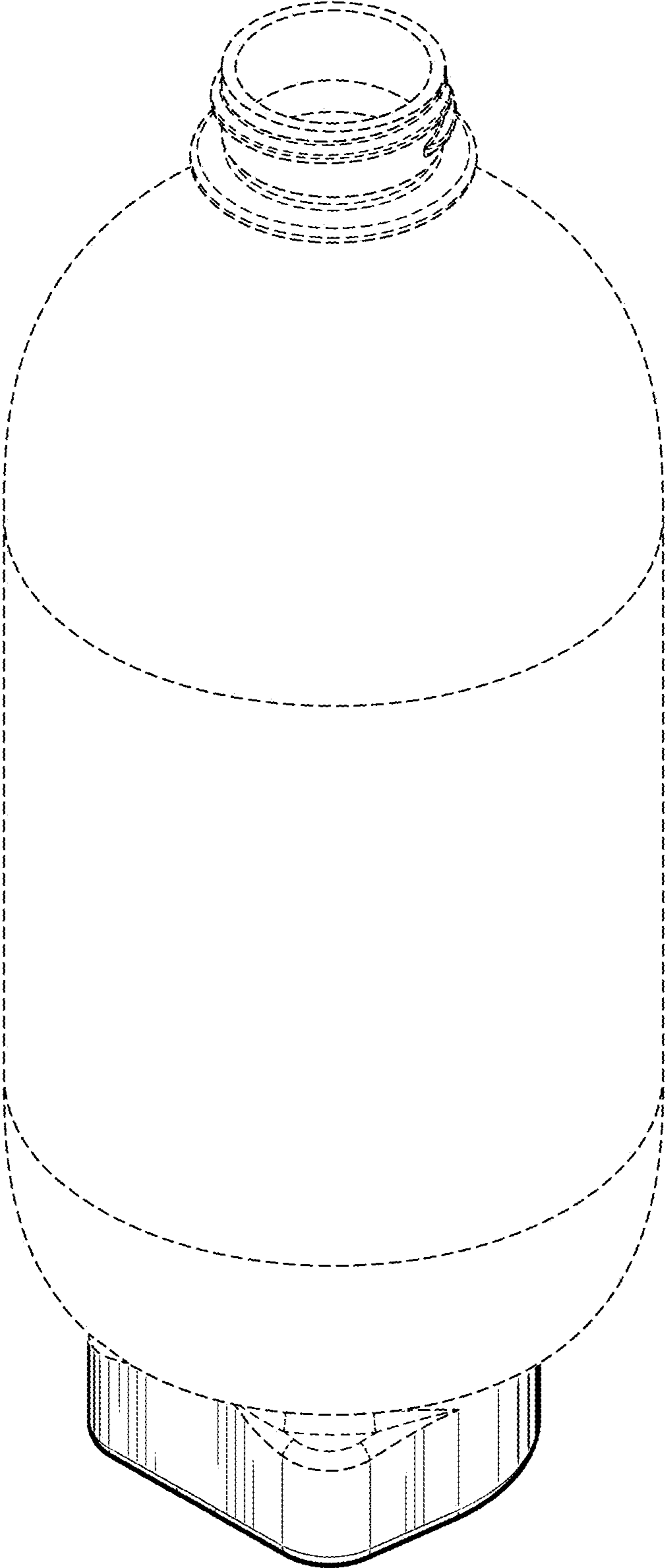


FIG. 1

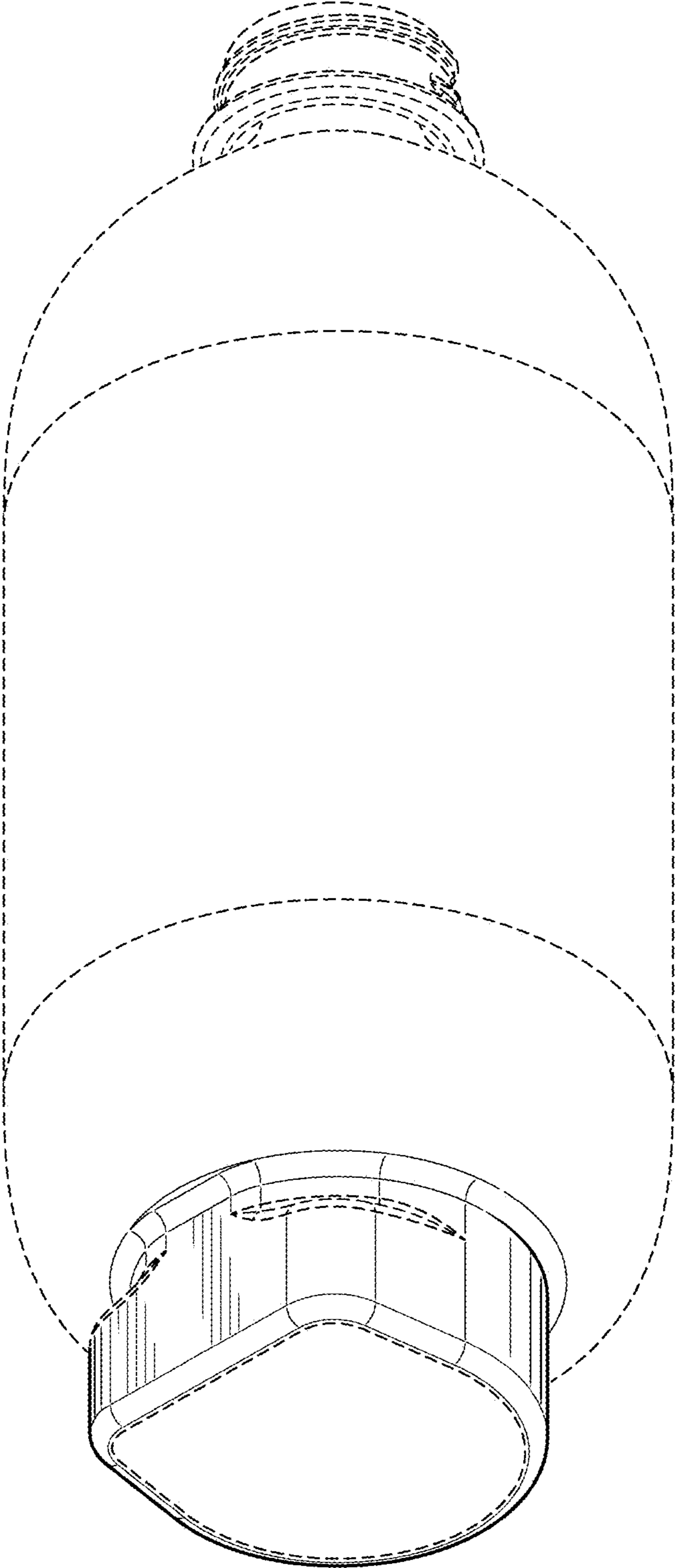


FIG. 2

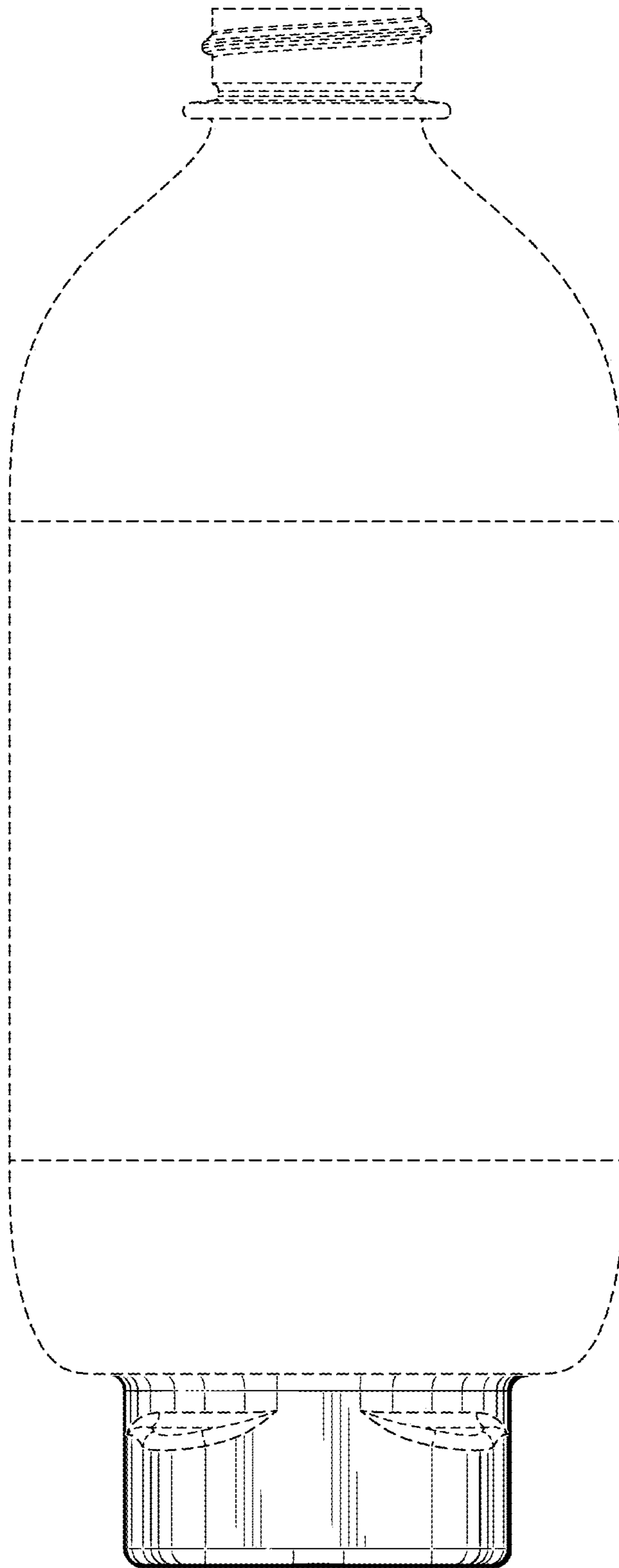


FIG. 3

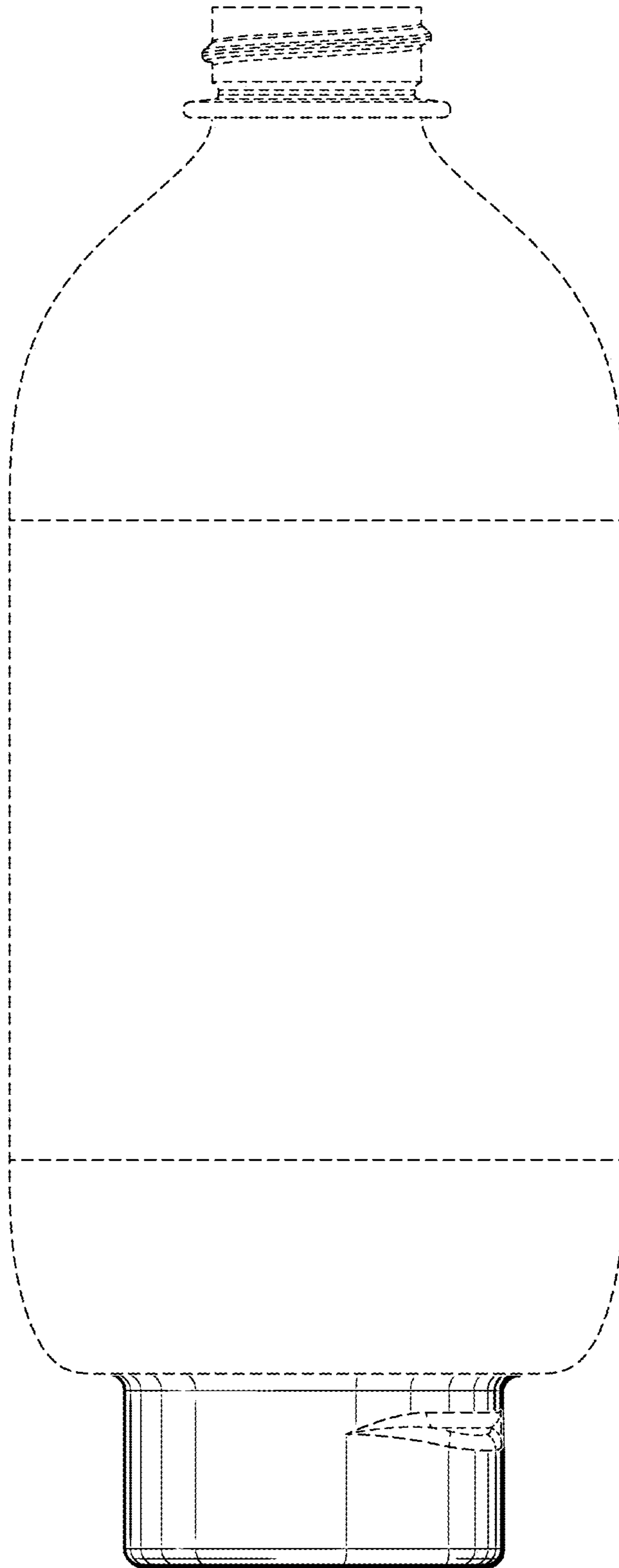


FIG. 4

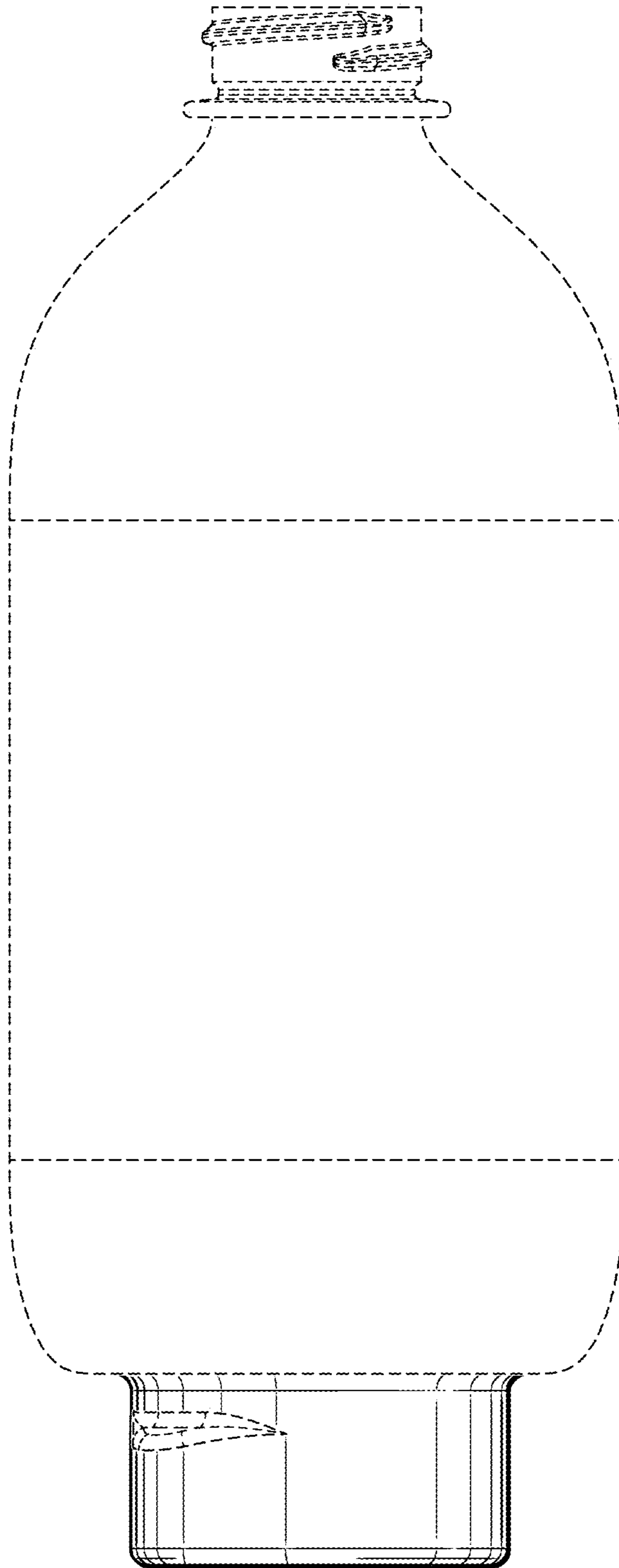


FIG. 5

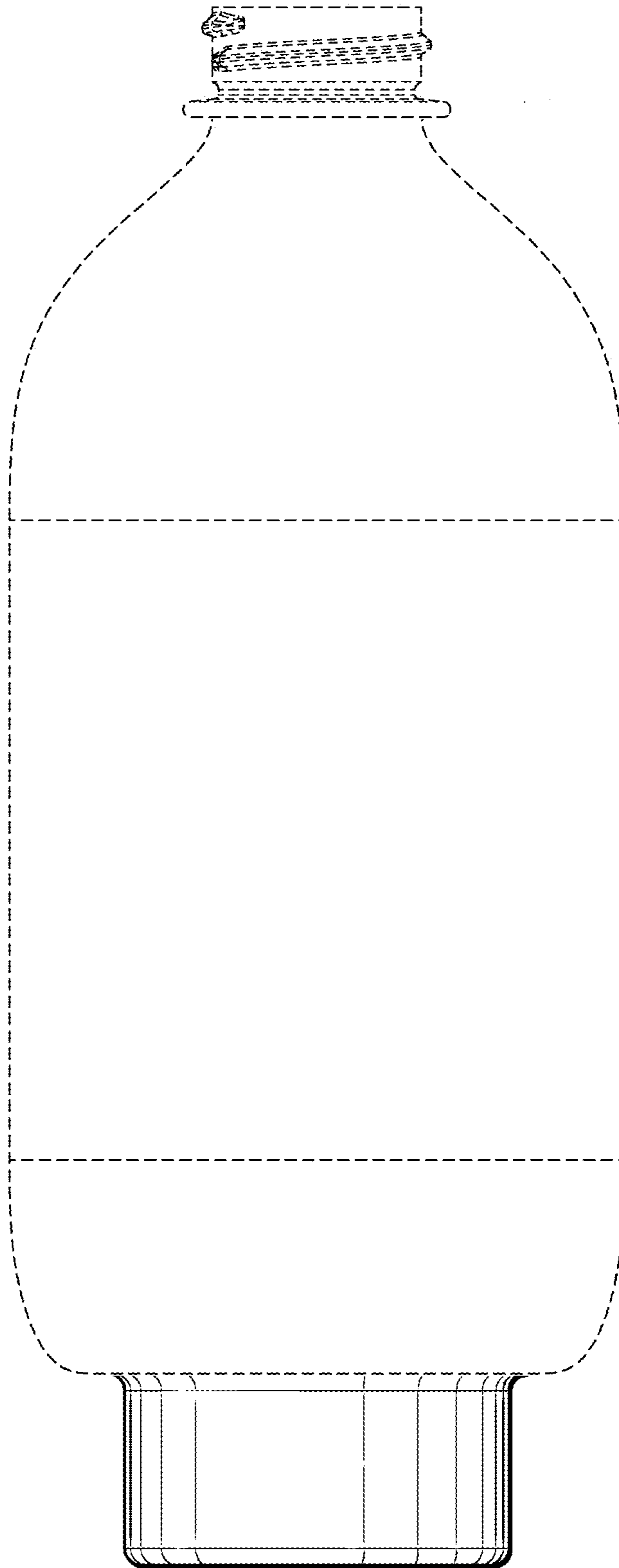


FIG. 6

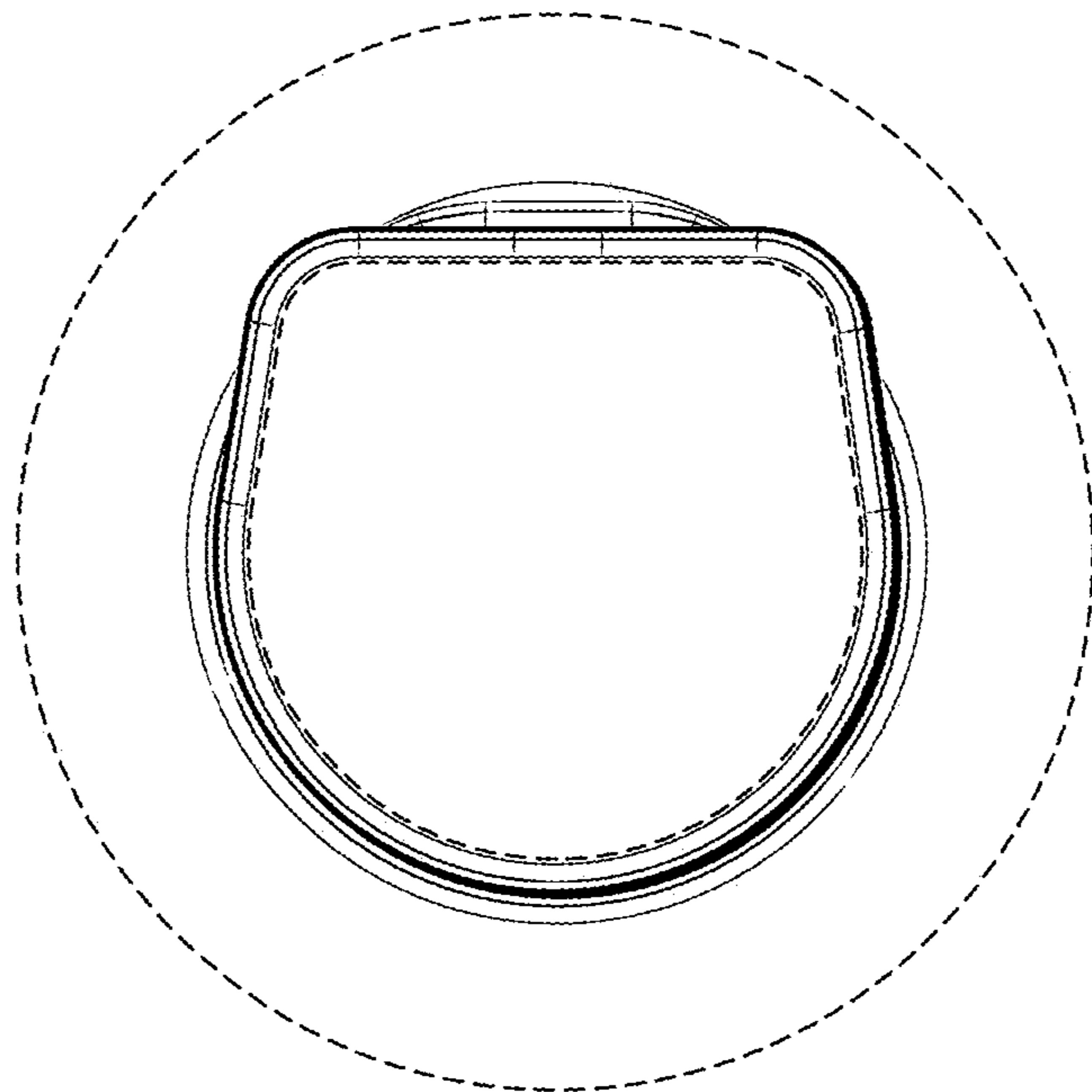


FIG. 7