



US00D962767S

(12) **United States Design Patent**
Lupberger et al.

(10) **Patent No.:** **US D962,767 S**

(45) **Date of Patent:** **** Sep. 6, 2022**

(54) **PLANT BASED CAP ASSEMBLY FOR SOAP CARTON**

(71) Applicant: **BOCKS INC.**, New York, NY (US)

(72) Inventors: **Ryan Lupberger**, New York, NY (US);
Arianne Perry, New York, NY (US);
Rodney Moreh, Los Angeles, CA (US)

(73) Assignee: **Bocks Inc**, New York, NY (US)

(**) Term: **15 Years**

(21) Appl. No.: **29/743,788**

(22) Filed: **Jul. 24, 2020**

(51) **LOC (13) Cl.** **09-07**

(52) **U.S. Cl.**
USPC **D9/453; D9/451**

(58) **Field of Classification Search**
USPC D9/417, 434, 435, 439, 440, 445, 447,
D9/450, 452, 453, 454, 499, 682, 686,
D9/688, 690, 529, 556, 724, 436, 441,
D9/443, 449, 451, 600, 649, 717;
D28/99; D7/300, 312, 392.1, 601, 602,
D7/619.2, 629, 635, 900, 396.2;
D24/110, 121; D23/261; D8/312;
D14/217; D12/197

CPC B65D 23/12; B65D 51/16; B65D 51/18;
B65D 1/02; A62C 31/02

See application file for complete search history.

(56) **References Cited**

U.S. PATENT DOCUMENTS

D51,893 S * 3/1918 Temple B65D 50/041
D9/454
1,495,722 A 5/1924 Anderson
3,472,411 A * 10/1969 Turner B65D 50/041
D9/434
4,136,796 A * 1/1979 Dubois B65D 51/1616
220/373

D315,507 S * 3/1991 Ochs D9/453
D319,979 S * 9/1991 Johnson D9/434
D401,855 S * 12/1998 Nilssen D9/454
D433,149 S * 10/2000 Fassbind D24/223
D456,257 S * 4/2002 Bakic D9/454
D458,138 S 6/2002 Fuchs
D481,948 S * 11/2003 Brozell D9/453
6,677,397 B1 1/2004 Baranowski

(Continued)

OTHER PUBLICATIONS

Amazon. Cleancult Liquid Hand Soap Refill, Lavender. Review by Elle B. posted Feb. 13, 2021. Visited May 12, 2022. <https://www.amazon.com/Cleancult-Liquid-Hand-Refill-Lavender/dp/B083ZNPR1F?th=1> (Year: 2021).*

(Continued)

Primary Examiner — Darcey E Gottschalk

Assistant Examiner — Vanessa M. Pursley

(74) *Attorney, Agent, or Firm* — Ignacio Bellver

(57) **CLAIM**

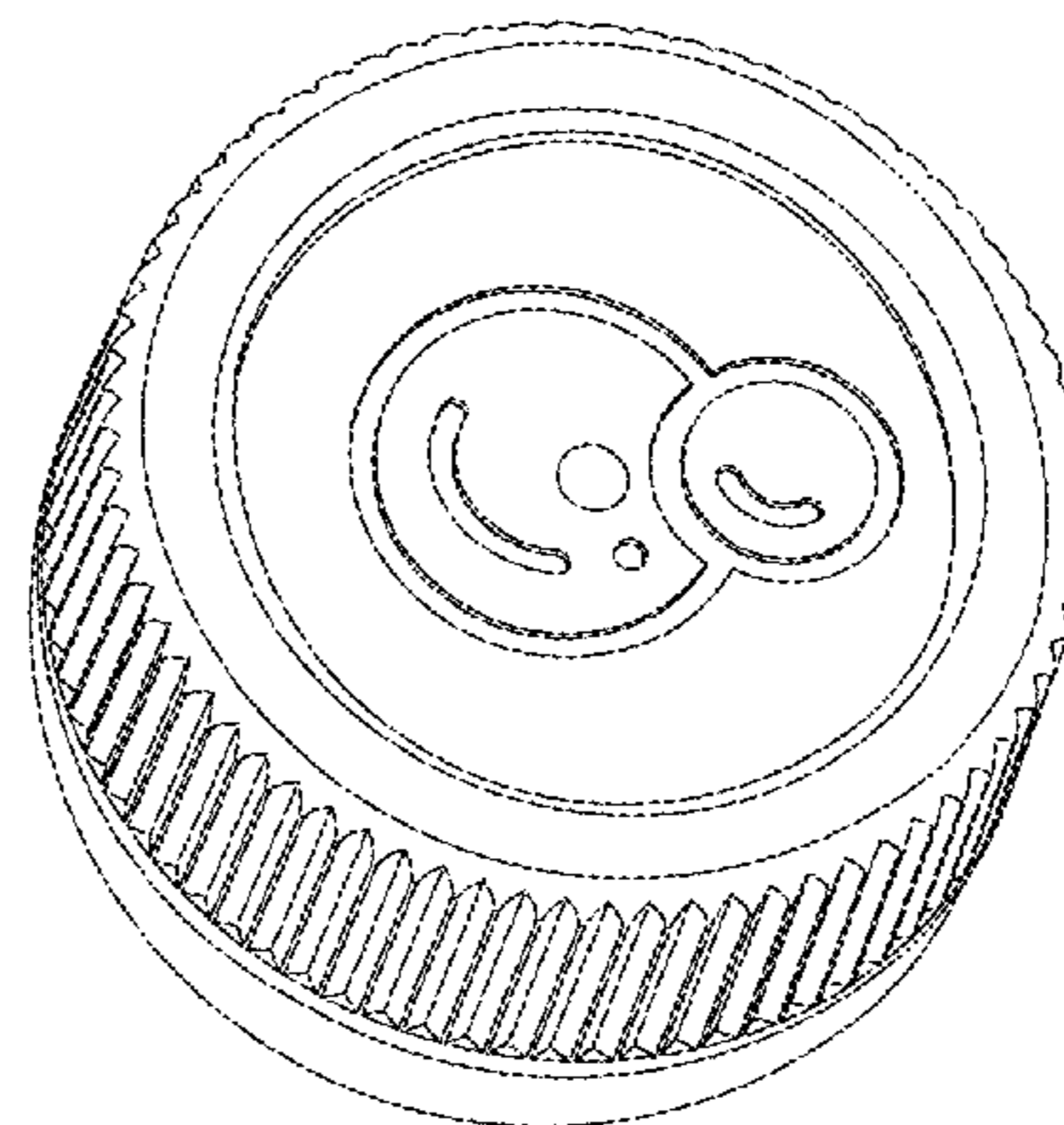
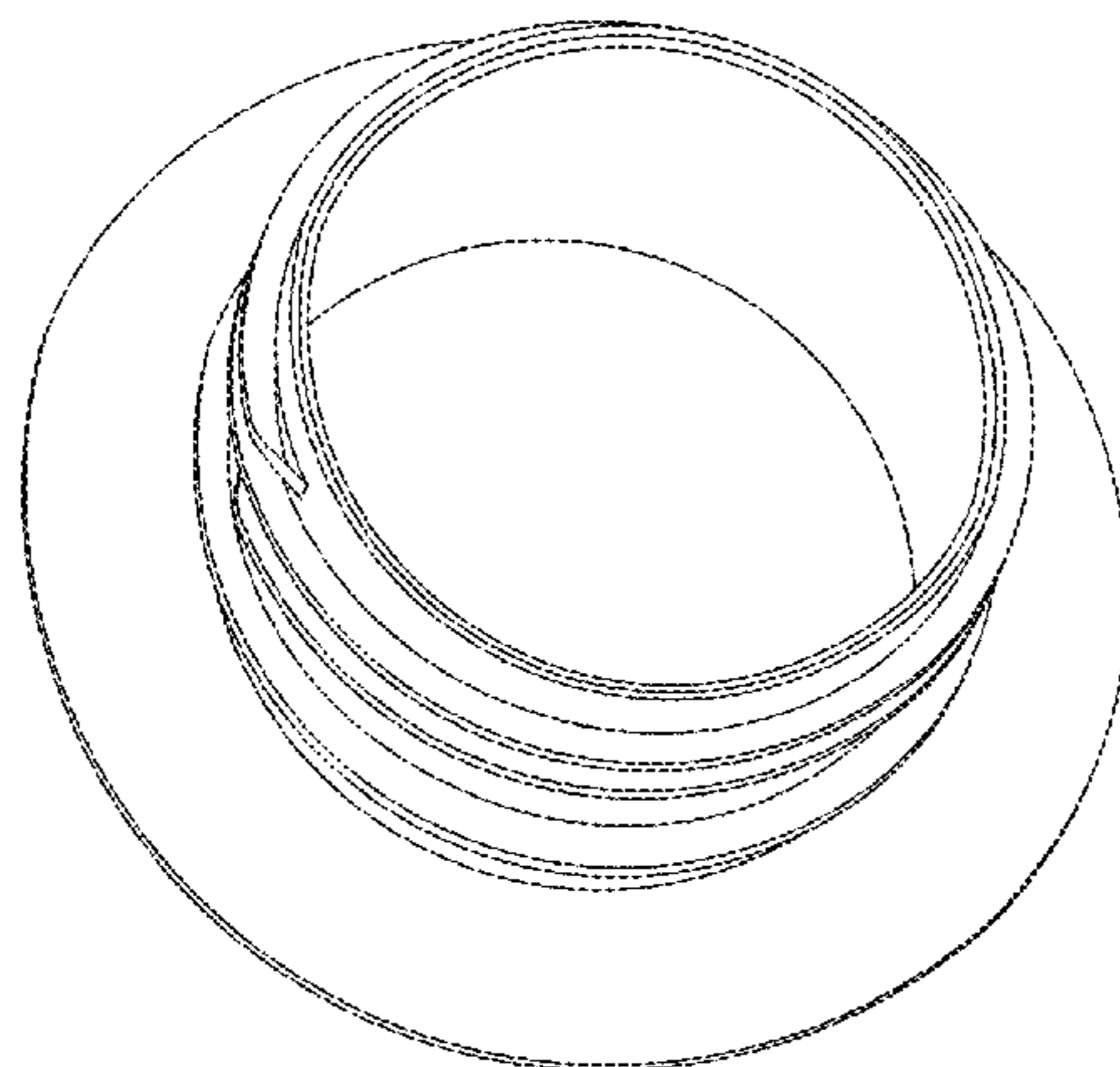
The ornamental design for a plant based cap assembly for soap carton, as shown and described.

DESCRIPTION

FIG. 1 is a top right perspective view of a plant based cap assembly for soap carton showing the new design; FIG. 2 is a top plain view thereof; FIG. 3 is a front plain view thereof; FIG. 4 is a left side plain view thereof; FIG. 5 is a bottom plain view thereof; FIG. 6 is a cross sectional view of the plant based cap assembly for soap carton, taken along lines 6-6 of FIG. 2; FIG. 7 is a bottom left perspective view thereof; and, FIG. 8 is an exploded perspective view our plant based cap assembly for soap carton design.

In FIG. 2, the broken line arrows represent a sectional designation that forms no part of the claim.

1 Claim, 8 Drawing Sheets



(56)

References Cited

U.S. PATENT DOCUMENTS

6,851,565 B2 * 2/2005 Stephan A61J 11/04
215/11.1
6,964,346 B1 11/2005 Taber
D586,213 S * 2/2009 Wells D9/453
D606,864 S * 12/2009 Robinson D9/453
D627,637 S * 11/2010 Kallenbach D9/449
D632,958 S 2/2011 Fuchs
D634,200 S 3/2011 Taber
D666,495 S * 9/2012 Biesecker D9/453
D671,834 S 12/2012 Chasteen
D673,852 S * 1/2013 Wood D9/453
D687,299 S 8/2013 Peykoff
D694,110 S * 11/2013 Tanner D9/453
D714,147 S 9/2014 Lindstrom, Sr.
D726,006 S * 4/2015 Rapparini D9/434
D753,488 S * 4/2016 Escobar D9/445
D762,115 S 7/2016 Corvaglia
D763,691 S * 8/2016 Marantis D9/434
D773,933 S * 12/2016 Benyavskiy D9/454
D778,160 S 2/2017 Orset
D781,151 S 3/2017 Lerman
D781,706 S * 3/2017 Kotyuk D9/454
D789,201 S 6/2017 Yu
D799,961 S 10/2017 Yu
D811,877 S 3/2018 Yu
D828,085 S * 9/2018 Baron D7/392.1
D836,439 S * 12/2018 Tran D9/453
D836,442 S 12/2018 Wood
D842,700 S 3/2019 Blomberg
D848,844 S 5/2019 Byron
D856,070 S * 8/2019 Baron D7/392.1
D857,497 S * 8/2019 Stammen D9/434

D863,963 S 10/2019 Berroa Garcia
D867,884 S 11/2019 Byron
D869,274 S 12/2019 Kim
D871,905 S 1/2020 Kim
D874,276 S 2/2020 Byron
D885,896 S 6/2020 Edie
D885,899 S * 6/2020 Edie D9/452
D885,902 S 6/2020 Berroa Garcia
D885,904 S 6/2020 Kim
D886,607 S 6/2020 Edie
D886,635 S 6/2020 Kilduff
D900,313 S * 10/2020 Chen D24/121
D909,871 S * 2/2021 Enemark D9/453
D920,106 S * 5/2021 Partsch, IV D9/453
D932,895 S * 10/2021 Duffy D9/454
D942,035 S * 1/2022 Suarez del Real Pena . D24/216

OTHER PUBLICATIONS

Cleancult. Liquid Dish Soap Refill. Publication date unavailable. Visited May 12, 2022. <https://www.cleancult.com/products/dish-soap-refill-lemongrass-32oz> (Year: 0).*

Youtube. Let's Clean Up Cleaning. Published Sep. 5, 2019 by "cleancult". Visited May 12, 2022. <https://www.youtube.com/watch?v=SolahQYtQRg> (Year: 2019).*

NicePNG. Bubble White Background Pics—Liberty Marketing Logo. Publication date unavailable. Visited May 12, 2022. https://www.nicepng.com/ourpic/u2q8r5u2q8w7i1y3_bubble-white-background-pics-liberty-marketing-logo/ (Year: 0).*

Creative Fabrica. Bubble. Publication date unavailable. Visited May 12, 2022. <https://www.creativefabrica.com/product/bubble-2/> (Year: 0).*

* cited by examiner

FIG. 1

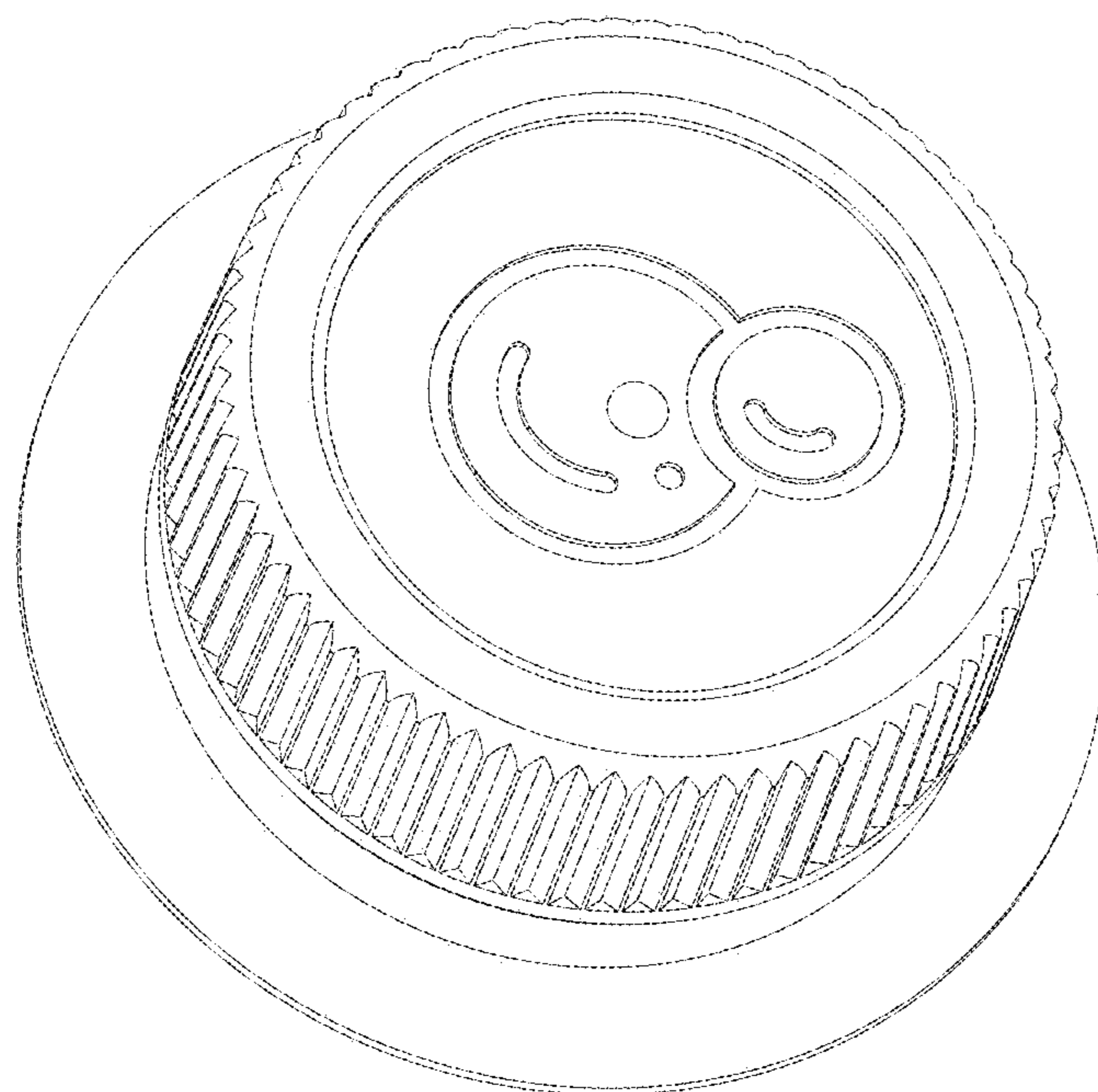


FIG. 2

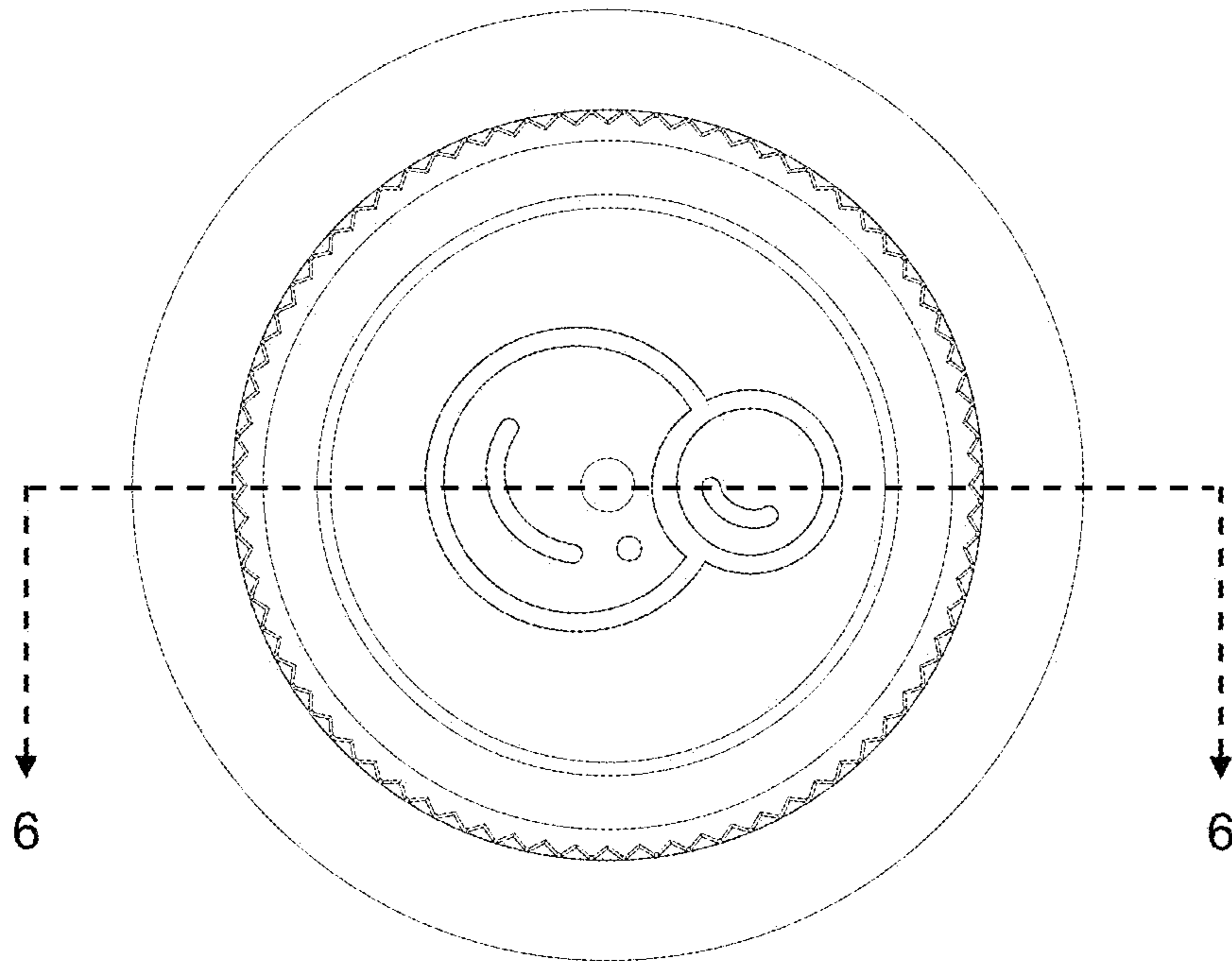


FIG. 3

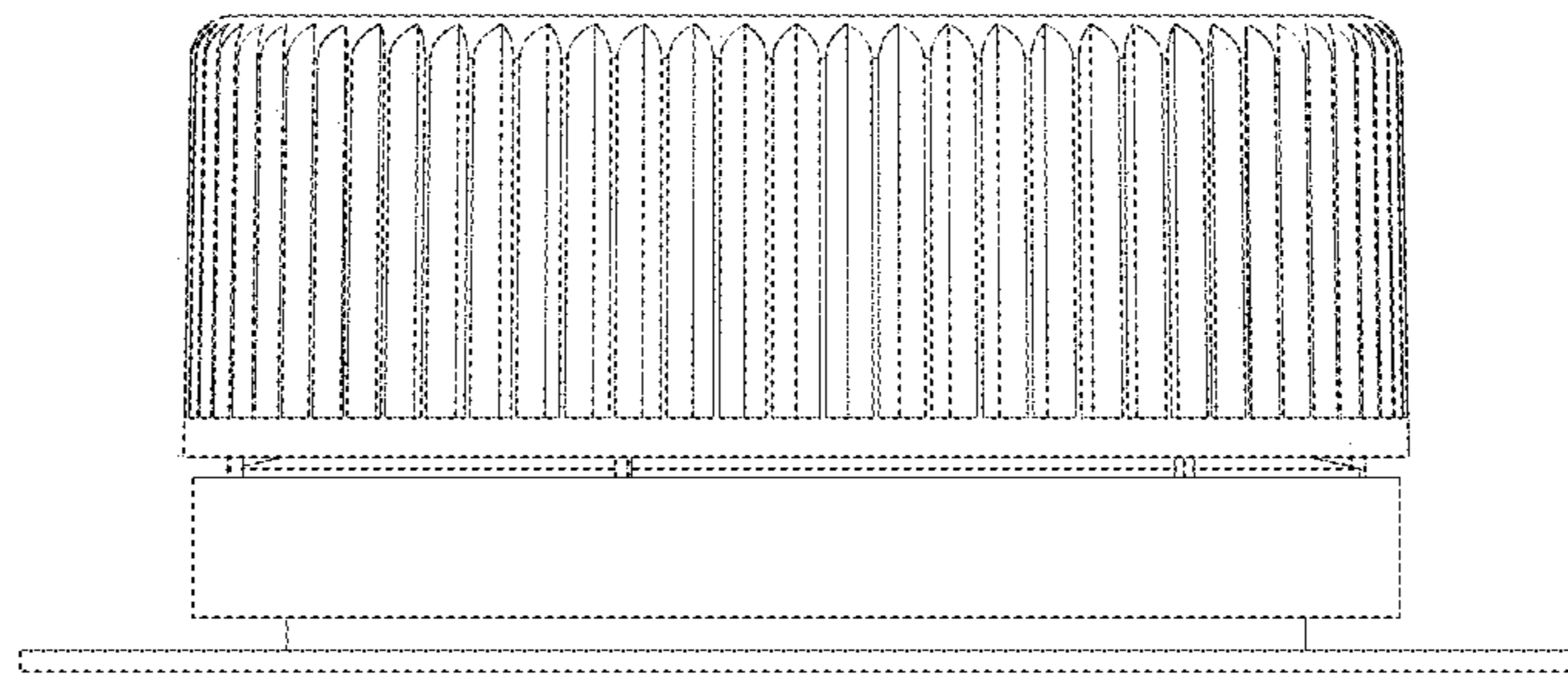
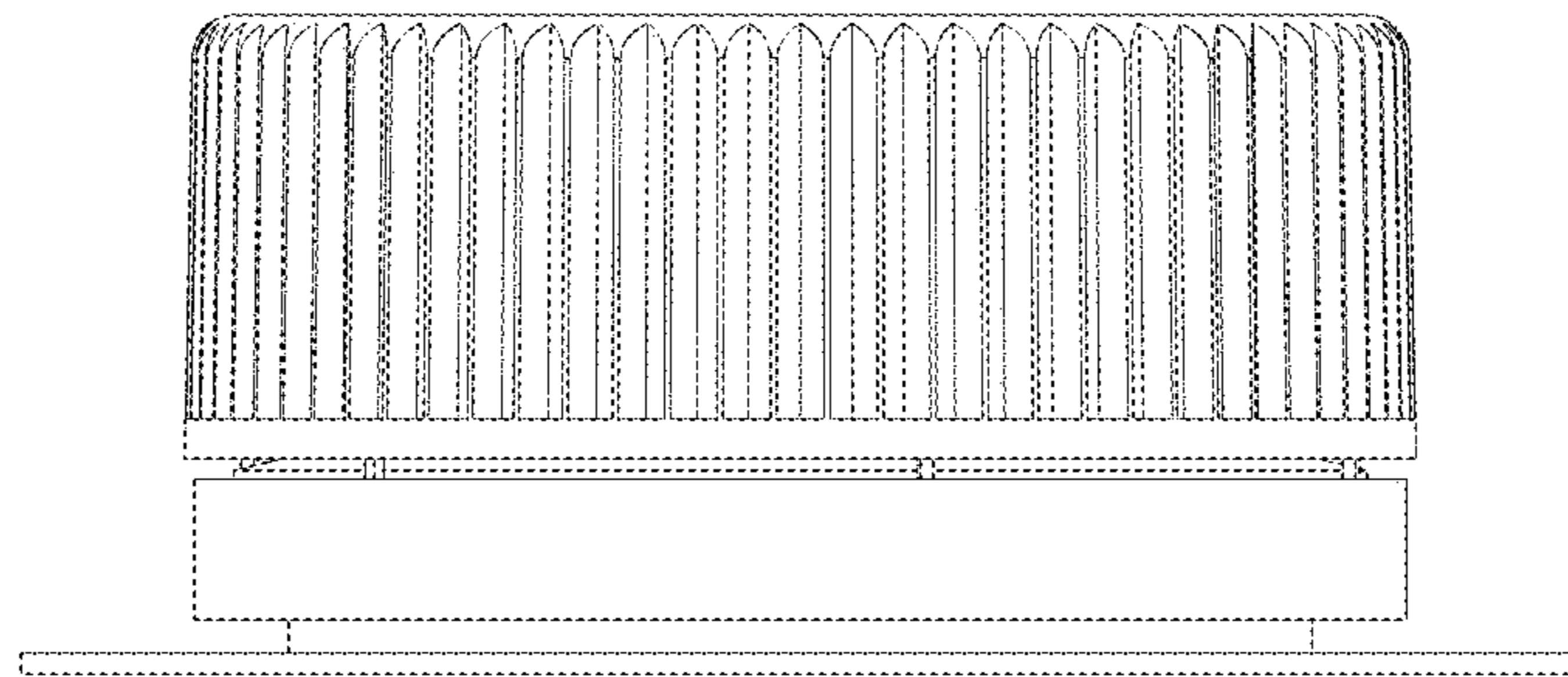


FIG. 4



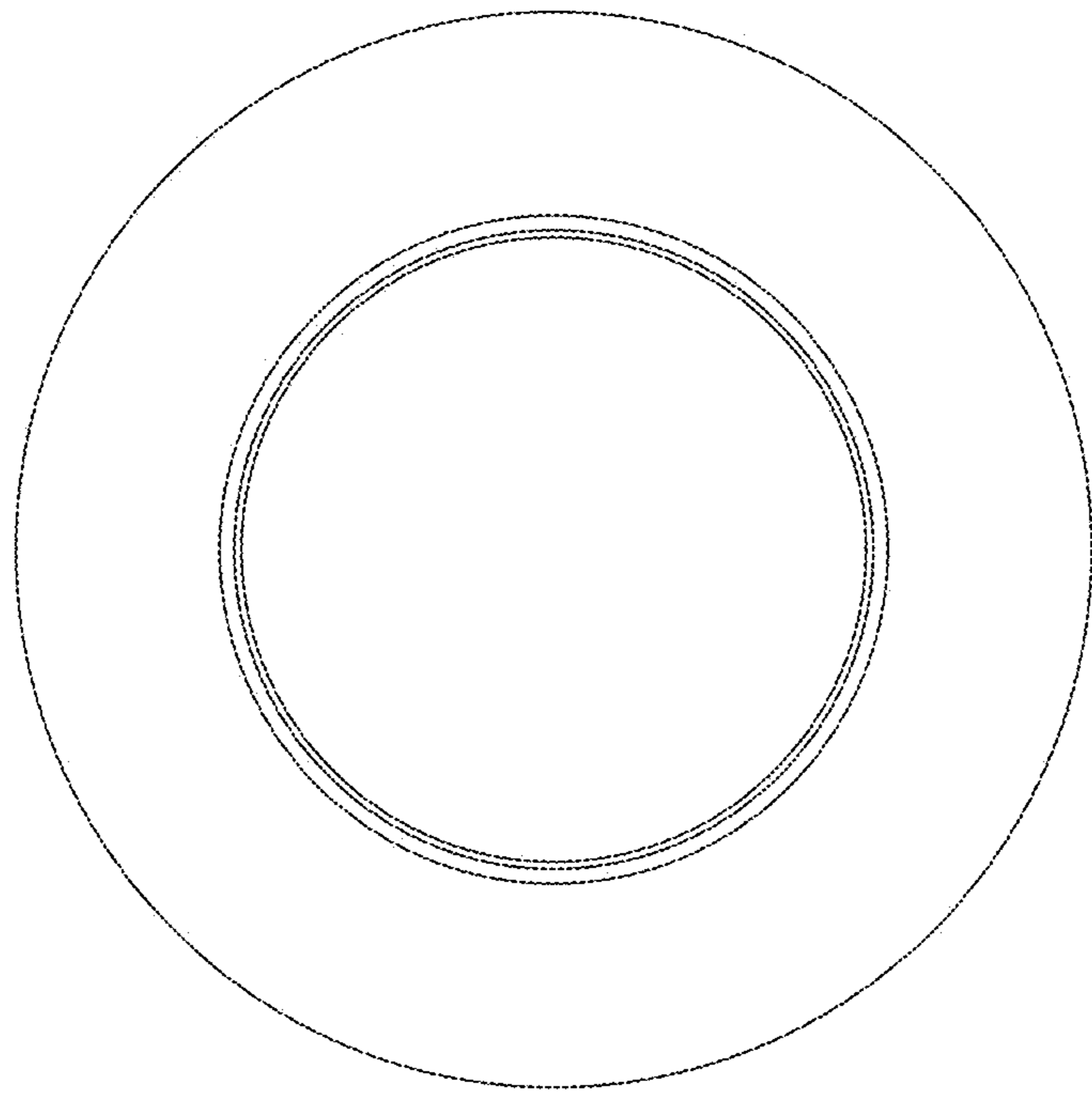


FIG. 5

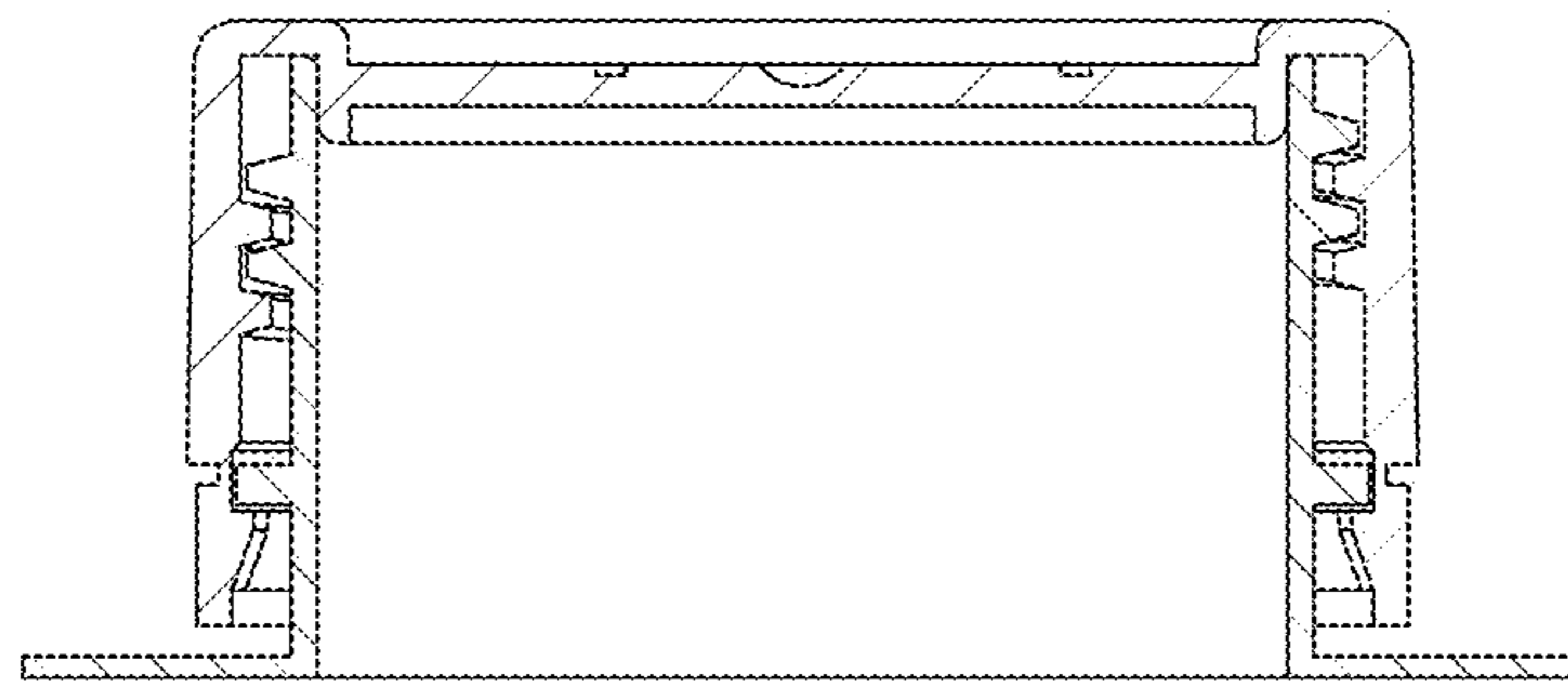


FIG. 6

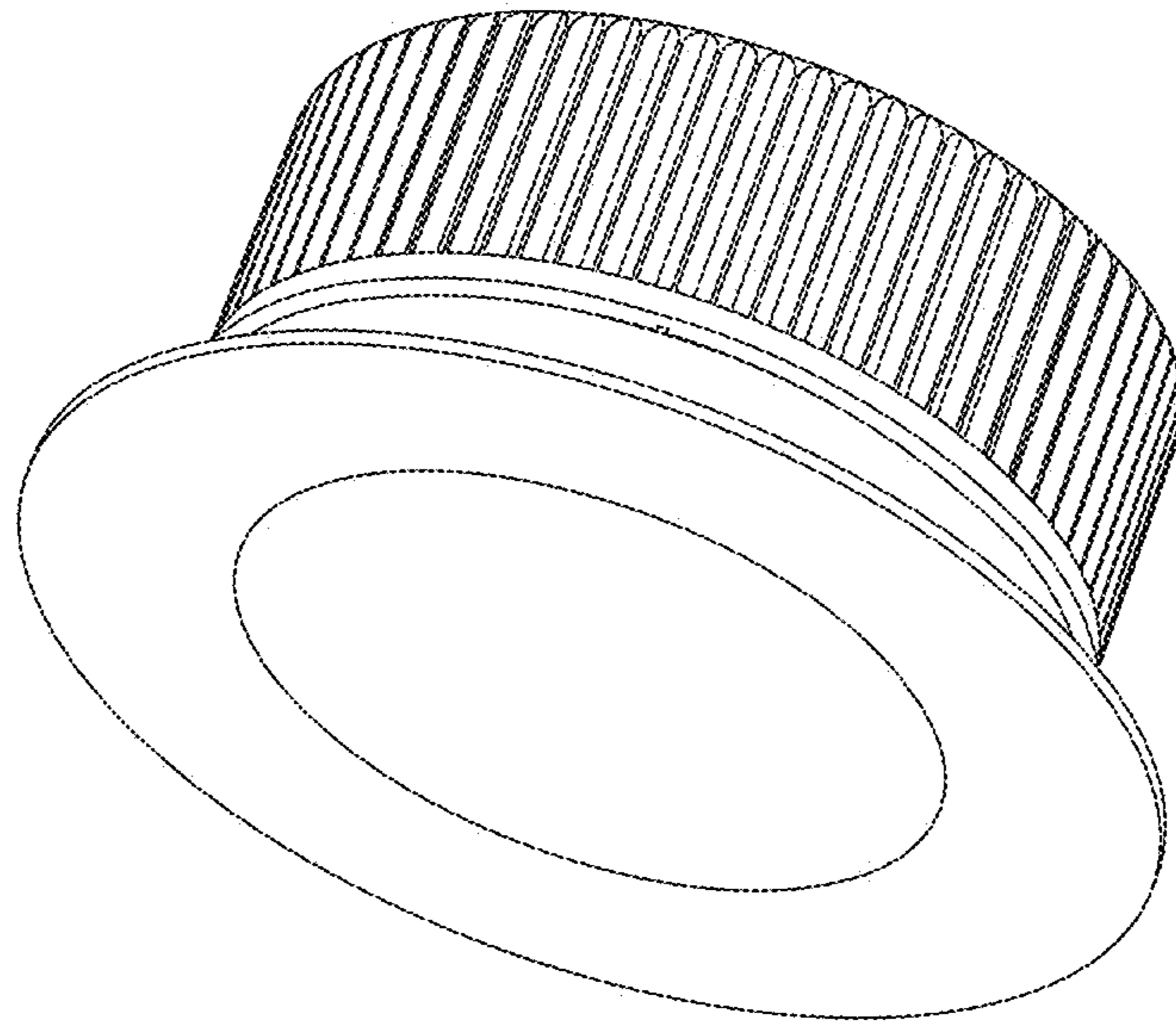


FIG. 7

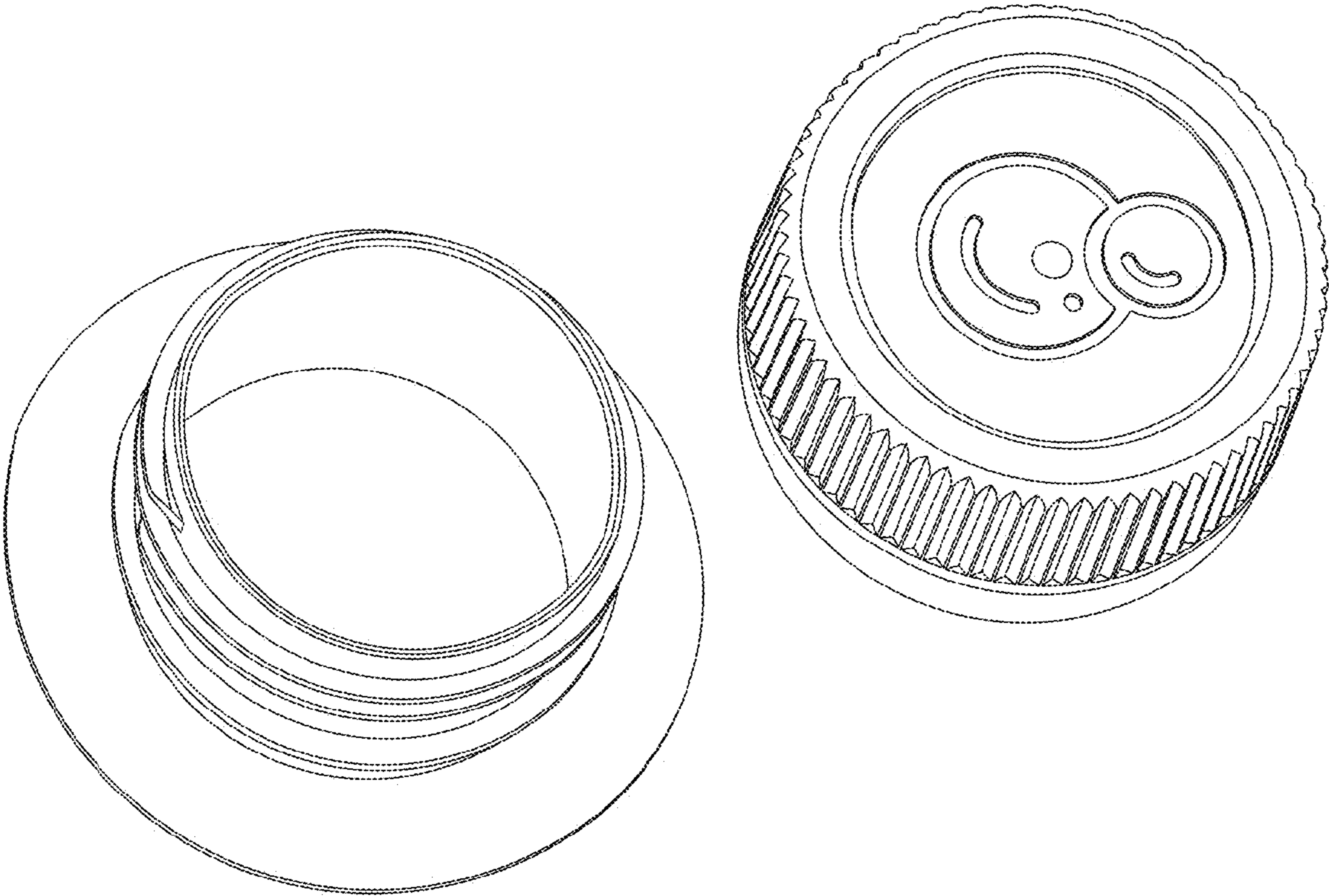


FIG. 8