



US00D962766S

(12) **United States Design Patent**
Gosling et al.

(10) **Patent No.:** **US D962,766 S**

(45) **Date of Patent:** **** Sep. 6, 2022**

(54) **CAP FOR A POUCH**

(71) Applicant: **Cheer Pack North America**, West
Bridgewater, MA (US)

(72) Inventors: **Stephen Gosling**, Hingham, MA (US);
David A. Williamson, Plymouth, MA
(US)

(73) Assignee: **Cheer Pack North America**, West
Bridgewater, MA (US)

(**) Term: **15 Years**

(21) Appl. No.: **29/756,634**

(22) Filed: **Oct. 29, 2020**

(51) **LOC (13) Cl.** **09-07**

(52) **U.S. Cl.**

USPC **D9/452; D9/451**

(58) **Field of Classification Search**

USPC D7/550.1, 554.2, 387, 391, 392, 392.1,
D7/396.1, 396.2, 397, 398, 558, 624.1,
D7/667, 388, 403, 407, 408, 409;
D9/723, 724, 434, 435, 436, 438, 443,
D9/445, 447, 448, 449, 450, 452, 453,
D9/454; D23/206, 209, 259, 260, 261,
D23/397; D21/680, 681

CPC B65D 43/0208; B65D 2231/022; B65D
2543/00027; B65D 2543/00092; B65D
2543/000296; B65D 2543/00342; B65D

(Continued)

(56) **References Cited**

U.S. PATENT DOCUMENTS

3,086,629 A 4/1963 Blitzer
D230,013 S 1/1974 Emerson

(Continued)

FOREIGN PATENT DOCUMENTS

CN 206255377 U 6/2017
KR 101924434 B1 12/2018
WO 2020037788 A1 2/2020

OTHER PUBLICATIONS

Cheer Pack Caps: Announced Jun. 8, 2019 [online]. Site Visited
[Dec. 13, 2021]. Available from Internet URL: <http://cheerpack.com/index.php/capabilities/products/>.*

(Continued)

Primary Examiner — Catherine S Posthauer

(74) *Attorney, Agent, or Firm* — Harness, Dickey &
Pierce, P.L.C.

(57) **CLAIM**

The ornamental design for a cap for a pouch, as shown and
described.

DESCRIPTION

FIG. 1 is a top perspective view of a cap of the present
invention;

FIG. 2 is a front perspective view of the cap of FIG. 1;

FIG. 3 is a side perspective view of the cap of FIG. 1;

FIG. 4 is a front view of the cap of FIG. 1;

FIG. 5 is a right side view of the cap of FIG. 1;

FIG. 6 is a back side view of the cap of FIG. 1;

FIG. 7 is left side view of the cap of FIG. 1;

FIG. 8 is a top view of the cap of FIG. 1;

FIG. 9 is a bottom view of the cap of FIG. 1;

FIG. 10 is a perspective view thereof, shown in a position for
use with an exemplary pouch;

FIG. 11 is a front view thereof;

FIG. 12 is a right side view thereof;

FIG. 13 is a back view of thereof;

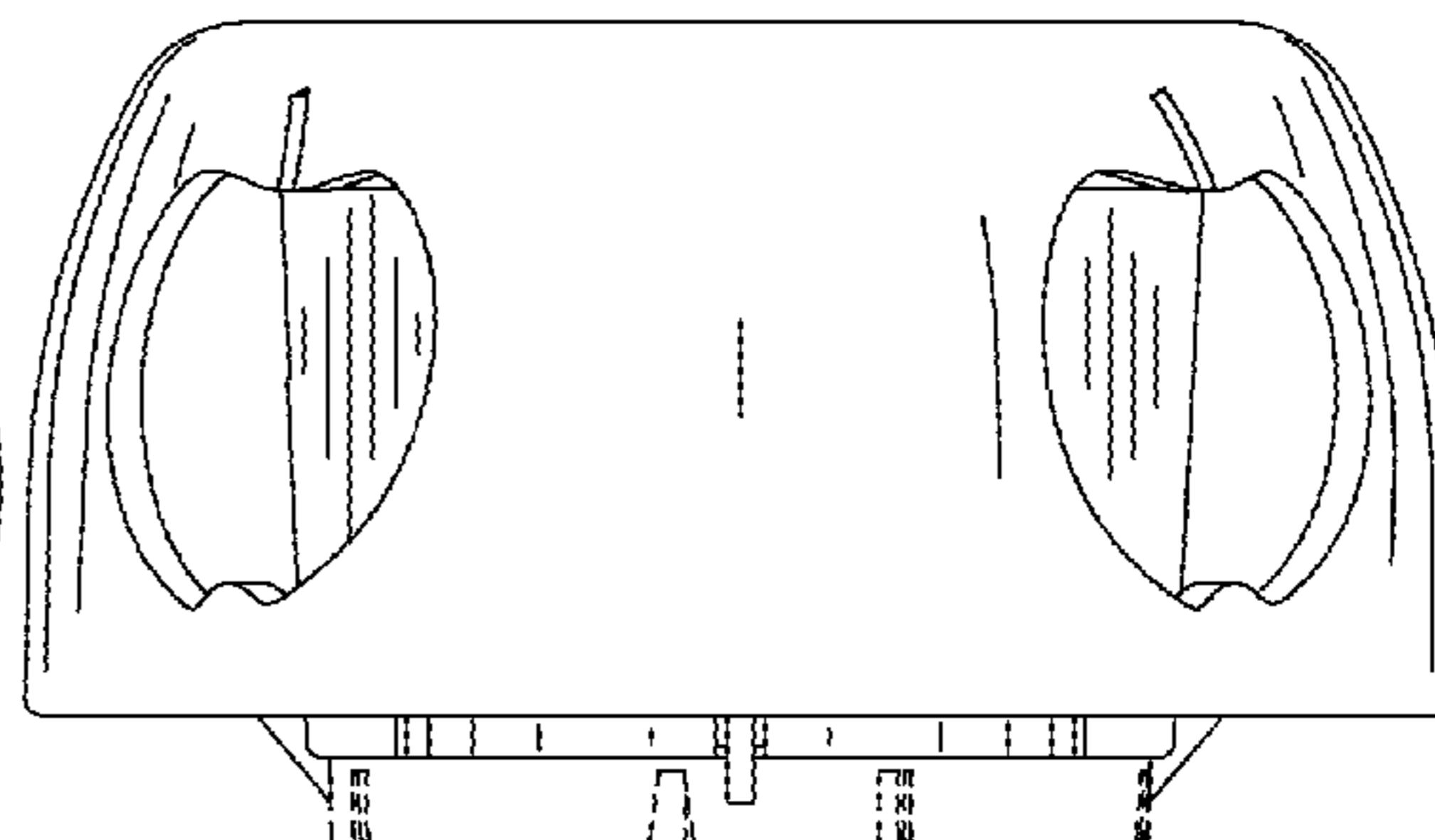
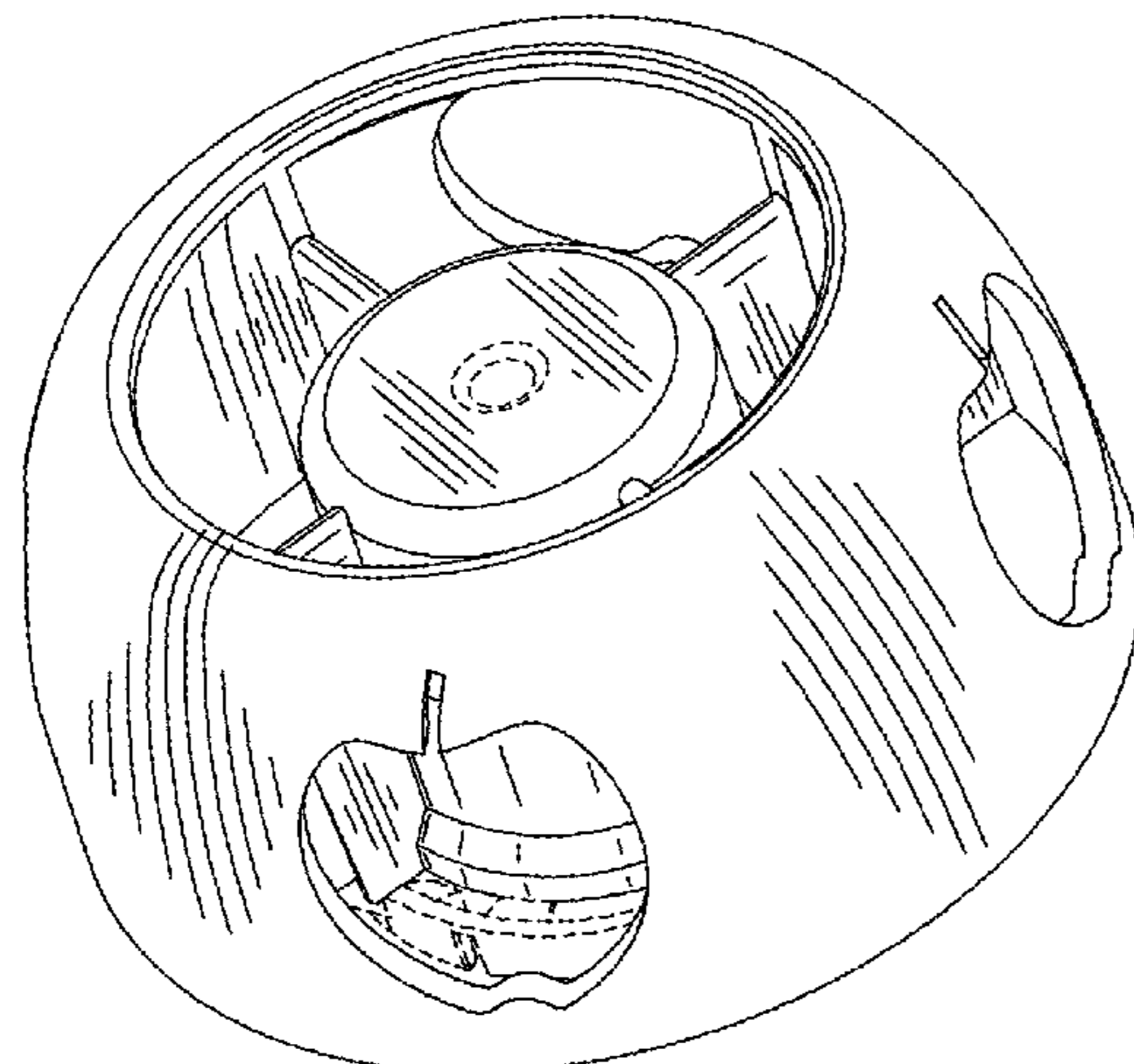
FIG. 14 is a left side view thereof;

FIG. 15 is a top view thereof; and,

FIG. 16 is a bottom view thereof.

The broken lines are shown for the purpose of illustrating
parts of the article as well as environmental subject matter
of an exemplary pouch. None of the broken lines form part
of the claim.

1 Claim, 11 Drawing Sheets



(58) **Field of Classification Search**

CPC 2543/00509; B65D 2543/00518; B65D
2543/00537; B65D 2543/00731; B65D
2543/00814; B65D 41/34; B65D 41/3428;
B65D 1/20; B65D 2251/0018; B65D
2251/0071; B65D 2251/02; B29C 51/22;
B29C 51/268; B29C 51/44; B29C
45/0001; B29C 45/0081; A47G 19/2272

See application file for complete search history.

(56) **References Cited**

U.S. PATENT DOCUMENTS

D294,458 S 3/1988 Wilmott et al.
4,764,143 A 8/1988 Gat et al.
D322,025 S 12/1991 Funston
D547,657 S * 7/2007 Tacchella D9/454
D551,078 S 9/2007 Last
D562,683 S * 2/2008 Sweeton D9/454
D600,120 S * 9/2009 Kawamura D9/452
D637,080 S * 5/2011 Brooks D9/452
D679,597 S * 4/2013 Tamarindo D9/452
D681,460 S * 5/2013 Kim D9/452
D682,688 S * 5/2013 Murray D9/435
D682,693 S 5/2013 Cocuzz
8,443,999 B1 5/2013 Reinders
D684,055 S * 6/2013 Kwon D9/452
D684,056 S * 6/2013 Kwon D9/452
D684,057 S * 6/2013 Kwon D9/453
D687,719 S 8/2013 Last
D693,220 S * 11/2013 Luo B65D 55/00
D9/452
D704,058 S 5/2014 Last
D705,061 S * 5/2014 Jo D9/453
D705,062 S * 5/2014 Jo D9/453
D717,650 S * 11/2014 Tamarindo D9/454
D735,038 S * 7/2015 Tamarindo D9/454
D751,397 S * 3/2016 Kim D9/452
D759,486 S * 6/2016 Ingram D9/453
D770,281 S * 11/2016 Kim D9/452
D775,952 S * 1/2017 Kim D9/452
D786,672 S 5/2017 van Spronsen et al.
D787,328 S 5/2017 van der Molen
D787,329 S 5/2017 van der Molen
D787,330 S 5/2017 van der Molen
D796,326 S * 9/2017 Ichikawa D9/453
D799,322 S 10/2017 Tamarindo
9,975,659 B2 5/2018 McConnell et al.
D819,442 S 6/2018 Johnson
D823,115 S 7/2018 Walker et al.
D830,522 S * 10/2018 Di Liberto D23/259
D842,698 S * 3/2019 Moriyama D9/453

D842,699 S * 3/2019 Tamarindo D9/454
D843,215 S * 3/2019 Steigelman D9/453
D853,235 S 7/2019 Kao
10,472,133 B2 11/2019 Tamarind
D871,832 S * 1/2020 Marina D7/392.1
D872,528 S * 1/2020 Hsu D7/398
D879,611 S 3/2020 Friedman
D885,893 S 6/2020 Tamarindo
D897,207 S 9/2020 Marino
D905,072 S * 12/2020 Buzzi D14/454
D906,108 S * 12/2020 Kwon D9/452
D908,000 S 1/2021 Friedman
D908,509 S 1/2021 Haskins
D913,093 S 3/2021 Van Den Hoonaard et al.
D915,197 S * 4/2021 Katano D9/448
D930,472 S 9/2021 Friedman
2004/0000550 A1 1/2004 Taccolini et al.
2012/0211460 A1 8/2012 Tamarindo
2013/0175274 A1 7/2013 Kim
2013/0213927 A1 8/2013 Hendrickson et al.
2015/0144362 A1 5/2015 Thompson
2015/0144632 A1 5/2015 Tamarindo et al.
2016/0272380 A1 9/2016 Mazurkiewicz et al.
2018/0170626 A1 6/2018 Kwon

OTHER PUBLICATIONS

Dow Flexible Packaging Caps: Announced Oct. 3, 2016 [online].
Site Visited [Dec. 13, 2021]. Available from Internet URL: <https://www.flexpackmag.com/articles/88386-innovative-closure-resins-by-dow-offer-resource-for-cap-and-closure-technology>.
Extended European Search Report regarding Application No. 21205475.
3, dated Apr. 4, 2022.
U.S. Appl. No. 17/084,245, filed Oct. 29, 2020, Stephen Gosling et al.
U.S. Appl. No. 29/756,622, filed Oct. 29, 2020, Stephen Gosling et al.
U.S. Appl. No. 29/756,623, filed Oct. 29, 2020, Stephen Gosling et al.
U.S. Appl. No. 29/756,629, filed Oct. 29, 2020, Stephen Gosling et al.
U.S. Appl. No. 29/756,635, filed Oct. 29, 2020, Stephen Gosling et al.
U.S. Appl. No. 29/756,637, filed Oct. 29, 2020, Stephen Gosling et al.
Cheer Pack North America Products: Announced Dec. 20, 2019 [online] Site Visited [Mar. 19, 2022]. Available from Internet URL: <http://cheerpack.com/index.php/capabilities/products/>.
Go Go Squeez Review: Announced Mar. 4, 2014 [online] Site Visited [Mar. 19, 2022]. Available from Internet URL: <https://www.twiversity.com/2014/03/gogo-squeez-review/>.

* cited by examiner

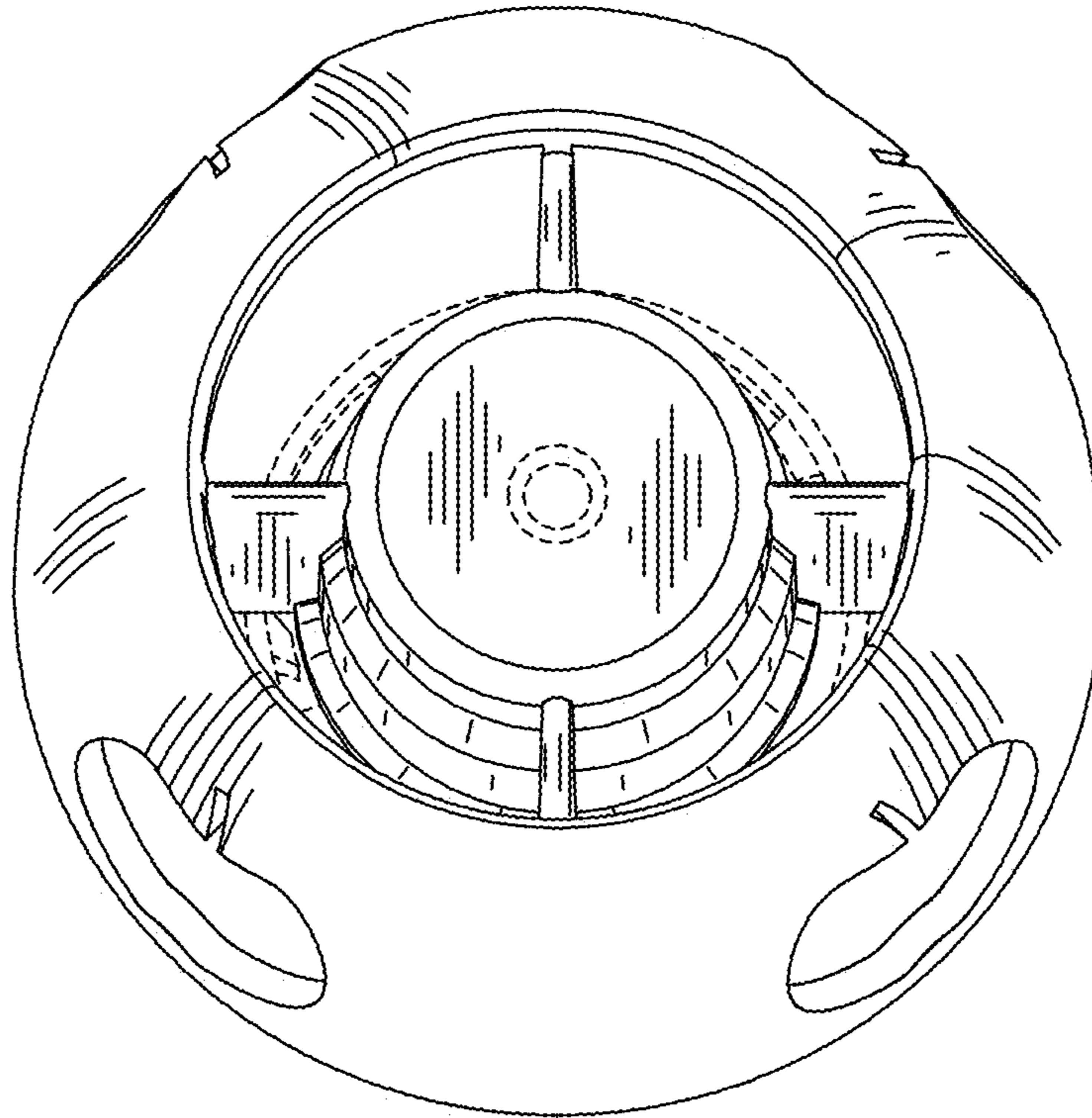


FIG. 1

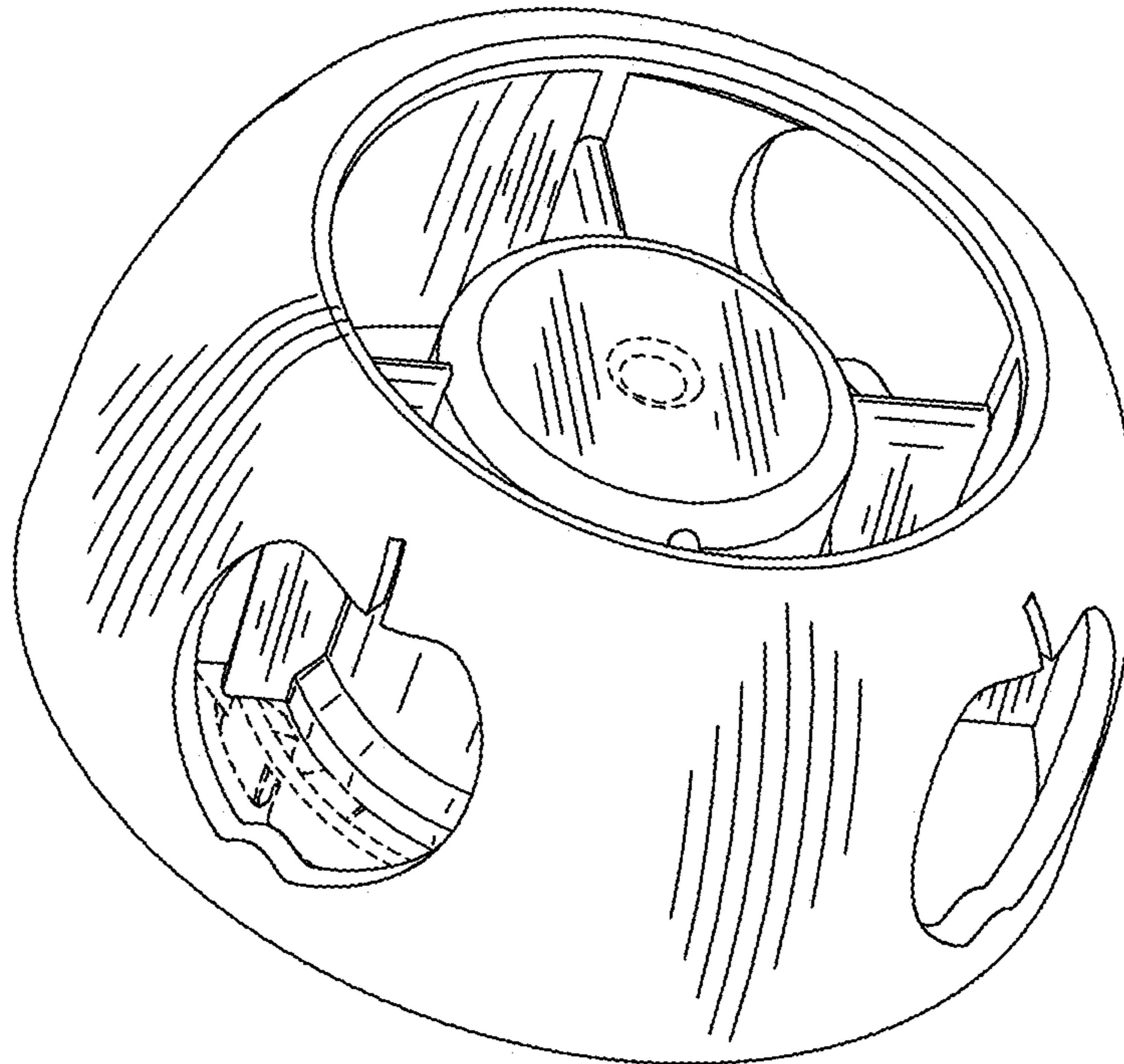


FIG. 2

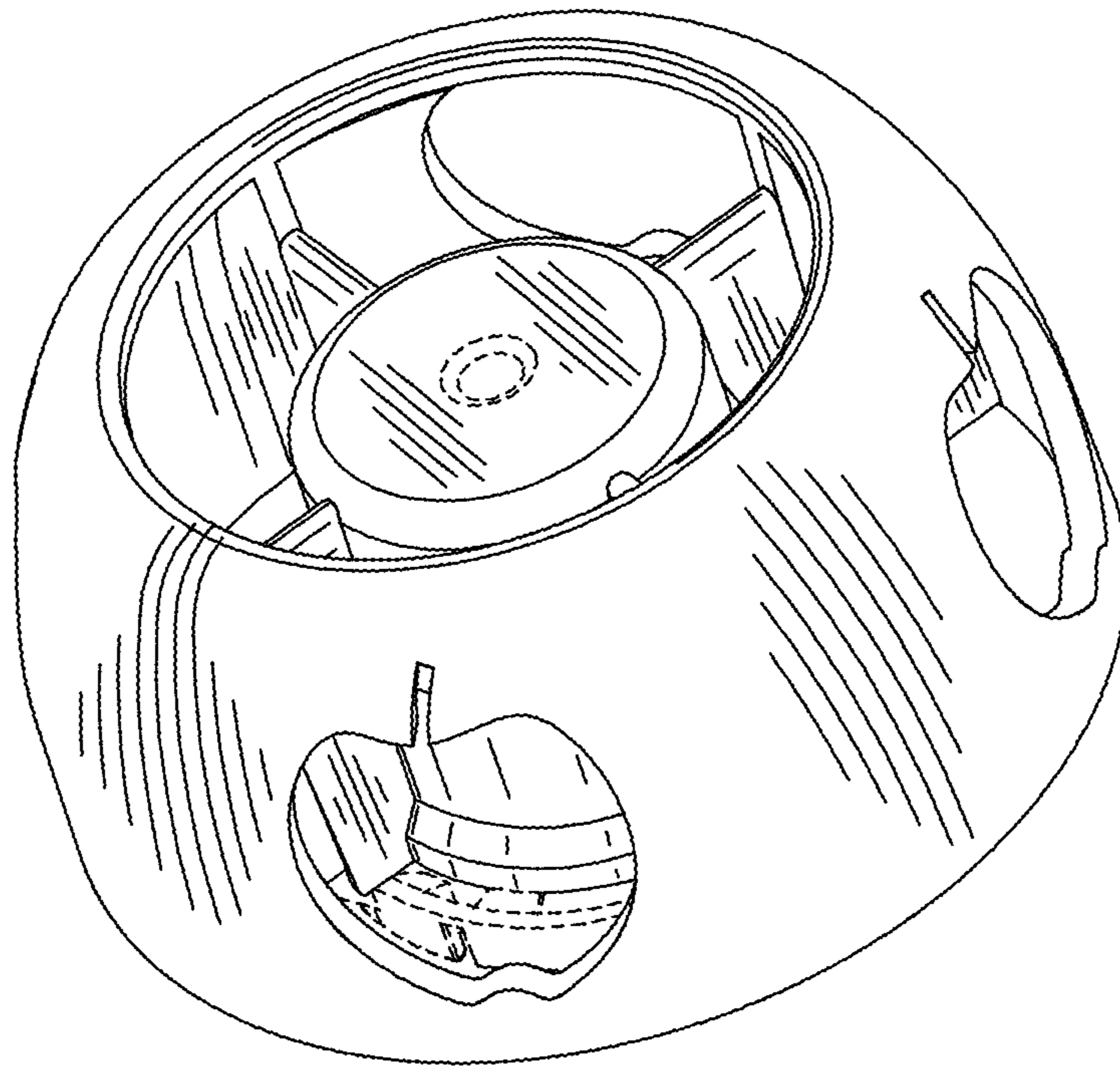


FIG. 3

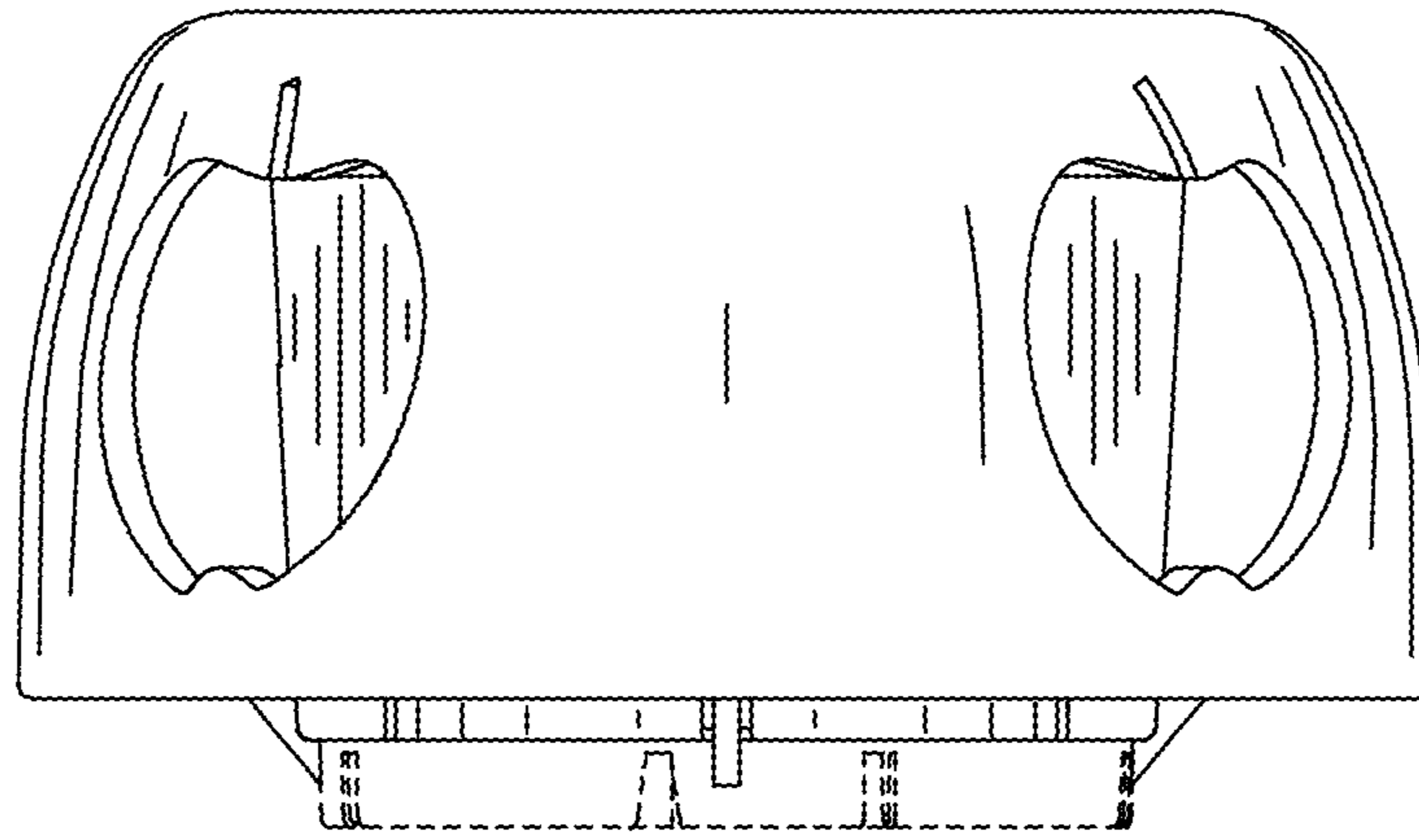


FIG. 4

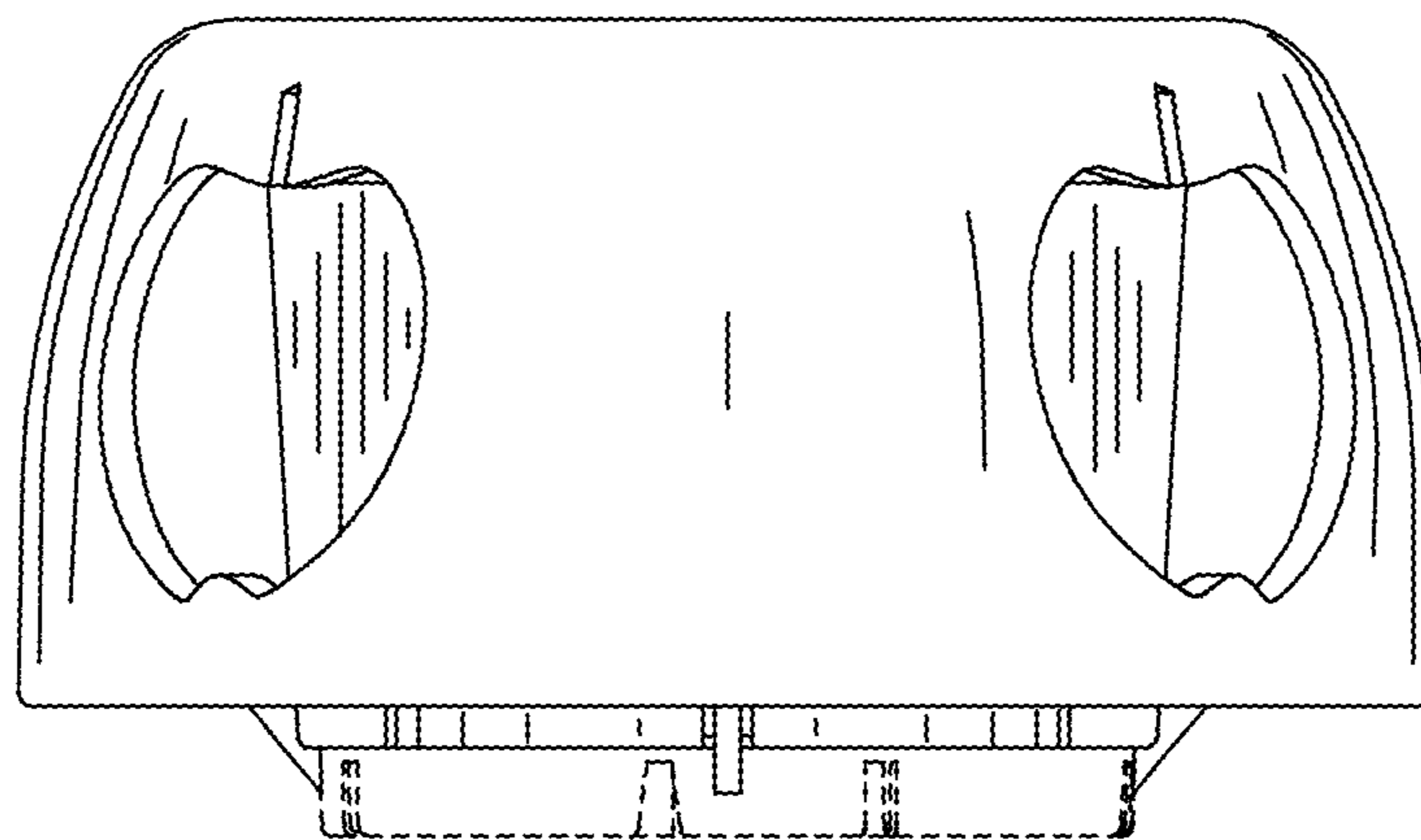


FIG. 5

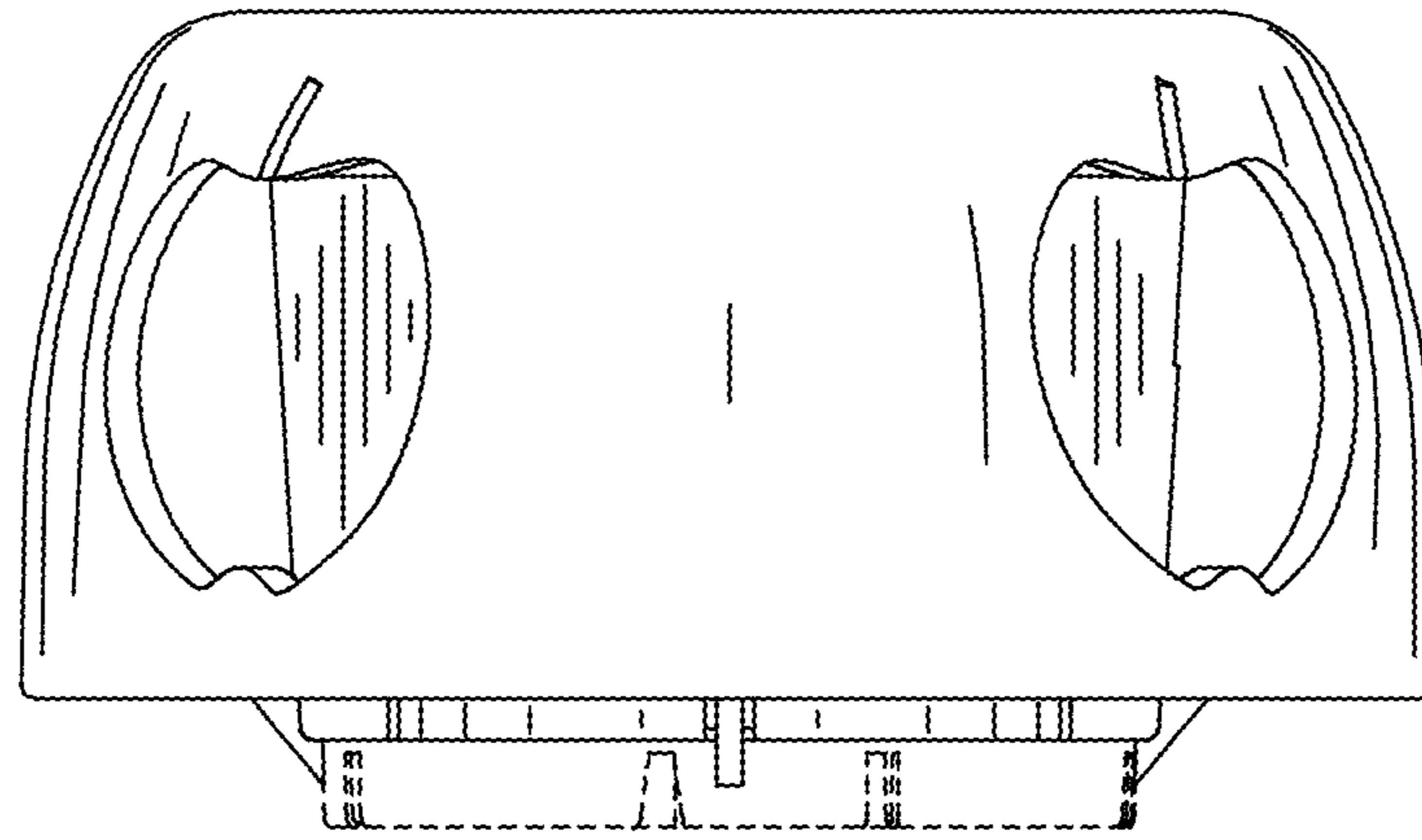


FIG. 6

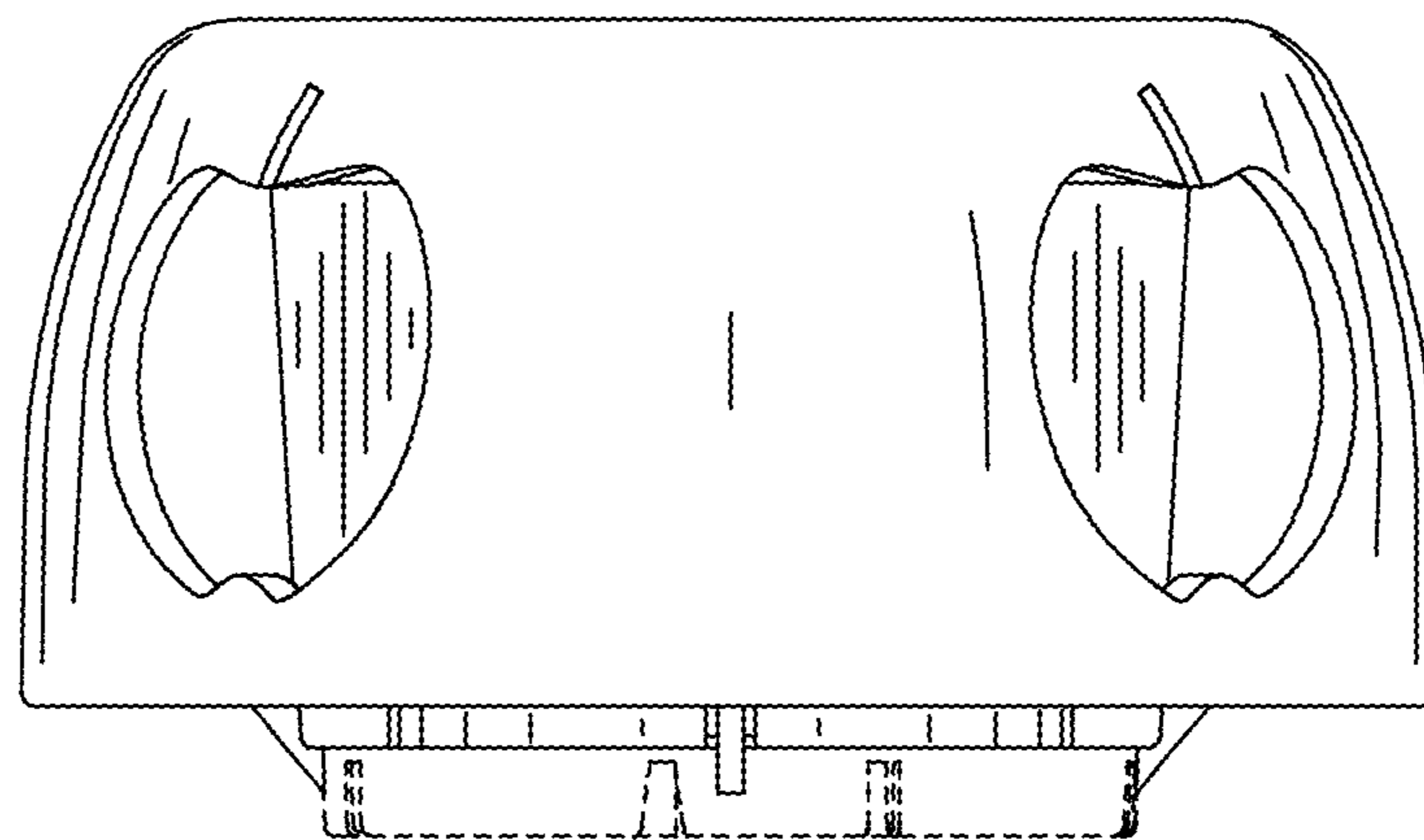


FIG. 7

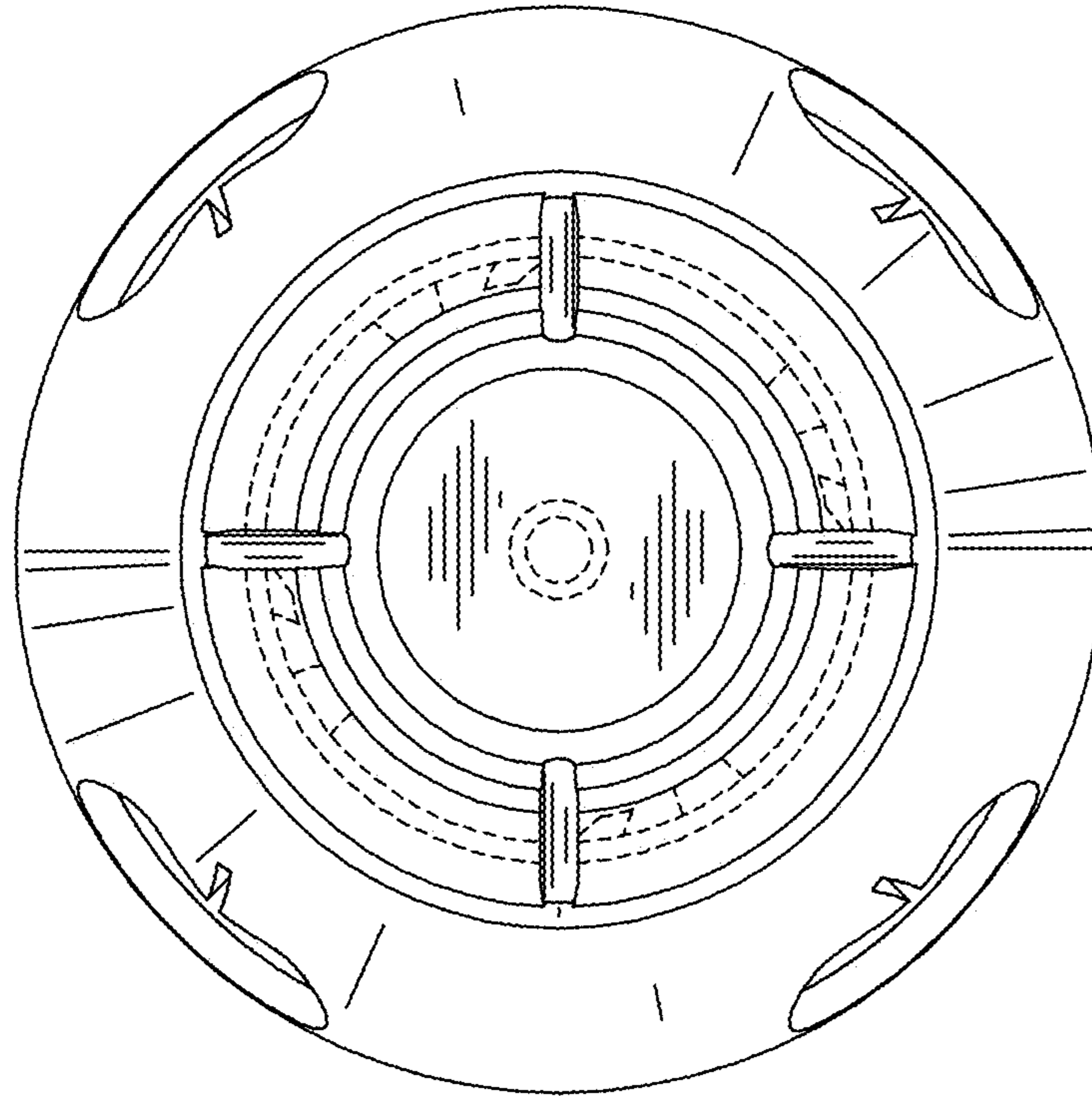


FIG. 8

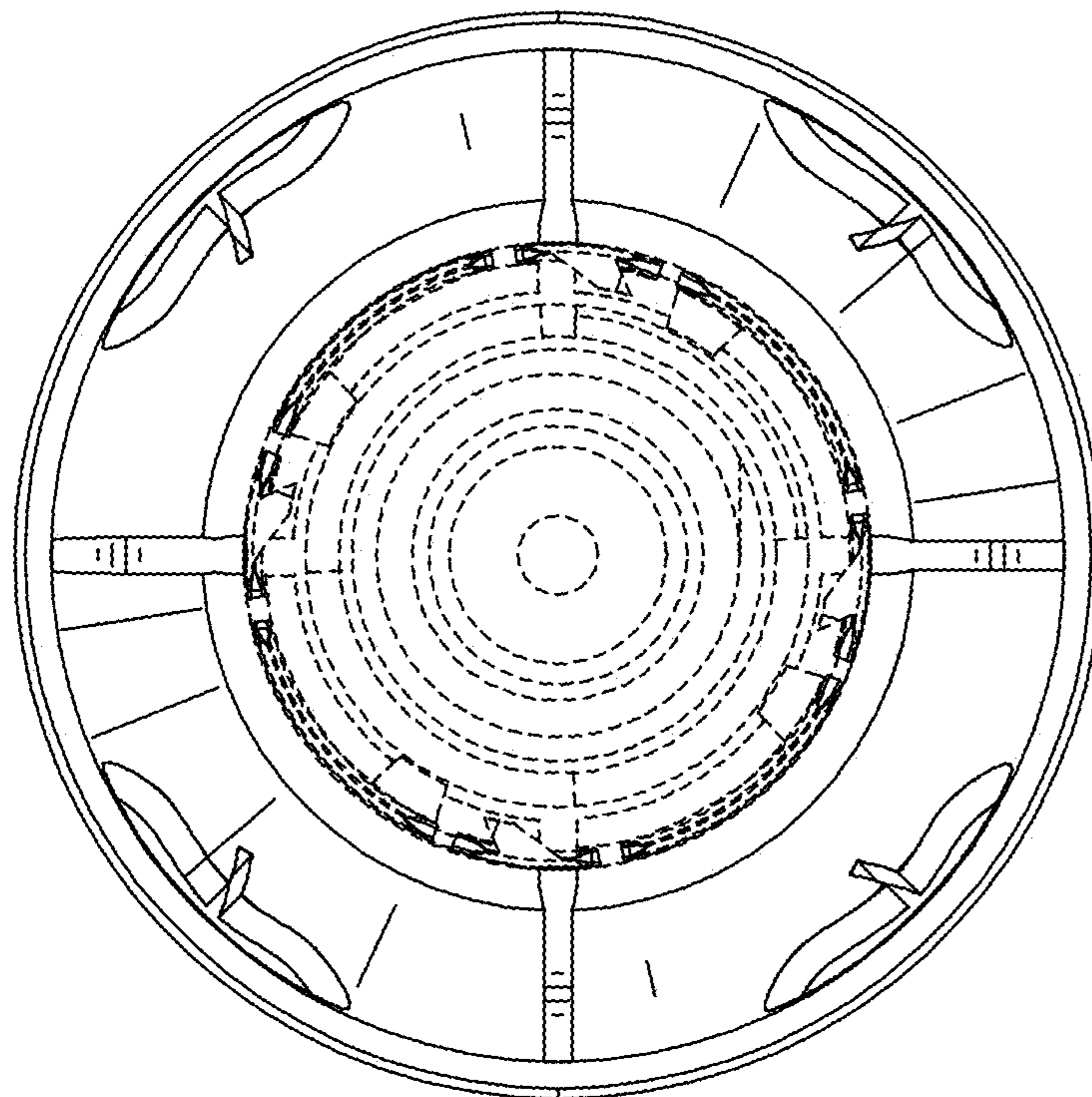


FIG. 9

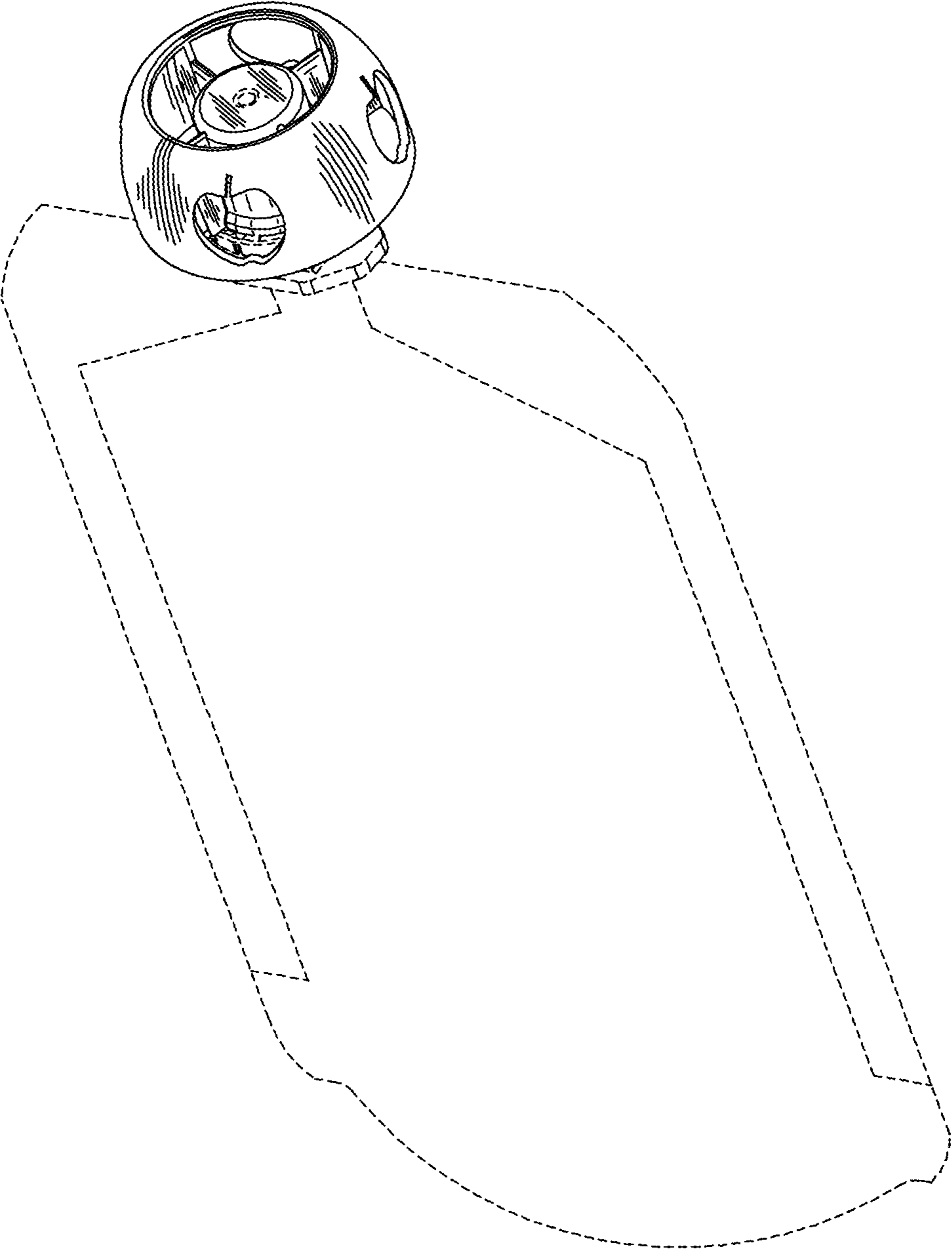


FIG. 10

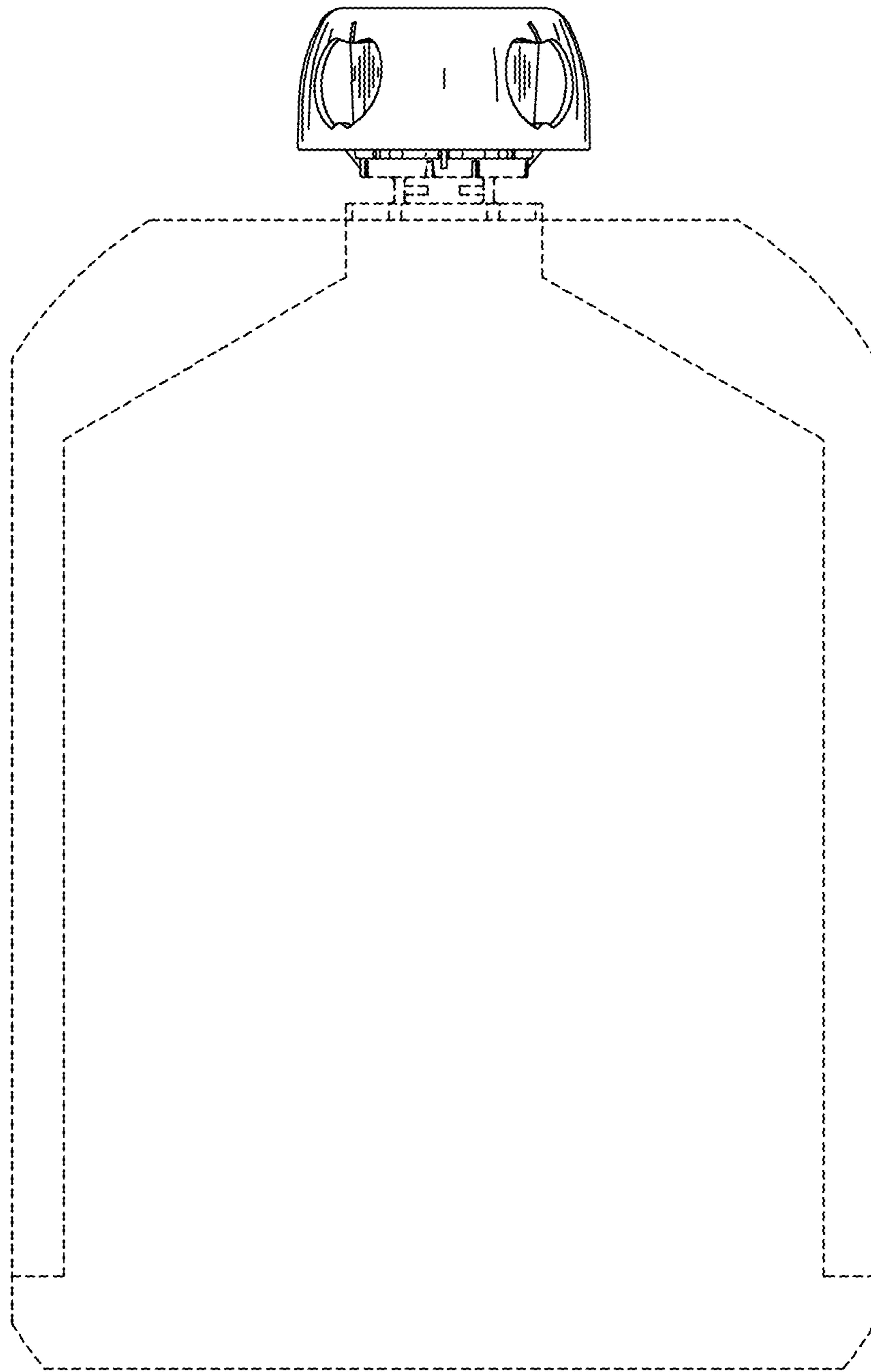


FIG. 11

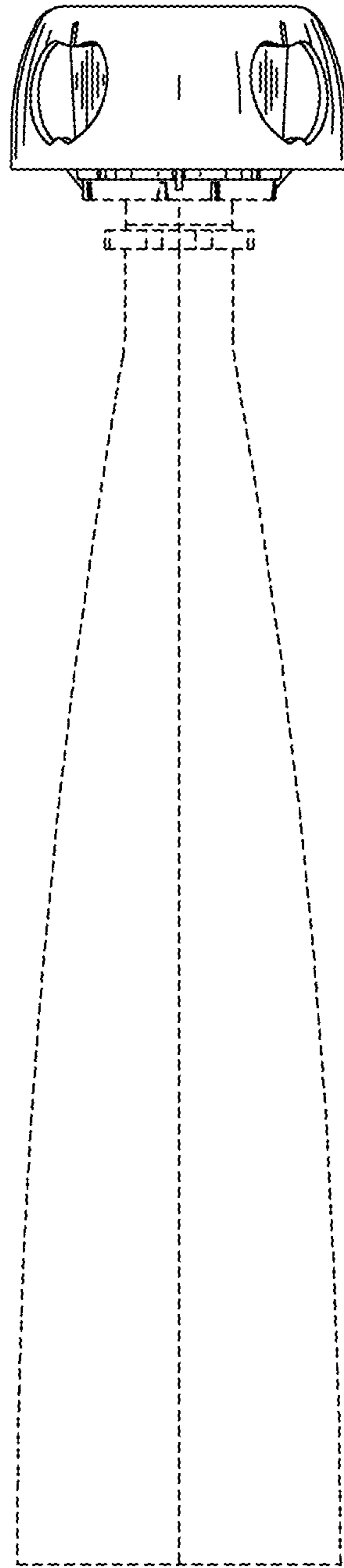


FIG. 12

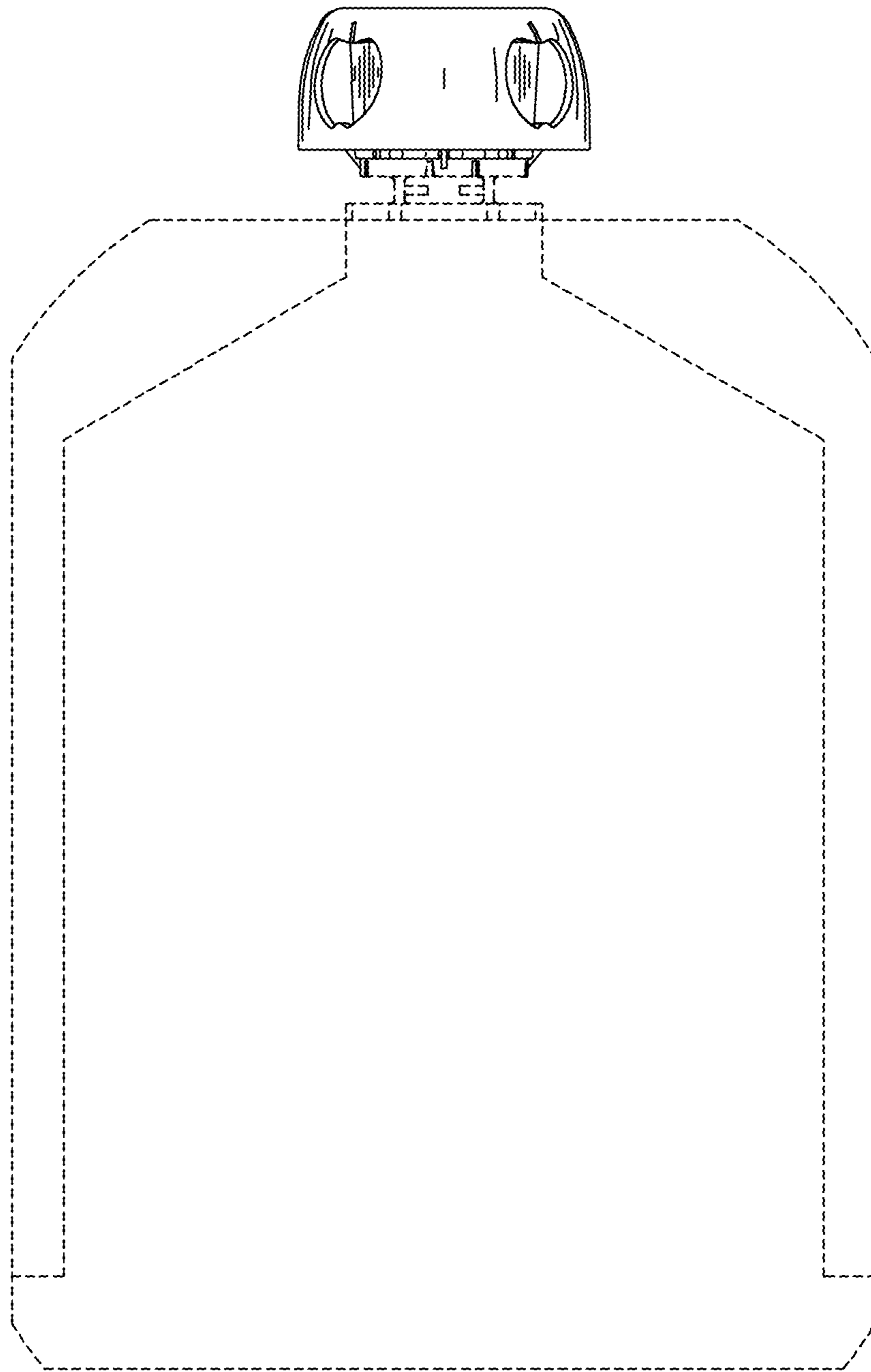


FIG. 13

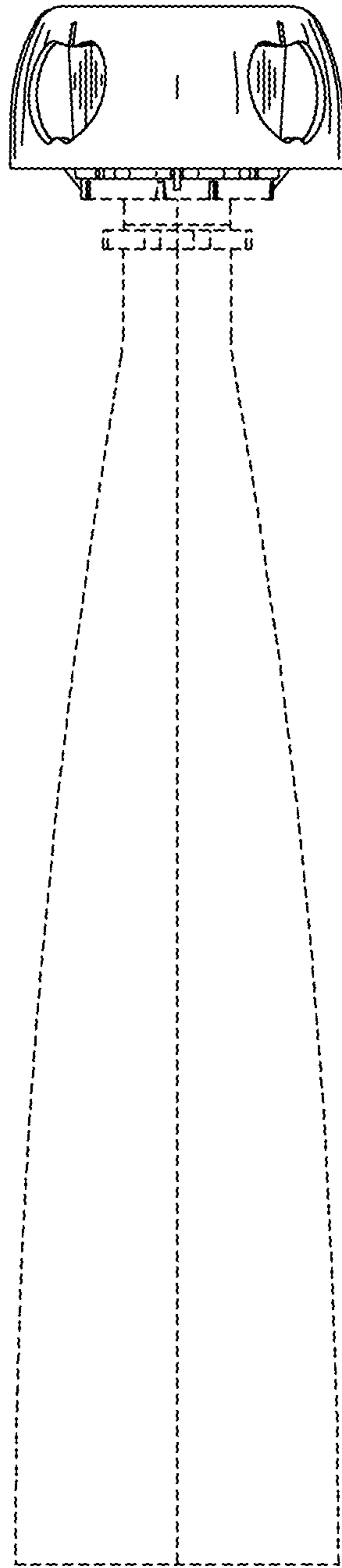


FIG. 14

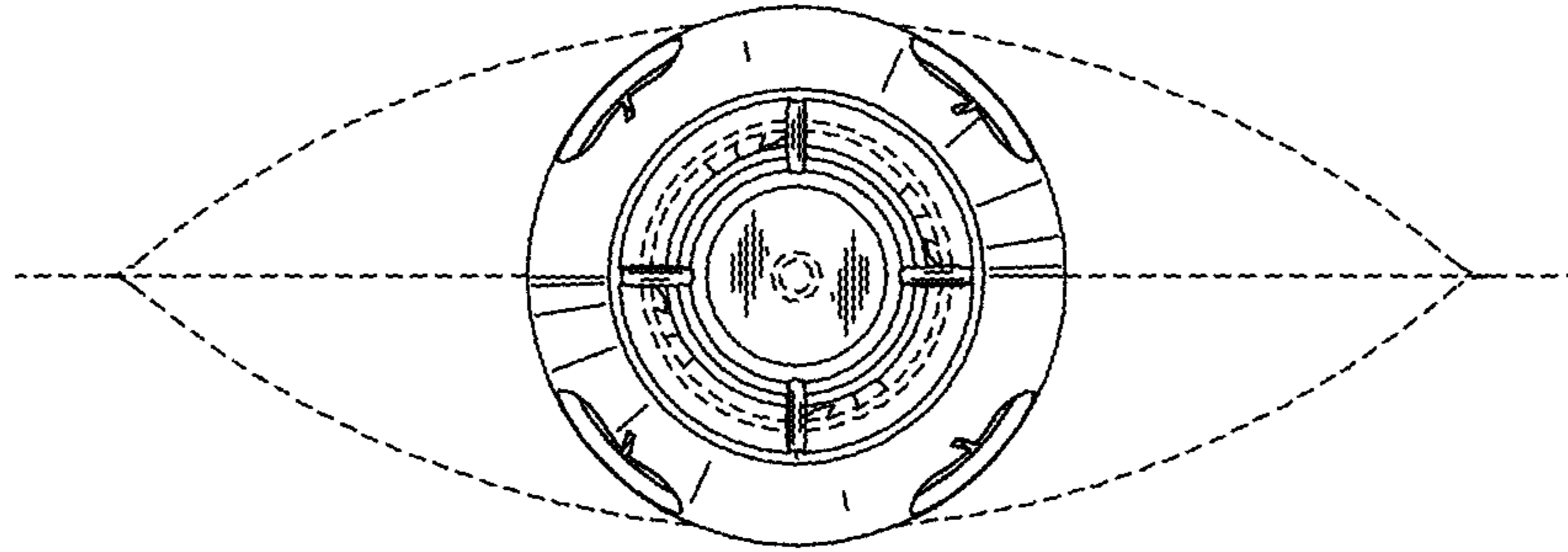


FIG. 15

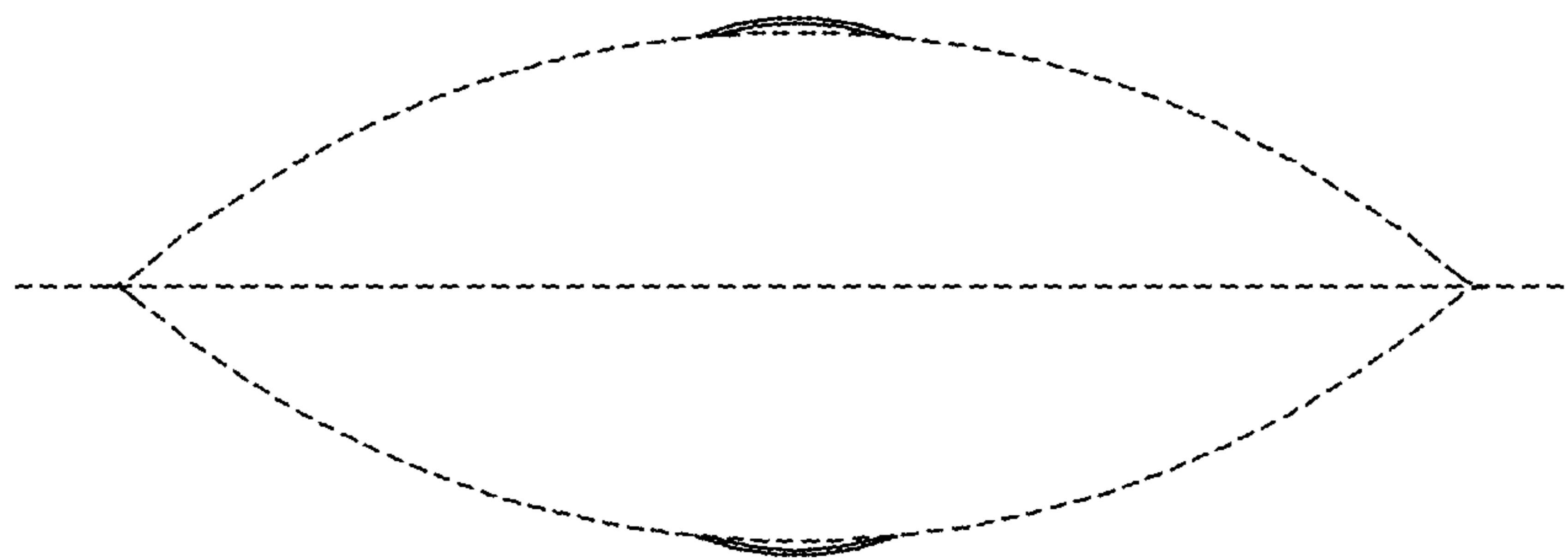


FIG. 16