

US00D962763S

(12) **United States Design Patent** (10) **Patent No.:** **US D962,763 S**
Garrison et al. (45) **Date of Patent:** **** Sep. 6, 2022**

- (54) **JAR CAP WITH MIXING PADDLE**
- (71) Applicant: **ELC Management LLC**, Melville, NY (US)
- (72) Inventors: **Chad Garrison**, San Pedro, CA (US);
Emma Corman, Long Beach, CA (US)
- (73) Assignee: **ELC Management LLC**, Melville, NY (US)

(**) Term: **15 Years**

(21) Appl. No.: **29/730,637**

- (22) Filed: **Apr. 7, 2020**
- (51) **LOC (13) Cl.** **09-07**
- (52) **U.S. Cl.**
USPC **D9/436**
- (58) **Field of Classification Search**
USPC D9/436, 738, 741, 743, 756, 549, 456;
D7/541, 546, 549, 553.1, 553.6, 553.7,
D7/555, 701, 703; D28/76-84
CPC B01F 27/112; B01F 27/1125; B01F 27/90;
B01F 35/32021
See application file for complete search history.

(56) **References Cited**

U.S. PATENT DOCUMENTS

2,487,642	A *	11/1949	De Waltoff	B65D 83/0016 222/320
D199,961	S *	1/1965	Hare, Jr.	D4/137
D271,750	S *	12/1983	Karosi	D4/116
D305,089	S *	12/1989	Thompson	D7/412
D320,938	S *	10/1991	Stallings	D32/54
6,422,424	B1 *	7/2002	Sheffler	B65D 81/3283 222/386
D615,399	S *	5/2010	Bran	D9/447
D618,056	S *	6/2010	Sly	D7/688
D668,113	S *	10/2012	Stephan	D7/378
D681,835	S *	5/2013	Stephan	D24/197
D681,836	S *	5/2013	Stephan	D24/197
D731,240	S *	6/2015	Bell	D7/392.1

D823,110	S *	7/2018	Koe	D9/436
D887,773	S *	6/2020	Fourie	D7/392.1
11,084,005	B1 *	8/2021	Contorno	B01F 27/1125
2019/0126216	A1 *	5/2019	Holly	B01F 27/054
2019/0308775	A1 *	10/2019	Parks	B01F 35/32021
2019/0367231	A1 *	12/2019	Riffel	B65D 43/0222
2020/0324947	A1 *	10/2020	Cunningham	B01F 33/86
2020/0353429	A1 *	11/2020	Parks	B01F 35/32021
2021/0031157	A1 *	2/2021	Walters	B01F 27/96
2021/0368966	A1 *	12/2021	Bickford	A45D 40/0068

OTHER PUBLICATIONS

Taiwanese Search Report from Application No. 109305604.

* cited by examiner

Primary Examiner — W. A. Teddy Falloway

(74) *Attorney, Agent, or Firm* — Peter Giancana

(57) **CLAIM**

The ornamental design for a jar cap with mixing paddle, substantially as shown and described.

DESCRIPTION

FIG. 1 is a top perspective view of our new design for a jar cap with mixing paddle;

FIG. 2 is a bottom perspective view of the jar cap with mixing paddle shown in FIG. 1;

FIG. 3 is a front elevation view of the jar cap with mixing paddle shown in FIG. 1;

FIG. 4 is a rear elevation view of the jar cap with mixing paddle shown in FIG. 1;

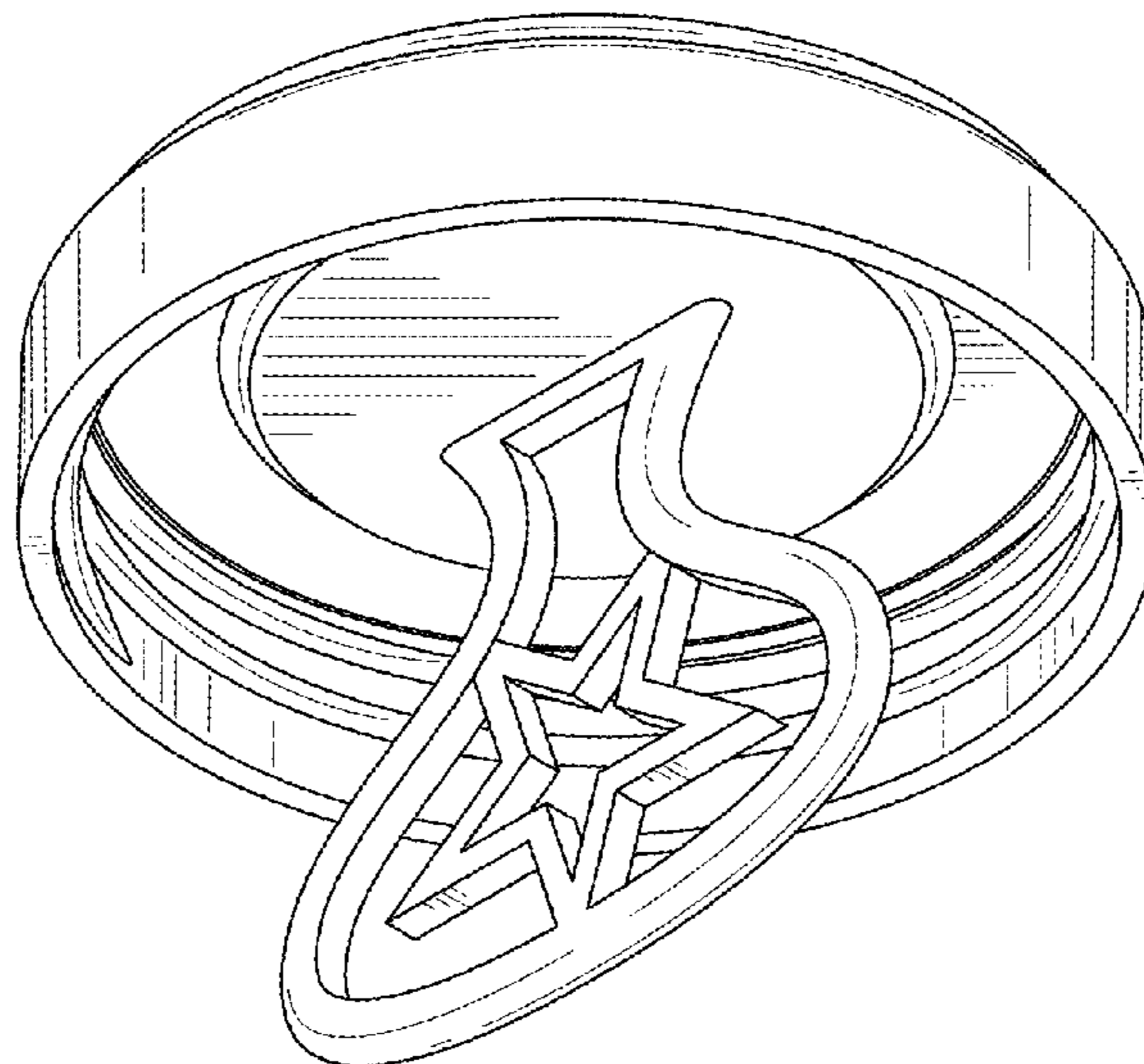
FIG. 5 is a left side elevation view of the jar cap with mixing paddle shown in FIG. 1;

FIG. 6 is a right side elevation view of the jar cap with mixing paddle shown in FIG. 1;

FIG. 7 is a top plan view of the jar cap with mixing paddle shown in FIG. 1; and,

FIG. 8 is a bottom plan view of the jar cap with mixing paddle shown in FIG. 1.

1 Claim, 4 Drawing Sheets



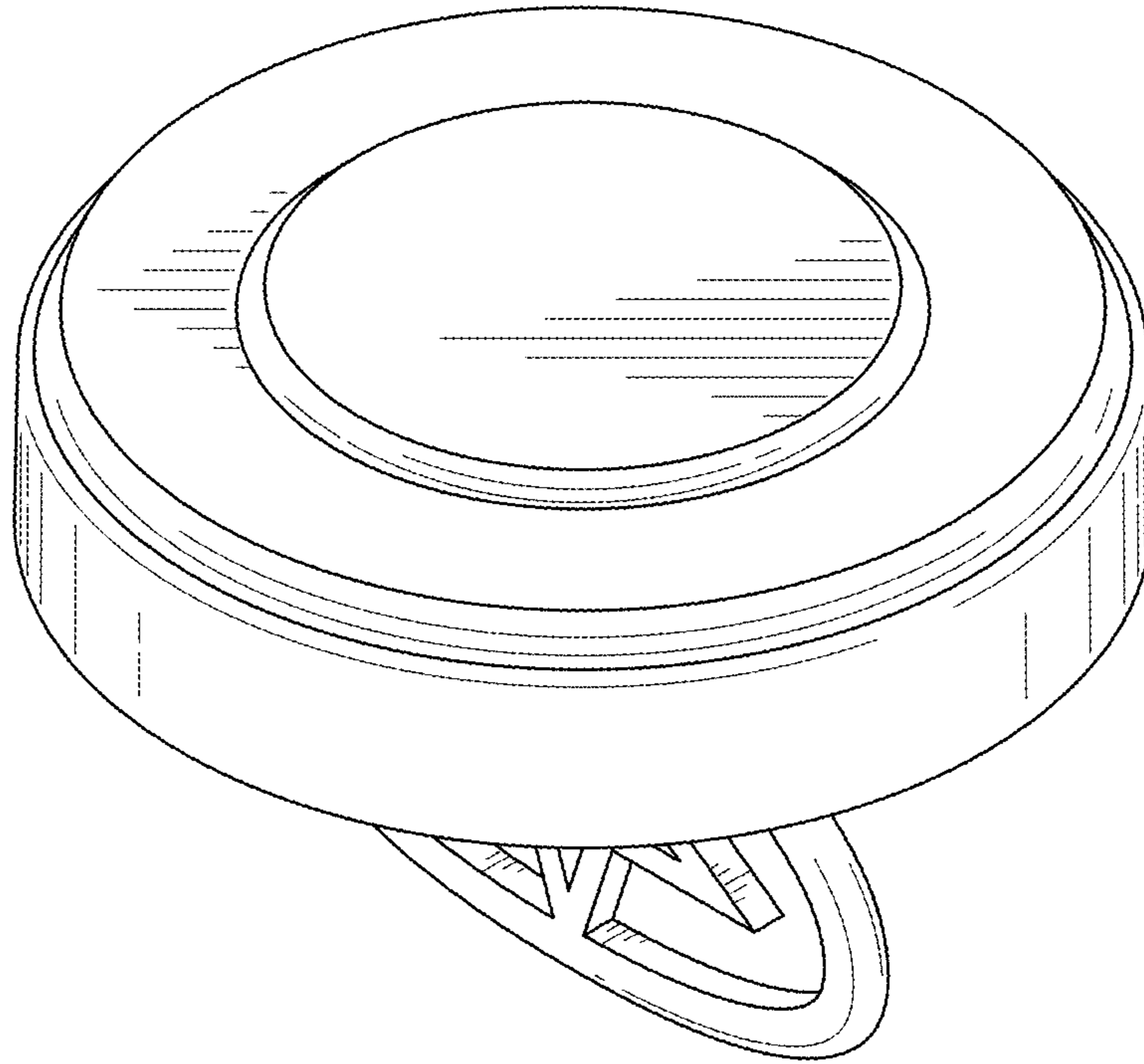


FIG. 1

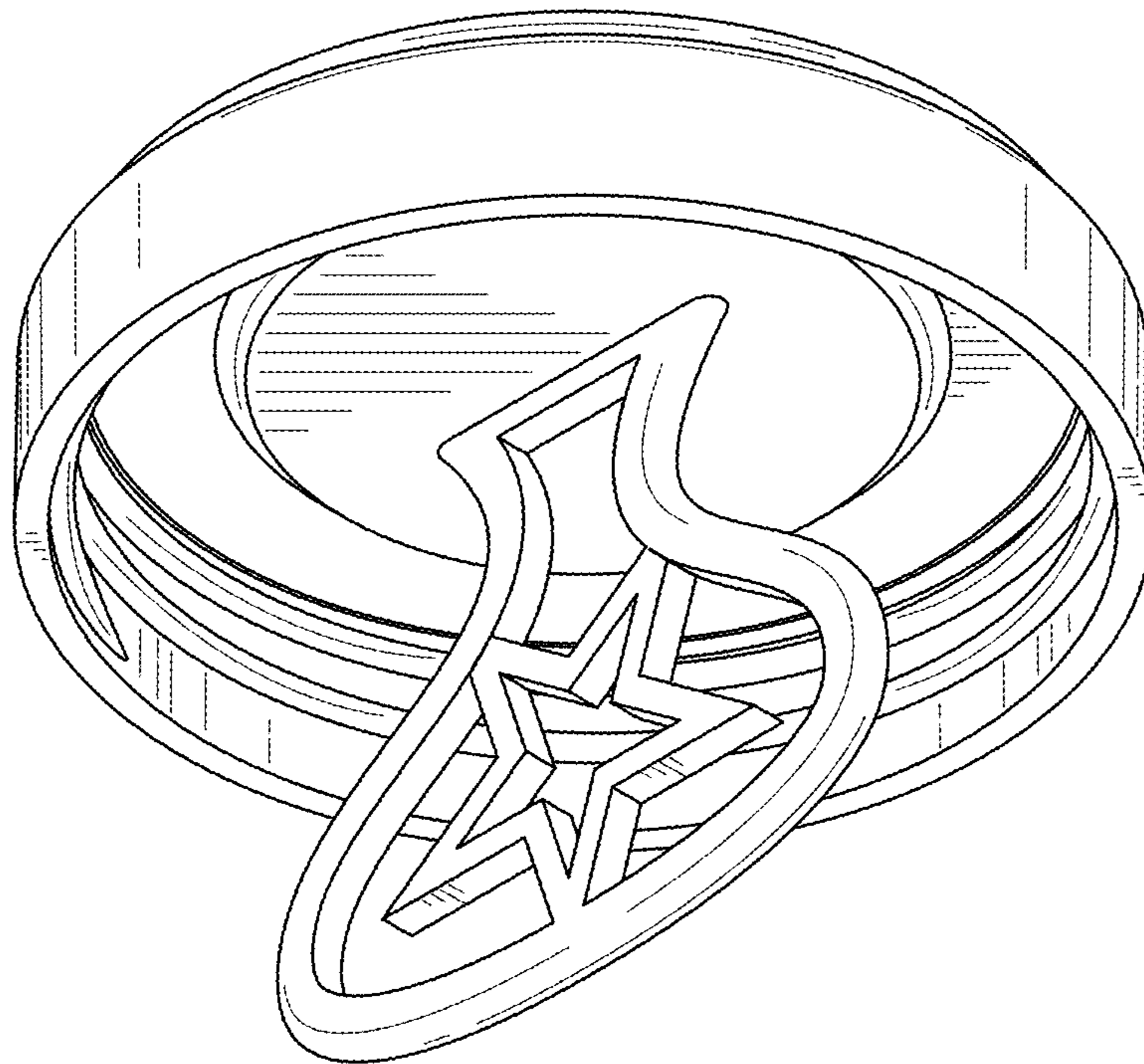


FIG. 2

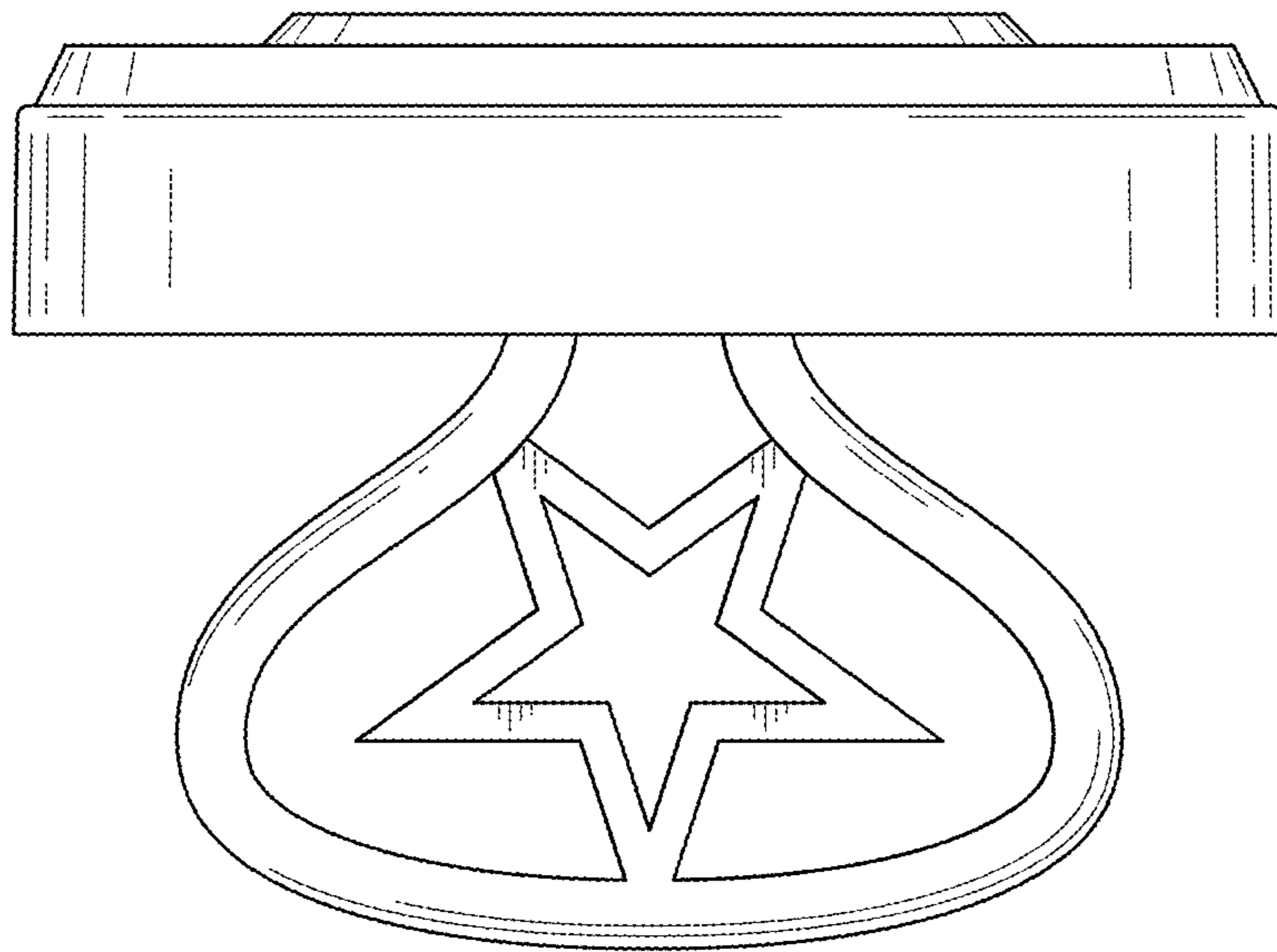


FIG. 3

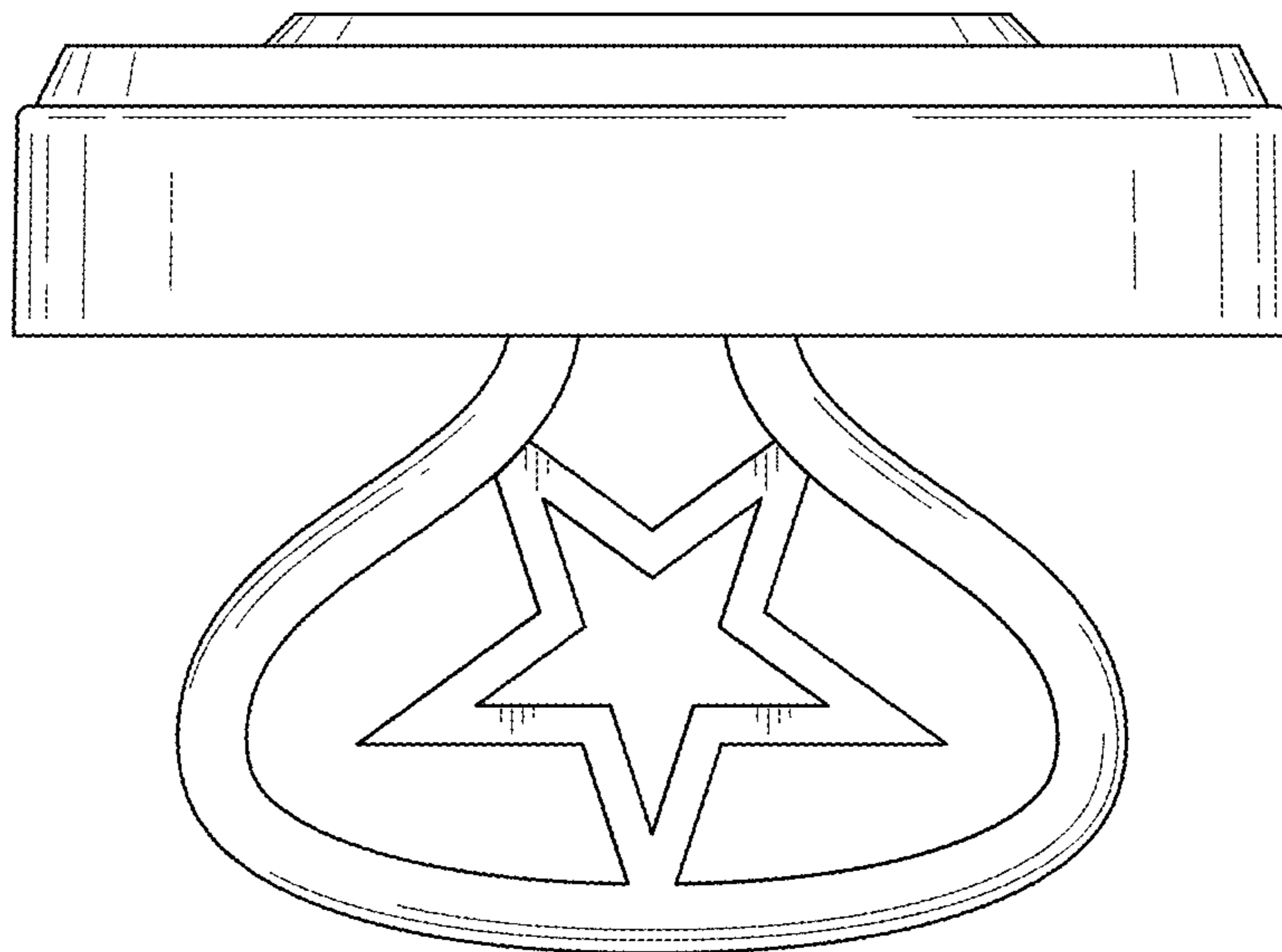


FIG. 4

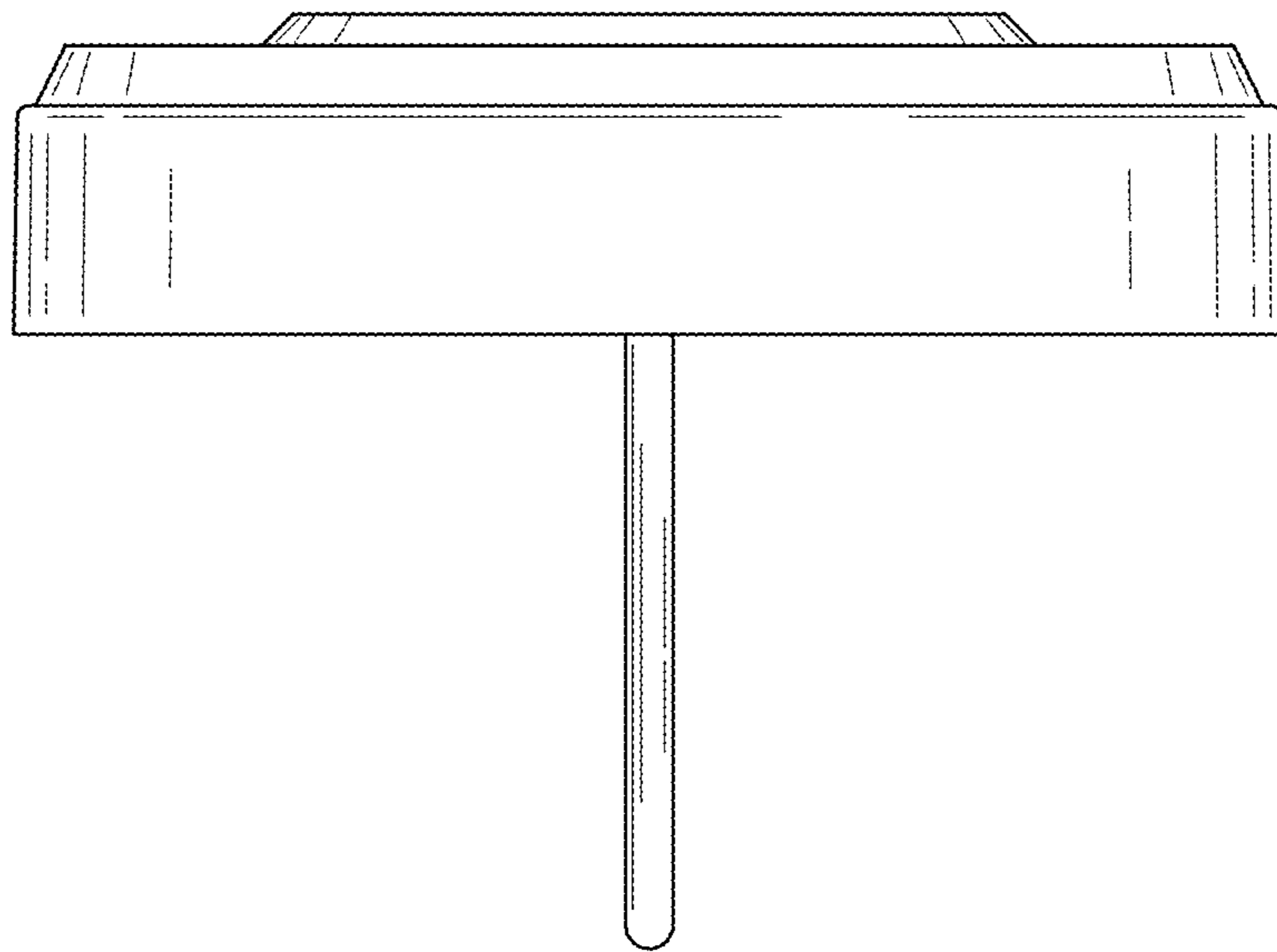


FIG. 5

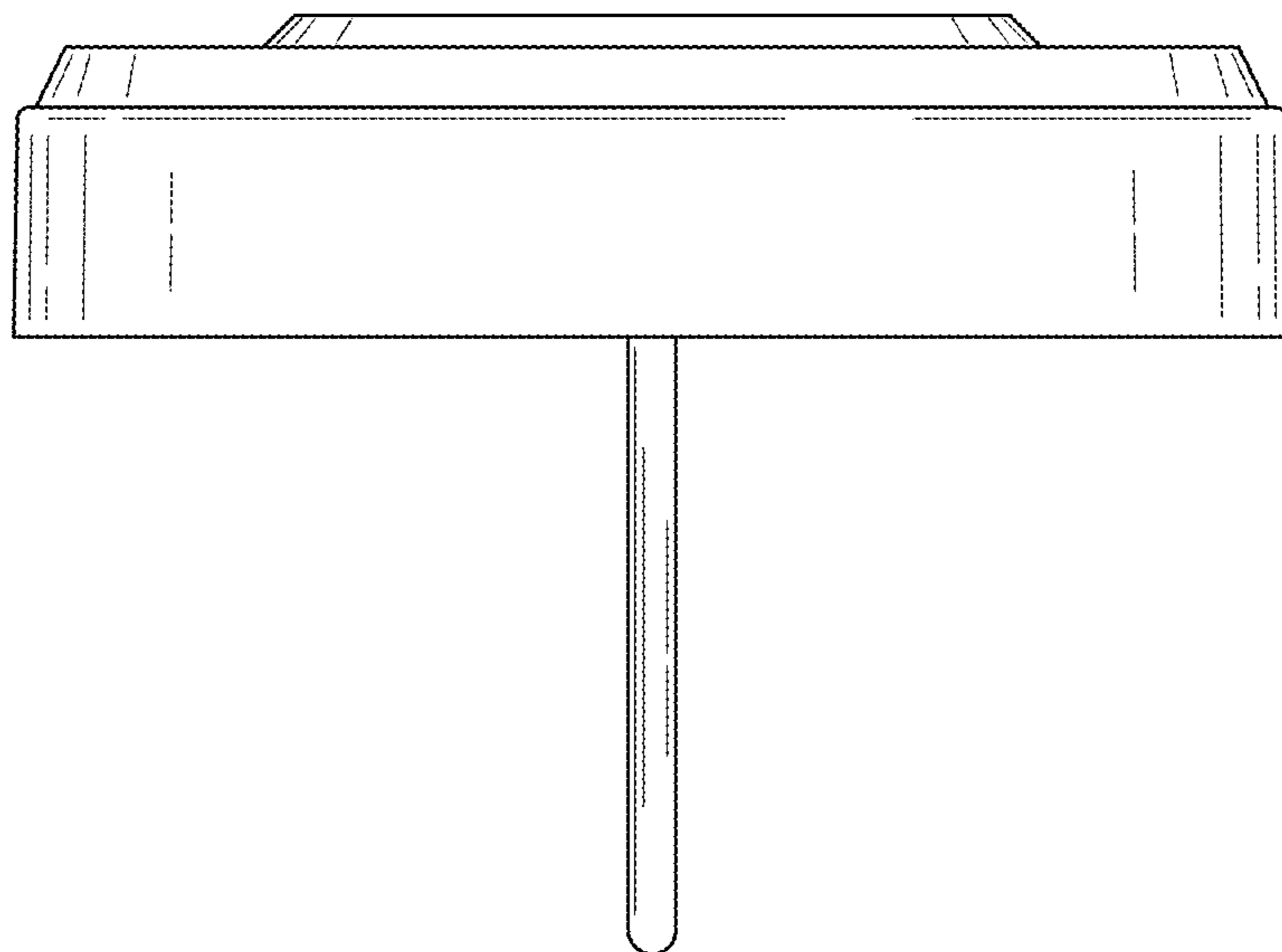


FIG. 6

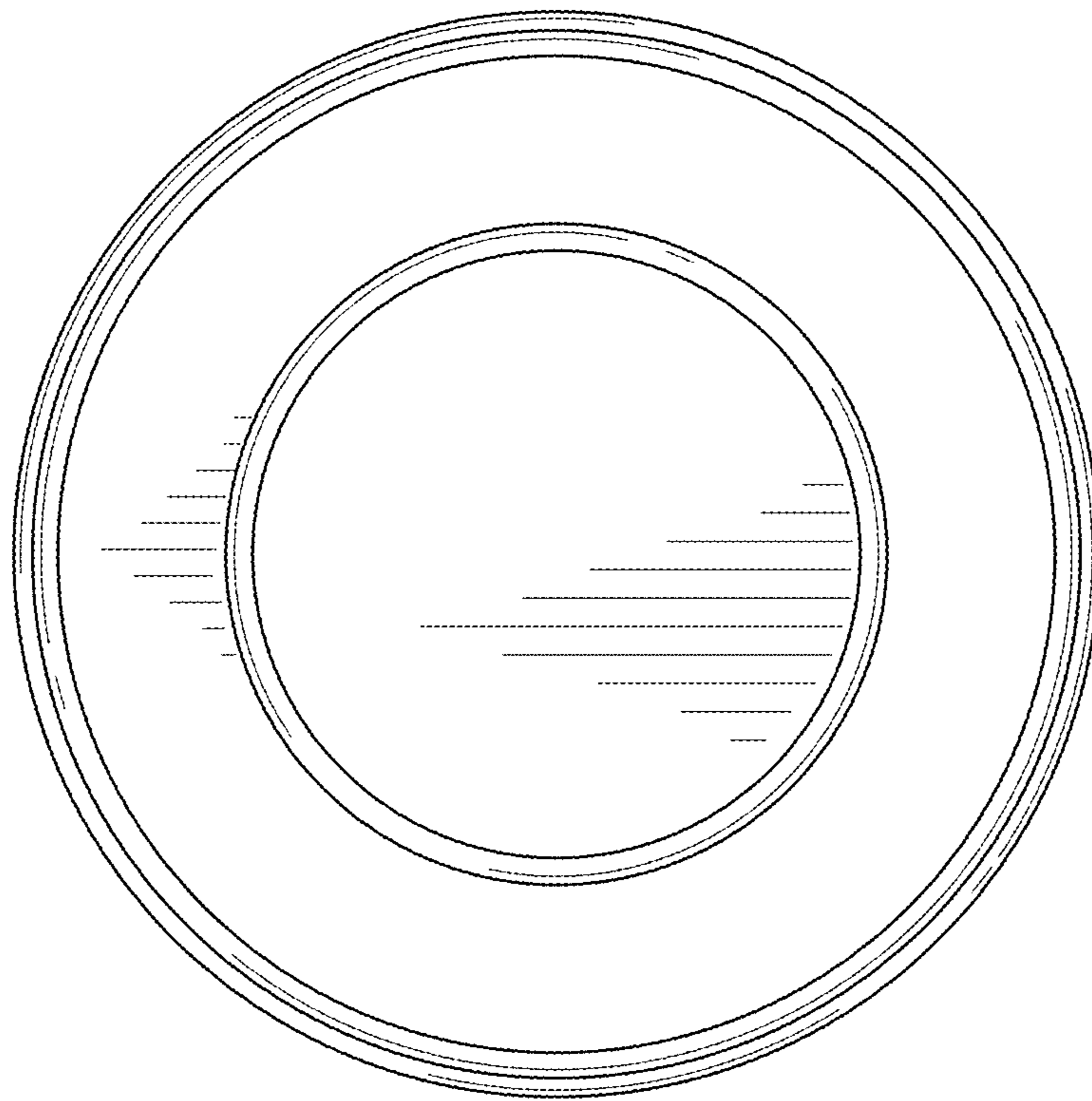


FIG. 7

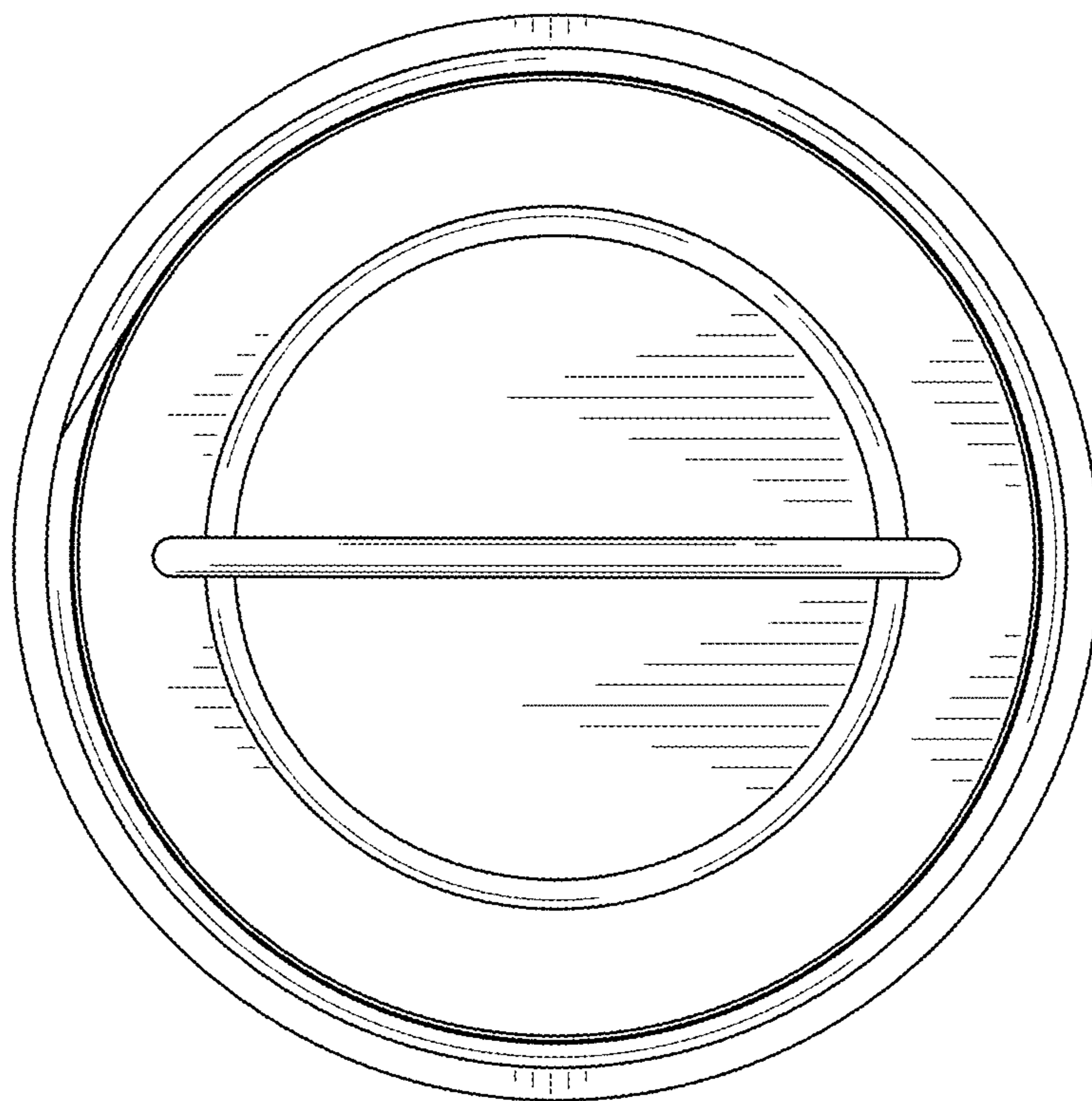


FIG. 8