



US00D962762S

(12) **United States Design Patent** (10) **Patent No.:** **US D962,762 S**
Bouqdir (45) **Date of Patent:** **** Sep. 6, 2022**

(54) **BOX FOR COFFEE BAGS**

FOREIGN PATENT DOCUMENTS

(71) Applicant: **Taha Bouqdir**, Singapore (SG)

EM	008323695-0001	*	1/2021
HK	2117989-0001	*	6/2021
KR	301090673.0000	*	1/2021
SG	30201907190 S		11/2019
SG	30201907283 P		12/2019

(72) Inventor: **Taha Bouqdir**, Singapore (SG)

(**) Term: **15 Years**

OTHER PUBLICATIONS

(21) Appl. No.: **29/772,456**

How to Make Bacha Coffee. Announced in YouTube (Nov. 8, 2021). Site visited Jun. 7, 2022. Available from internet URL: <https://www.youtube.com/watch?v=z115Q7BHN18> (Year: 2021).*

Bacha Coffee Facebook Post. Announced on Facebook (Sep. 21, 2021). Site visited Jun. 9, 2022. Available from internet URL: <https://www.facebook.com/BachaCoffeeOfficial/posts/pfbid02keT3A9F7Dp3scBWusUCG34R33Ks9YUnkFoQyVL45NgaqSkPvp2j6cGXwjBLViFkFI?t%e2%80%A6> (Year: 2021).*

(22) Filed: **Mar. 2, 2021**

(51) **LOC (13) Cl.** **09-03**

(52) **U.S. Cl.**
USPC **D9/432**

(58) **Field of Classification Search**

USPC D3/20, 201, 272, 294; D6/663, 672, 675, D6/683; D9/414, 420, 426, 532, D9/503-504; D7/538, 600.1, 601-602, D7/609-610

CPC B65D 5/00; B65D 5/0015; B65D 5/18; B65D 5/20; B65D 5/32; B65D 5/62; B65D 5/5206

See application file for complete search history.

* cited by examiner

Primary Examiner — Catherine S Posthauer
Assistant Examiner — Joan E. Diehl
 (74) *Attorney, Agent, or Firm* — Collard & Roe, P.C.

(57) **CLAIM**

The ornamental design for a box for coffee bags, as shown and described.

DESCRIPTION

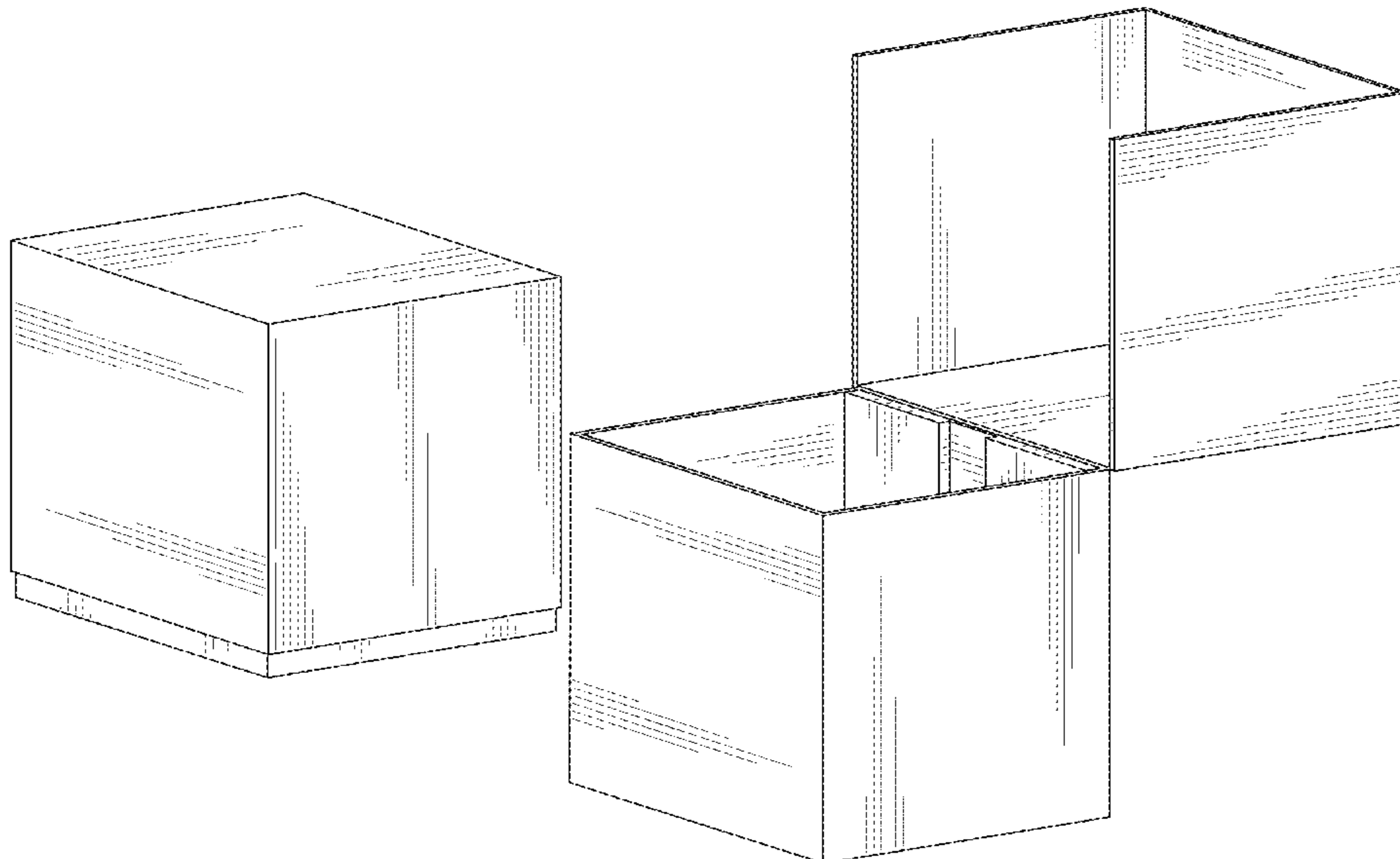
FIG. 1 is a perspective view of a box for coffee bags in a closed position;
 FIG. 2 is a front view of the box for coffee bags;
 FIG. 3 is a back view of the box for coffee bags;
 FIG. 4 is a right-side view based upon the orientation of FIG. 1;
 FIG. 5 is a left side view based upon the orientation of FIG. 1;
 FIG. 6 is a top view based upon the orientation of FIG. 1;
 FIG. 7 is a bottom view based upon the orientation of FIG. 1; and,
 FIG. 8 is a perspective view of the box for coffee bags in an open position.

(56) **References Cited**

U.S. PATENT DOCUMENTS

1,140,061 A *	5/1915	Pike	B65D 5/5206
				206/215
3,076,589 A *	2/1963	Mejdani	B65D 5/62
				229/165
D209,337 S *	11/1967	Dykes	D9/414
D320,556 S *	10/1991	Fairhurst	D9/414
D466,804 S *	12/2002	Solland	D9/418
D590,708 S *	4/2009	Maguire	D9/432
D729,059 S *	5/2015	Taylor	D9/432
D833,866 S *	11/2018	Lihotzky	D9/432
D902,030 S *	11/2020	Lemoine	D9/432
D914,495 S *	3/2021	Wikstrom	D9/432

1 Claim, 5 Drawing Sheets



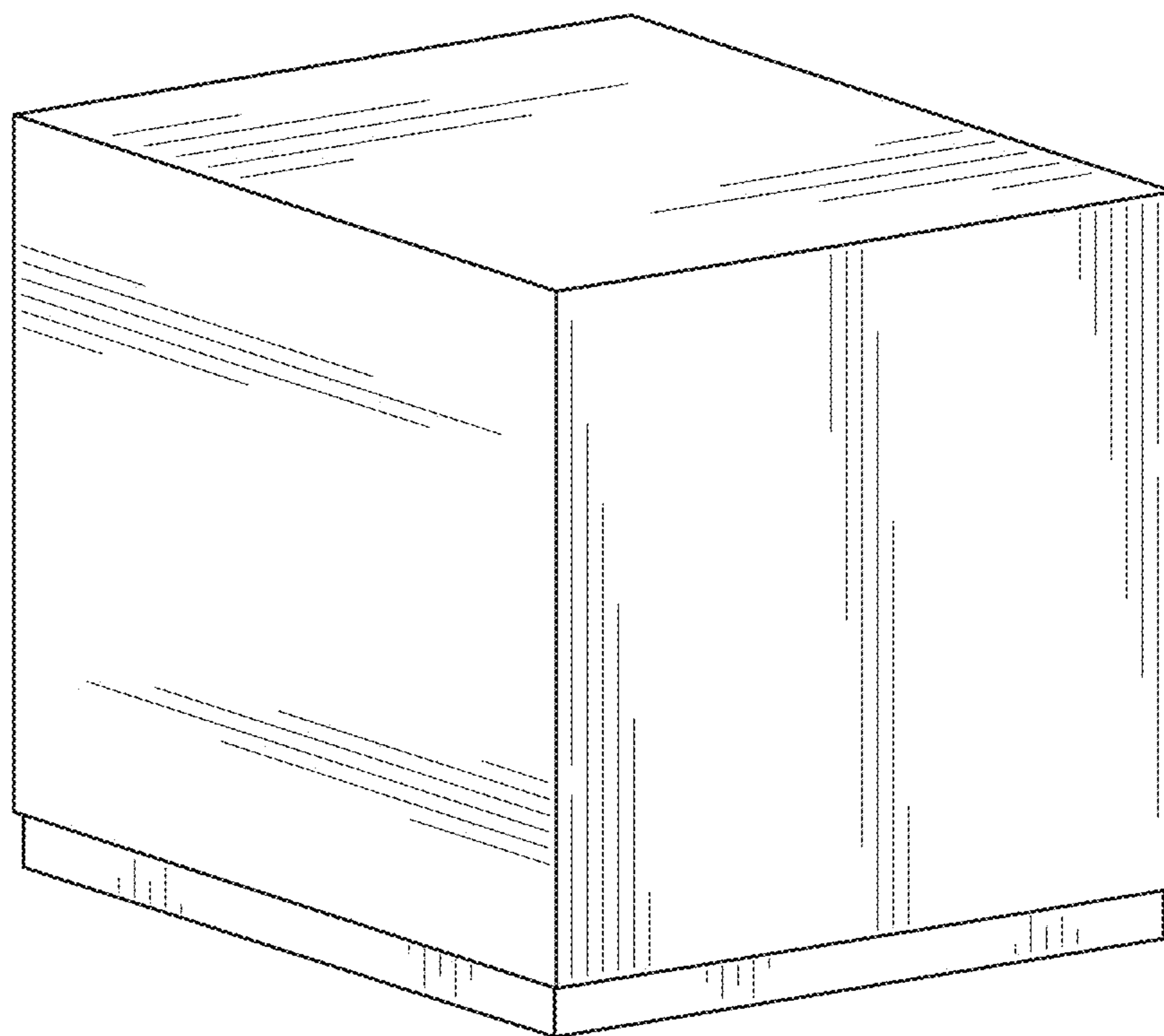


FIG. 1

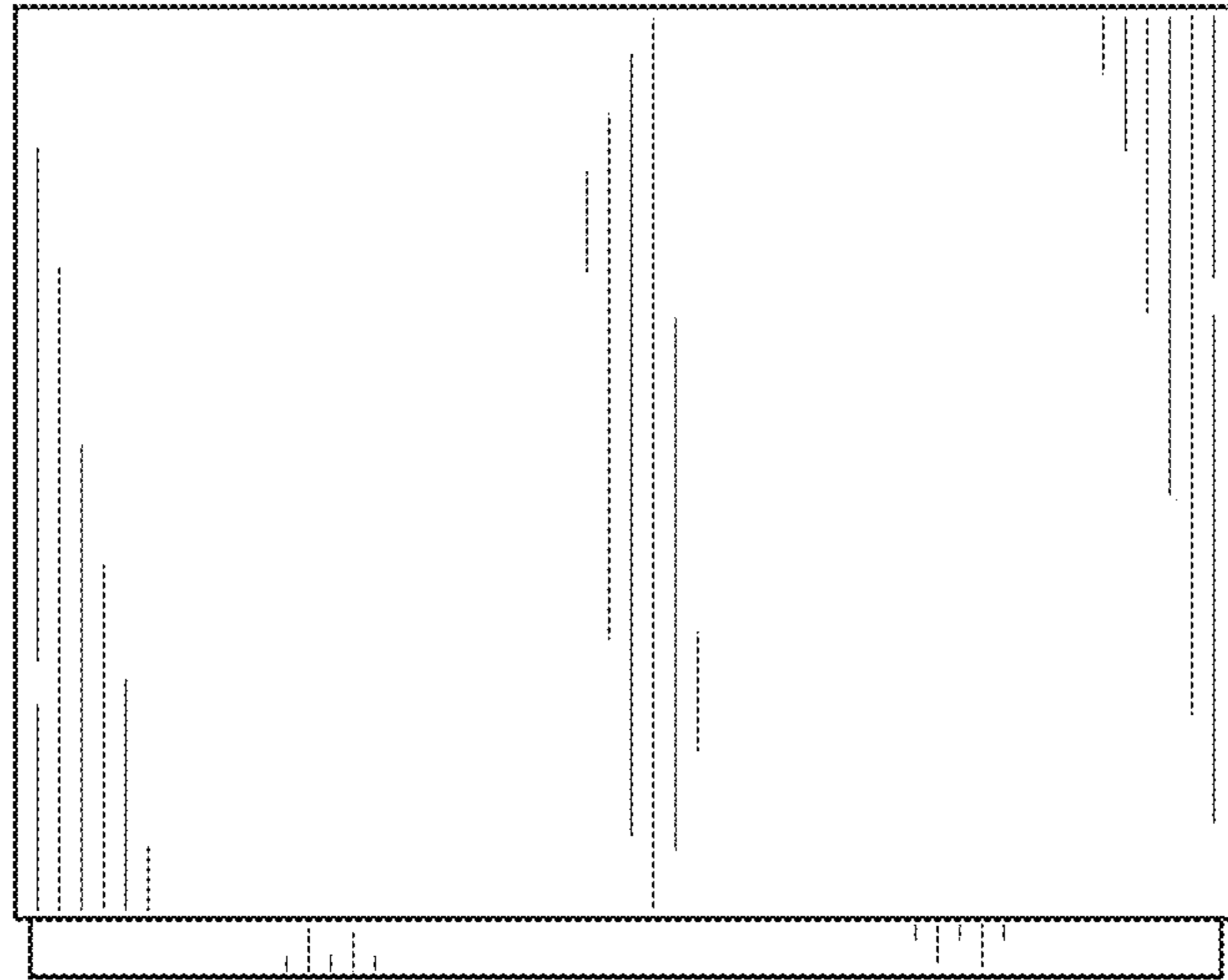


FIG. 2

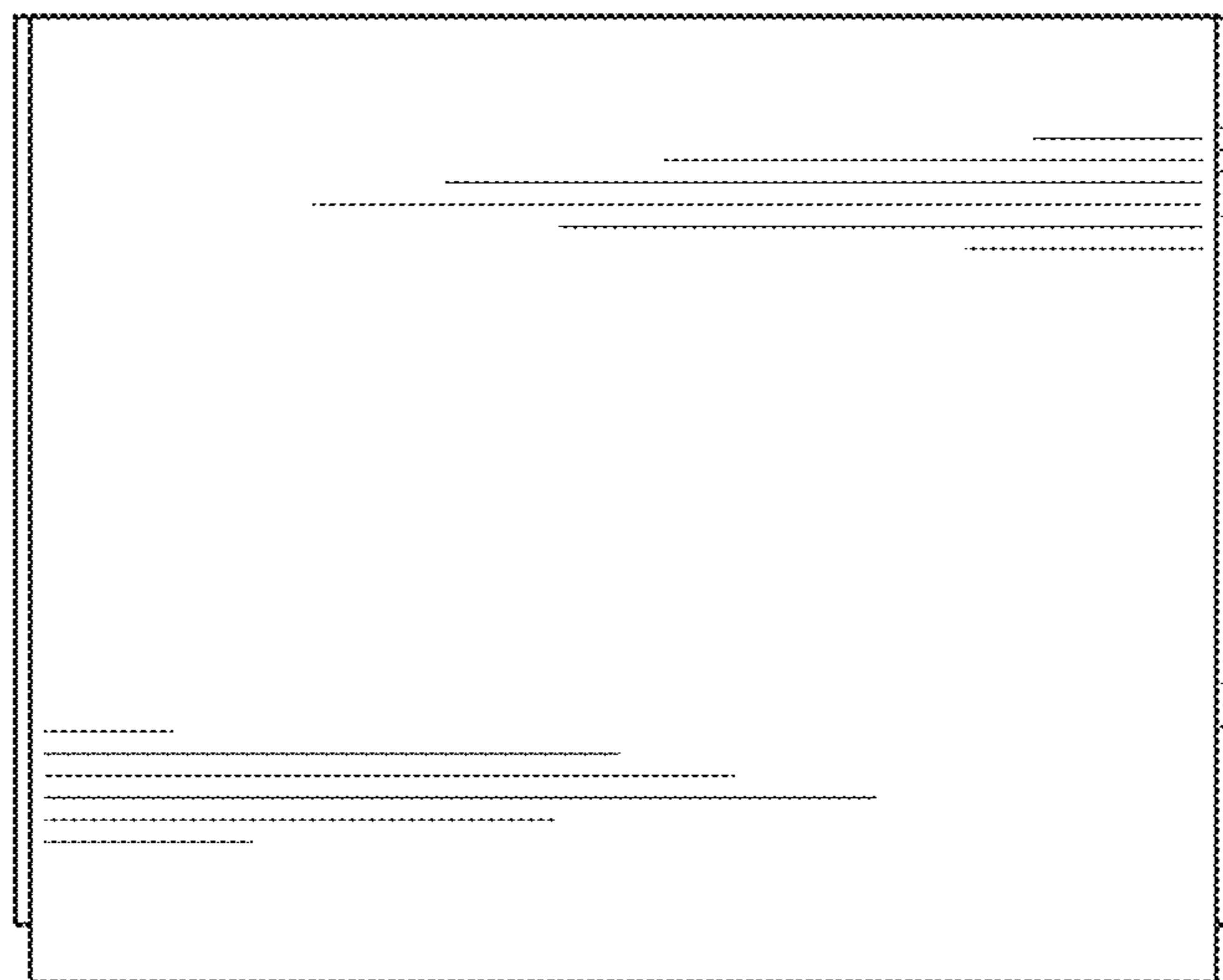


FIG. 3

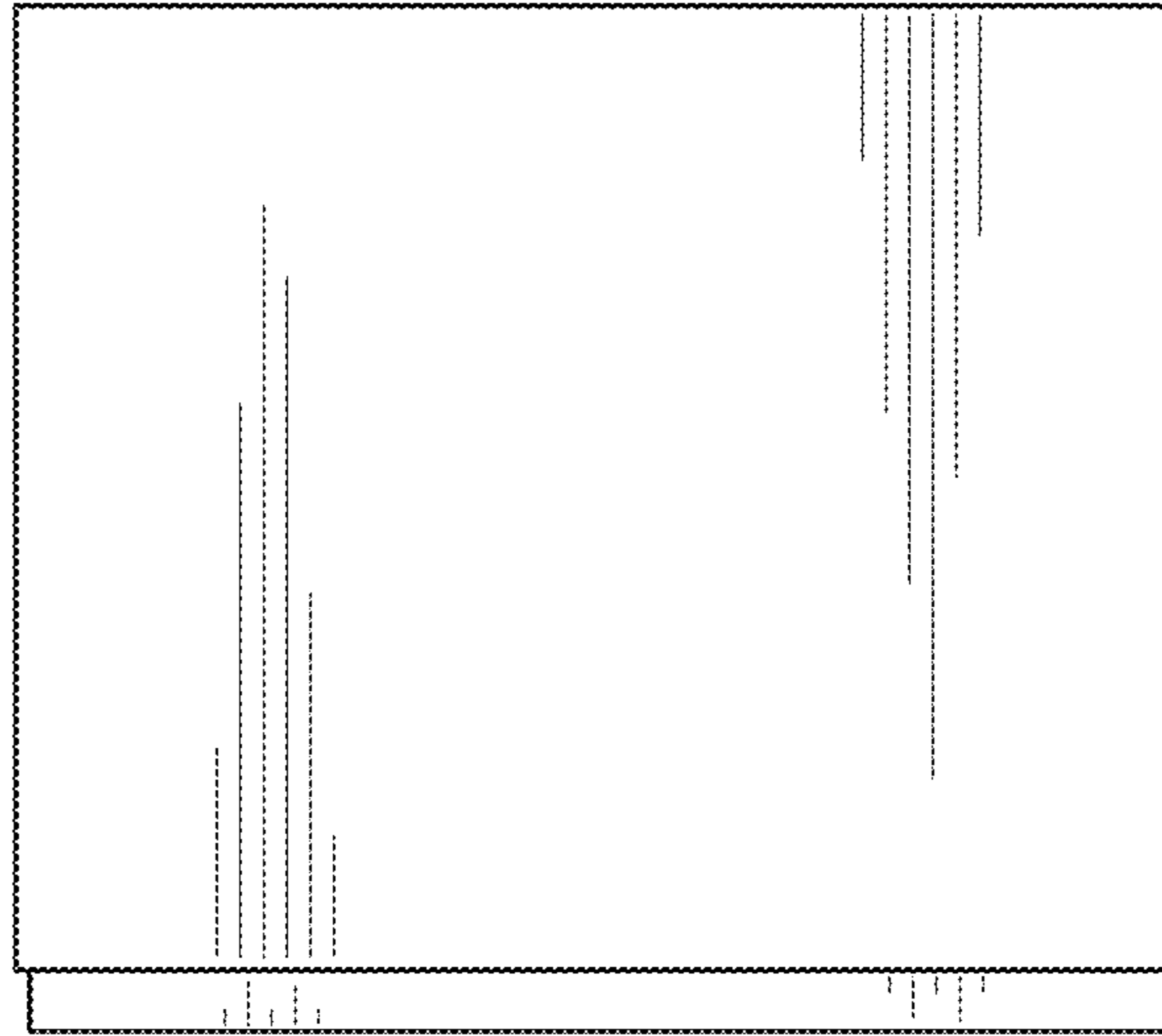


FIG. 4

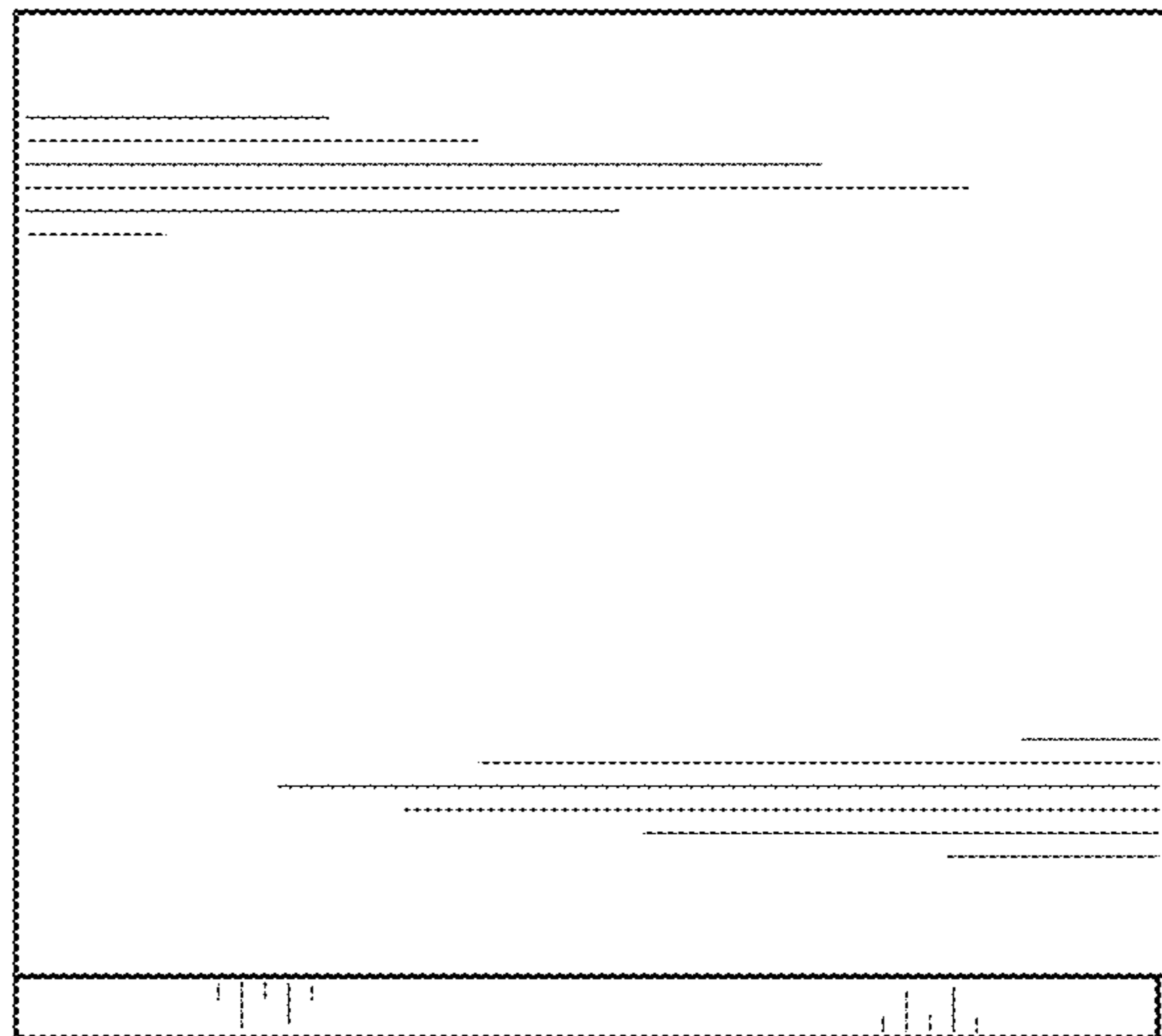


FIG. 5

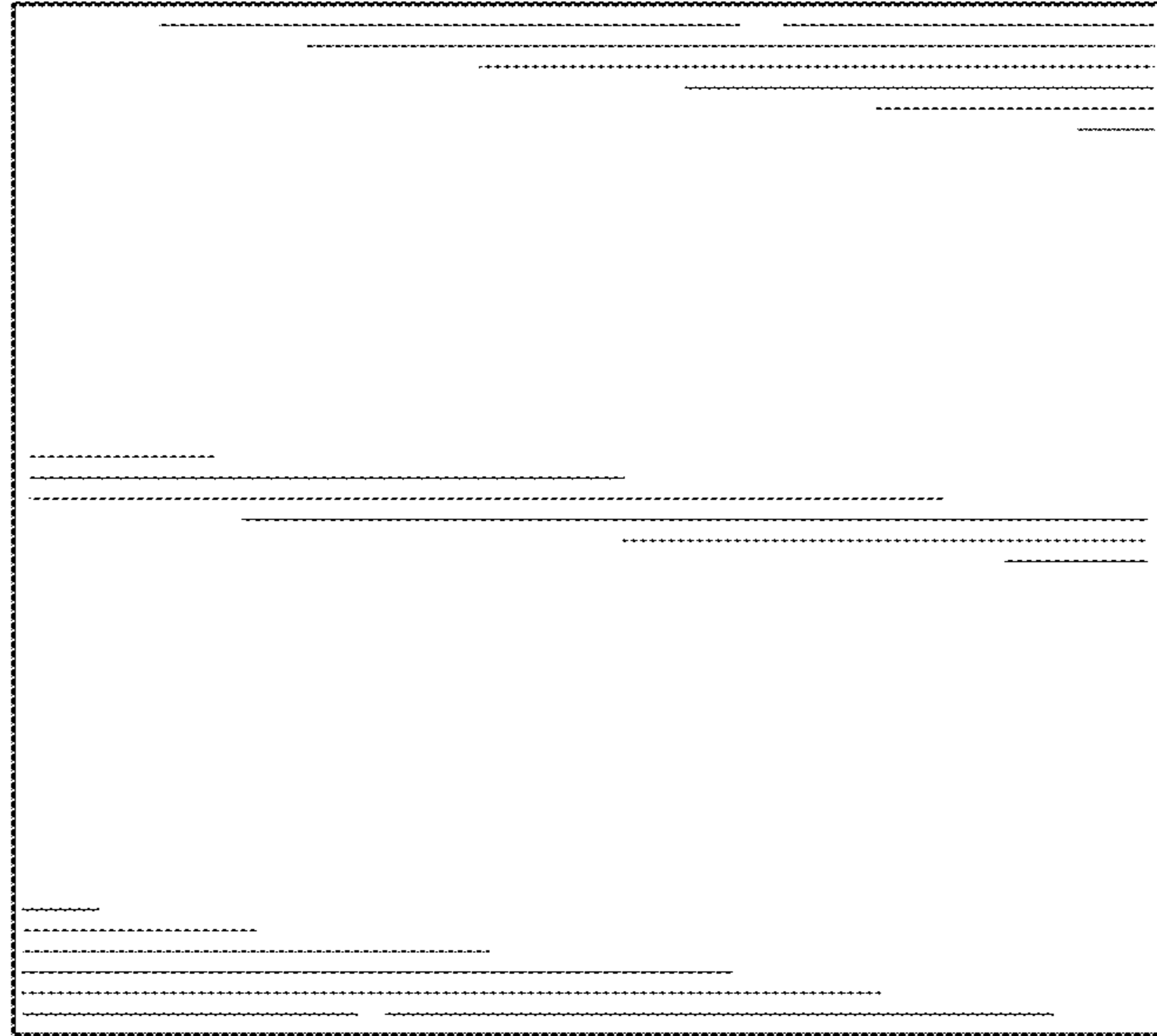


FIG. 6

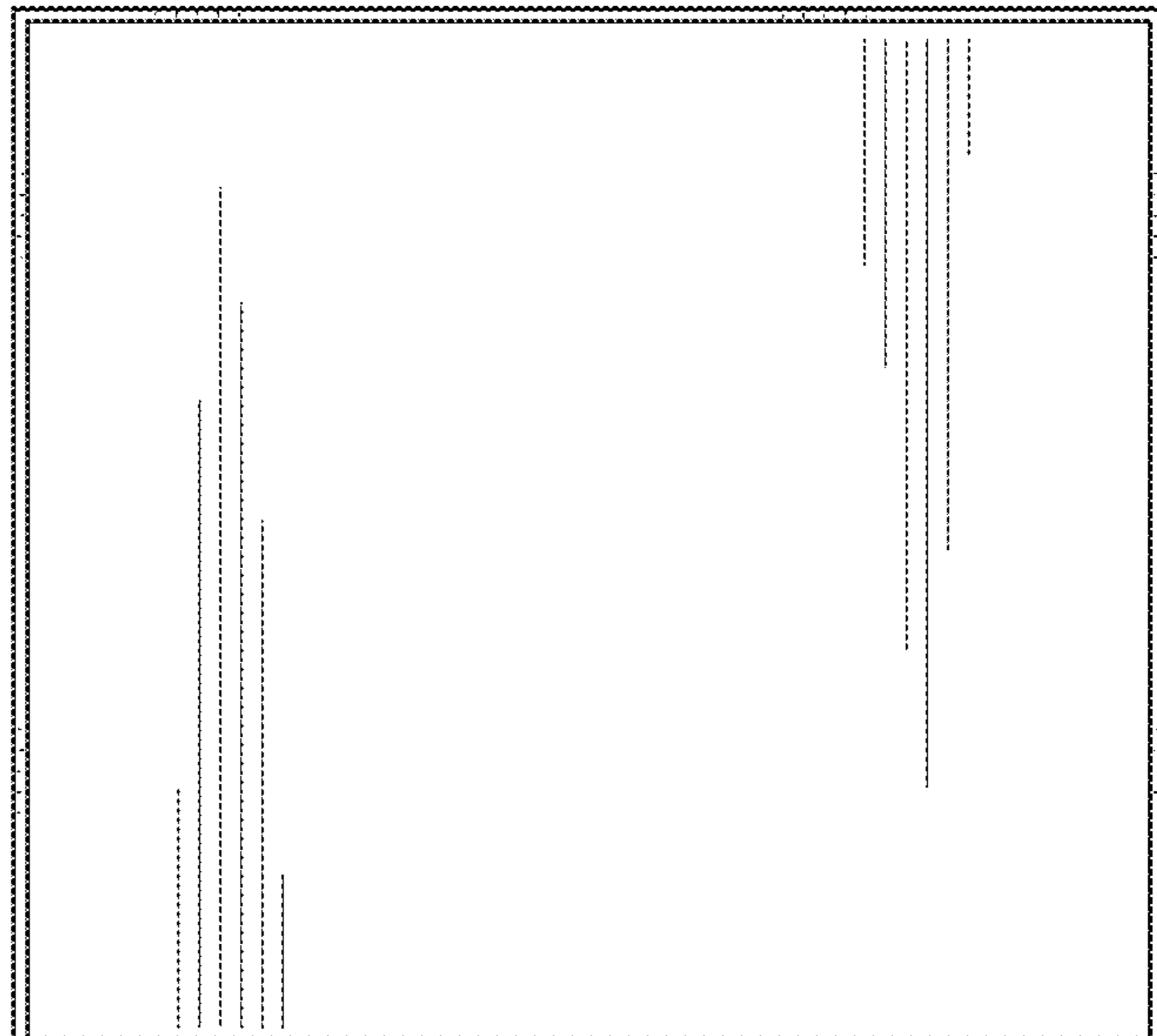


FIG. 7

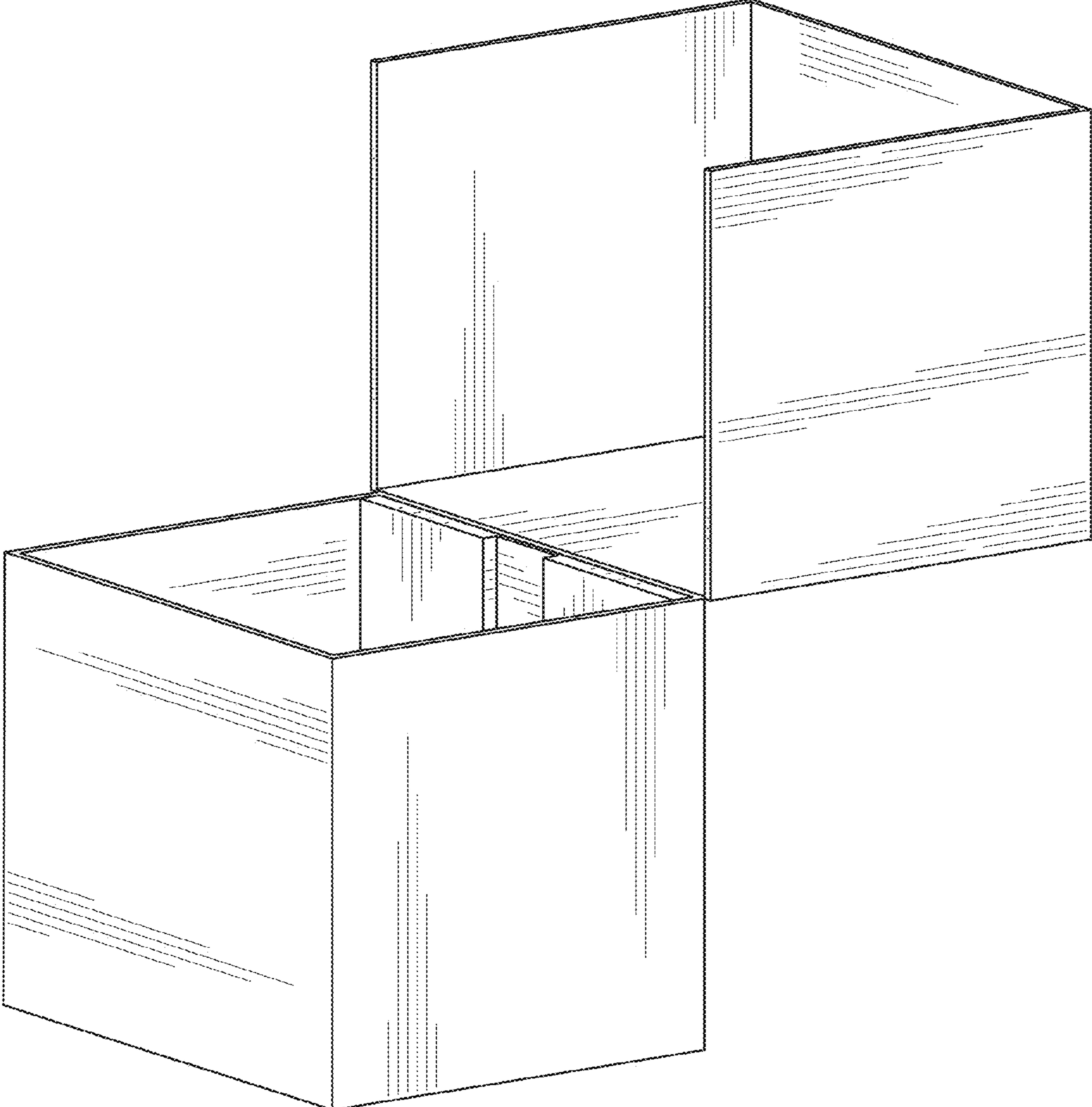


FIG. 8