



US00D962761S

(12) **United States Design Patent** (10) **Patent No.:** **US D962,761 S**
Sill et al. (45) **Date of Patent:** **** *Sep. 6, 2022**

(54) **CLOSEABLE CONTAINER**

- (71) Applicant: **Inno-Pak, LLC**, Delaware, OH (US)
- (72) Inventors: **Jonathan D. Sill**, Delaware, OH (US);
Steven A. Mayer, Indianapolis, IN (US)
- (73) Assignee: **Inno-Pak, LLC**, Delaware, OH (US)
- (*) Notice: This patent is subject to a terminal disclaimer.
- (**) Term: **15 Years**
- (21) Appl. No.: **29/722,940**
- (22) Filed: **Feb. 3, 2020**

Related U.S. Application Data

- (60) Division of application No. 29/605,393, filed on May 25, 2017, now Pat. No. Des. 879,606, which is a division of application No. 29/573,833, filed on Aug. 10, 2016, now Pat. No. Des. 787,933, which is a division of application No. 29/545,308, filed on Nov. 11, 2015, now Pat. No. Des. 774,897, which is a continuation of application No. 29/527,085, filed on May 15, 2015, now Pat. No. Des. 762,113.
- (51) **LOC (13) Cl.** **09-03**
- (52) **U.S. Cl.**
USPC **D9/432**
- (58) **Field of Classification Search**
USPC D9/414-419, 447, 715, 737, 721; D7/91,
D7/505; D3/215; D10/64; D23/366;
D6/515; D11/143; D19/59
CPC .. B65D 5/4204; B65D 5/4266; B65D 5/4208;
B65D 85/36

See application file for complete search history.

(56) **References Cited**

U.S. PATENT DOCUMENTS

D259,253 S	5/1981	Nelson	
D262,945 S	2/1982	Lytra	
D263,796 S *	4/1982	Fireman	D9/418
D265,551 S *	7/1982	Colby	D9/415
D271,283 S *	11/1983	Taylor	D9/415
D271,664 S *	12/1983	Cowan, Jr.	D9/418
D274,407 S *	6/1984	Rosenburg, Jr.	D9/418
D279,355 S *	6/1985	Ujiiie	D9/414
D291,065 S	7/1987	Pugh	
D295,958 S	5/1988	Pugh	
D295,959 S *	5/1988	Pugh	D9/737
D300,906 S *	5/1989	Caldwell	D9/418
D302,948 S *	8/1989	Blum	D9/715
D304,907 S *	12/1989	Tamsen	D9/418
D305,204 S *	12/1989	Reifein	D9/761
4,911,298 A	3/1990	Miyagawa et al.	
D308,941 S *	7/1990	Kong	D7/505
D309,262 S	7/1990	Coiner	
D309,753 S *	8/1990	Kagelmann-Holtz	D19/59
D326,225 S *	5/1992	Beckerman	D9/416
5,114,002 A	5/1992	Warner	
D332,347 S	1/1993	Raadt et al.	
D332,744 S	1/1993	McCooley	
D333,781 S	3/1993	Kobel	
D335,820 S *	5/1993	Detert	D9/761

(Continued)

Primary Examiner — Rhea Shields

(74) *Attorney, Agent, or Firm* — Ward and Smith, P.A.;
Ryan K. Simmons

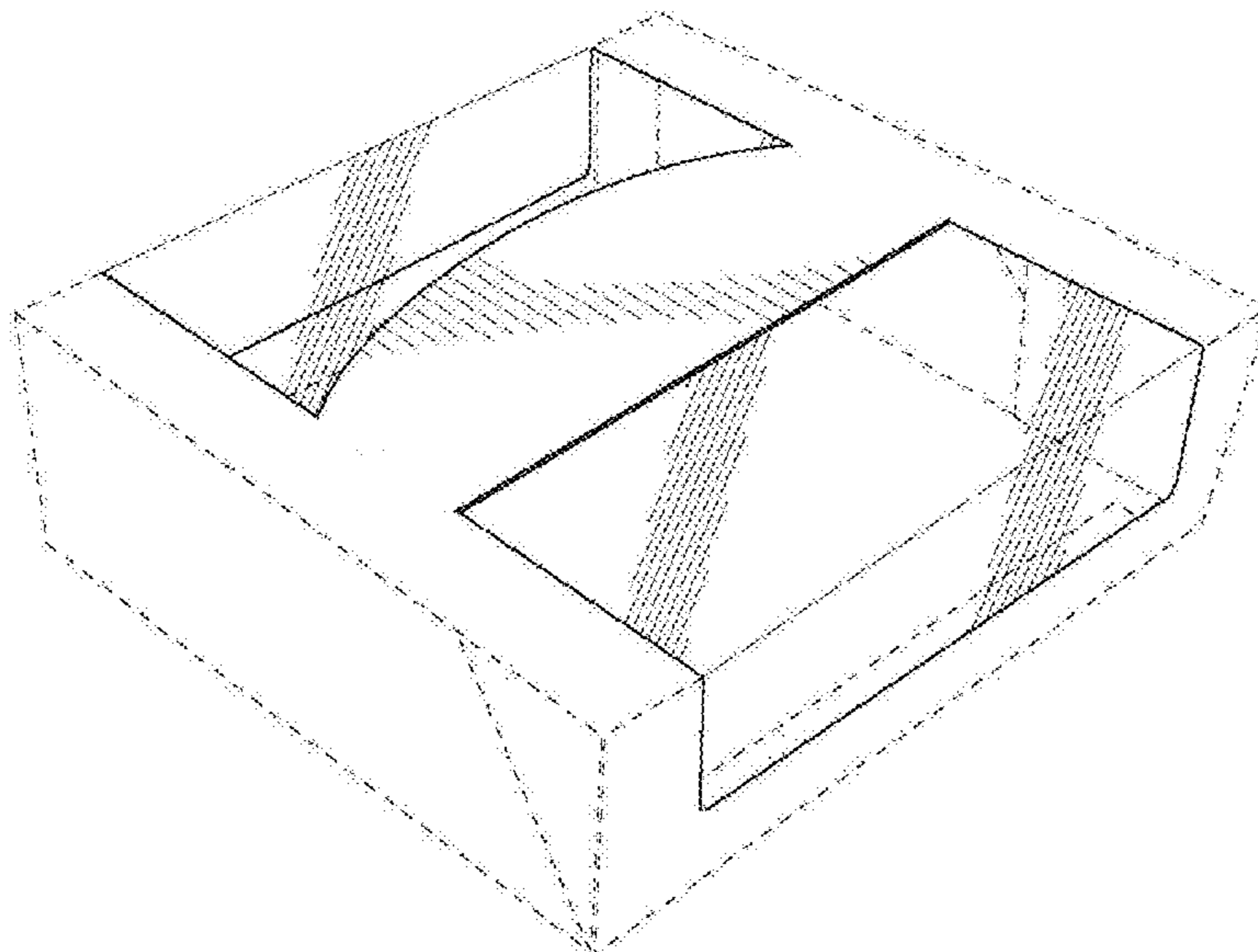
(57) **CLAIM**

The ornamental design for a closeable container, as shown and described.

DESCRIPTION

The FIGURE is a perspective view of a closeable container, showing our new design.
In the FIGURE the dash-dash broken lines are for the purpose of illustrating environment and form no part of the claimed design.

1 Claim, 1 Drawing Sheet



(56)

References Cited

U.S. PATENT DOCUMENTS

D337,047 S *	7/1993	Pearce	D9/415	D668,540 S	10/2012	Lutzig	
D351,554 S *	10/1994	Kim	D9/415	D675,092 S	1/2013	Sill	
D362,405 S *	9/1995	Dallimore	D11/143	8,356,743 B2	1/2013	Spivey, Sr.	
D365,755 S	1/1996	Kanfer et al.		D675,920 S	2/2013	Sill	
5,505,372 A	4/1996	Edson et al.		8,376,214 B2	2/2013	Spivey, Sr. et al.	
D371,070 S *	6/1996	Brier	D9/415	D678,779 S	3/2013	Lee	
D371,959 S *	7/1996	Hupp	D9/418	D679,950 S	4/2013	Cooper	
D372,401 S	8/1996	Lillelund et al.		D681,444 S	5/2013	Oja et al.	
D378,126 S *	2/1997	Williams	D23/366	D685,633 S	7/2013	Thomas	
D380,964 S *	7/1997	Miller	D9/415	D688,568 S	8/2013	Noel	
D383,669 S *	9/1997	Taylor	D9/669	D693,215 S	11/2013	Sill	
D386,079 S *	11/1997	Harper	D9/418	D693,216 S	11/2013	Sill	
D387,979 S *	12/1997	Dolan	D9/415	D693,217 S	11/2013	Sill	
D389,739 S *	1/1998	Auclair	D9/418	D693,218 S	11/2013	Sill	
D401,147 S	11/1998	Miller		D695,104 S	12/2013	Sill	
D403,576 S *	1/1999	Weiss	D9/447	D696,725 S	12/2013	Sasken-Duff et al.	
D406,754 S *	3/1999	Tanabe	D9/415	8,607,987 B2	12/2013	Oja et al.	
D415,960 S	11/1999	Majdanski et al.		D699,103 S	2/2014	Rathbone et al.	
5,992,733 A	11/1999	Gomes		D706,132 S	6/2014	Sill	
D425,702 S *	5/2000	Baich	D10/64	D708,511 S	7/2014	Green	
D429,462 S *	8/2000	Kumakura	D9/415	D710,713 S	8/2014	Fath	
D429,635 S *	8/2000	Ito	D9/415	D712,275 S	9/2014	Irek	
D430,017 S *	8/2000	Ito	D9/415	D713,716 S	9/2014	Oja et al.	
D430,396 S *	9/2000	Biesecker	D3/215	D716,649 S	11/2014	McAdam	
D433,260 S *	11/2000	Shimbo	D6/515	D717,162 S	11/2014	Baker	
D440,491 S	4/2001	Stacy-Ryan		D717,163 S	11/2014	Paulsen	
D442,859 S *	5/2001	Hirschey	D9/418	D717,645 S	11/2014	Wilmers	
6,227,367 B1	5/2001	Harrelson et al.		D719,440 S	12/2014	Matloff	
D443,204 S *	6/2001	Garrant	D9/415	D719,845 S	12/2014	Lee	
D464,878 S	10/2002	Thompson		D722,869 S	2/2015	Himmelsbach et al.	
D469,349 S	1/2003	Meeker et al.		D726,004 S	4/2015	Chiang	
D469,692 S	2/2003	Meeker et al.		D727,732 S	4/2015	Petty	
D485,172 S	1/2004	Defino, Jr.		D728,357 S	5/2015	Pierce, Jr. et al.	
D518,371 S	4/2006	Franic		D729,055 S	5/2015	Lemnios et al.	
D519,366 S	4/2006	Epstein		D729,058 S	5/2015	Ishikawa	
D527,629 S	9/2006	Franic		D734,145 S	7/2015	Fath et al.	
D536,245 S	2/2007	Bruun		D739,228 S	9/2015	Jondal et al.	
D536,612 S	2/2007	Geurts et al.		D740,654 S	10/2015	Boehnen et al.	
D540,164 S	4/2007	Franic		D743,248 S	11/2015	Fath et al.	
D556,599 S *	12/2007	Keener	D9/721	D746,673 S	1/2016	Sanfilippo et al.	
D570,683 S	6/2008	Kortsmit et al.		D746,699 S	1/2016	Fath	
D578,883 S	10/2008	Kisch		D746,700 S	1/2016	Boehnen et al.	
D580,751 S	11/2008	Blick		D753,919 S	4/2016	Parker	
7,444,956 B2	11/2008	Vadis		D760,598 S	7/2016	White et al.	
D582,791 S	12/2008	Elmerhaus		D762,113 S	7/2016	Mayer et al.	
D587,998 S	3/2009	Kaisanlahti et al.		D762,465 S	8/2016	Popper et al.	
D593,211 S	5/2009	Dewitt		D766,108 S	9/2016	Brown et al.	
D595,104 S	6/2009	Goodrich		D774,891 S	12/2016	Mayer et al.	
D596,027 S	7/2009	Kalberer		D774,893 S	12/2016	Mayer et al.	
D601,016 S	9/2009	Kalberer		D774,895 S	12/2016	Mayer et al.	
D602,353 S	10/2009	Anderson et al.		D774,896 S	12/2016	Mayer et al.	
D605,506 S	12/2009	Franic		D774,897 S	12/2016	Mayer et al.	
D607,987 S	1/2010	Paxton et al.		D774,898 S	12/2016	Mayer et al.	
D616,739 S	6/2010	Kalberer		D776,522 S	1/2017	Mayer et al.	
D617,636 S	6/2010	Vanhoutte		D784,164 S *	4/2017	Toth	D6/515
D618,543 S	6/2010	Polaski et al.		D786,663 S	5/2017	Mayer et al.	
7,780,004 B2	8/2010	Carlozzi et al.		D787,313 S	5/2017	Mayer et al.	
D623,939 S	9/2010	Tearle		D787,314 S	5/2017	Sill et al.	
D624,405 S	9/2010	Franic		D787,315 S	5/2017	Sill et al.	
D626,831 S	11/2010	Nicholas		D787,316 S	5/2017	Sill et al.	
D629,294 S	12/2010	Chinnis		D787,929 S	5/2017	Sill et al.	
D629,295 S	12/2010	Franic		D787,933 S	5/2017	Sill et al.	
D636,662 S	4/2011	Ignacio et al.		D789,783 S	6/2017	DeBusk	
D637,078 S	5/2011	Peng		D795,696 S	8/2017	Pitera et al.	
D637,488 S	5/2011	Franic		D799,317 S	10/2017	Sill et al.	
D638,702 S	5/2011	Lowery et al.		D799,955 S	10/2017	Sill et al.	
D644,099 S	8/2011	Martinez		D800,546 S	10/2017	Sill et al.	
D644,508 S	9/2011	Martinez		D800,547 S	10/2017	Sill et al.	
D646,964 S	10/2011	Ampadu et al.		D800,548 S	10/2017	Sill et al.	
D647,398 S	10/2011	Winkler		D804,298 S	12/2017	Demmink	
D649,067 S	11/2011	Birdwell et al.		D809,917 S	2/2018	Wieser	
D649,451 S	11/2011	Franic		D816,479 S *	5/2018	Sill	D9/418
D649,886 S	12/2011	Ocampo		D816,480 S	5/2018	Sill et al.	
D651,074 S	12/2011	Lacey		D816,481 S	5/2018	Sill et al.	
D655,153 S	3/2012	Mitten et al.		D820,688 S	6/2018	Fath	
				D822,283 S	7/2018	Gaito	
				D822,480 S	7/2018	Rivera	
				D829,095 S	9/2018	McKenna et al.	
				D839,725 S	2/2019	Ralston et al.	

(56)

References Cited

U.S. PATENT DOCUMENTS

D840,219 S	2/2019	McKenna et al.	D879,604 S *	3/2020	Sill	D9/418
D840,807 S	2/2019	Ross	D880,999 S	4/2020	Sill et al.	
D842,098 S	3/2019	Ross	D881,000 S *	4/2020	Sill	D9/418
D844,430 S	4/2019	Dammers et al.	D881,001 S *	4/2020	Sill	D9/418
D846,378 S	4/2019	Sill et al.	D881,002 S *	4/2020	Sill	D9/418
D846,379 S	4/2019	Sill et al.	2009/0236351 A1	9/2009	Chu et al.	
D846,981 S	4/2019	Sill et al.	2010/0059579 A1	3/2010	House	
D846,982 S	4/2019	Horne	2013/0220873 A1	8/2013	Holley, Jr.	
D847,454 S	4/2019	Mathia	2014/0103100 A1	4/2014	Falcon et al.	
D847,626 S	5/2019	Sill et al.	2015/0344216 A1	12/2015	Petty et al.	
D852,032 S	6/2019	Horne	2016/0009442 A1	1/2016	Block et al.	
D854,925 S	7/2019	Fath	2016/0362220 A1	12/2016	Kearns	
D856,131 S	8/2019	Hon	2017/0066586 A1	3/2017	Petty et al.	
D856,794 S	8/2019	Sill et al.	2018/0009585 A1	1/2018	Ramsuer et al.	
D856,795 S	8/2019	Sill et al.	2018/0022500 A1	1/2018	Zhu	
D856,796 S	8/2019	Sill et al.	2018/0118403 A1	5/2018	Petty et al.	
D856,797 S	8/2019	Sill et al.	2018/0127141 A1	5/2018	Brundage et al.	
D865,517 S	11/2019	Gressel et al.	2018/0141734 A1	5/2018	Kooc et al.	
D866,314 S	11/2019	Marotti	2018/0297761 A1	10/2018	Alexander et al.	
D867,125 S	11/2019	Sill et al.	2018/0319560 A1	11/2018	Blin et al.	
D879,603 S	3/2020	Sill et al.	2019/0009946 A1	1/2019	Nixon et al.	
			2019/0016501 A1	1/2019	Djokovic et al.	
			2019/0144157 A1	5/2019	Sill et al.	

* cited by examiner

