



US00D962760S

(12) **United States Design Patent**
Connellan

(10) **Patent No.:** **US D962,760 S**

(45) **Date of Patent:** **** Sep. 6, 2022**

(54) **PRODUCT PACKAGING**

D702,126 S * 4/2014 Marchetti B65D 81/113
D9/456

(71) Applicant: **Rhino Rack Australia Pty Limited,**
Eastern Creek (AU)

D781,148 S * 3/2017 Kemp D9/756
D909,864 S * 2/2021 Bontrager D9/425

(72) Inventor: **Adam Connellan,** Sydney (AU)

FOREIGN PATENT DOCUMENTS

(73) Assignee: **Rhino Rack Australia Pty Limited,**
Eastern Creek (AU)

GB 9007951314-0001 * 5/2020

(**) Term: **15 Years**

* cited by examiner

(21) Appl. No.: **29/735,828**

Primary Examiner — Brett Miller

(22) Filed: **May 25, 2020**

Assistant Examiner — Rani J Abdallah

(74) *Attorney, Agent, or Firm* — Bakos & Kritzer

(30) **Foreign Application Priority Data**

Nov. 26, 2019 (AU) 201916714

(51) **LOC (13) Cl.** **09-03**

(52) **U.S. Cl.**
USPC **D9/424; D9/456**

(58) **Field of Classification Search**

USPC D9/414, 516, 454, 456, 544, 690, 430,
D9/434, 415, 424, 425, 428, 455, 737,
D9/739, 751-755, 756, 760, 420, 421,
D9/426, 429-432, 749; D14/489;
D23/269

CPC B65D 5/42; B65D 81/24; B65D 73/00;
B65D 2577/10; B65D 5/48038

See application file for complete search history.

(56) **References Cited**

U.S. PATENT DOCUMENTS

D280,383 S * 9/1985 Tendick D9/425
D444,950 S * 7/2001 Hwang D9/456

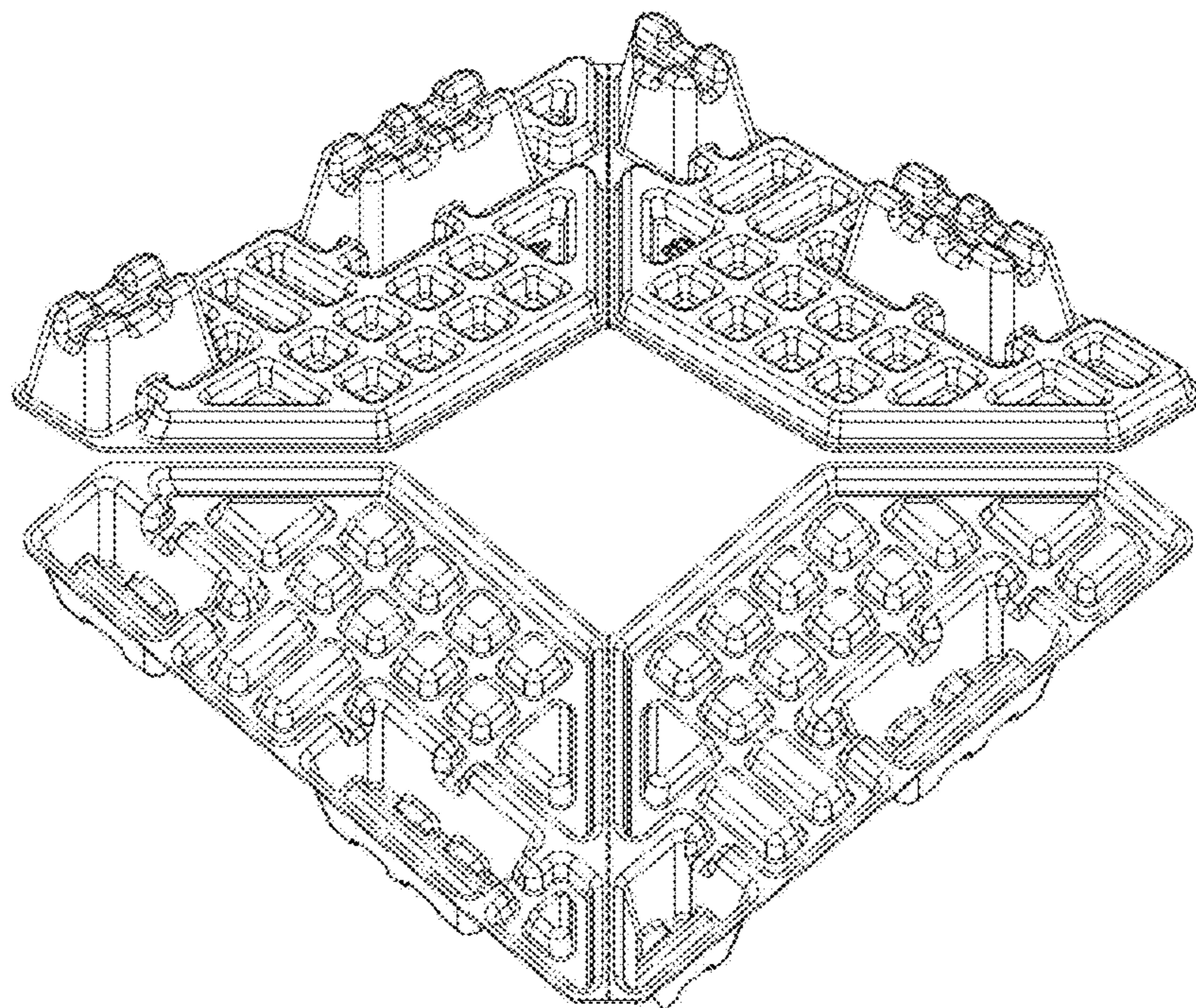
(57) **CLAIM**

The ornamental design for product packaging, as shown and described.

DESCRIPTION

FIG. 1 is a top perspective view of product packaging showing the new design;
FIG. 2 is a bottom perspective view thereof;
FIG. 3 is a front view thereof;
FIG. 4 is a rear view thereof;
FIG. 5 is a top view thereof;
FIG. 6 is a bottom view thereof;
FIG. 7 is a left side view thereof; and,
FIG. 8 is a right side view thereof.

1 Claim, 8 Drawing Sheets



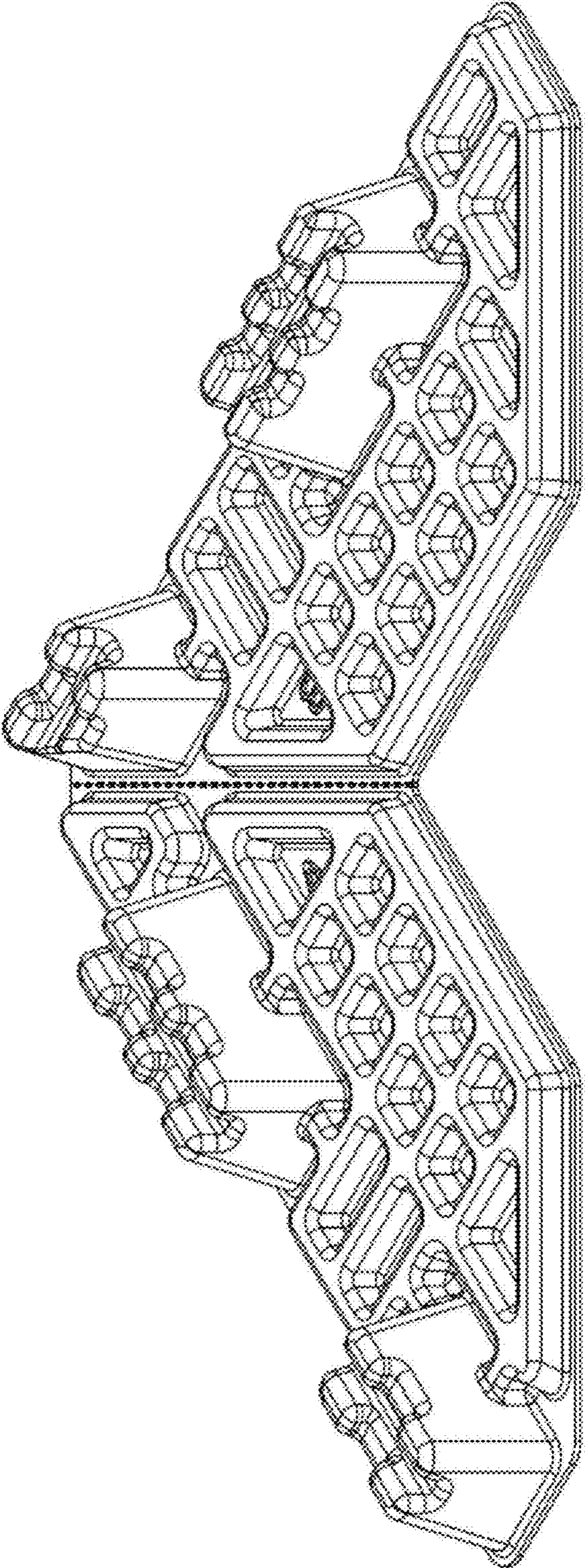


FIG. 1

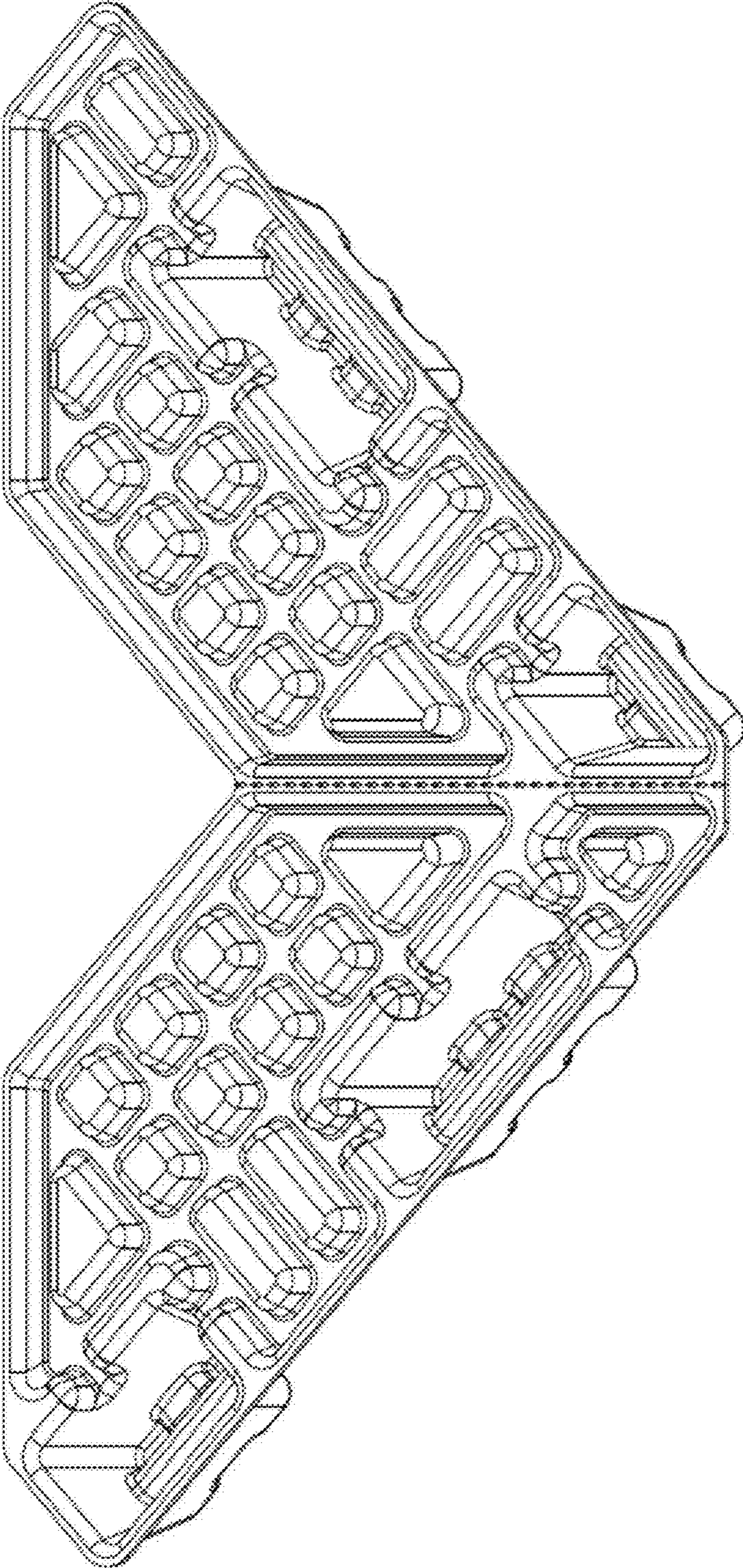


FIG. 2

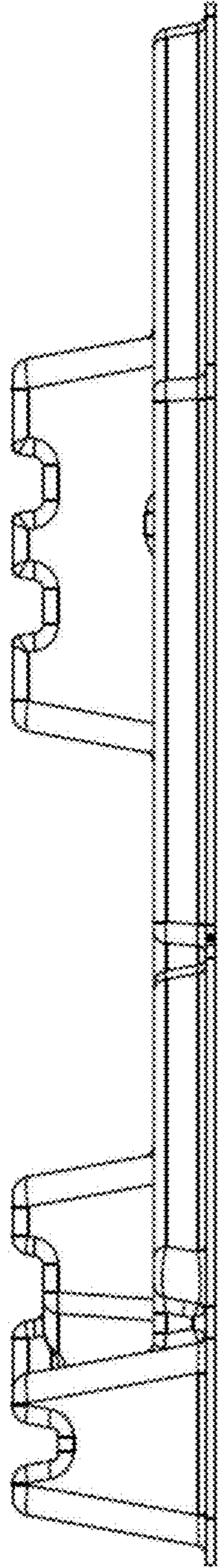


FIG. 3

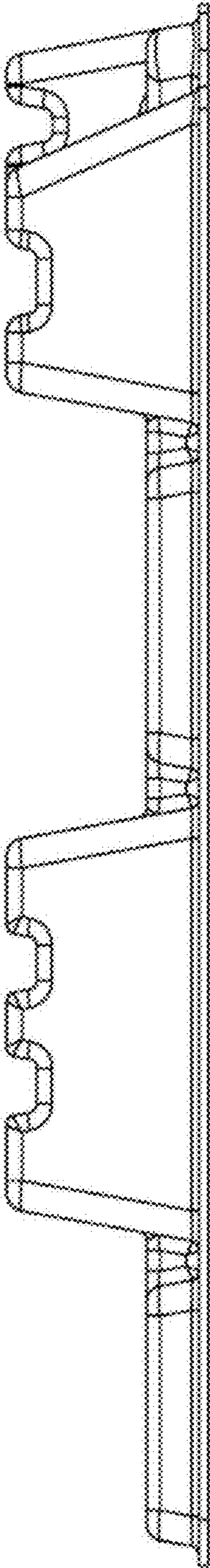


FIG. 4

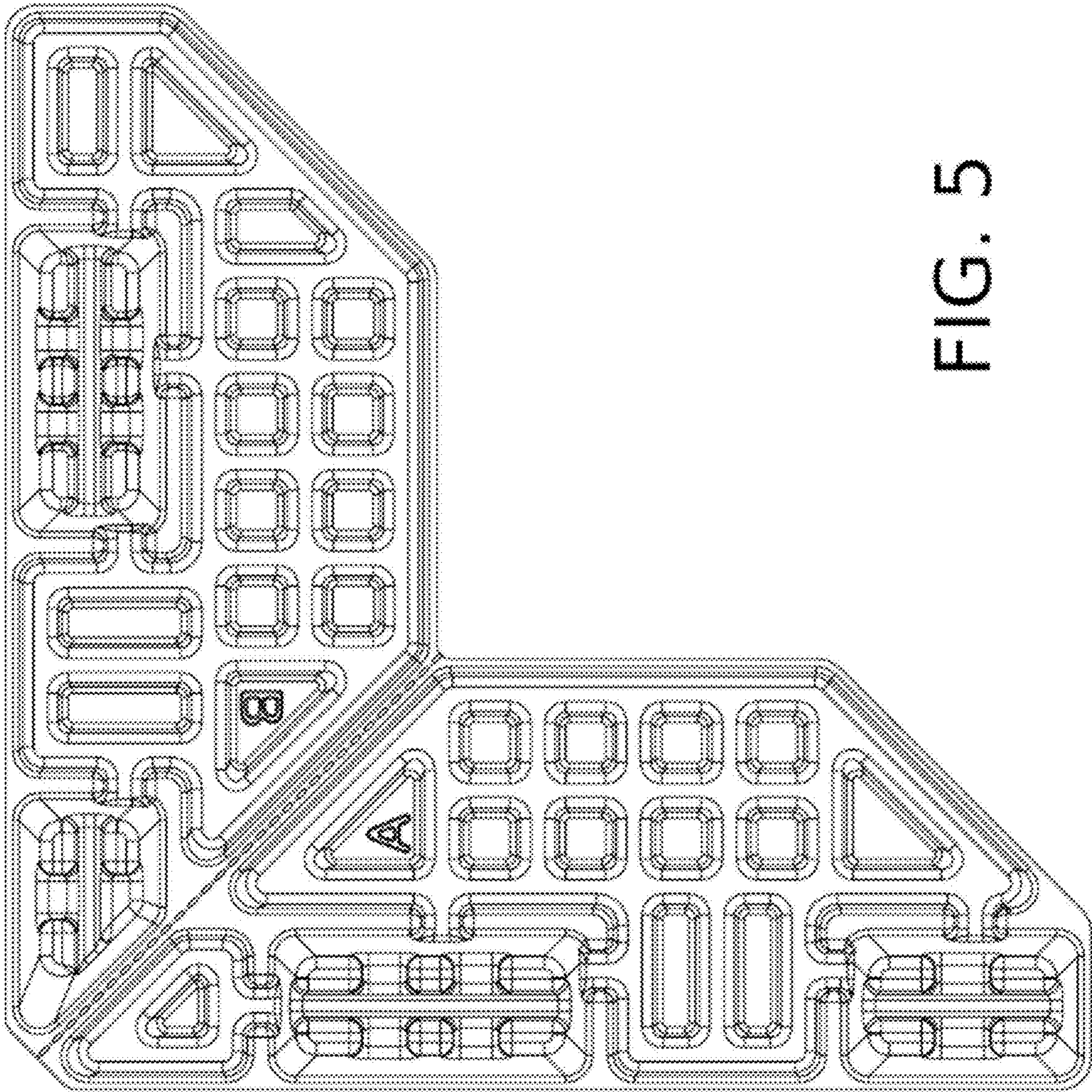
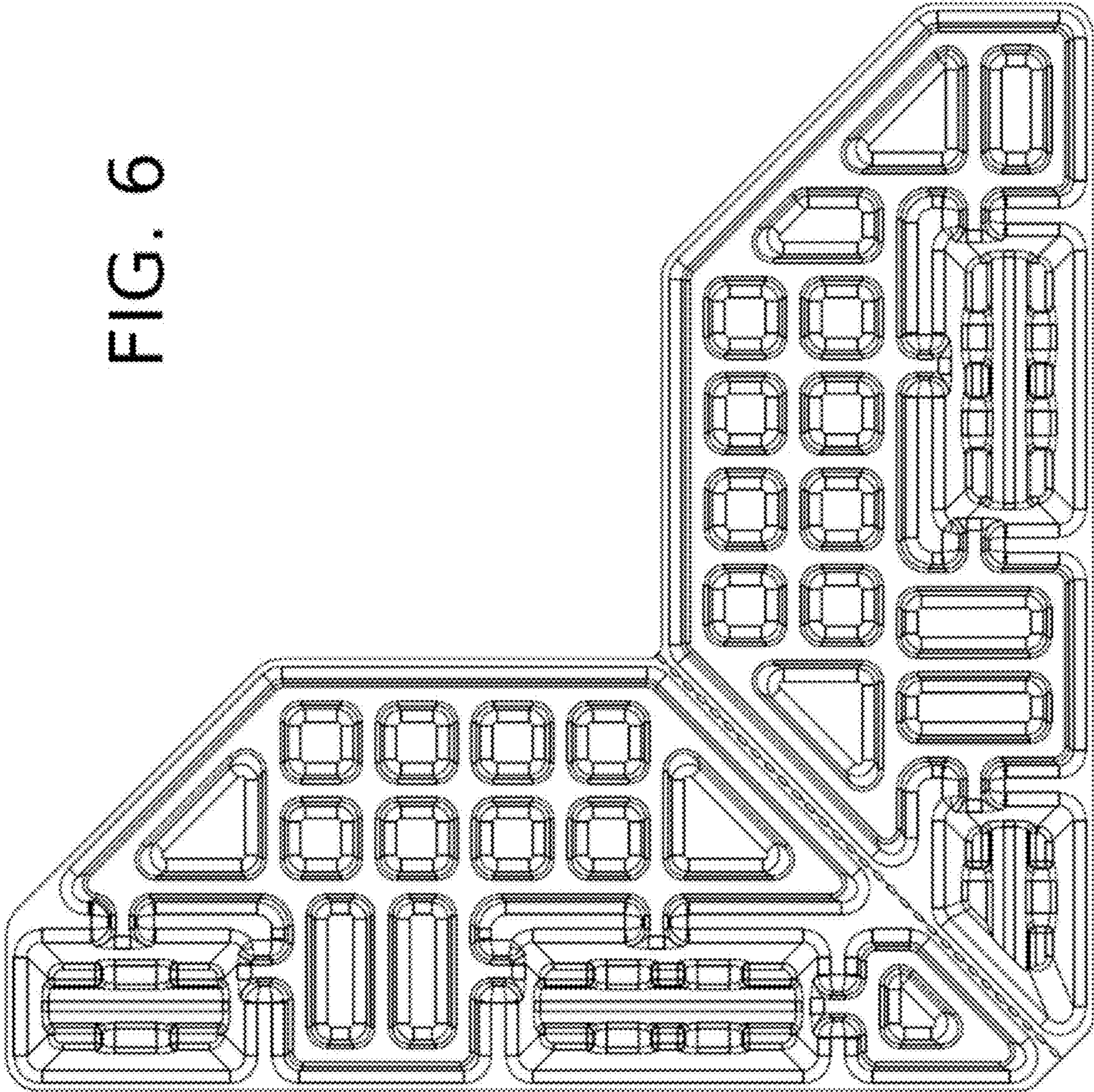


FIG. 5

FIG. 6



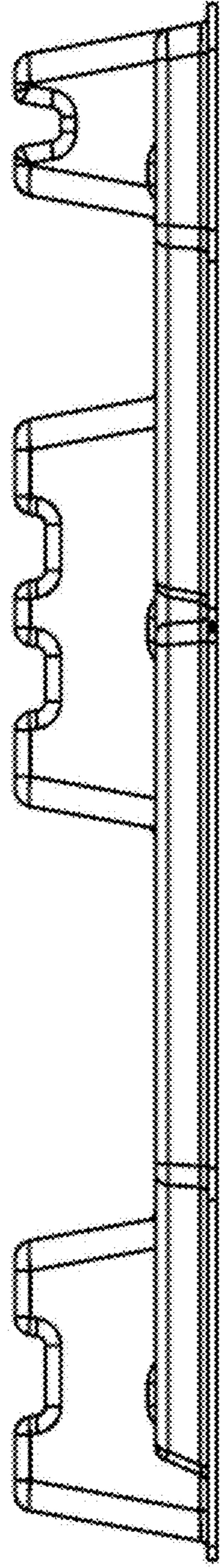


FIG. 7

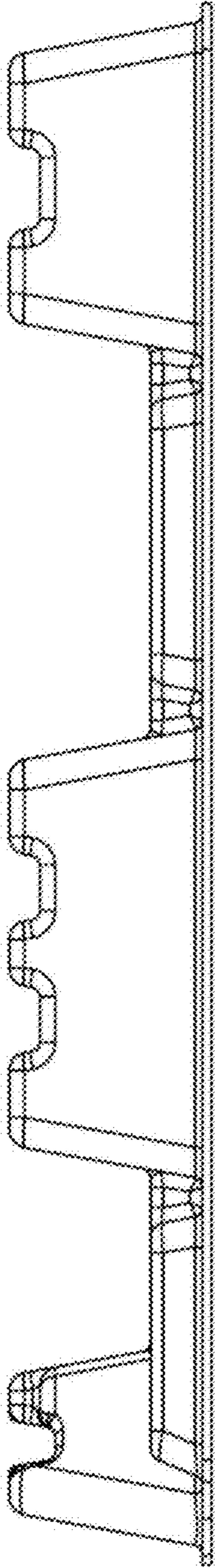


FIG. 8