

US00D962759S

(12) **United States Design Patent**
Tai et al.

(10) **Patent No.:** **US D962,759 S**

(45) **Date of Patent:** **** Sep. 6, 2022**

(54) **PACKAGE SHELL FOR IMPLANTED DEVICE**

(71) Applicant: **IntelliMicro Medical Co., Ltd.**, Hunan (CN)

(72) Inventors: **Yu-Chong Tai**, Hunan (CN); **Changlin Pang**, Hunan (CN)

(73) Assignee: **IntelliMicro Medical Co., Ltd.**, Hunan (CN)

(**) Term: **15 Years**

(21) Appl. No.: **29/759,744**

(22) Filed: **Nov. 25, 2020**

(30) **Foreign Application Priority Data**

May 27, 2020 (CN) 202030253044.1

(51) **LOC (13) Cl.** **09-03**

(52) **U.S. Cl.**
USPC **D9/414**

(58) **Field of Classification Search**

USPC D9/414-420, 449, 696; D27/172;
D24/189, 156; D28/82

CPC A61F 2/0095; A61F 2/442; A45D 33/24;
A61L 31/10; A61M 5/16831

See application file for complete search history.

(56) **References Cited**

U.S. PATENT DOCUMENTS

D274,262 S * 6/1984 Heilman D9/696
8,795,375 B2 * 8/2014 Malberg A61F 2/442
623/17.16

10,159,324 B2 * 12/2018 Dinata A45D 33/24
10,258,730 B2 * 4/2019 Franano A61M 5/16831
10,688,224 B1 * 6/2020 Altaf A61L 31/10
D896,065 S * 9/2020 Blay D9/414
D923,241 S * 6/2021 Markovic D27/172
D933,300 S * 10/2021 Lee D28/82
D942,263 S * 2/2022 Blay D9/418
D942,625 S * 2/2022 Blay D24/156
D946,767 S * 3/2022 Kemper D24/189
D946,768 S * 3/2022 Kemper D24/189
D949,689 S * 4/2022 Wiebenga D9/449
D955,871 S * 6/2022 Blay D9/414
2020/0197149 A1 * 6/2020 Folger A61F 2/0095

* cited by examiner

Primary Examiner — Rhea Shields

(74) *Attorney, Agent, or Firm* — ScienBiziP, P.C.

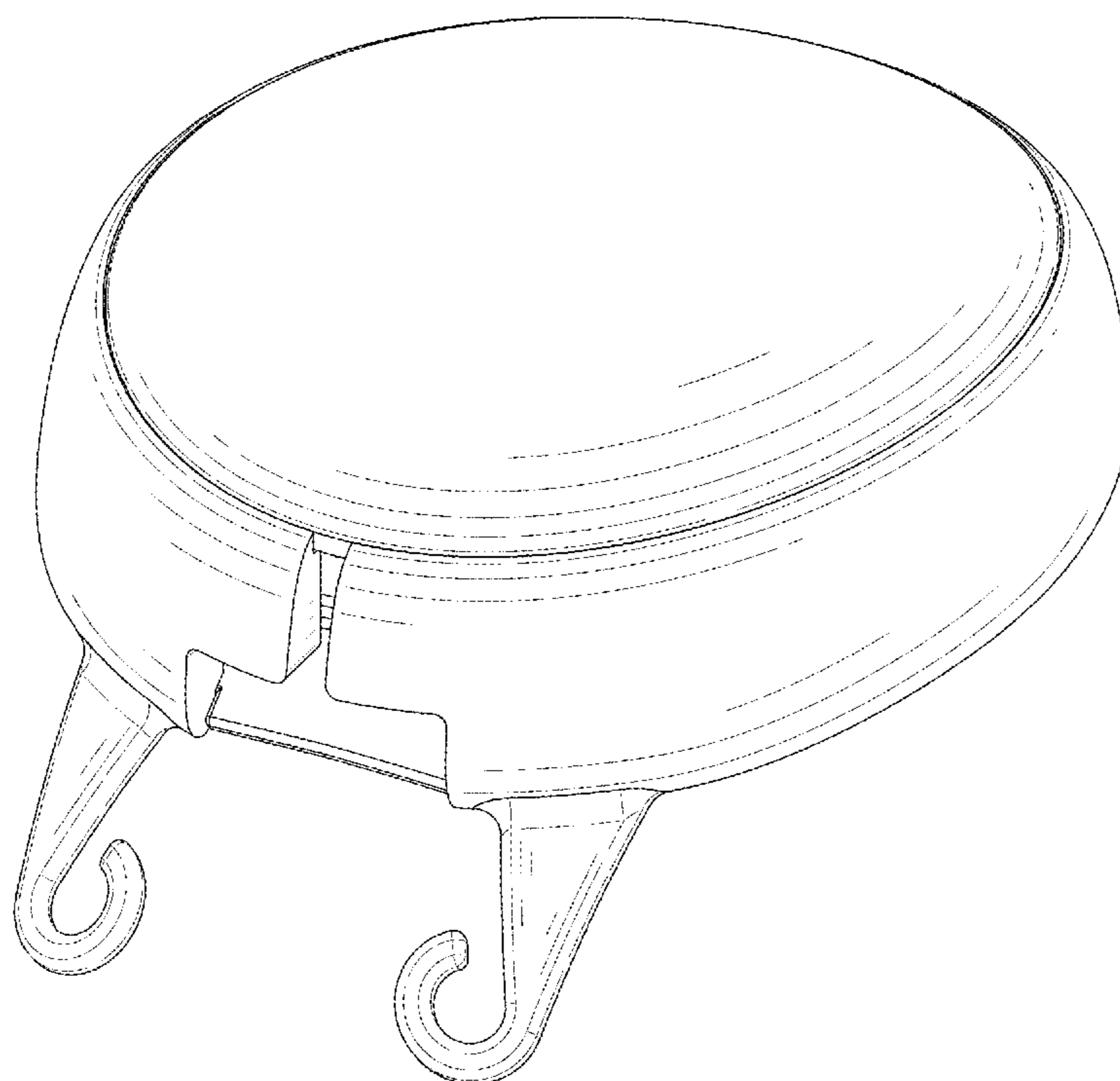
(57) **CLAIM**

The ornamental design for a package shell for implanted device, as shown and described.

DESCRIPTION

FIG. 1 is a front and top perspective view of a package shell for implanted device, showing our design.
FIG. 2 is a front elevation view thereof.
FIG. 3 is a rear elevation view thereof.
FIG. 4 is a left side elevation thereof.
FIG. 5 is a right side elevation thereof.
FIG. 6 is a top plan view thereof; and,
FIG. 7 is a bottom plan view thereof.

1 Claim, 7 Drawing Sheets



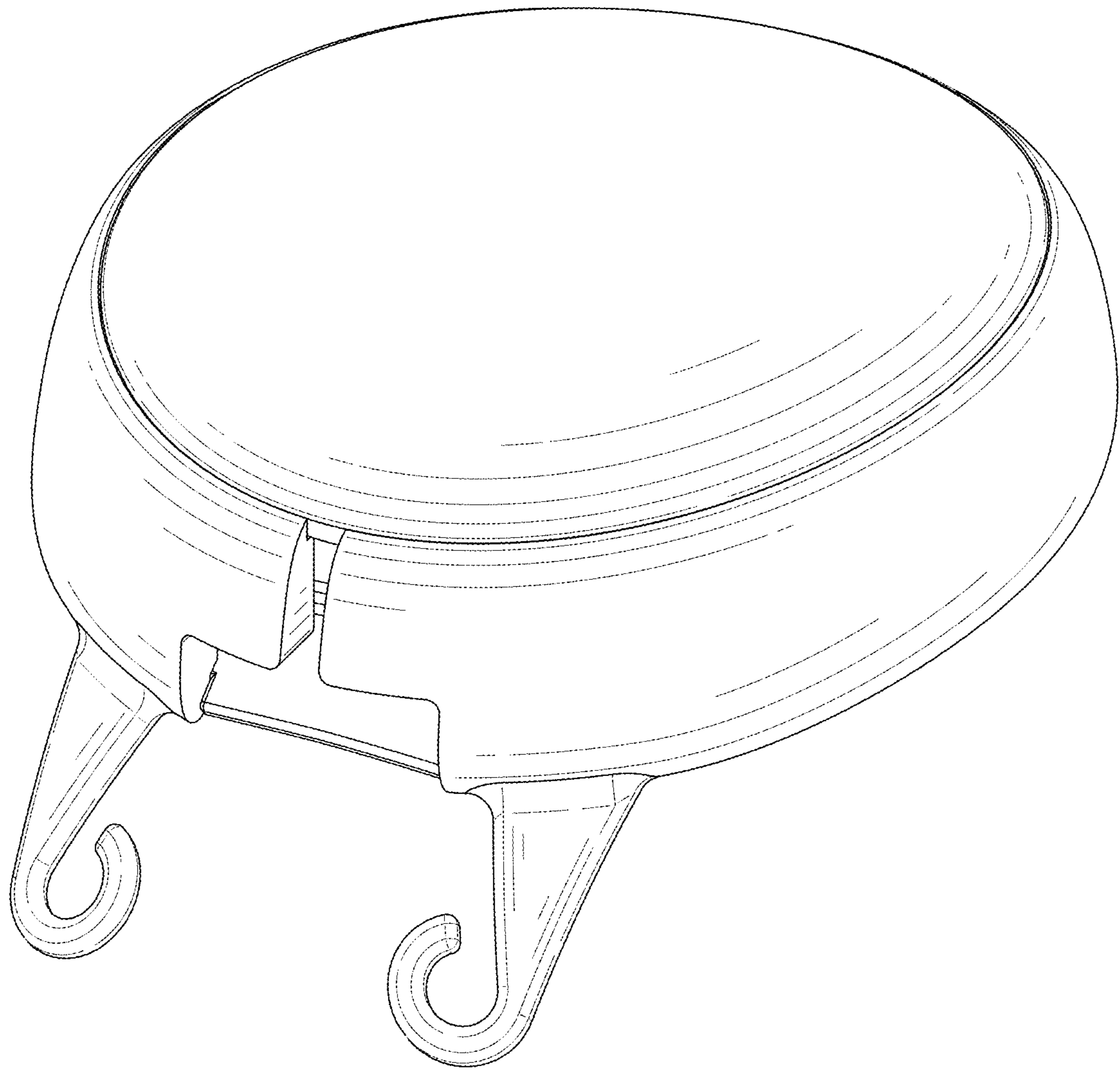


FIG. 1

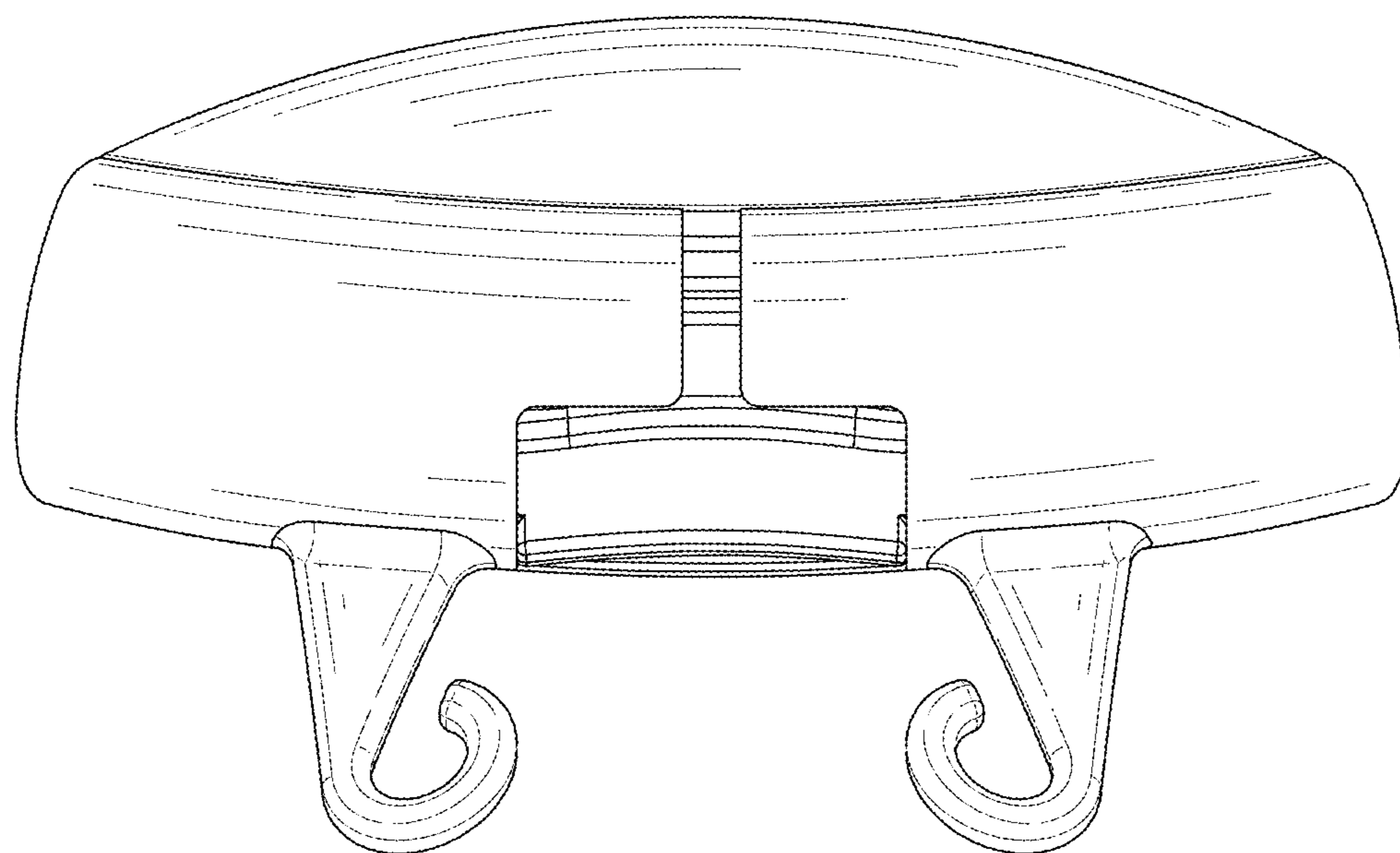


FIG. 2

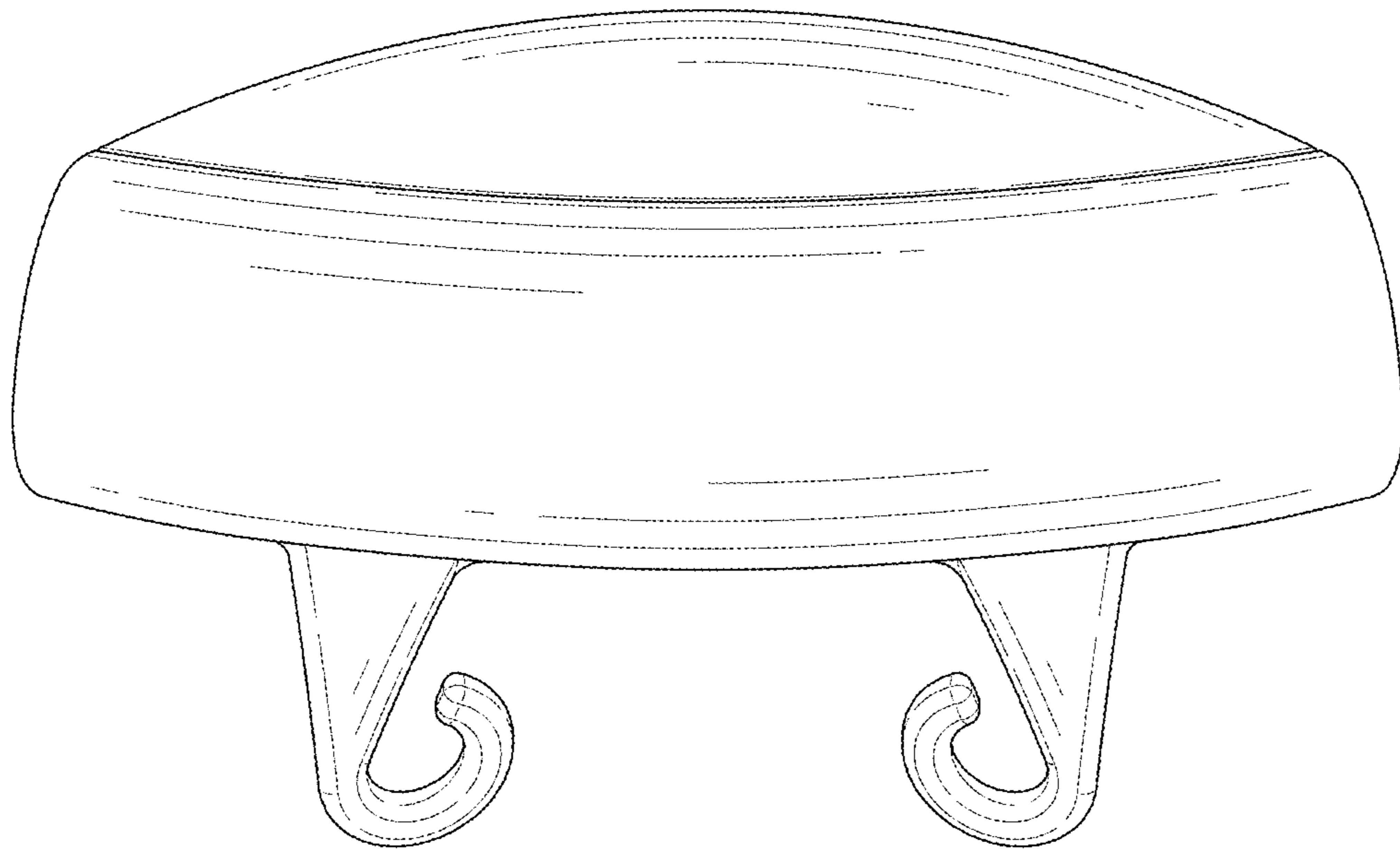


FIG. 3

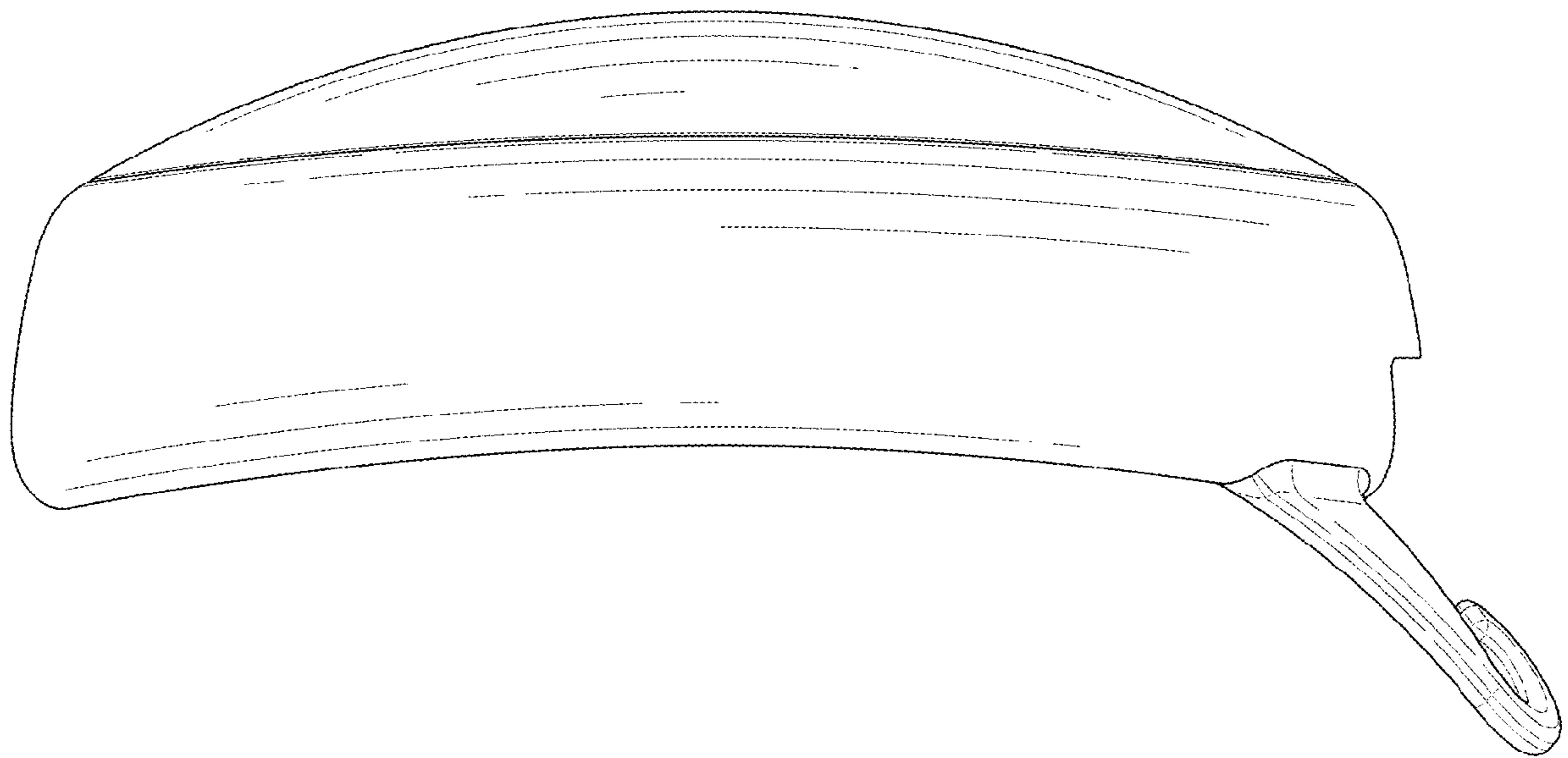


FIG. 4

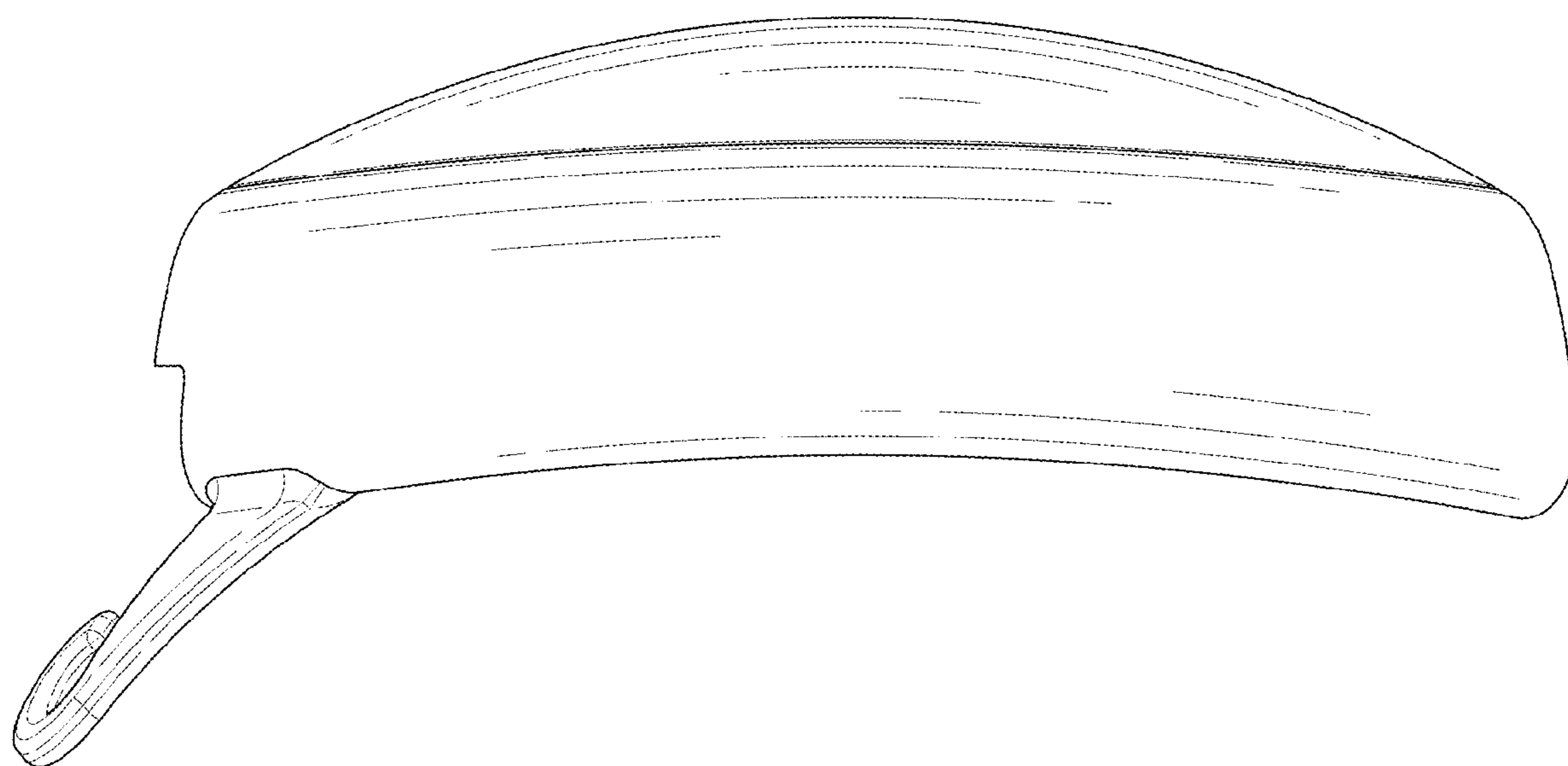


FIG. 5

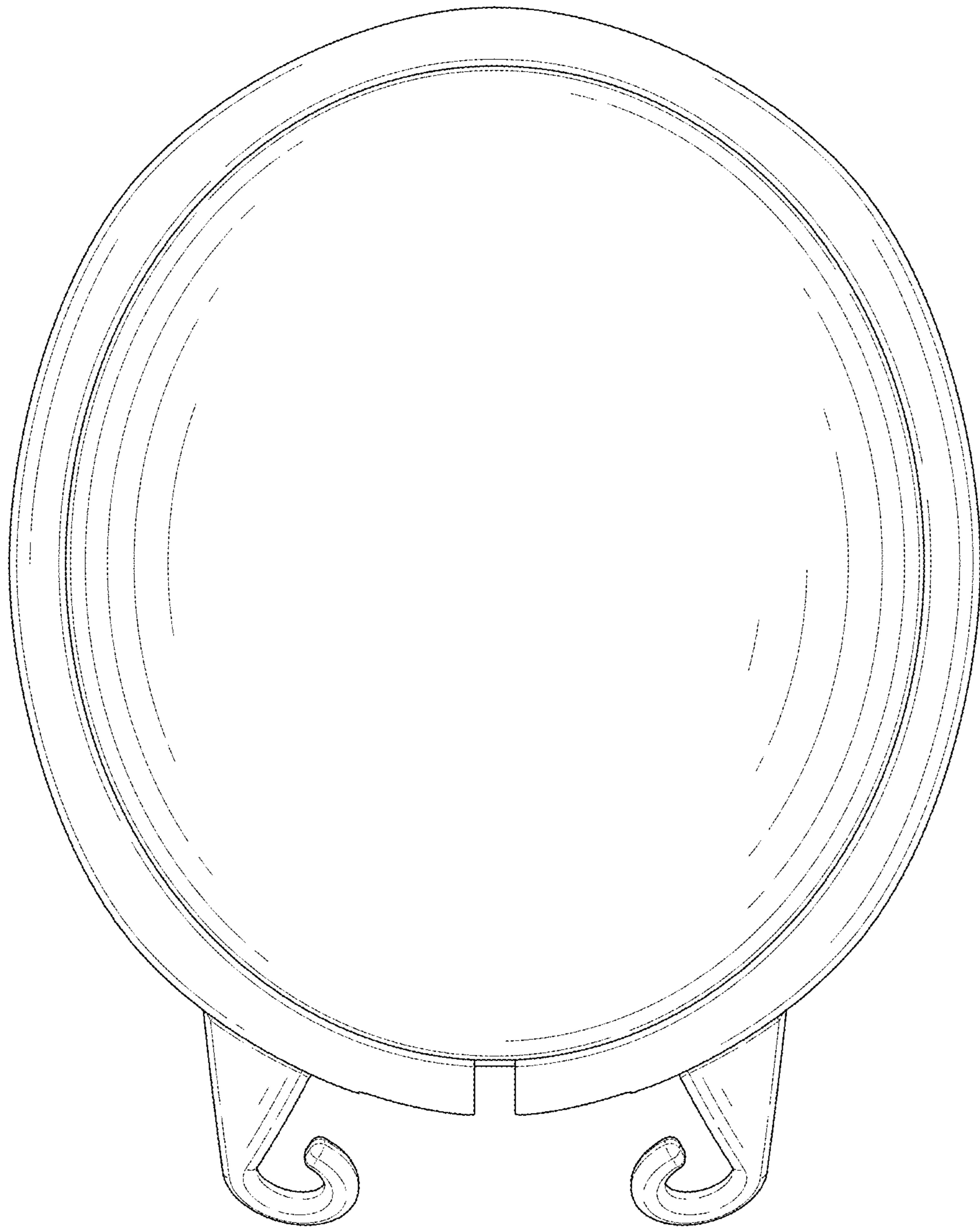


FIG. 6

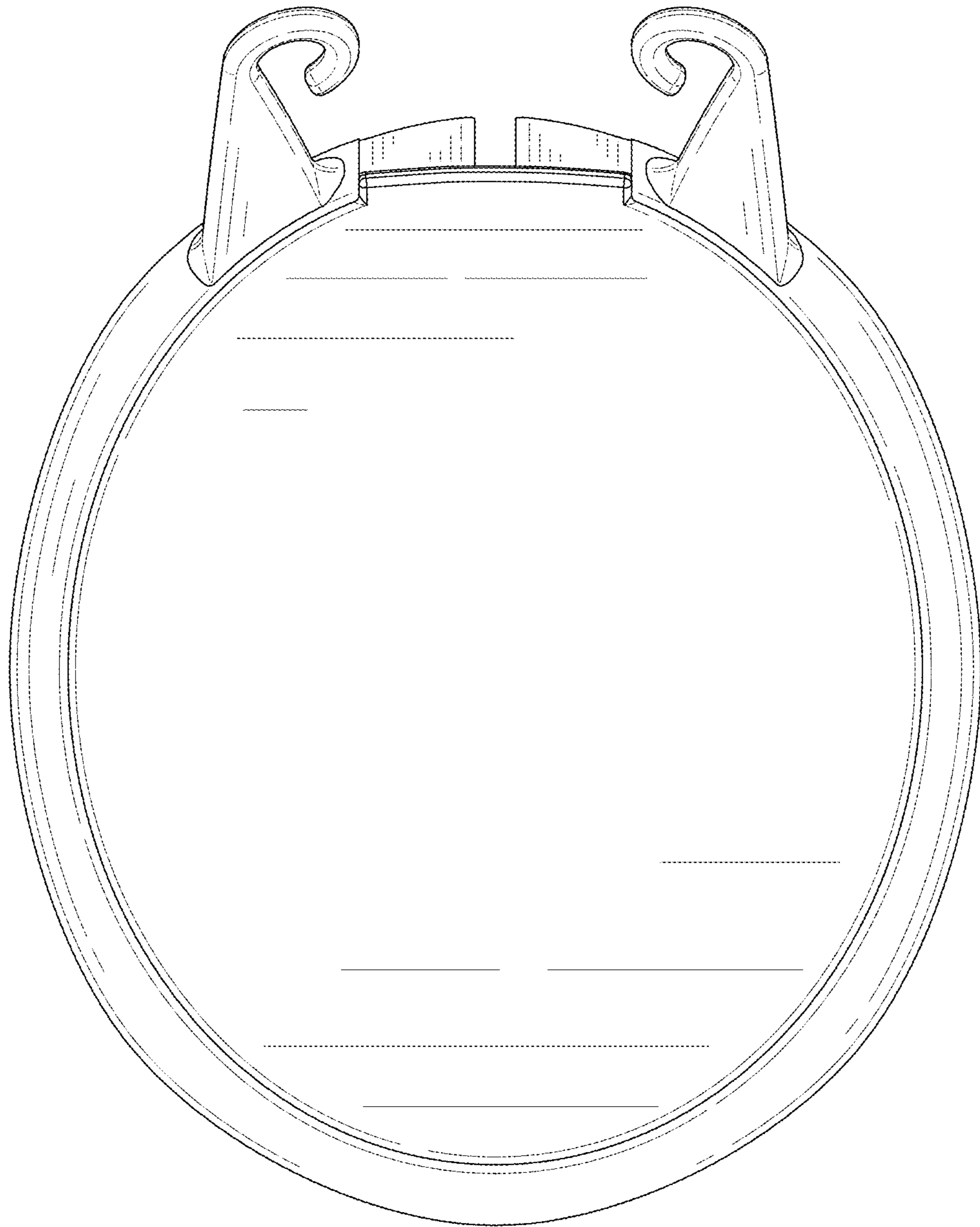


FIG. 7