



US00D962757S

(12) **United States Design Patent**
Garot et al.

(10) **Patent No.:** **US D962,757 S**

(45) **Date of Patent:** **** Sep. 6, 2022**

(54) **REFRACTORY ANCHOR**

(71) Applicant: **Silicon Holding B.V.**, Wateringen (NL)

(72) Inventors: **Jerome Michael Garot**, Wateringen (NL); **Danielle Francesca Garot**, Wateringen (NL); **Wouter Garot**, Wateringen (NL)

(73) Assignee: **Silicon Holding B.V.**, Wateringen (NL)

(**) Term: **15 Years**

(21) Appl. No.: **29/811,426**

(22) Filed: **Oct. 14, 2021**

(51) **LOC (13) Cl.** **08-08**

(52) **U.S. Cl.**
USPC **D8/384**

(58) **Field of Classification Search**
USPC D8/384, 349, 354, 382; D25/199
CPC F23M 5/04; F27D 1/14; F27D 1/10; F27D 1/141; F27D 1/142; F27D 1/144; F27D 1/145; F27D 1/147; F27D 1/004; E04F 13/0837; B01J 2219/0218; B01J 2219/00155

See application file for complete search history.

(56) **References Cited**

U.S. PATENT DOCUMENTS

- 4,680,908 A * 7/1987 Crowley F23M 5/04 52/378
- 4,711,186 A * 12/1987 Chen B04C 5/085 52/378
- D375,892 S * 11/1996 Kraemer, Jr. D8/384
- D393,588 S * 4/1998 Tuthill D8/384
- D559,672 S * 1/2008 Alexander D8/395
- D576,479 S * 9/2008 Alexander D8/395

(Continued)

FOREIGN PATENT DOCUMENTS

CN 302287547 * 1/2013

Primary Examiner — Sandra Snapp

Assistant Examiner — Ieisha N Price

(74) *Attorney, Agent, or Firm* — Shumaker, Loop & Kendrick, LLP

(57) **CLAIM**

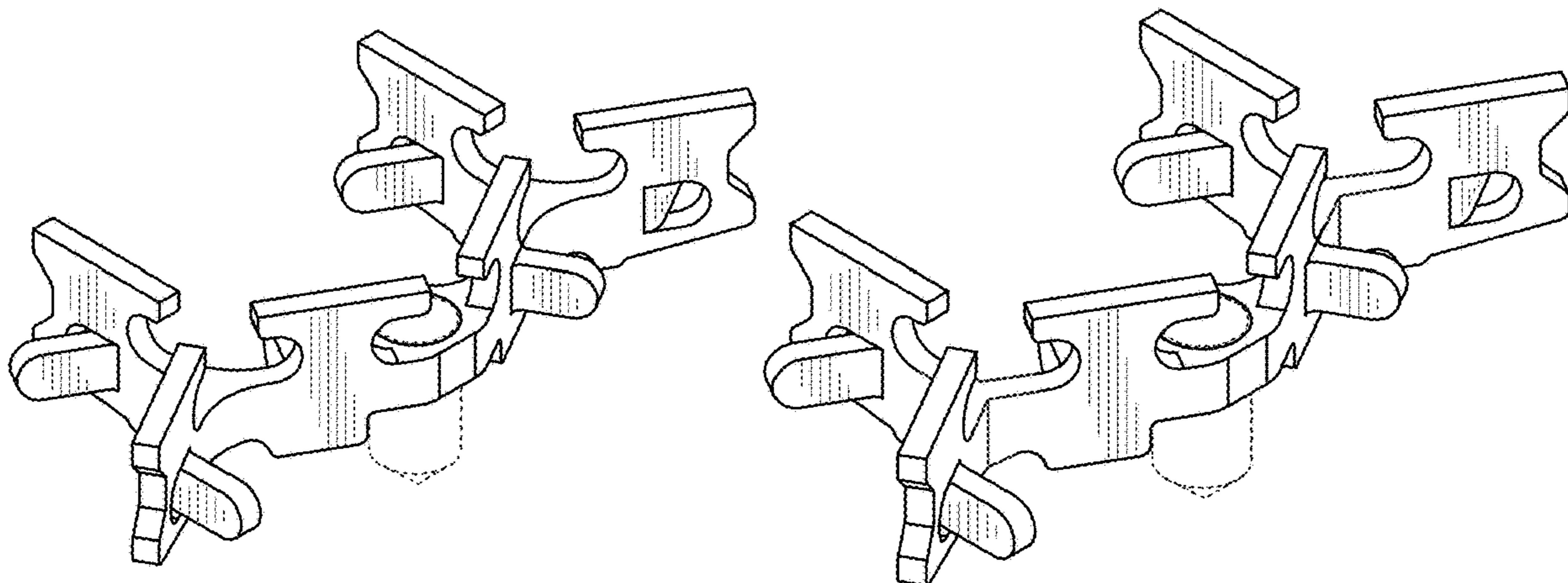
The ornamental design for a refractory anchor, as shown and described.

DESCRIPTION

FIG. 1 is a top perspective view of the refractory anchor according to the first embodiment;
 FIG. 2 is a bottom perspective view thereof;
 FIG. 3 is a back perspective view thereof;
 FIG. 4 is a front perspective view thereof;
 FIG. 5 is a front view thereof;
 FIG. 6 is a top view thereof;
 FIG. 7 is an inverted back view thereof;
 FIG. 8 is a right side view thereof;
 FIG. 9 is a left side view thereof;
 FIG. 10 is a bottom view thereof;
 FIG. 11 is a top perspective view of the refractory anchor according to the second embodiment;
 FIG. 12 is a bottom perspective view of the second embodiment;
 FIG. 13 is a back perspective view of the second embodiment;
 FIG. 14 is a front perspective view of the second embodiment;
 FIG. 15 is a front view of the second embodiment;
 FIG. 16 is a top view of the second embodiment;
 FIG. 17 is an inverted back view of the second embodiment;
 FIG. 18 is a right side view of the second embodiment;
 FIG. 19 is a left side view of the second embodiment; and,
 FIG. 20 is a bottom view of the second embodiment.

The broken lines in the drawings illustrate portions of the refractory anchor and form no part of the claimed design.

1 Claim, 10 Drawing Sheets



(56)

References Cited

U.S. PATENT DOCUMENTS

10,508,861 B1 * 12/2019 D'Oracio De Almeida
F27D 1/142
D872,569 S * 1/2020 D'Oracio De Almeida .. D8/384
10,857,616 B2 * 12/2020 Giaramita B23K 9/208
2015/0147236 A1 * 5/2015 Simon B32B 3/12
422/310
2017/0321962 A1 * 11/2017 Decker B32B 15/18
2020/0078762 A1 * 3/2020 Lesage B01J 19/02

* cited by examiner

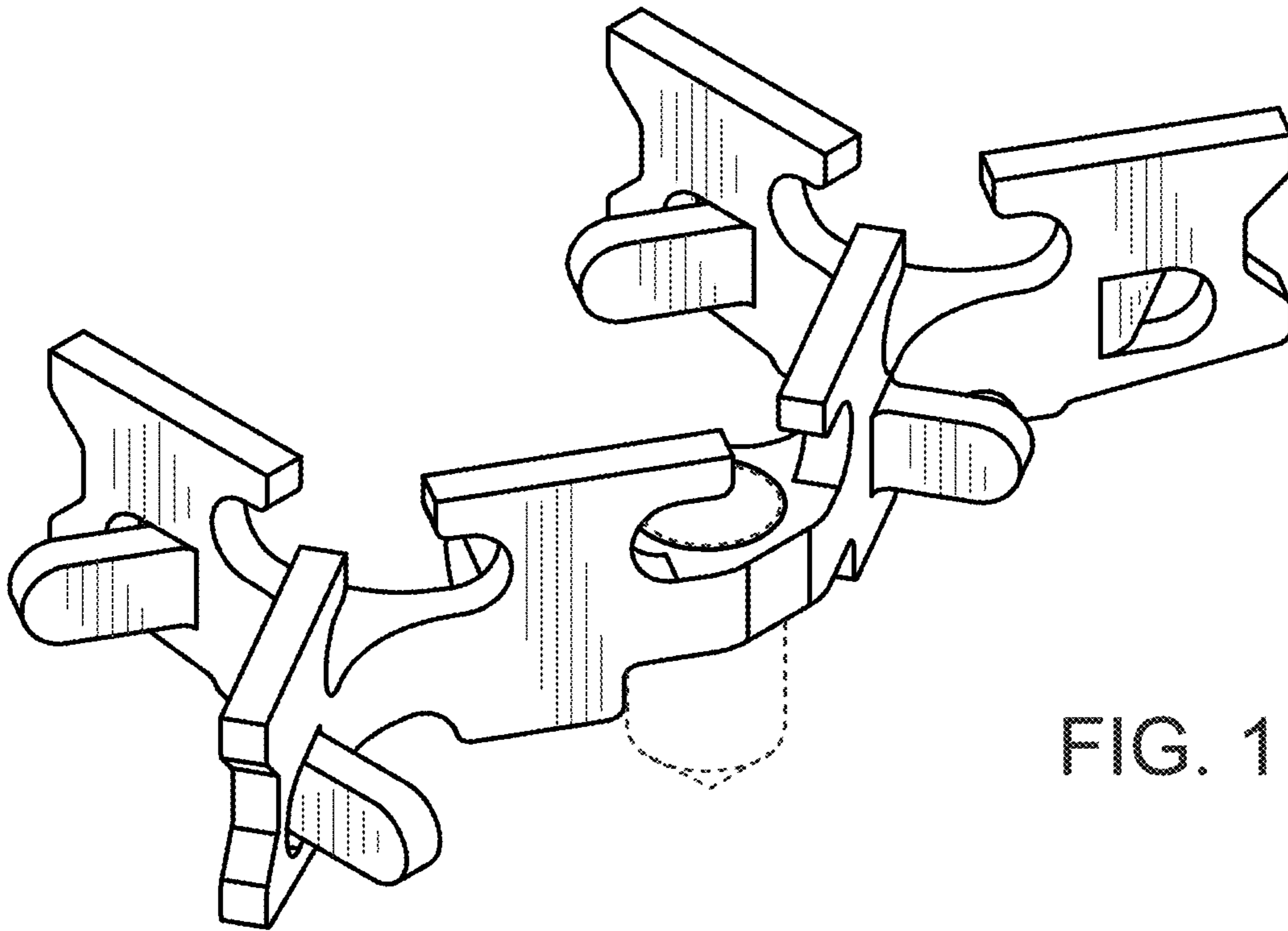


FIG. 1

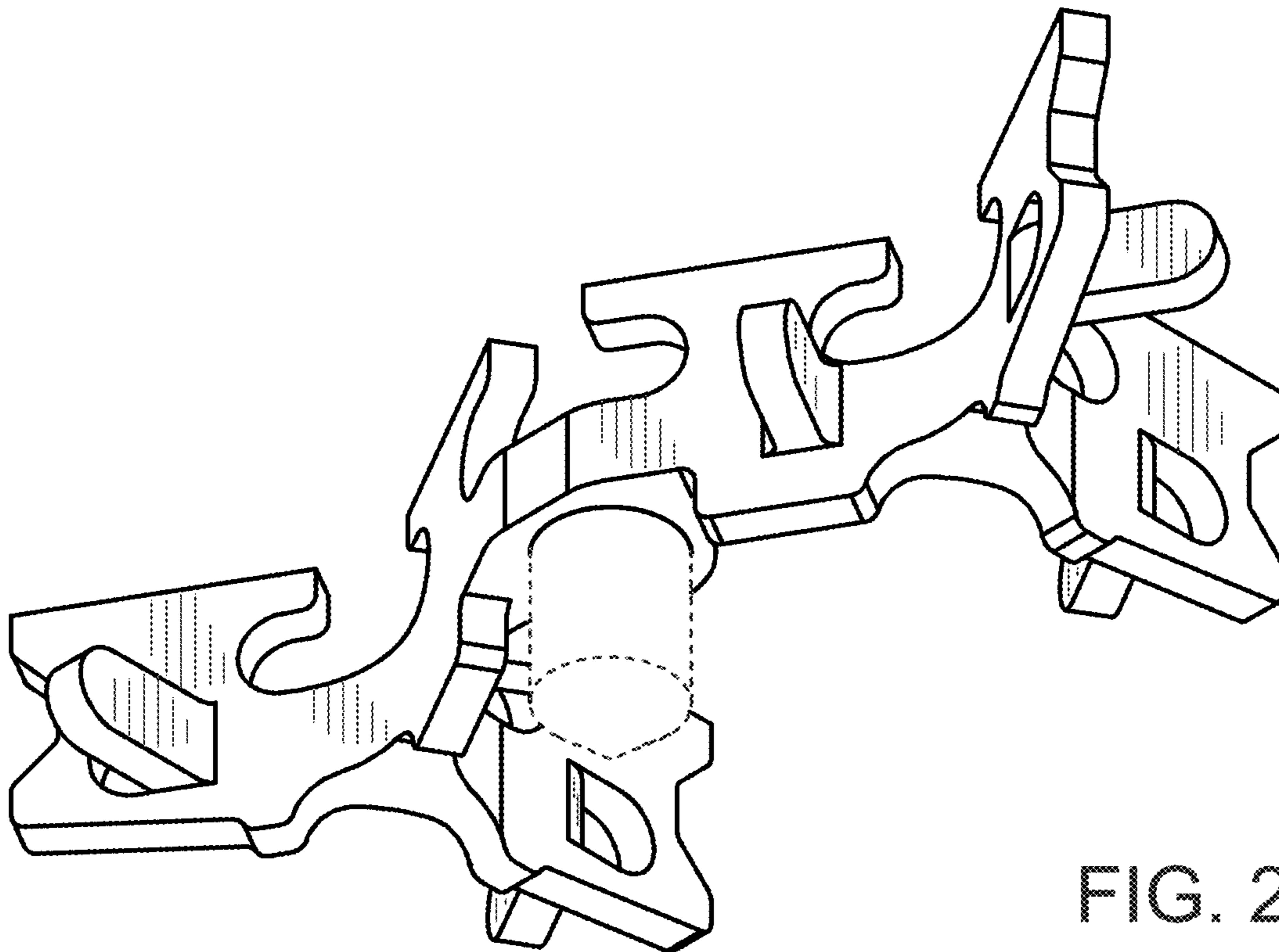


FIG. 2

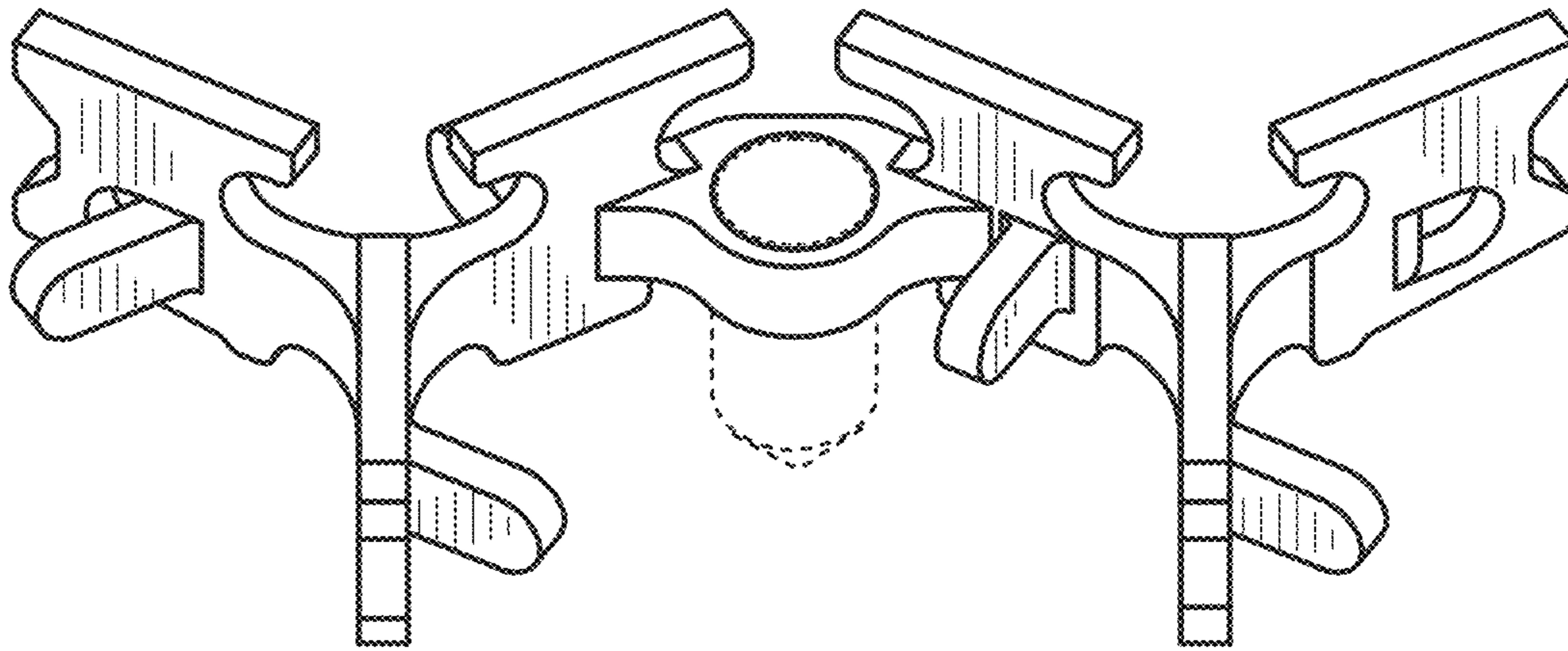


FIG. 3

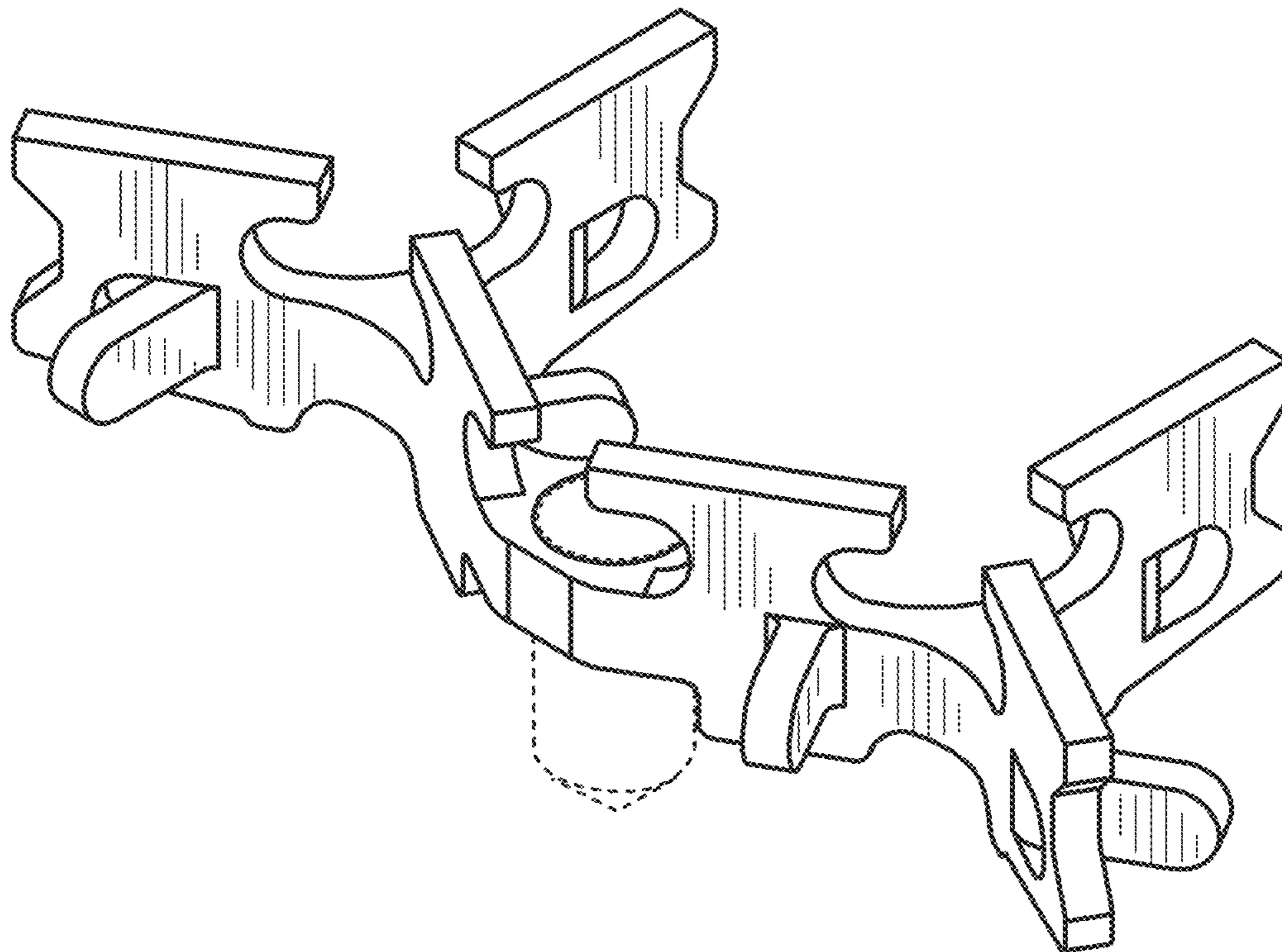


FIG. 4

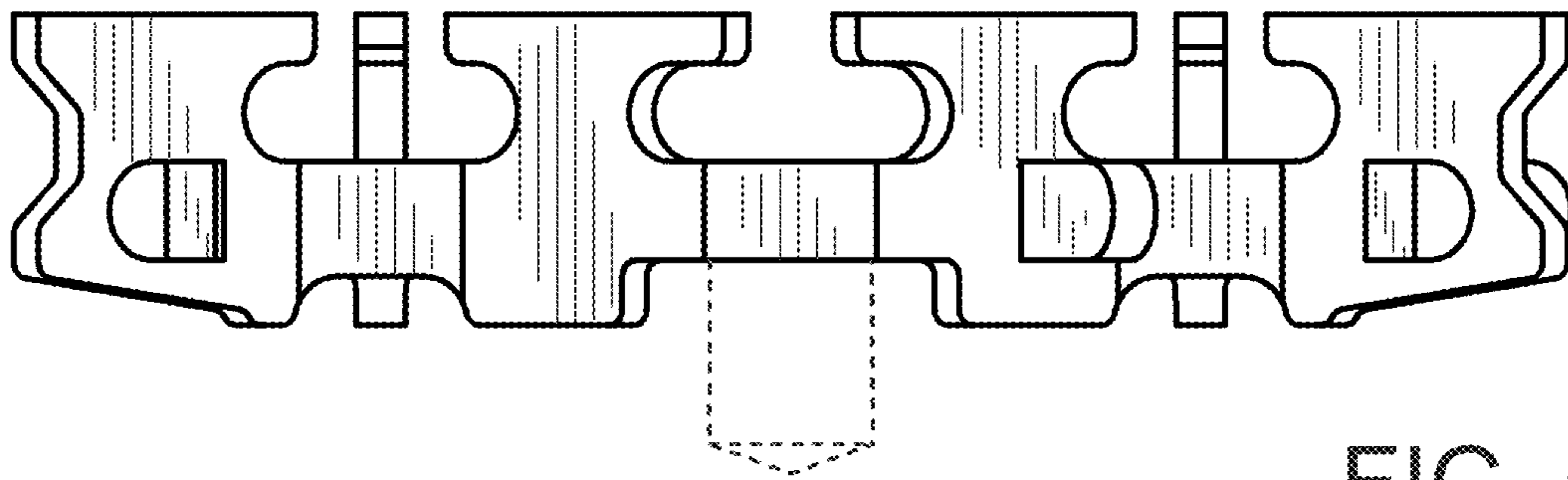


FIG. 5

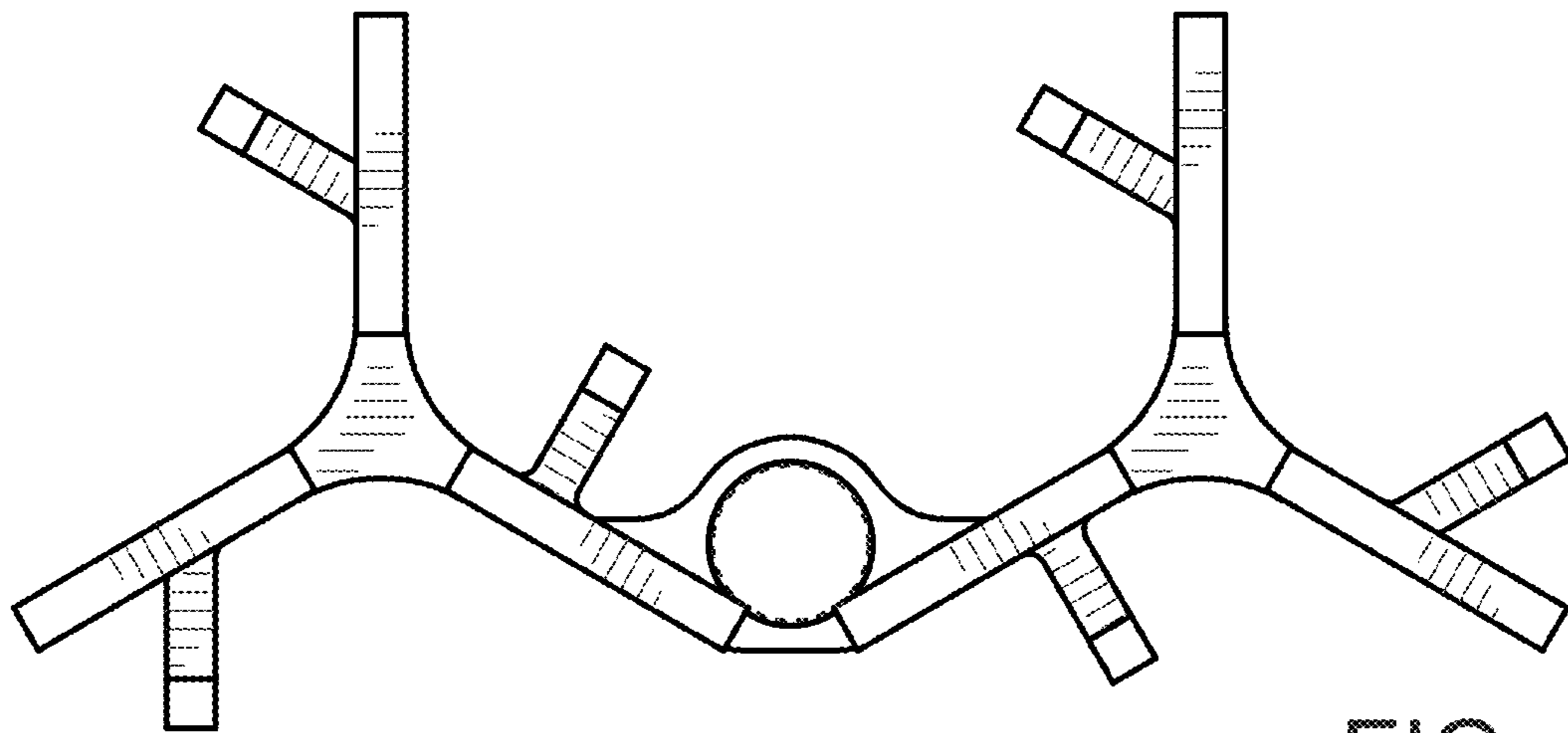


FIG. 6

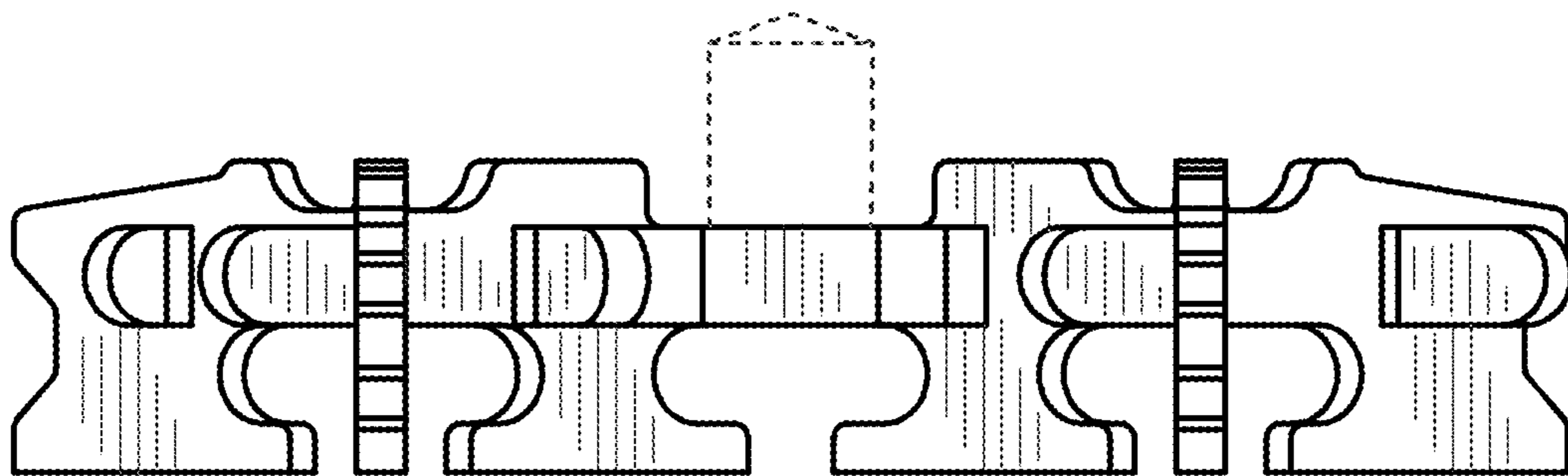


FIG. 7

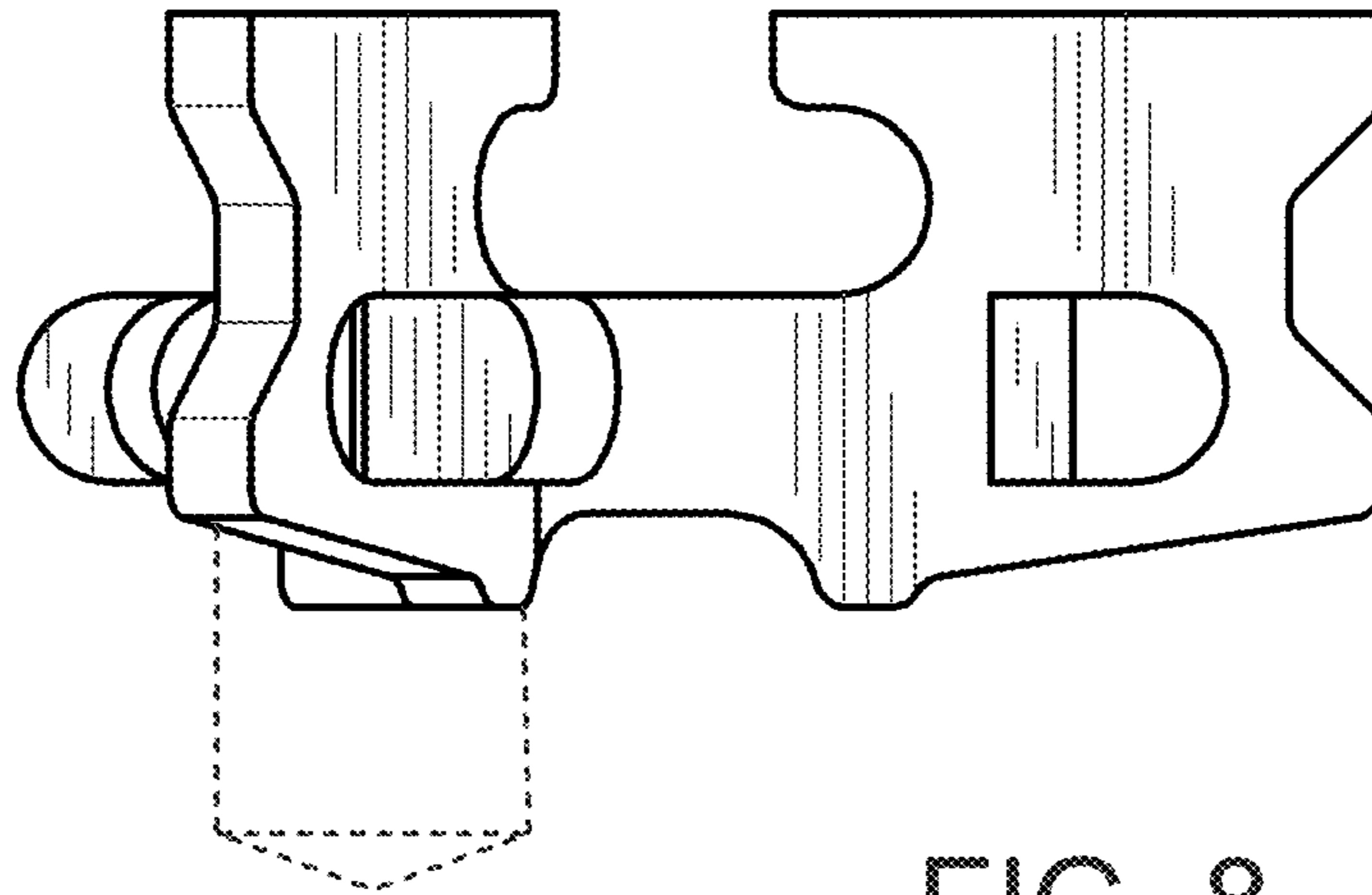


FIG. 8

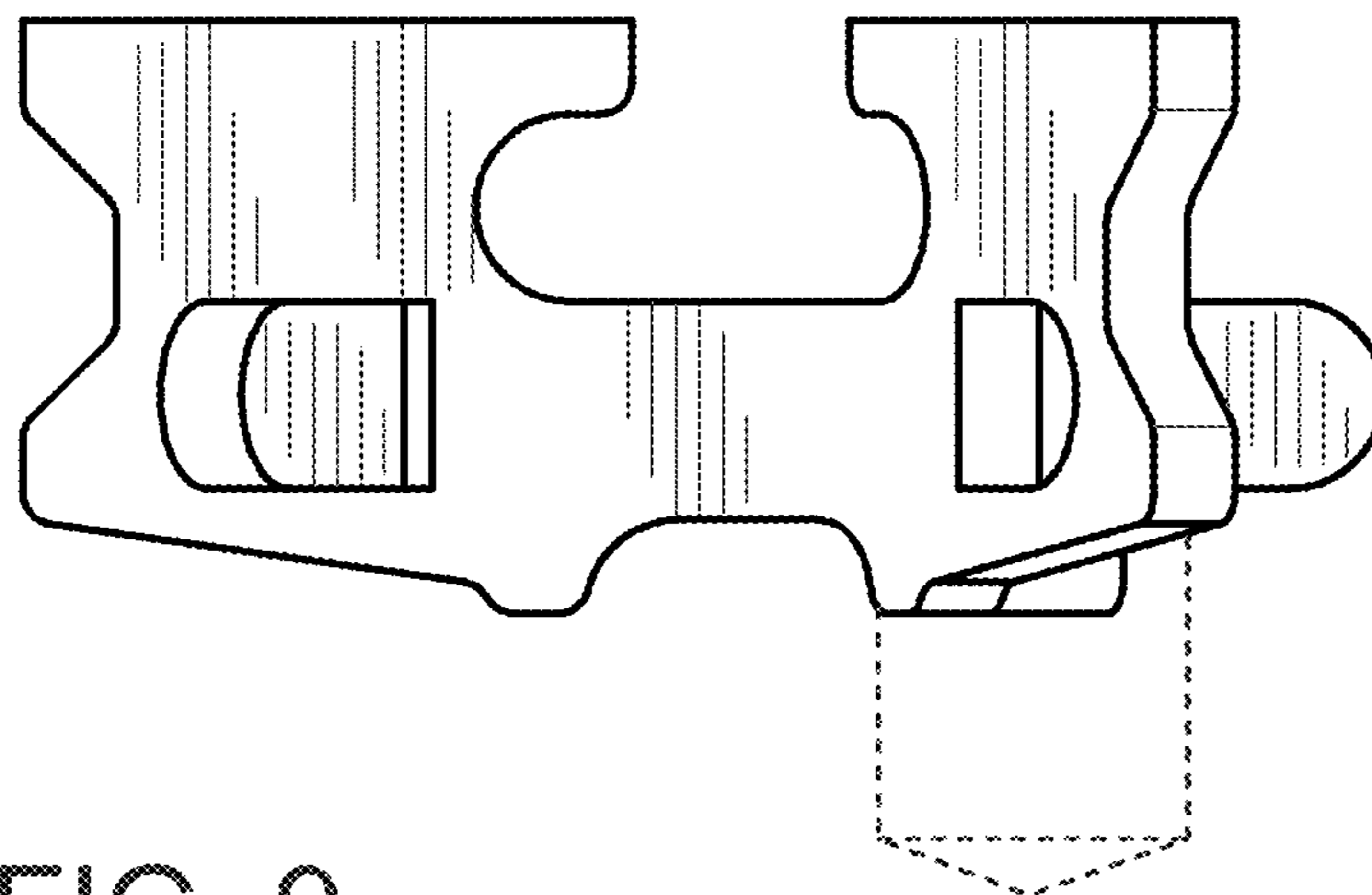


FIG. 9

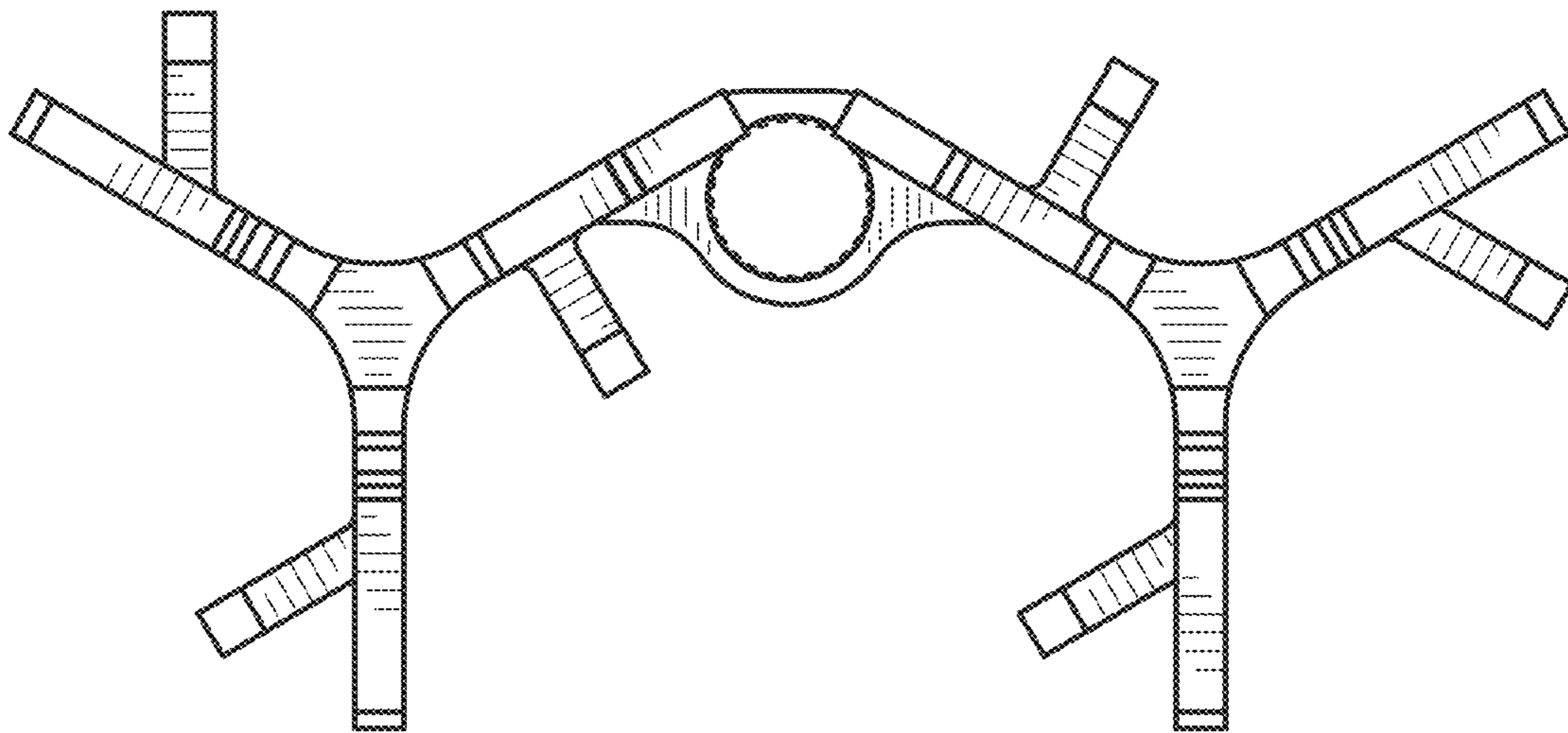


FIG. 10

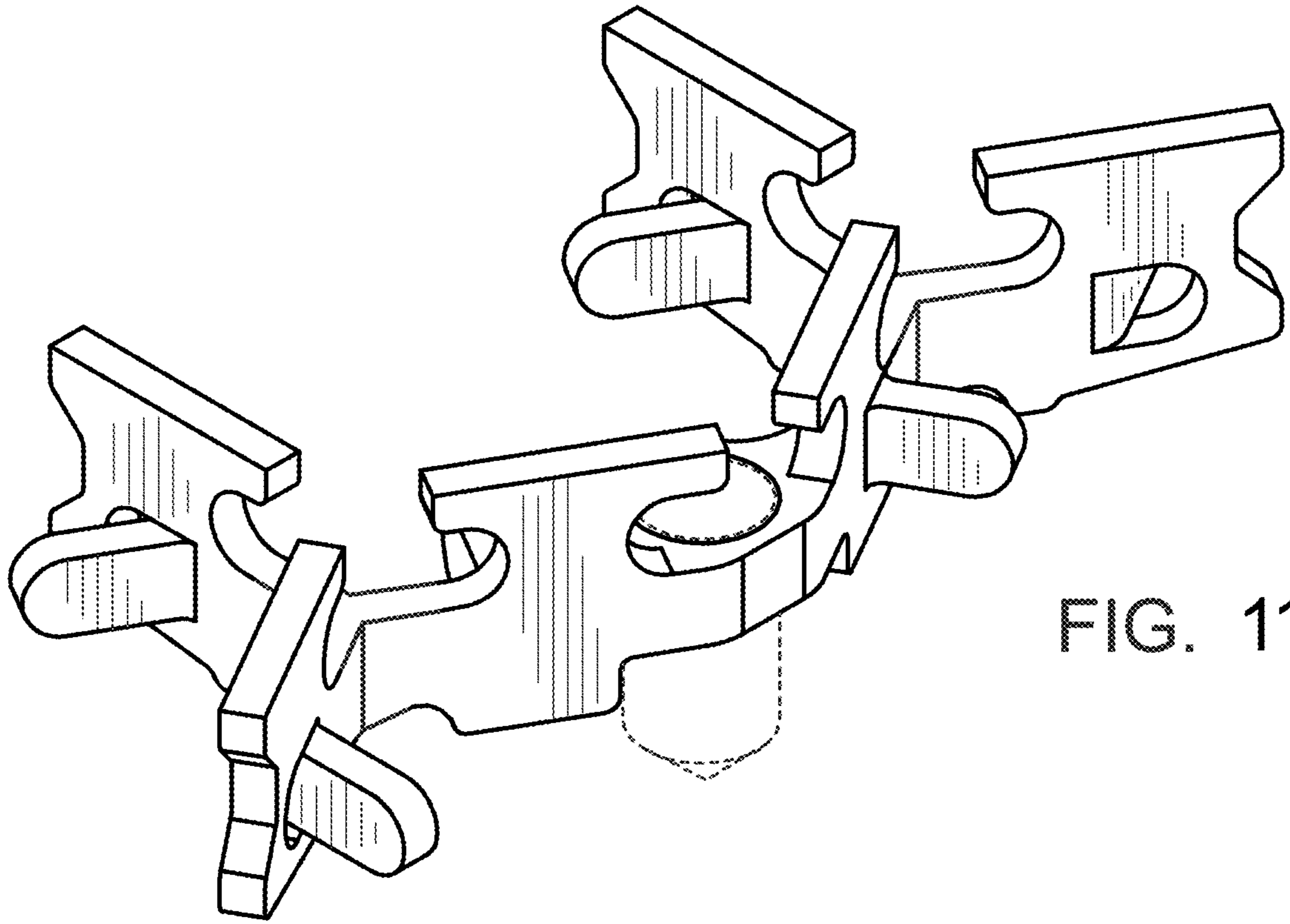


FIG. 11

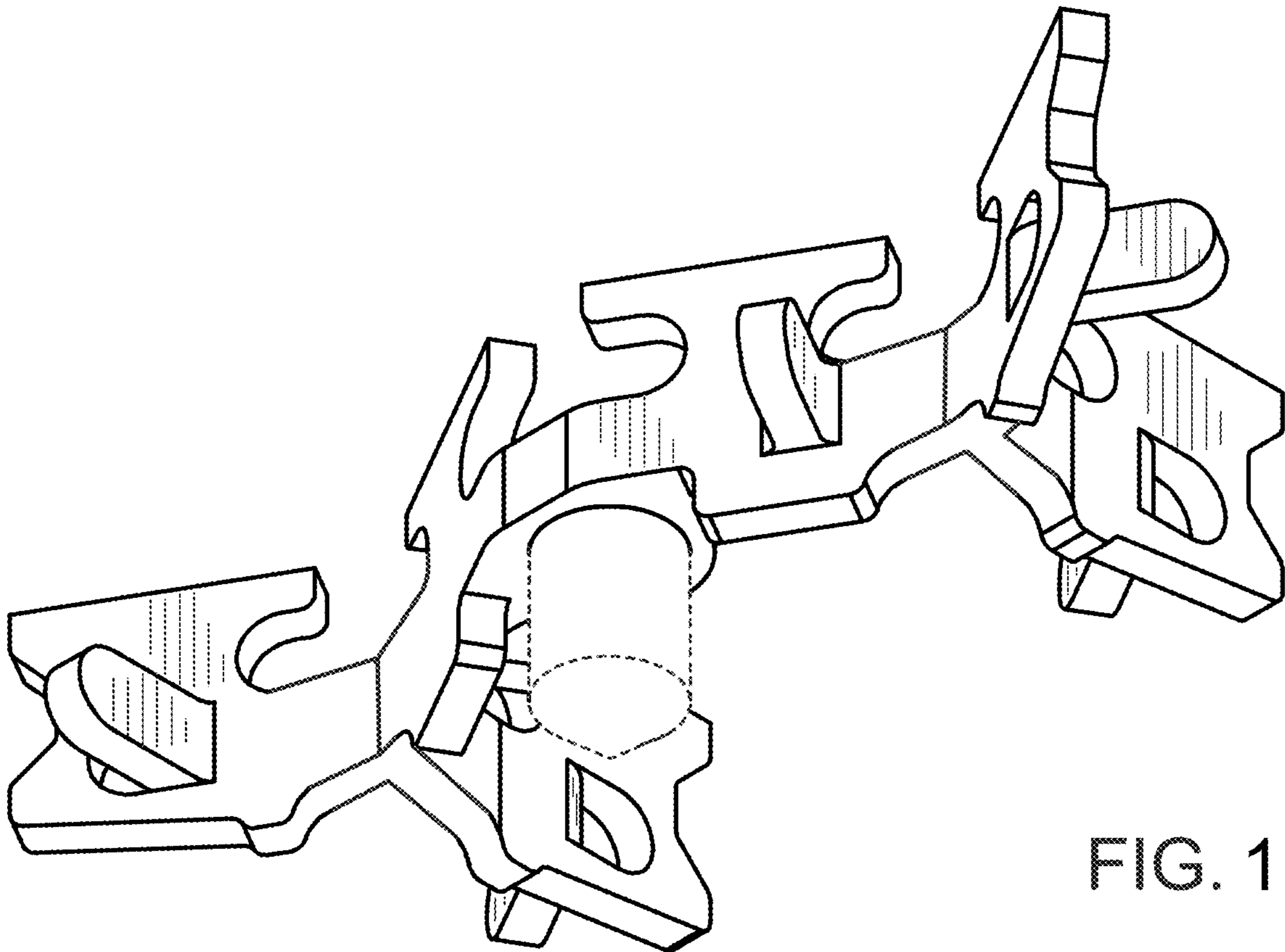


FIG. 12

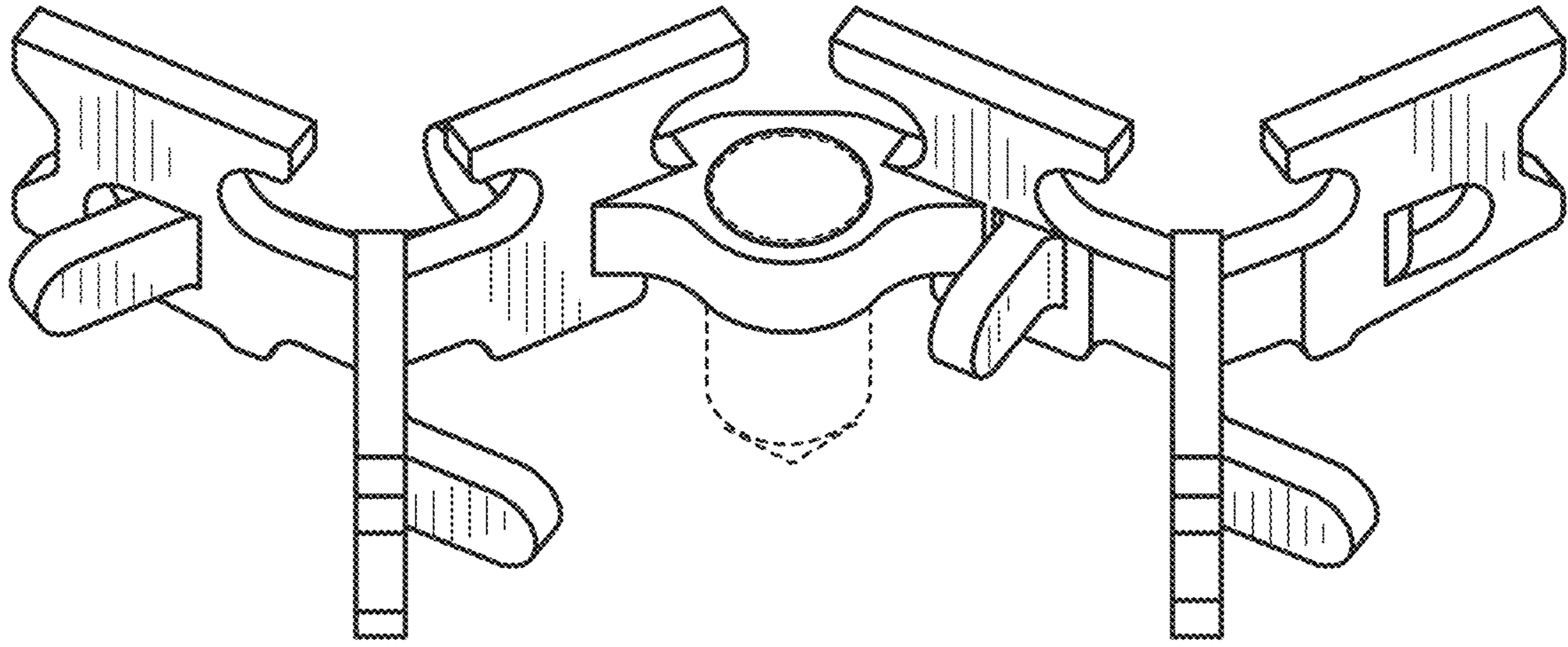


FIG. 13

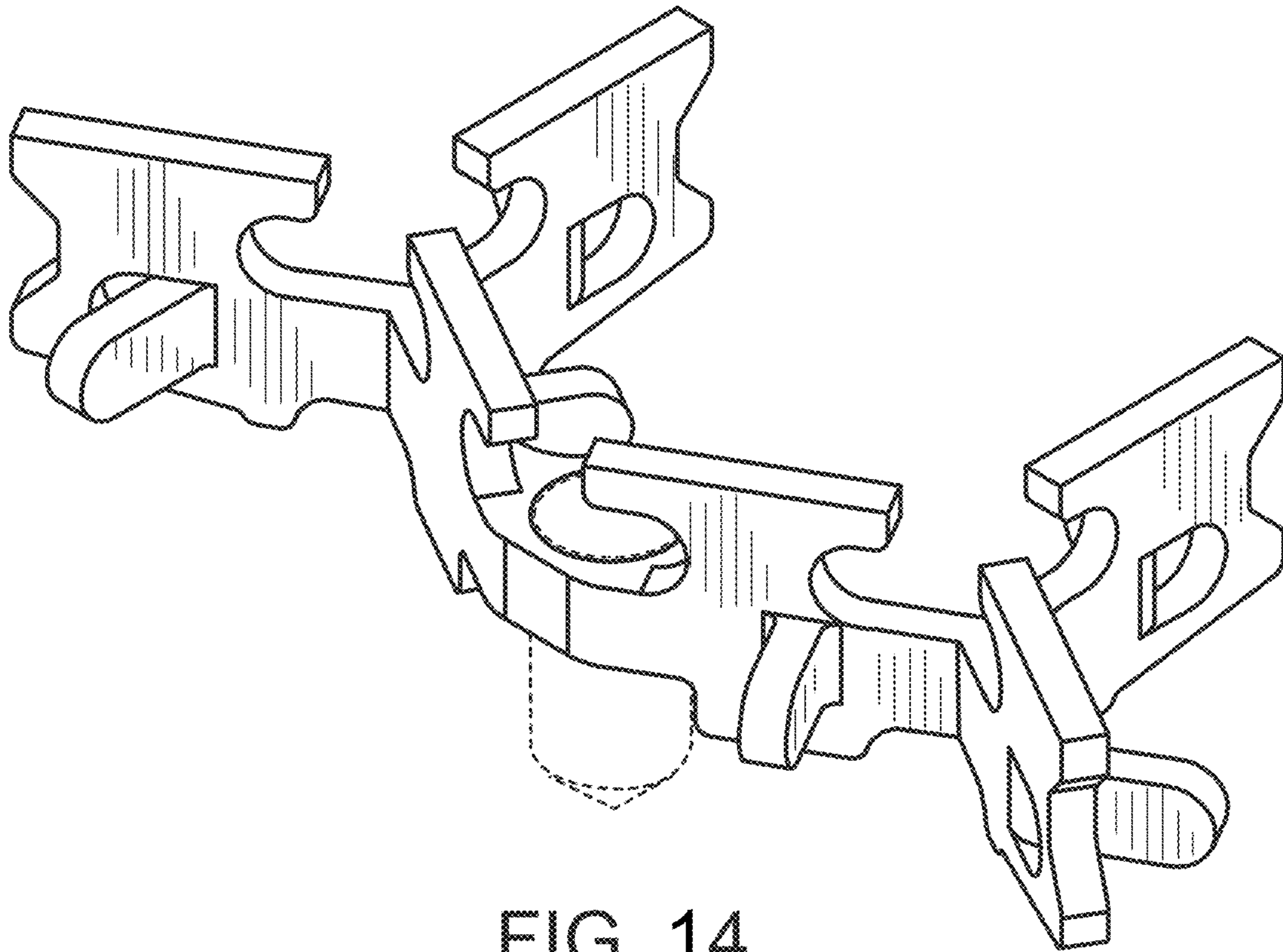


FIG. 14

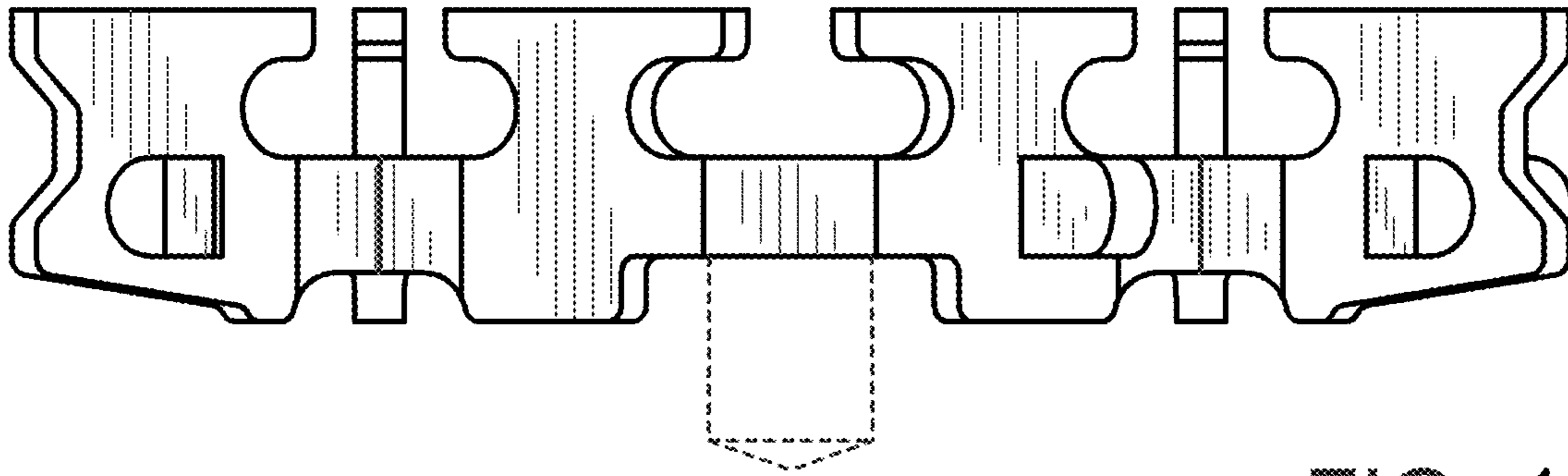


FIG. 15

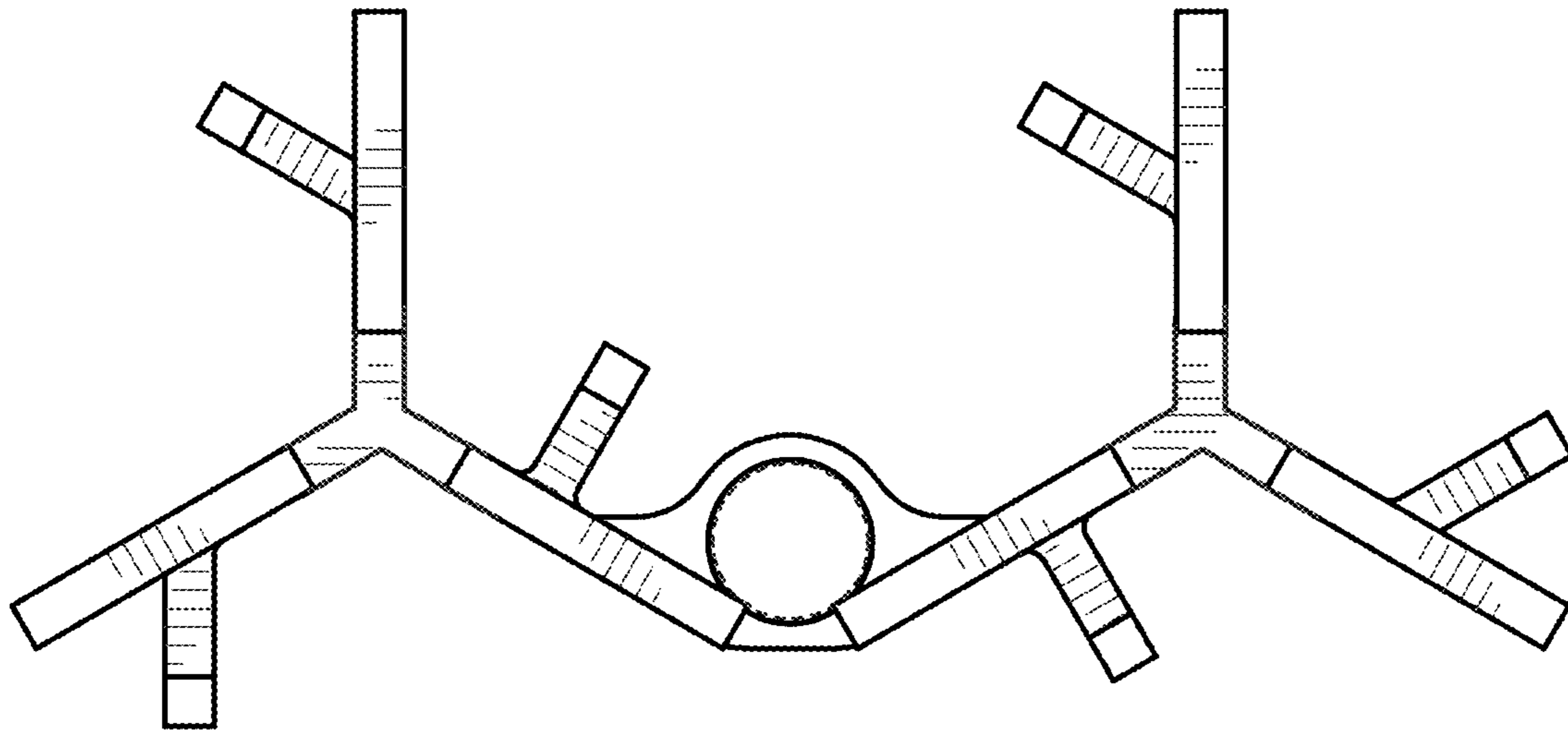


FIG. 16

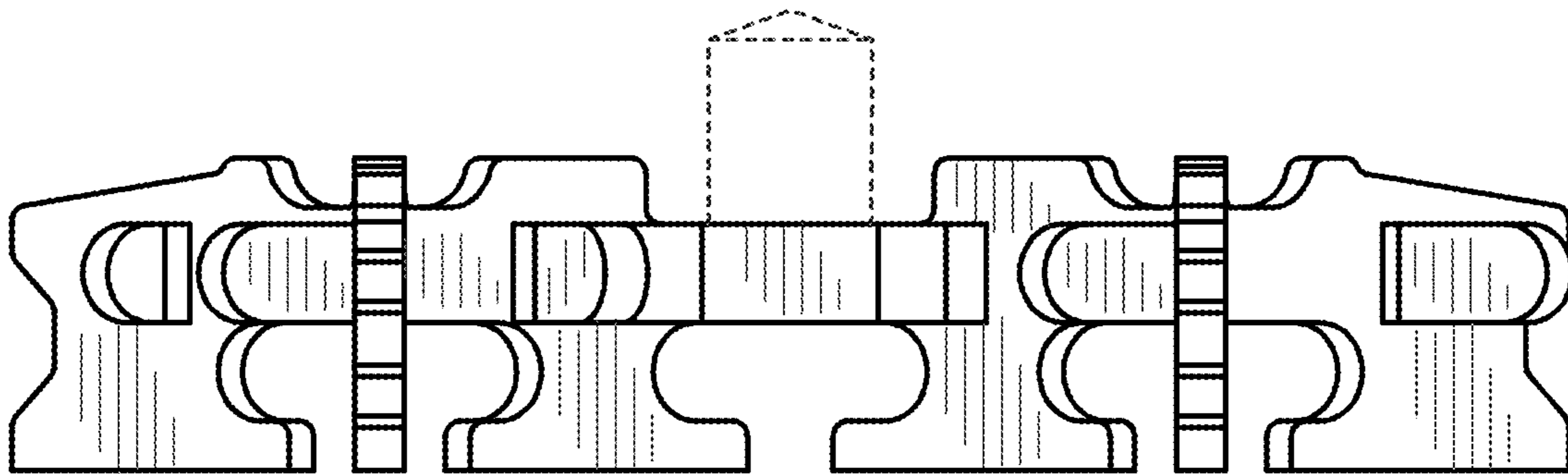


FIG. 17

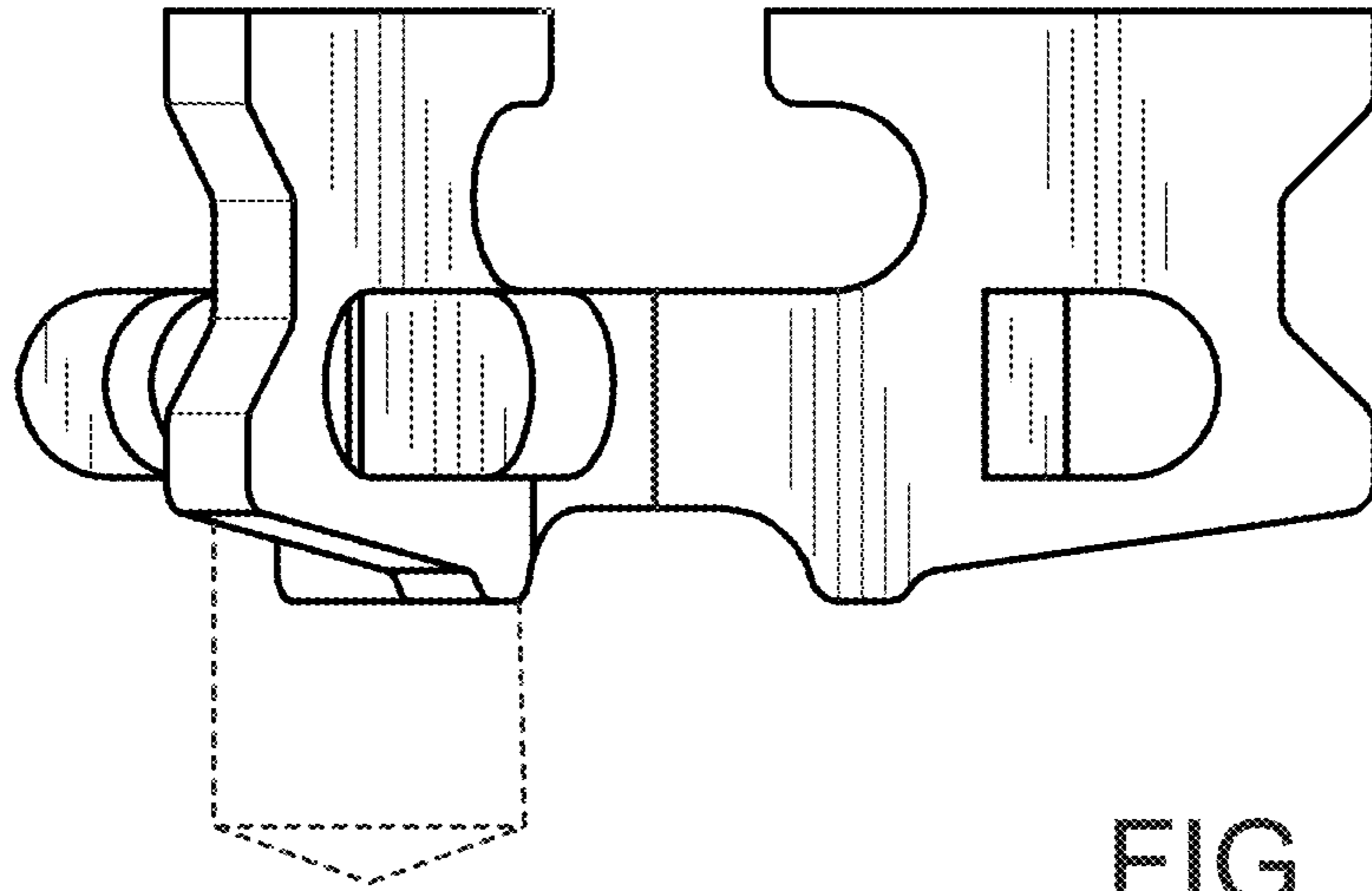


FIG. 18

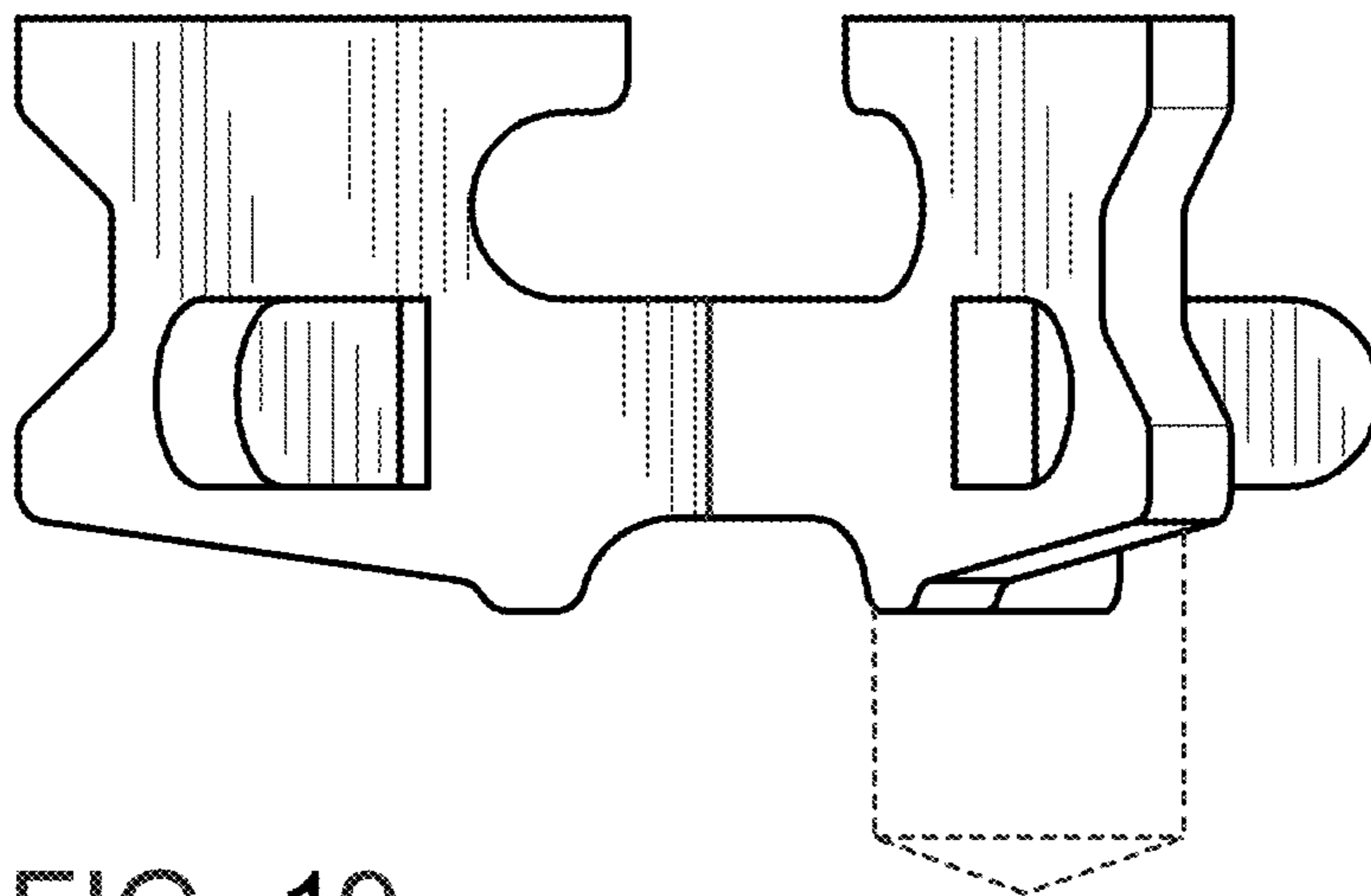


FIG. 19

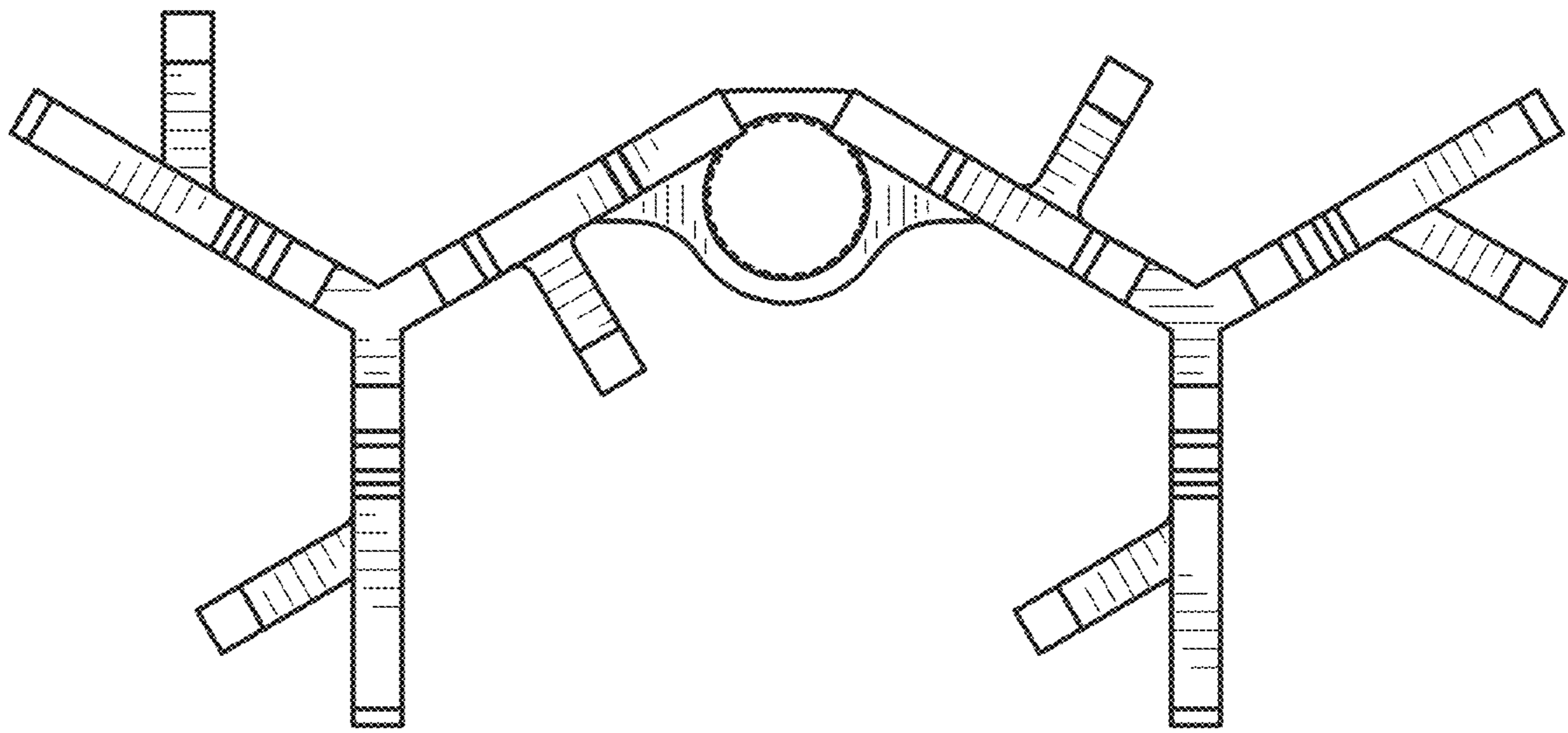


FIG. 20