

US00D962756S

(12) **United States Design Patent** (10) **Patent No.:** **US D962,756 S**
Wu (45) **Date of Patent:** **** Sep. 6, 2022**

(54) **LIGHT STRIP FASTENER**
(71) Applicant: **Shenzhen Intellirocks Tech. Co., Ltd,**
Shenzhen (CN)
(72) Inventor: **Wenlong Wu,** Shenzhen (CN)
(73) Assignee: **Shenzhen Intellirocks Tech. Co., Ltd,**
Shenzhen (CN)

(**) Term: **15 Years**

(21) Appl. No.: **29/704,429**

(22) Filed: **Sep. 5, 2019**

(51) **LOC (13) Cl.** **08-08**

(52) **U.S. Cl.**
USPC **D8/383**

(58) **Field of Classification Search**
USPC D14/126-127, 224, 239, 371-374, 434,
D14/451-452; D25/119-125, 61, 164,
D25/199; D6/681, 705-706; D8/349,
D8/354-356, 373, 376-377, 380, 382-383
CPC E04B 1/2608; E04B 1/2612; E04B 1/2403;
E04B 1/38; E04B 1/40; F16G 11/10;
F16G 11/101; F16G 11/103; F16G 11/12;
F16G 11/14; F16G 11/02; F16G 11/03;
F16G 11/06; F16G 11/106; F16G 11/143;
A47H 1/03; A47H 1/14; A47H 1/142;
A47H 1/122; A47H 13/01; A47H 5/02;
F16B 2/065; F16B 45/00; F16B 2/08;
F16B 2/22; F16B 2200/10; F16B
2200/503; F16B 25/0005; F16B 25/0015;
F16B 25/0036; F16B 25/0063; F16B
25/0073; F16B 25/0084; F16B 25/103;
F16B 7/00; F16B 7/0493; F16B 7/105;
F16B 9/052; F16B 9/058

See application file for complete search history.

(56) **References Cited**

U.S. PATENT DOCUMENTS

D277,546 S * 2/1985 Trotta D8/382
D279,431 S * 7/1985 Sutherland D6/300
D288,661 S * 3/1987 Sharpe D8/356

(Continued)

OTHER PUBLICATIONS

Clear Strip Light Clips Self Adhesive, Date Visited: Mar. 22, 2022,
Amazon, Date Available: Dec. 2, 2021, <https://www.amazon.co.uk/BTF-LIGHTING-Adhesive-Screws-Mounting-Brackets/dp/B09MVLTV1P> (Year: 2021).*

(Continued)

Primary Examiner — Karen S Acker
Assistant Examiner — Elizabeth S Ko

(74) *Attorney, Agent, or Firm* — W&G Law Group

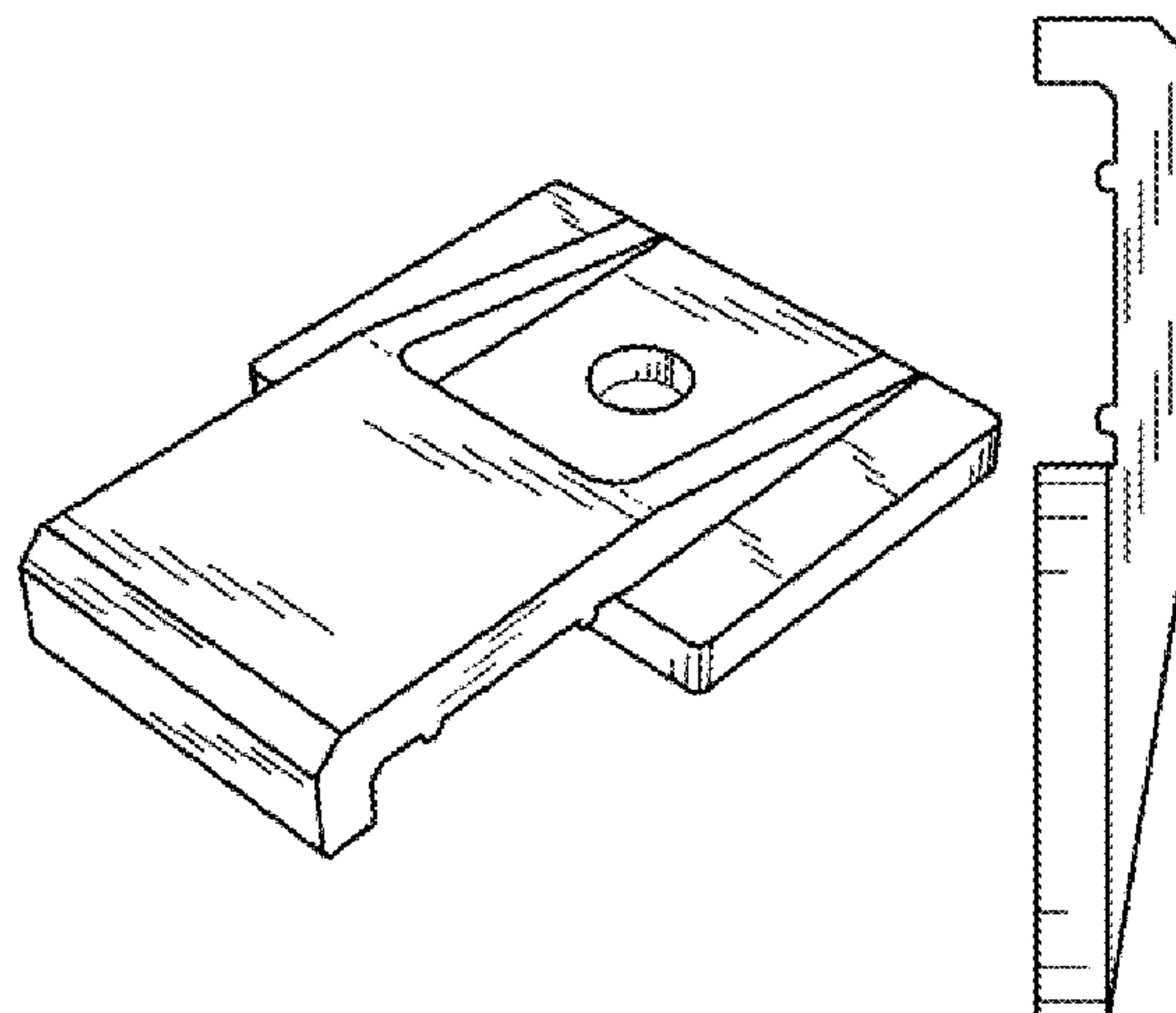
(57) **CLAIM**

The ornamental design for a light strip fastener, as shown and described.

DESCRIPTION

FIG. 1 is a first perspective view of a light strip fastener showing the new design;
FIG. 2 is a second perspective view of the light strip fastener showing the new design;
FIG. 3 is a front view thereof;
FIG. 4 is a rear view thereof;
FIG. 5 is a left view thereof;
FIG. 6 is a right view thereof;
FIG. 7 is a top view thereof;
FIG. 8 is a bottom view thereof;
FIG. 9 is a perspective view of the light strip fastener in use with a light strip; and,
FIG. 10 is a perspective view of the light strip fastener in use with a light strip.
The broken lines in the figures depict portions of the light strip fastener which form no part of the claimed design. Additional broken lines in FIGS. 9-10 depict environmental subject matter that forms no part of the claimed design.

1 Claim, 10 Drawing Sheets



(56)

References Cited

U.S. PATENT DOCUMENTS

D295,723 S * 5/1988 Shioda D8/380
 D296,417 S * 6/1988 Misono D8/380
 D314,911 S * 2/1991 Spica D10/110
 D315,289 S * 3/1991 Rankin D8/373
 D315,864 S * 4/1991 Embree D8/395
 D316,811 S * 5/1991 Paul D8/382
 D316,956 S * 5/1991 Hoskinson D8/367
 D469,003 S * 1/2003 Valiulis D8/371
 D470,397 S * 2/2003 Valiulis D8/371
 D471,431 S * 3/2003 Valiulis A47F 5/0823
 D527,989 S * 9/2006 Kingsford D8/383
 D532,291 S * 11/2006 Geers D8/394
 D579,759 S * 11/2008 Strait D8/349
 D581,250 S * 11/2008 Florent D8/349
 D696,570 S * 12/2013 Mirer D8/349
 D702,531 S * 4/2014 Eddisford D8/349
 D762,105 S * 7/2016 Prevost D8/349
 9,924,754 B1 * 3/2018 Soto A42B 3/04
 D823,672 S * 7/2018 Mogensen D8/382
 D911,156 S * 2/2021 Wang D8/383
 D938,263 S * 12/2021 Miao D8/356

D944,632 S * 3/2022 Spearing D8/382
 2007/0079482 A1 * 4/2007 Robinson B63B 21/08
 24/115 R
 2015/0369422 A1 * 12/2015 Alcorn F16G 11/146
 248/74.1
 2016/0074628 A1 * 3/2016 Smith H04N 5/2253
 604/174
 2016/0143425 A1 * 5/2016 Tvrdy F16B 2/22
 24/3.12
 2016/0174719 A1 * 6/2016 Saiga F16B 2/22
 24/531
 2018/0207919 A1 * 7/2018 McLean F16B 2/22
 2020/0041044 A1 * 2/2020 Naugler F16L 3/24
 2021/0331631 A1 * 10/2021 Ahmed F16B 5/0685
 2022/0042529 A1 * 2/2022 Hundley F16B 2/245

OTHER PUBLICATIONS

Led Light Strip Clips Adhesive, Date Visited: Mar. 22, 2022,
 Amazon, Date Available: Jul. 27, 2021, <https://www.amazon.co.uk/Adhesive-Mounting-Fasteners-Self-Adhesive-Brackets/dp/B09BB6LN8B> (Year: 2021).*

* cited by examiner

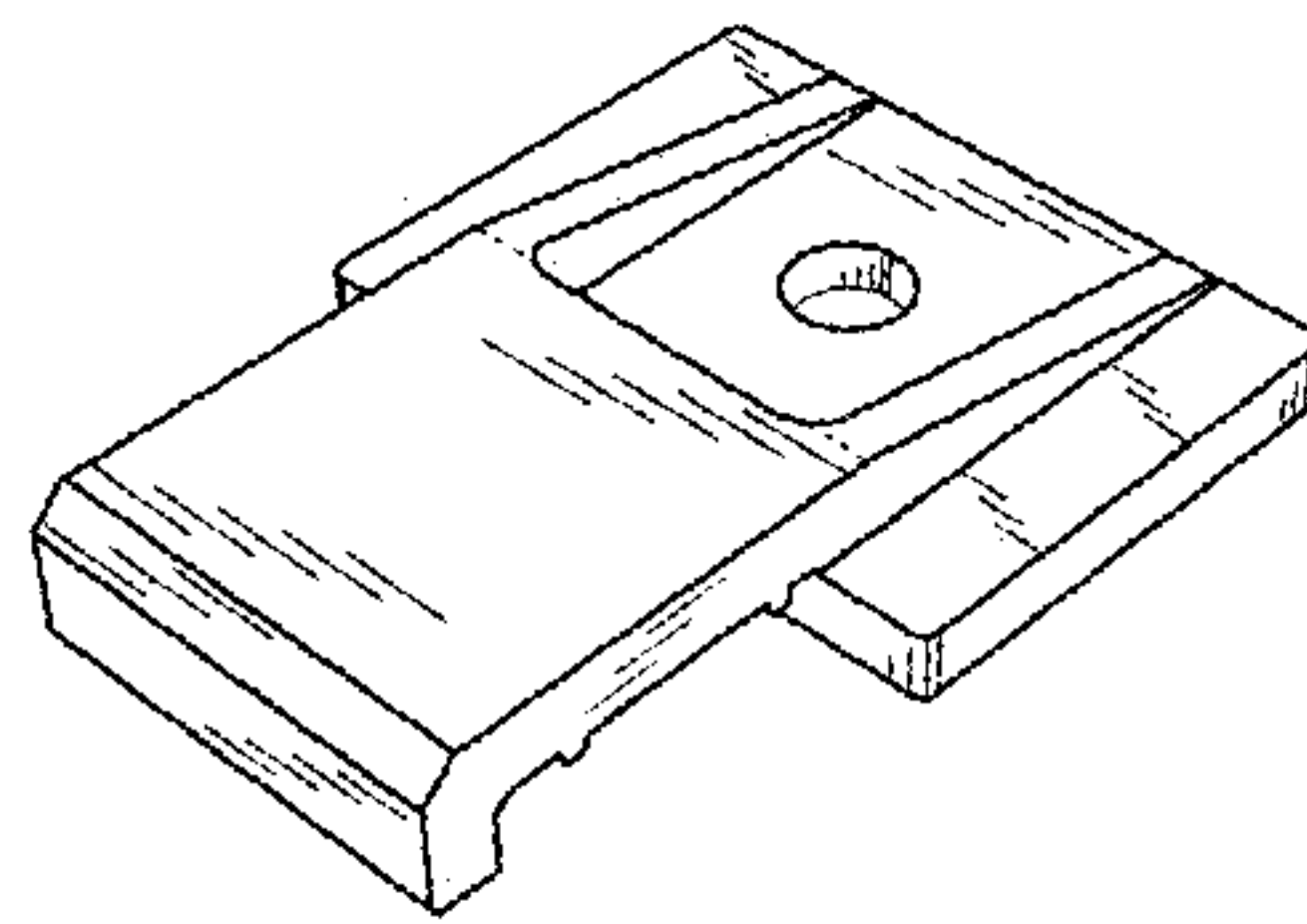


FIG. 1

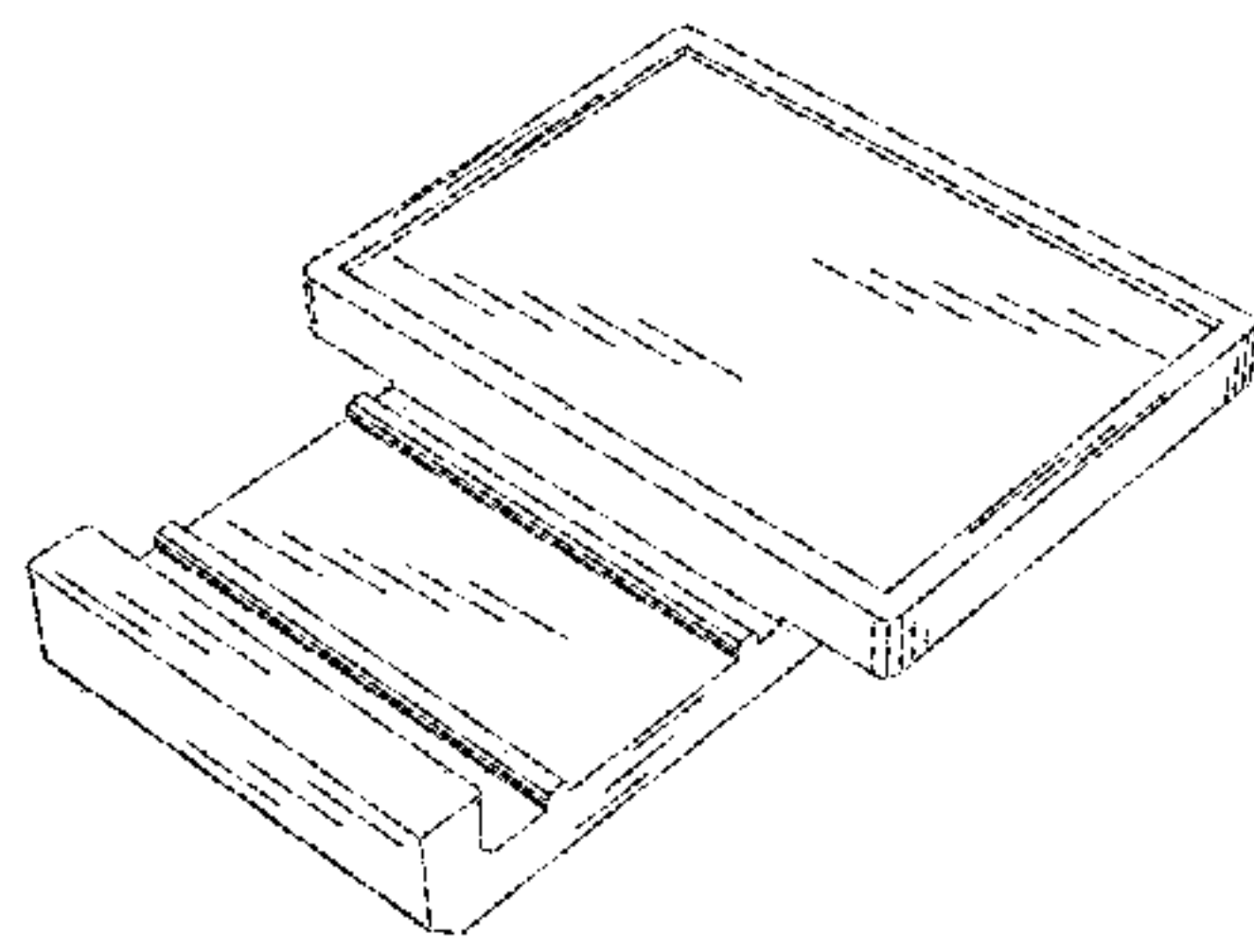


FIG. 2

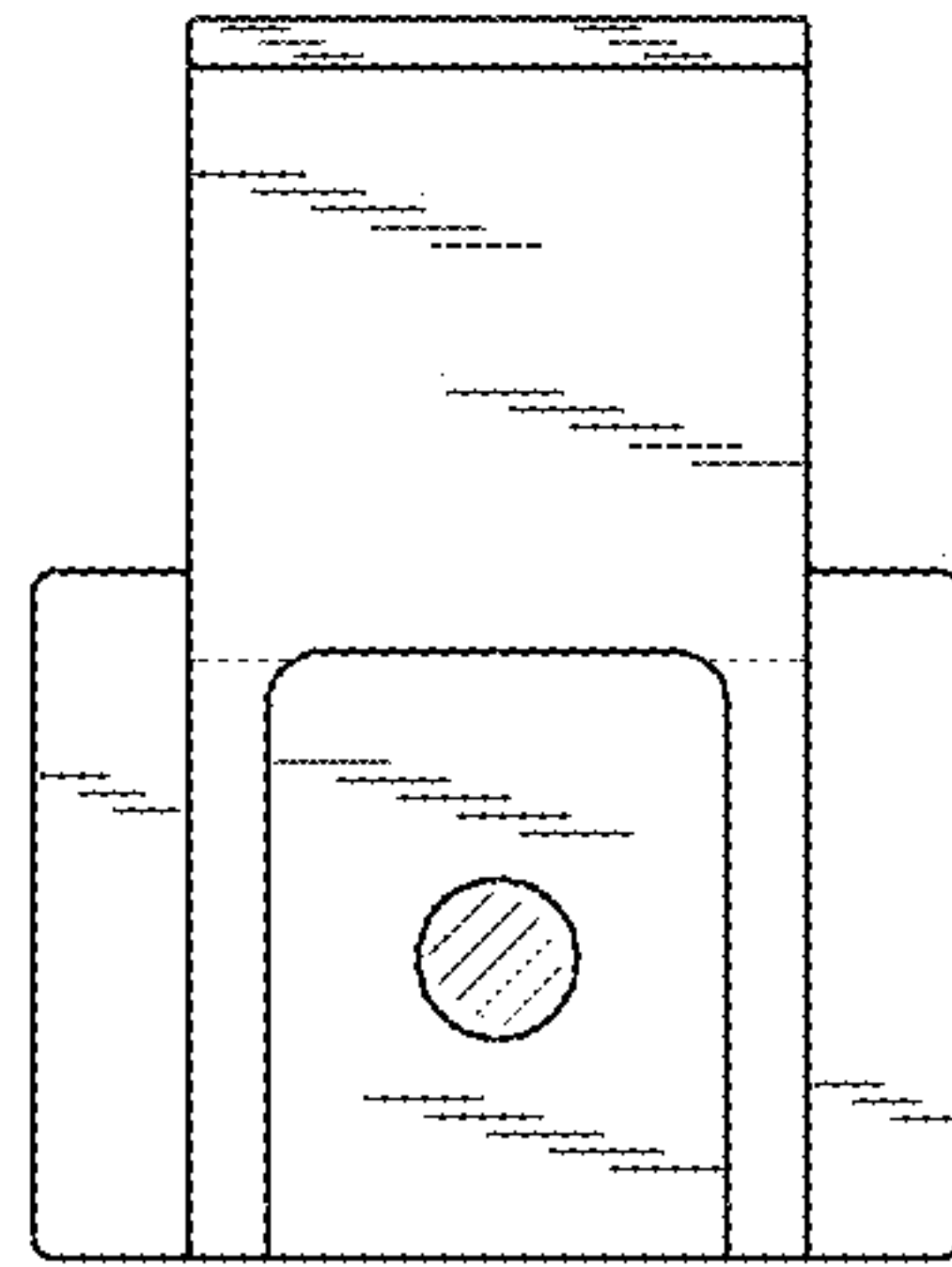


FIG. 3

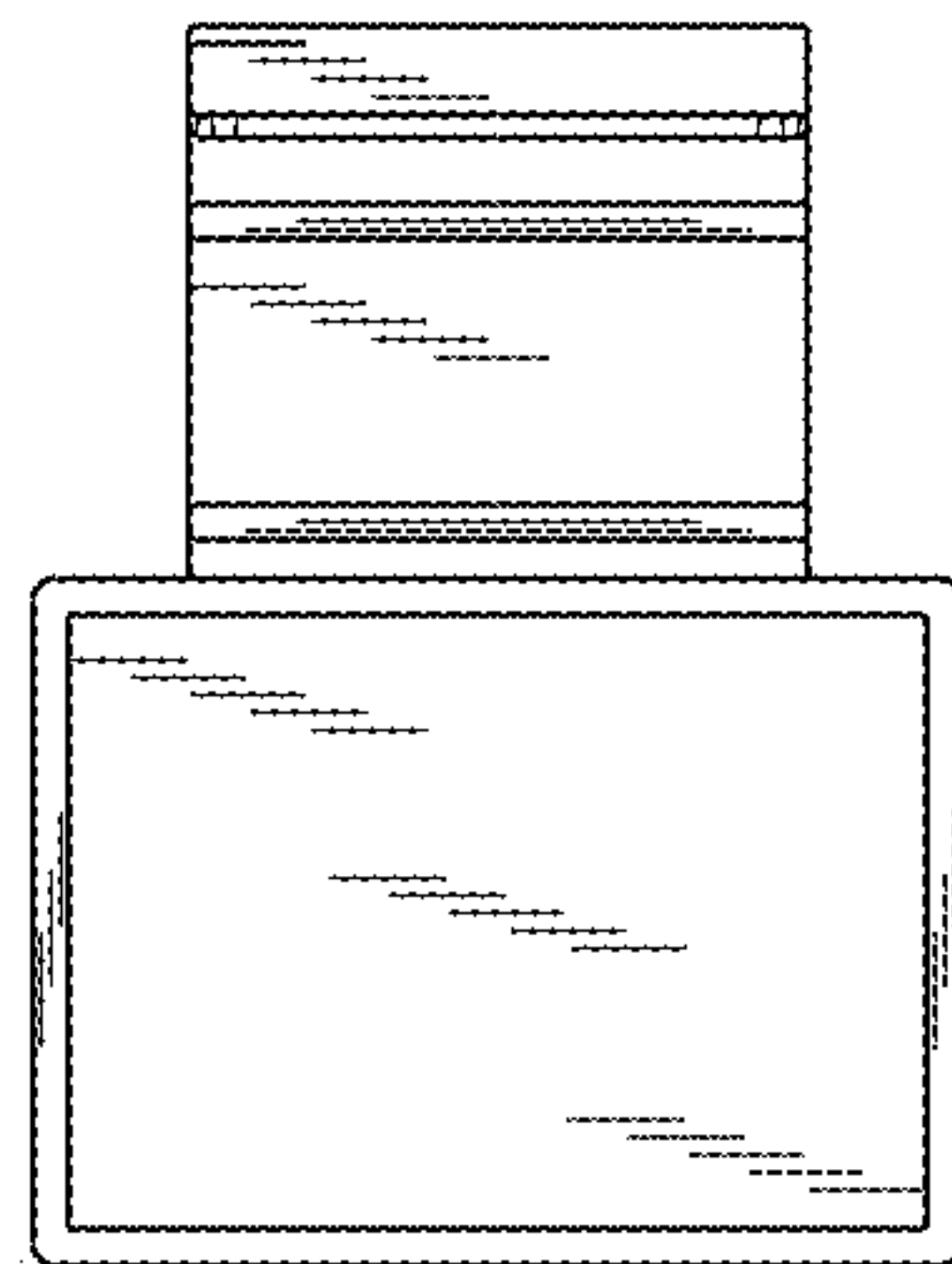


FIG. 4



FIG. 5

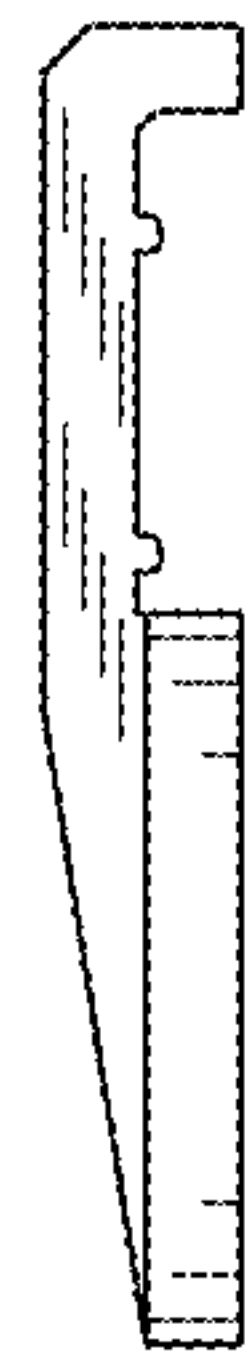


FIG. 6

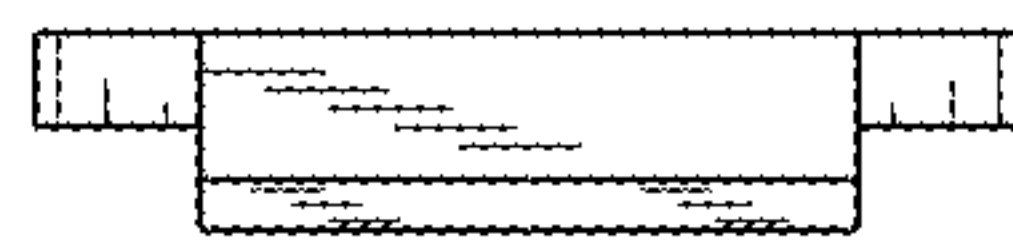


FIG. 7



FIG. 8

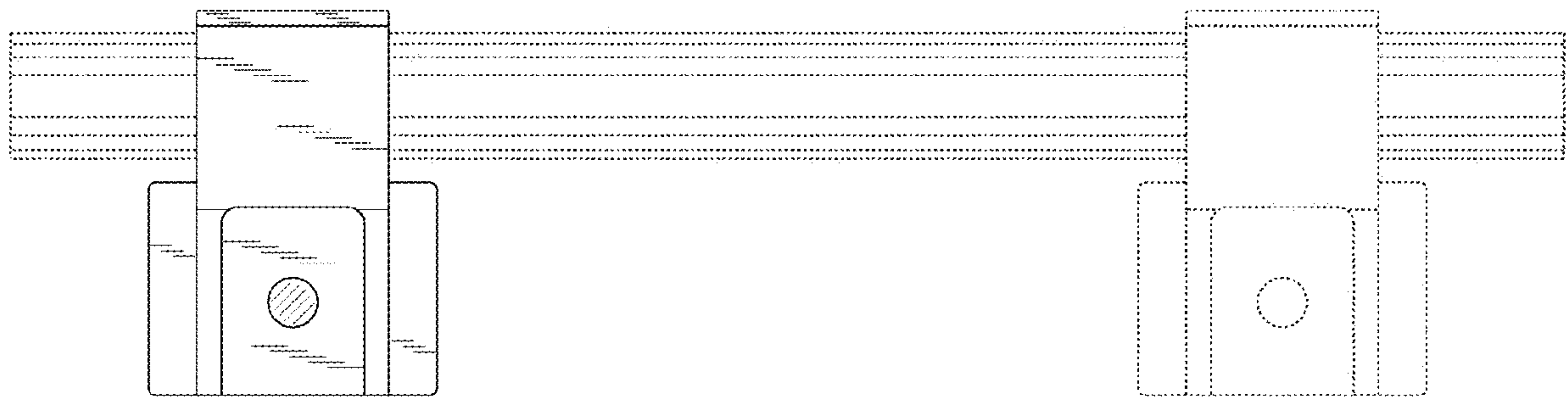


FIG. 9

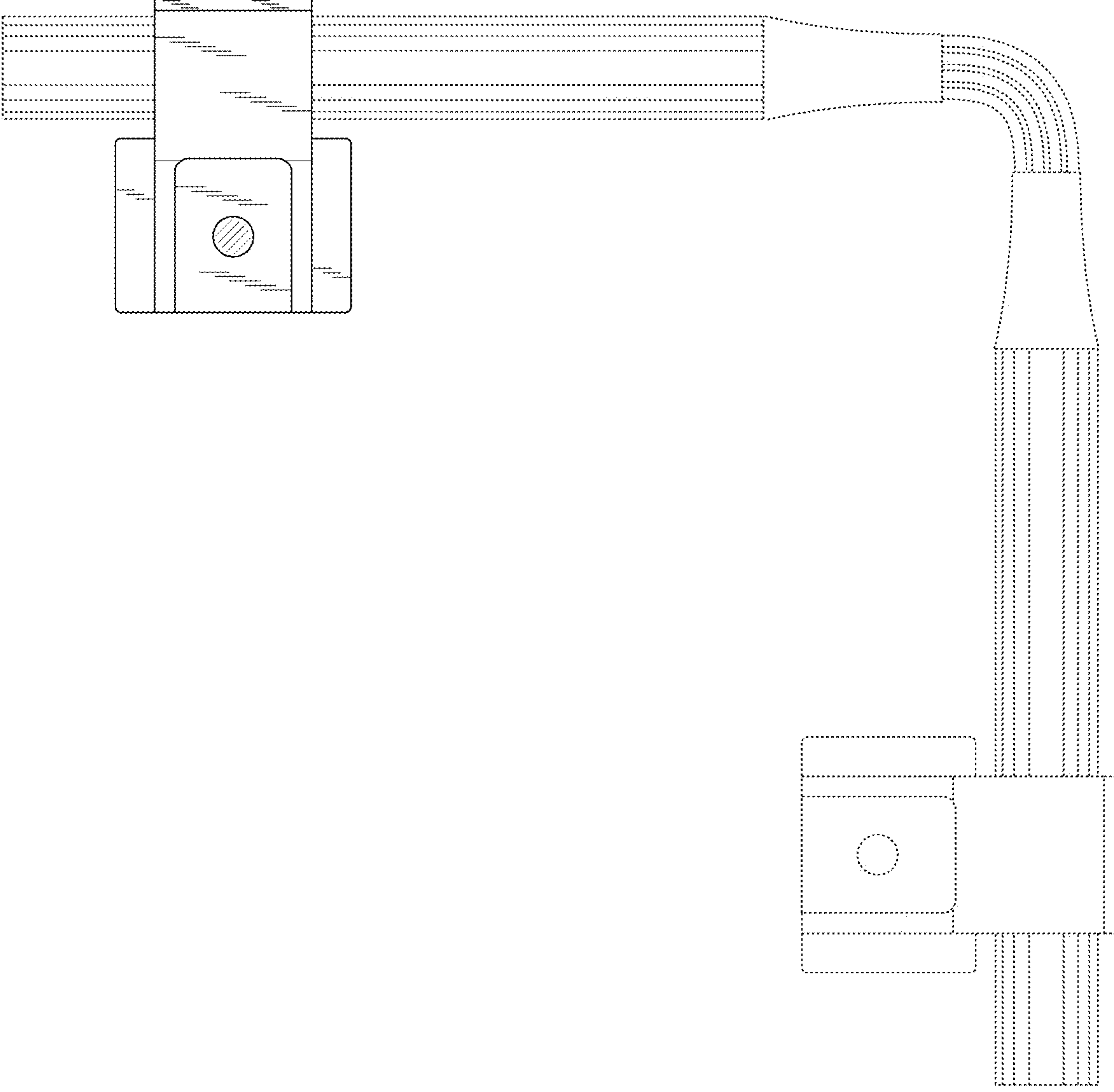


FIG. 10