



US00D962754S

(12) **United States Design Patent**
Chuah

(10) **Patent No.:** **US D962,754 S**

(45) **Date of Patent:** **** Sep. 6, 2022**

(54) **LEG HOLDER FOR CHAIR**

(71) Applicant: **Khai Gan Chuah**, Austin, TX (US)

(72) Inventor: **Khai Gan Chuah**, Austin, TX (US)

(**) Term: **15 Years**

(21) Appl. No.: **29/710,694**

(22) Filed: **Oct. 25, 2019**

(51) **LOC (13) Cl.** **08-11**

(52) **U.S. Cl.**
USPC **D8/374**

(58) **Field of Classification Search**
USPC D8/354, 373-374, 363, 366, 376,
D8/380-381
CPC A47G 7/047; A47G 7/045; A47G 7/042;
A47G 7/044; A01G 9/024; A01G 25/14;
A01G 27/001; A01G 9/042; A01G
27/005; A01G 31/001; A01G 9/02; A01G
9/083; A01G 9/12; B65H 75/40; B65H
75/4407; B65H 75/4471; B65H 2701/34;
B65H 2701/32; B65H 2511/142; B65H
29/008; B65H 75/22; A47F 7/14; A47F
7/16; A47F 7/143; A47F 5/08; A47F
5/0807; A47F 5/0815; A47F 5/0838;
A47F 5/0846; A47F 5/0853; A47F 5/105;
E04F 11/1804; E04F 11/1808; E04F
11/1812

D373,721 S * 9/1996 Panow D6/710
6,715,840 B2 * 4/2004 Martin A47C 3/38
297/463.1
D497,307 S * 10/2004 Heisey D8/374
D647,391 S * 10/2011 Barrese D8/373
D890,598 S * 7/2020 Chase D8/374
D891,234 S * 7/2020 Logar D8/374
D893,288 S * 8/2020 Wendling D8/374
D894,720 S * 9/2020 Wendling D8/374
D896,621 S * 9/2020 Wendling D8/374
D896,622 S * 9/2020 Wendling D8/374
D915,871 S * 4/2021 Wendling D8/374
D923,462 S * 6/2021 Wendling D8/374
D925,342 S * 7/2021 Winthrop D8/374

(Continued)

See application file for complete search history.

(56) **References Cited**

U.S. PATENT DOCUMENTS

755,713 A * 3/1904 Shanahan E06C 7/46
182/110
D45,196 S * 2/1914 Lawson D8/374
2,103,095 A * 12/1937 Schermerhorn A47B 91/04
248/188.9
D153,900 S * 5/1949 Regan D25/68
D265,592 S * 7/1982 Perkins D25/68

OTHER PUBLICATIONS

L Shaped Angle Iron Foot Pads, Date Visited: Jan. 15, 2022, Amazon, Date Available: Oct. 28, 2019, <https://www.amazon.com/Shaped-Angle-Iron-Foot-Pads/dp/B07ZPDMMZ5?th=1> (Year: 2019).*

Primary Examiner — Karen S Acker

Assistant Examiner — Elizabeth S Ko

(74) *Attorney, Agent, or Firm* — Craige Thompson;
Thompson Patent Law; Timothy D. Snowden

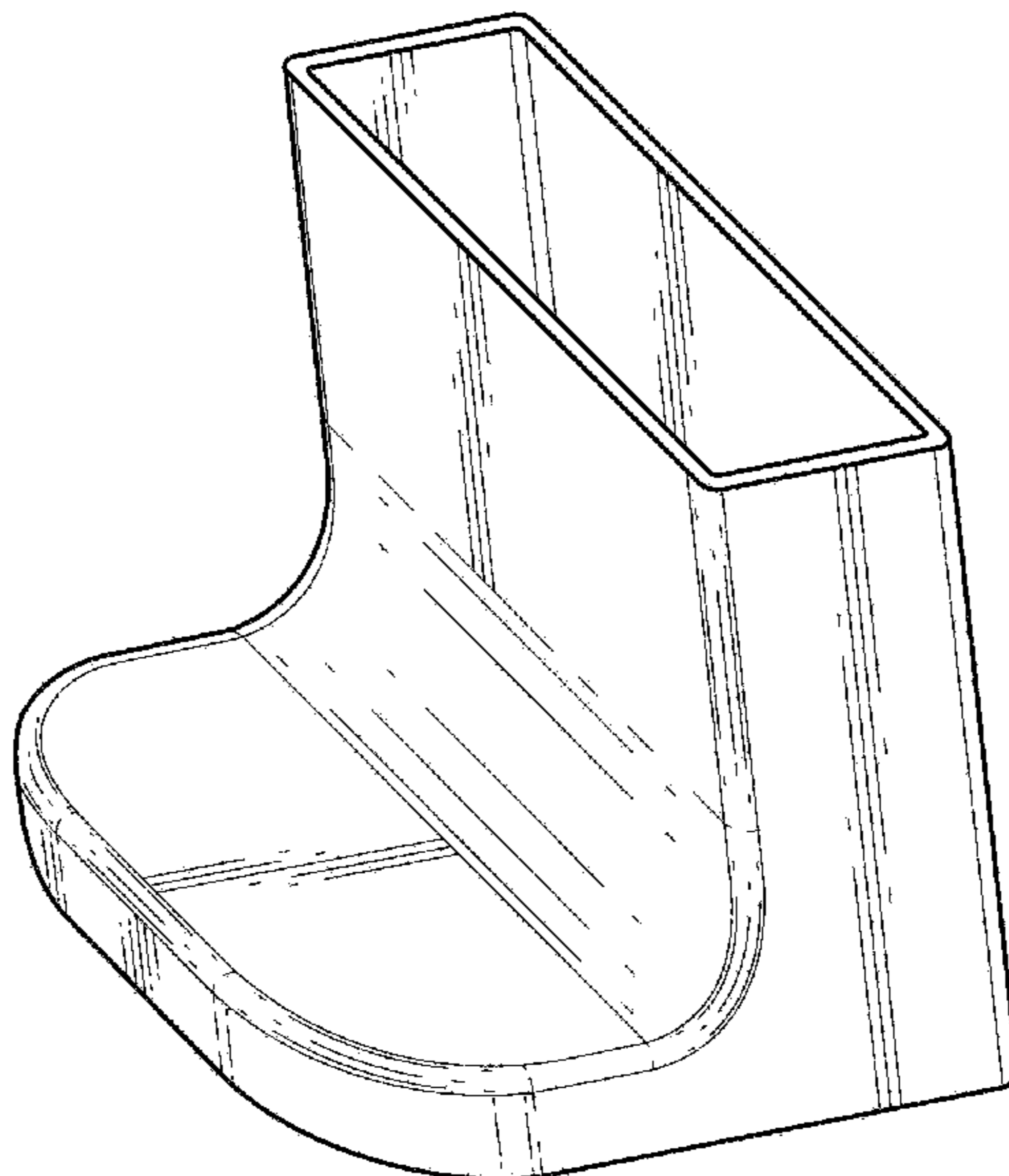
(57) **CLAIM**

The ornamental design for a leg holder for chair, as shown.

DESCRIPTION

FIG. 1 is a front and right side perspective view of a leg holder for chair showing my new design;
FIG. 2 is a front and left side perspective view thereof;
FIG. 3 is a front view thereof;
FIG. 4 is a rear view thereof;
FIG. 5 is a right view thereof;
FIG. 6 is a left view thereof;
FIG. 7 is a top view thereof; and,
FIG. 8 is a bottom view thereof.

1 Claim, 8 Drawing Sheets



(56)

References Cited

U.S. PATENT DOCUMENTS

D929,212 S * 8/2021 Guindi D8/374
D931,092 S * 9/2021 Tu D8/374

* cited by examiner

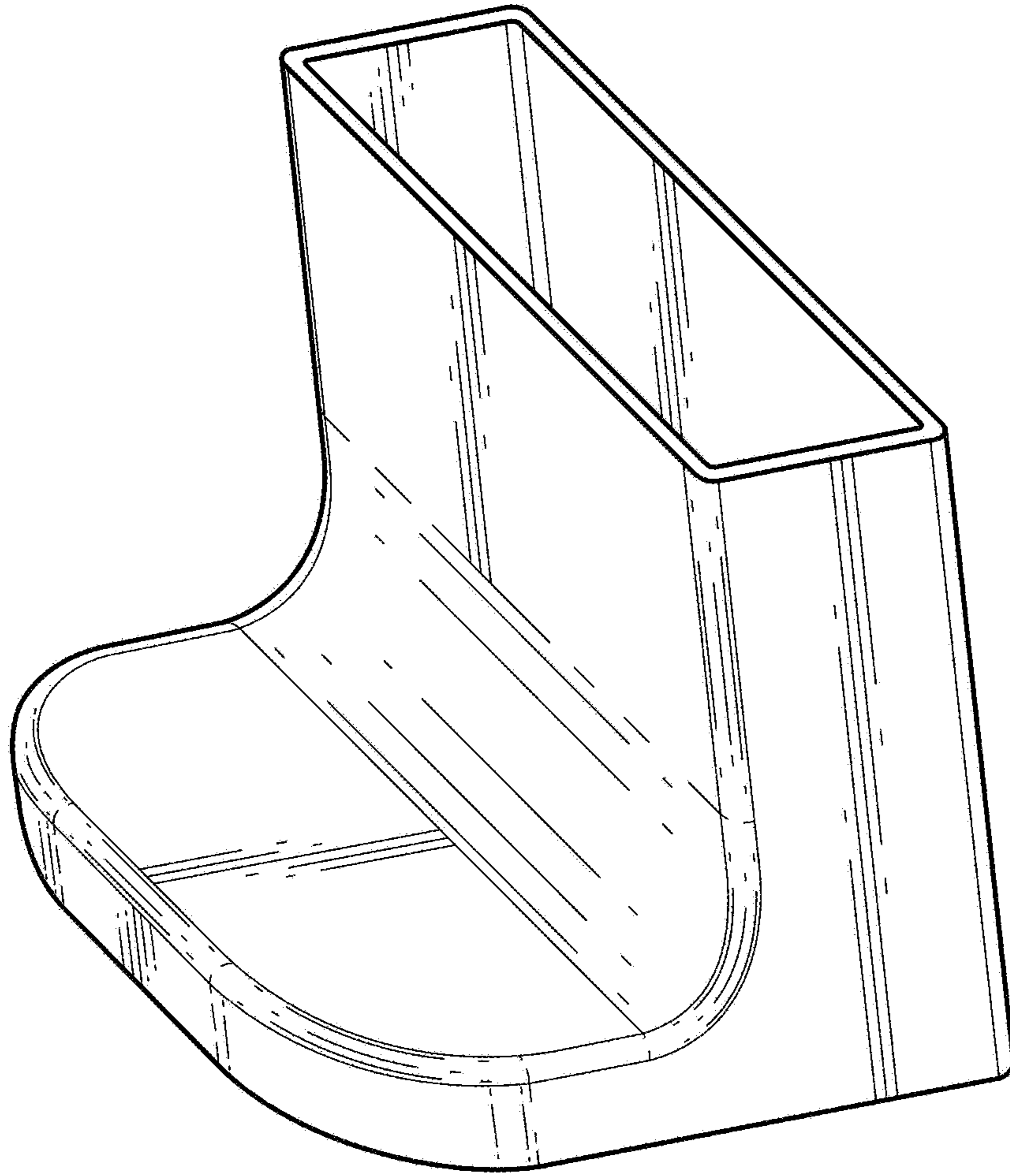


FIG. 1

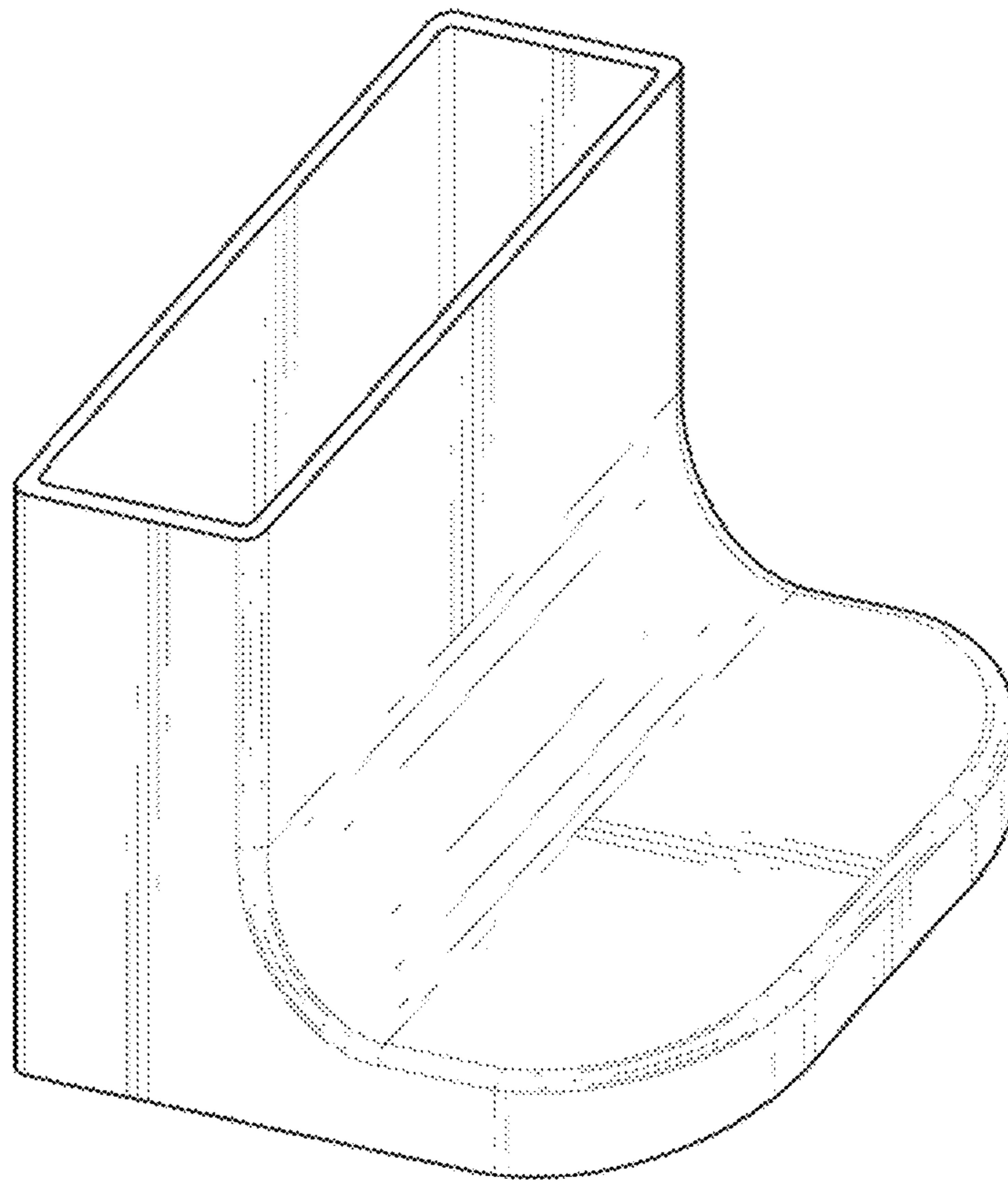


FIG. 2

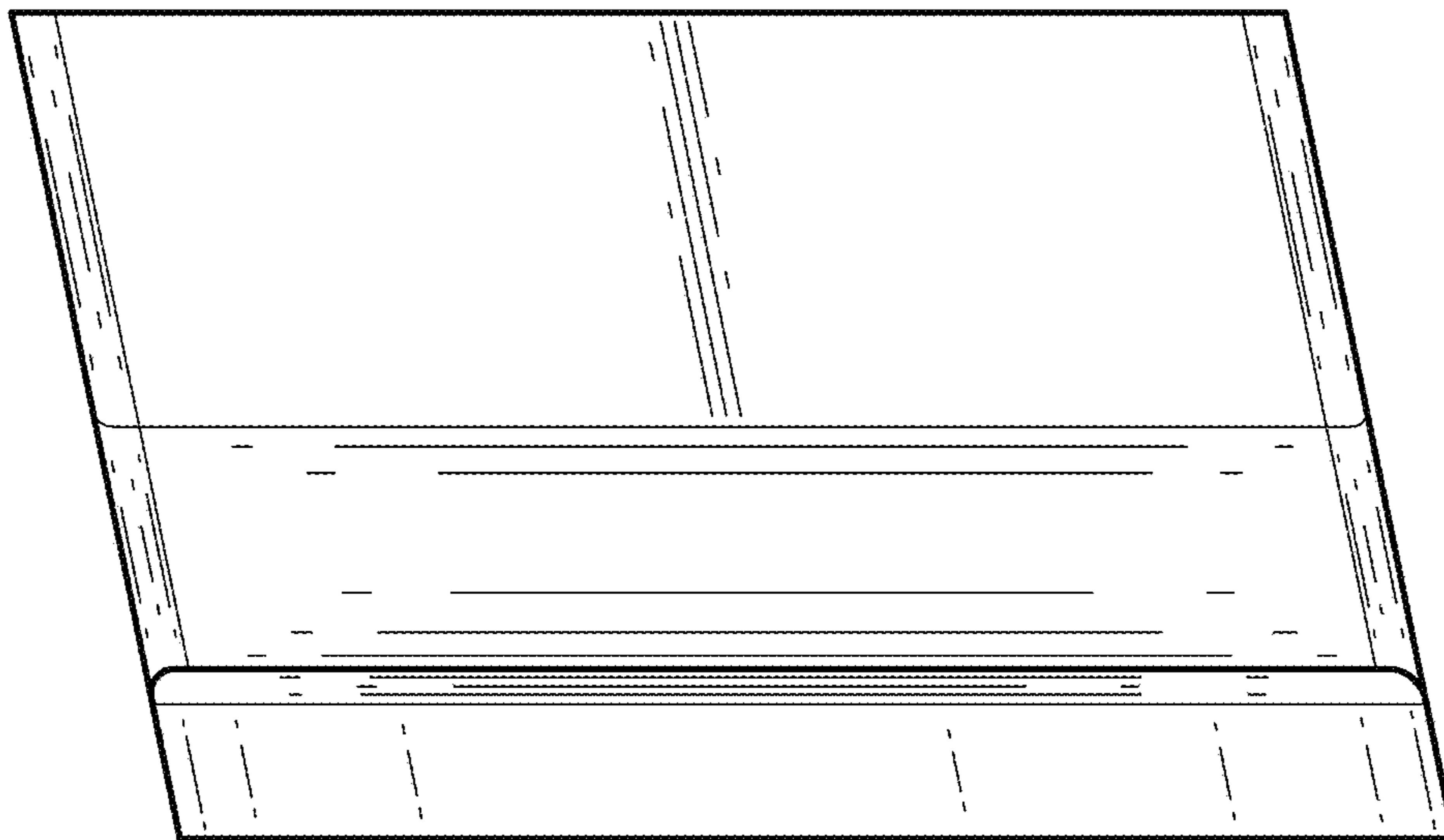


FIG. 3

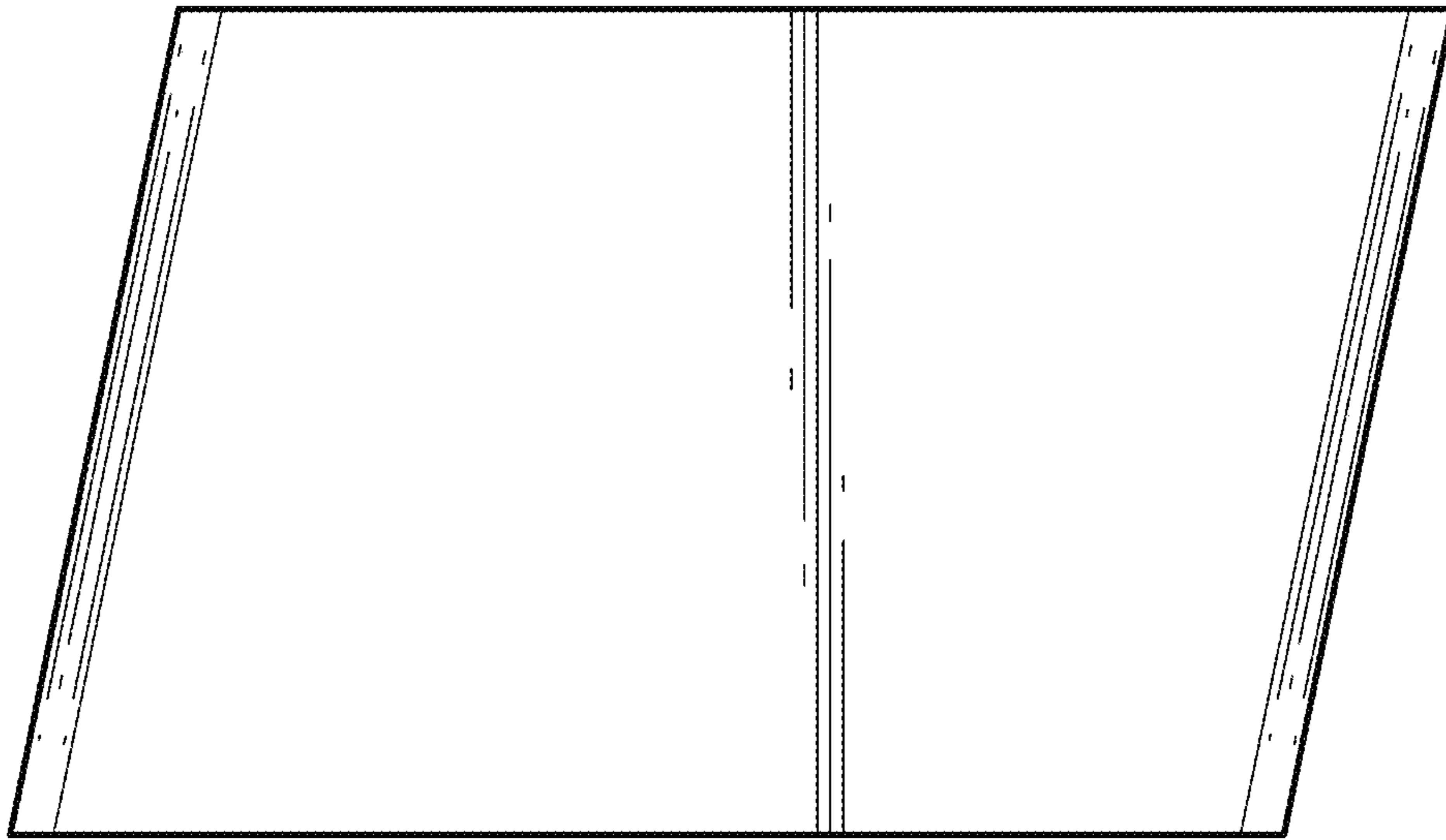


FIG. 4

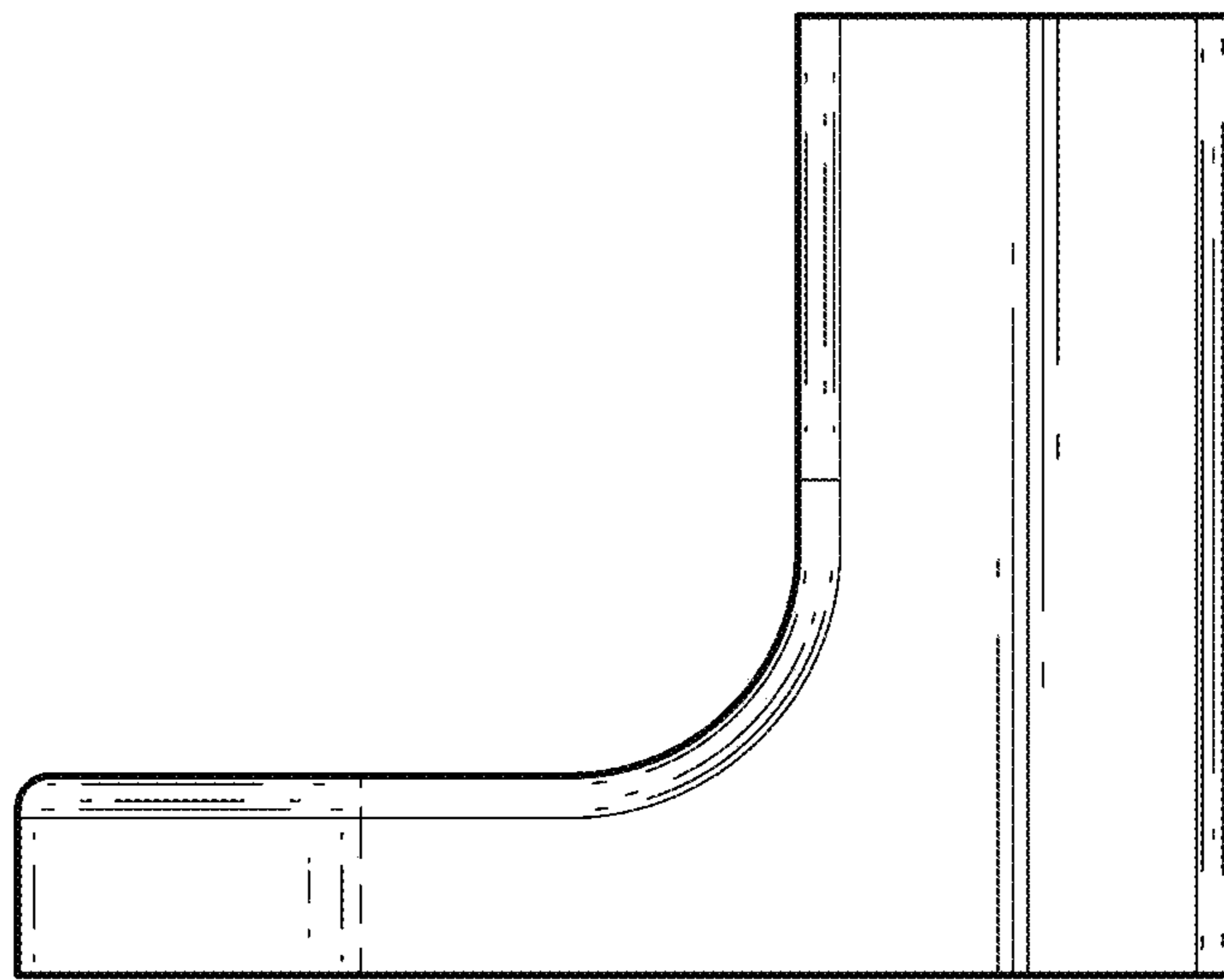


FIG. 5

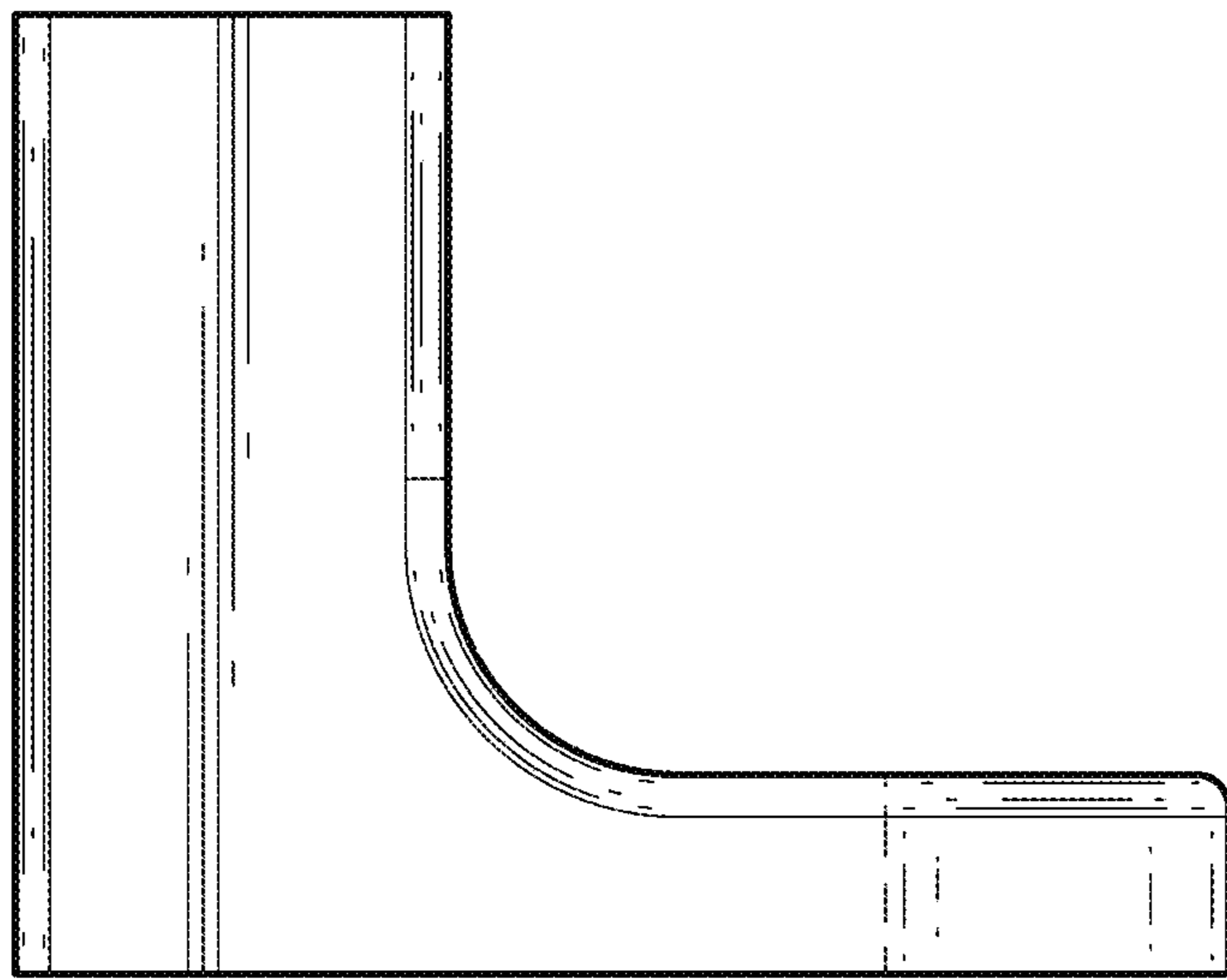


FIG. 6

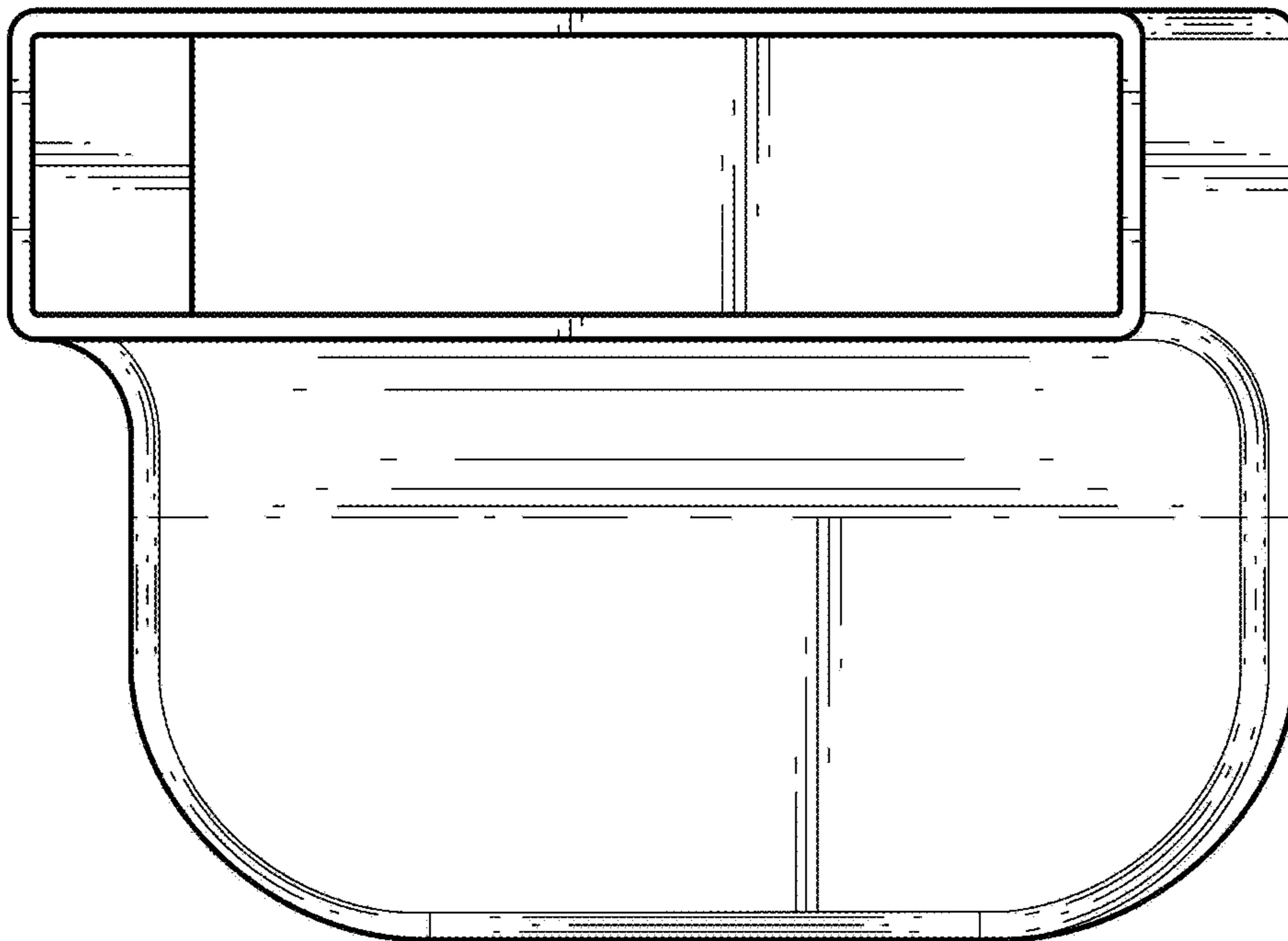


FIG. 7

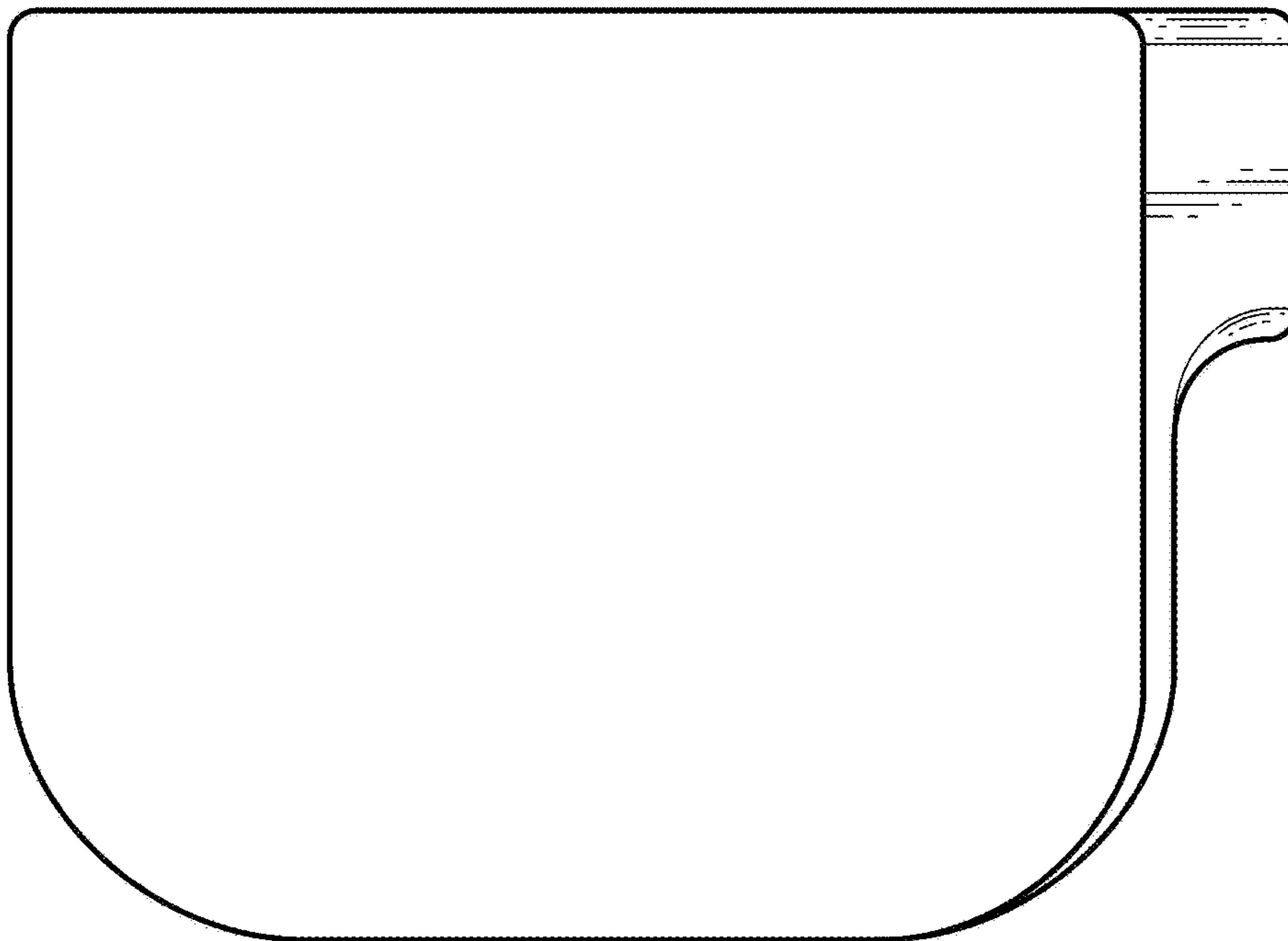


FIG. 8