



US00D962752S

(12) **United States Design Patent** (10) **Patent No.:** **US D962,752 S**
Olsen et al. (45) **Date of Patent:** **** Sep. 6, 2022**

(54) **CURTAIN QUICK-RELEASE** 5,217,057 A 6/1993 Hubbard et al.
D337,516 S * 7/1993 Williams D8/377
(71) Applicant: **Bannack Medical LLC**, Gilbert, AZ 6,000,456 A 12/1999 Neverett
(US) 6,564,851 B1 5/2003 Liao et al.
D475,231 S * 6/2003 Briles D8/368
(Continued)

(72) Inventors: **Arlen Olsen**, Clifton Park, NY (US);
Joshua Olsen, Logan, UT (US); **Joel Price**, Germantown, MD (US)

FOREIGN PATENT DOCUMENTS

(73) Assignee: **BANNACK MEDICAL LLC**, Gilbert,
AZ (US)

CH 657511 A5 9/1986
EP 2428142 A2 3/2012
(Continued)

(**) Term: **15 Years**

OTHER PUBLICATIONS

(21) Appl. No.: **29/755,256**

InControl—SmartGuard Disposable Privacy Curtains; ttp://
globalmedics.co.nz/media//InControl_SmartGuard_Brochure_2.
pdf. 12 Pages.

(22) Filed: **Oct. 19, 2020**

(51) **LOC (13) Cl.** **08-11**

(Continued)

(52) **U.S. Cl.**

USPC **D8/369**

(58) **Field of Classification Search**

USPC D8/367, 356, 354, 349, 18, 105, 368,
D8/369; 248/341; 224/217; 24/1, 702;
160/330; 16/87.2, 93 D

CPC A45F 5/021; A44B 13/0029; F16B 45/00;

F16M 13/02

See application file for complete search history.

Primary Examiner — Cynthia R Underwood

(74) *Attorney, Agent, or Firm* — Schmeiser, Olsen &
Watts LLP

(57)

CLAIM

The ornamental design for a curtain quick-release, as shown
and described.

(56) **References Cited**

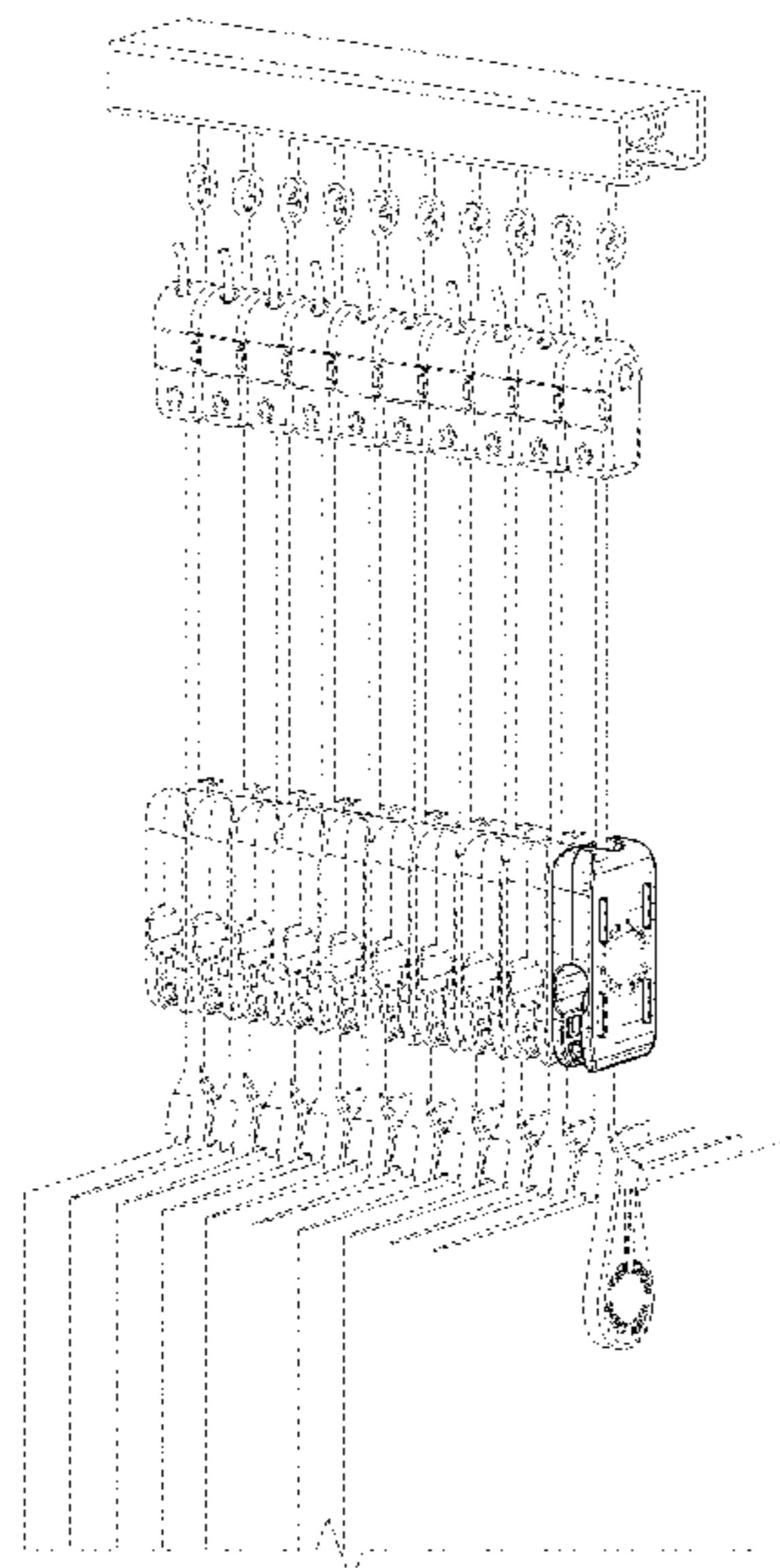
DESCRIPTION

U.S. PATENT DOCUMENTS

948,687 A 2/1910 Kirkbride
1,472,766 A 10/1923 Fraser
2,544,516 A 3/1951 Walters
2,594,605 A 4/1952 Zoppelt
2,968,205 A 1/1961 Springate
3,191,665 A * 6/1965 Rosenbaum A47H 13/14
160/348
D208,302 S * 8/1967 Romano D8/395
3,645,318 A 2/1972 Holzlehner
3,712,509 A 1/1973 Niel
4,282,630 A 8/1981 Toder
4,359,080 A 11/1982 Brydolf

FIG. 1 is a top front perspective view of a curtain quick-
release showing our new design;
FIG. 2 is a first side view thereof;
FIG. 3 is an opposite side view thereof;
FIG. 4 is a front view thereof;
FIG. 5 is a rear view thereof;
FIG. 6 is a top view thereof; and,
FIG. 7 is a bottom view thereof.
The broken lines depict an environment of use that form no
part of the claim.

1 Claim, 5 Drawing Sheets



(56)

References Cited

U.S. PATENT DOCUMENTS

6,595,478	B2 *	7/2003	Lee	A47H 1/102 248/262
6,938,927	B1	9/2005	Martin et al.		
7,100,661	B1 *	9/2006	Pittman	A47H 13/00 248/262
D534,415	S *	1/2007	Salice	D8/349
7,370,839	B2 *	5/2008	Putman	A47H 1/102 248/261
D633,373	S *	3/2011	Grenade	D8/381
D654,347	S *	2/2012	Chen	D8/349
D654,349	S *	2/2012	Schopf	D8/354
D678,042	S *	3/2013	Jacobson	D8/349
8,397,346	B2	3/2013	Peters et al.		
8,479,800	B2	7/2013	Graneto, III et al.		
8,899,301	B2	12/2014	Graneto, III		
D737,126	S *	8/2015	Tschan	D8/373
9,204,749	B1	12/2015	Trapani		
9,480,357	B2	11/2016	Price et al.		
9,585,508	B2	3/2017	Graneto, III		
10,398,248	B1	9/2019	Burch, Jr.		
10,758,072	B2	9/2020	Hatton et al.		
10,945,548	B2	3/2021	Wexler et al.		
2006/0001254	A1	1/2006	Malone		
2007/0012346	A1	1/2007	Choi		
2007/0157505	A1	7/2007	Dodge		
2010/0139873	A1	6/2010	Gardner		
2011/0061819	A1	3/2011	Elinson		
2011/0283479	A1	11/2011	Peters et al.		
2012/0018106	A1	1/2012	Robledo		
2013/0047331	A1	2/2013	Parker et al.		
2015/0208843	A1	7/2015	Ruble et al.		
2016/0037953	A1	2/2016	Price et al.		
2016/0374496	A1	12/2016	Marcinik et al.		
2017/0273492	A1	9/2017	Hatton et al.		
2018/0020860	A1	1/2018	Thomas		
2018/0279818	A1	10/2018	Goelst		

FOREIGN PATENT DOCUMENTS

EP	3308680	A2	4/2018
GB	2358123	A	7/2001
GB	2385511	A	8/2003
GB	2457075	B	10/2011
GB	2489485	A	10/2012
GB	2493773	A	2/2013
KR	101895219	B1	2/1910
TW	M587965	U	12/2019

OTHER PUBLICATIONS

Marlux Disposable Hospital Curtains: <https://www.marluxmedical.com/disposable-curtains>. 8 pages.

Opal Health Disposable Curtains Quick Fit System, May 26, 2017. <https://www.youtube.com/watch?v=XsQnyL-REhY>.

Opalhealth: The Fast, hygienic alternative to traditional curtains, <https://opalhealth.co.uk/benefits/>. 4 pages.

Solent Blinds & Curtains: Disposable Curtains: <https://solentblinds.co.uk/commercial/products/disposable-curtains/>. 1 page.

EasyClick: “The Next Generation of Disposable Curtains”, <https://behrens.co.uk/product/easyclick-the-next-generation-of-disposable-curtains/>. 2 pages.

Installing Locking Button in Telescoping Tube, Jul. 29, 2014. <https://www.youtube.com/watch?v=y3V6o3eca0g>.

Halder: Ball Lock Pins self-locking, with T-handle. <https://www.halder.com/eng/Products/Standard-Parts/Machine-and-Fixture-Elements/Ball-Lock-Pins/Ball-Lock-Pins-self-locking-with-T-handle>. 2 pages.

Rapid Refresh Shower Curtains. <https://www.icpmedical.com/docs/product-sheets/Shower-Curtains-RR.pdf>. 1 page.

ICP Medical: Privacy Curtains: <https://icpmedical.com/docs/product-sheets/Privacy-Curtains-RR.pdf>. 2 pages.

EasyClick Disposable Cubicle Curtains. <https://behrens.co.uk/media/EASYCLICK-advert.jpg>; 1 page.

EasyKlip Instructions. Retrieved from <https://www.curtain-tracks.com/610-easyklip-mini-tarp-clip-10-per-pack.html>. 1 page.

EasyKlip Midi Tarp & Banner Clip, <https://www.curtain-tracks.com/610-easyklip-mini-tarp-clip-10-per-pack.html>. 2 pages.

“Halder Ball Lock Pins”, Oct. 23, 2017. <https://youtu.be/qLTZiNngk9c>.

ICP Medical: Privacy Curtains: <https://www.icpmedical.com/Products/Privacy-Curtains>. 2 pages.

“Installing the ICP Medical Rapid Refresh Privacy Curtain”, Jun. 10, 2014. <https://www.youtube.com/embed/azsr7bpMB5U?autoplay=1>.

“Installing the ICP Medical Rapid Refresh Curtain Rods”, Jun. 10, 2014. <https://www.youtube.com/embed/lohmn8UhiRo?autoplay=1>.

Hasan, Afzal. Patentability Search Report for Disposable Curtain System, dated Jul. 6, 2020.

PCT International Search Report & Written Opinion dated Jan. 5, 2022 corresponding to PCT International Application No. PCT/US2021/046604.

PCT International Search Report & Written Opinion dated Jan. 27, 2022 corresponding to PCT International Application No. PCT/US21/55740.

Notice of Allowance (dated Feb. 4, 2022) for U.S. Appl. No. 16/933,545—filed Jul. 20, 2020.

Office Action (dated Nov. 9, 2021) for U.S. Appl. No. 16/933,545—filed Jul. 20, 2020.

Notice of Allowance (dated Mar. 9, 2022) for U.S. Appl. No. 29/755,257, filed Oct. 19, 2020.

Notice of Allowance (dated Mar. 9, 2022) for U.S. Appl. No. 29/755,246, filed Oct. 19, 2020.

* cited by examiner

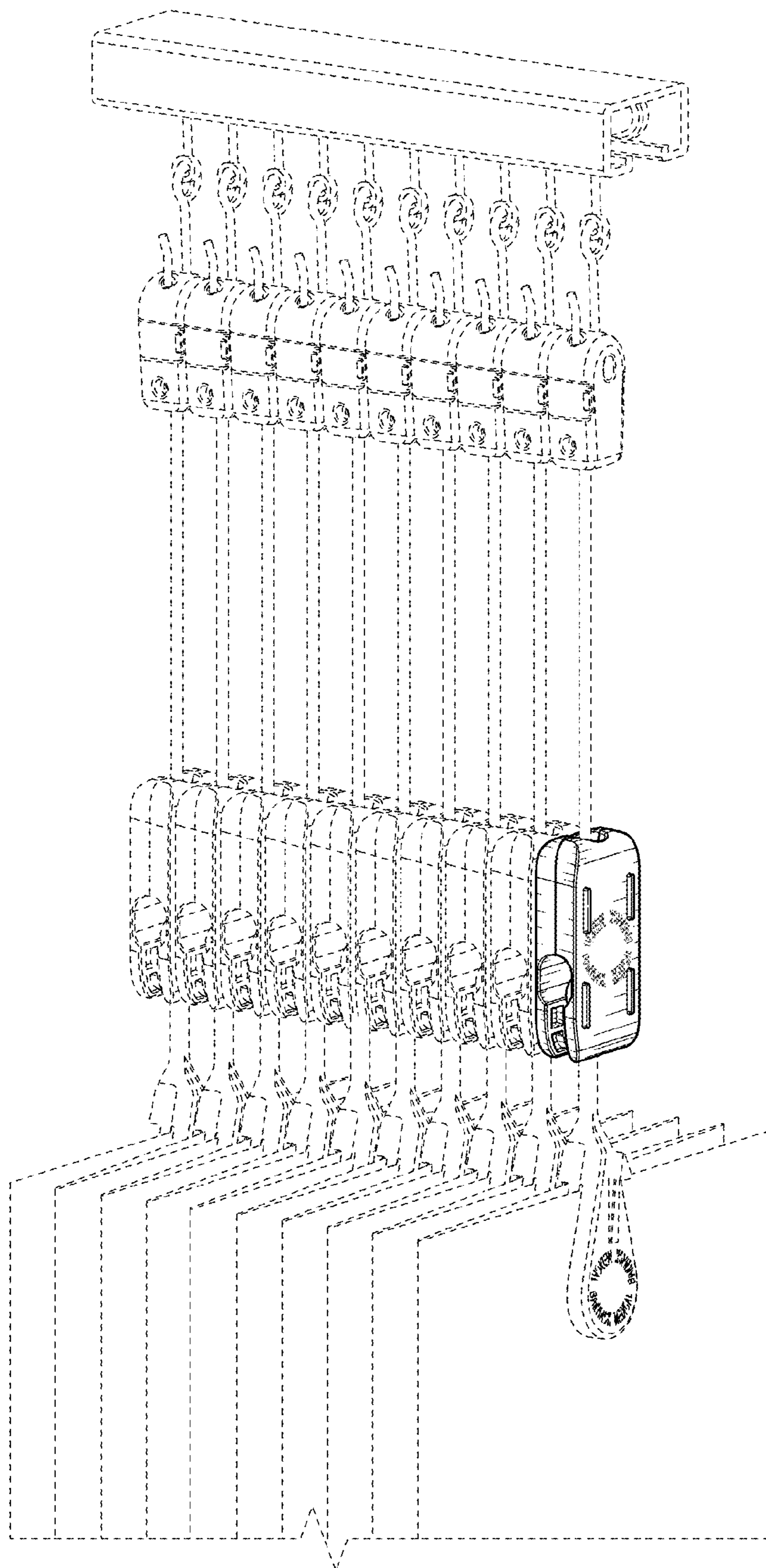


FIG. 1

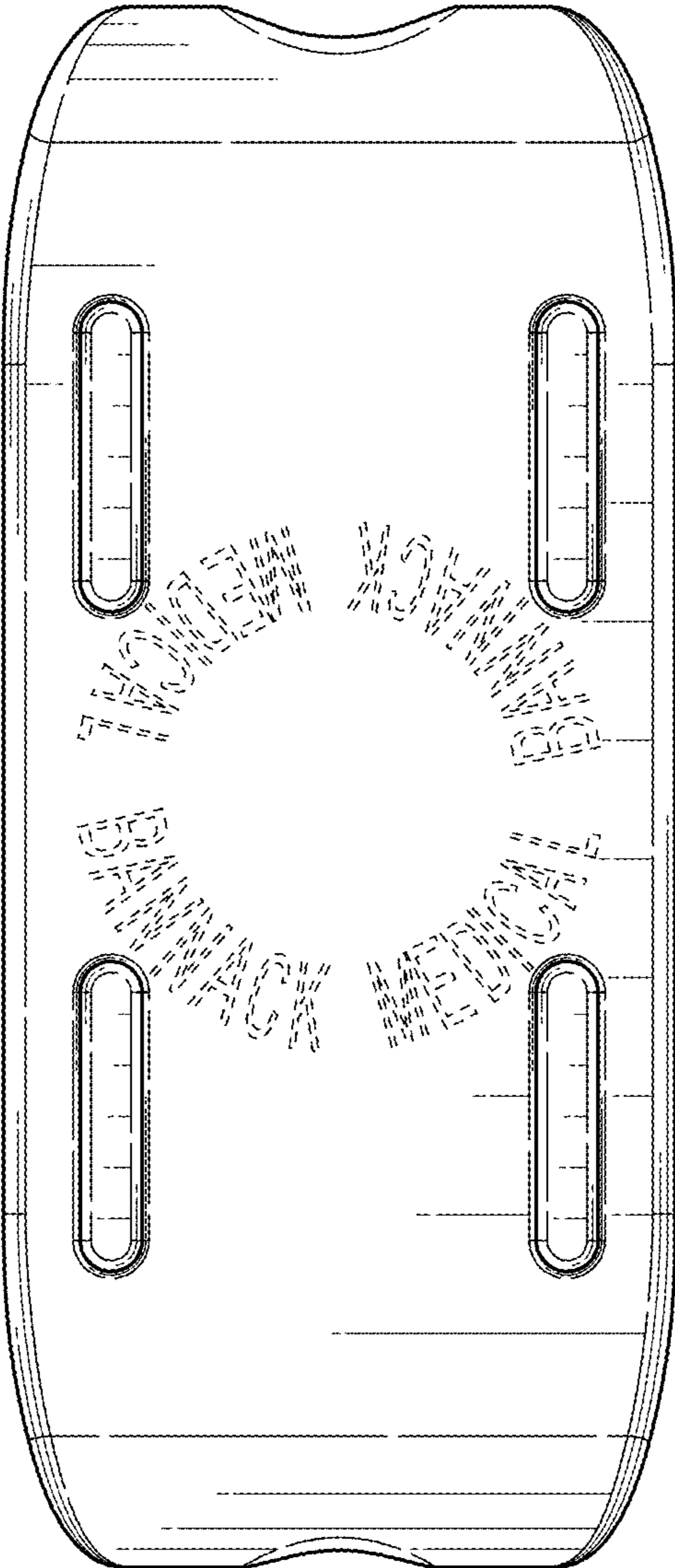


FIG. 2

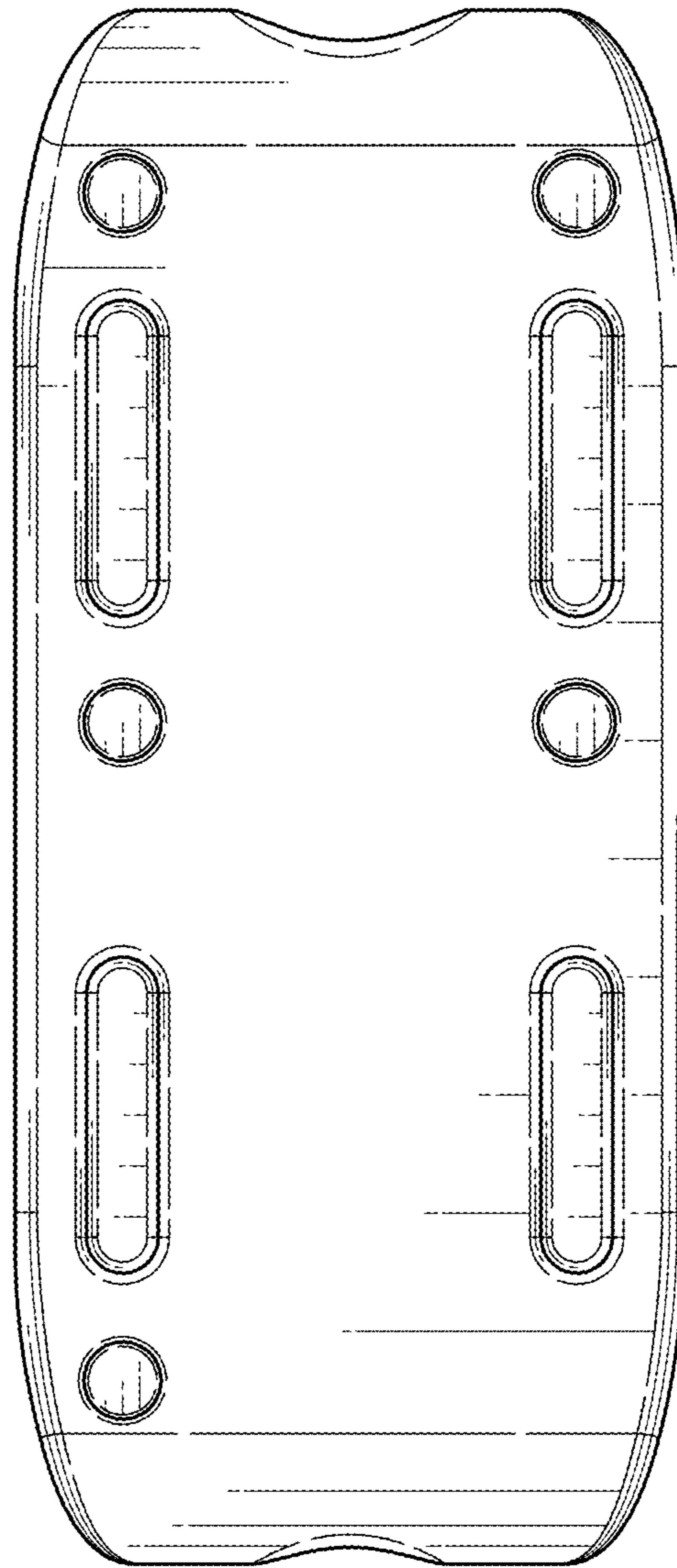


FIG. 3

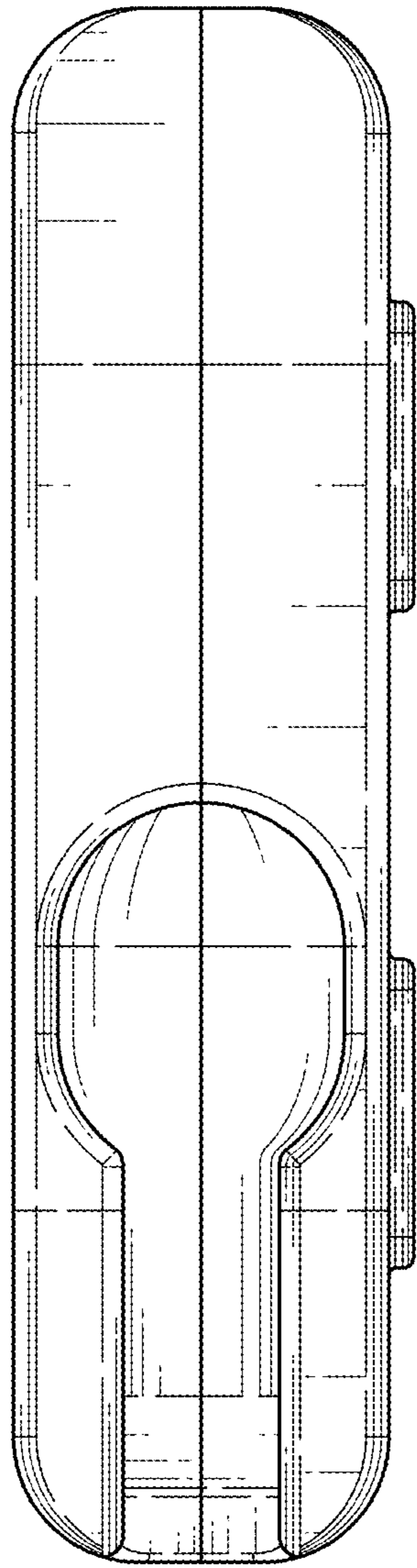


FIG. 4

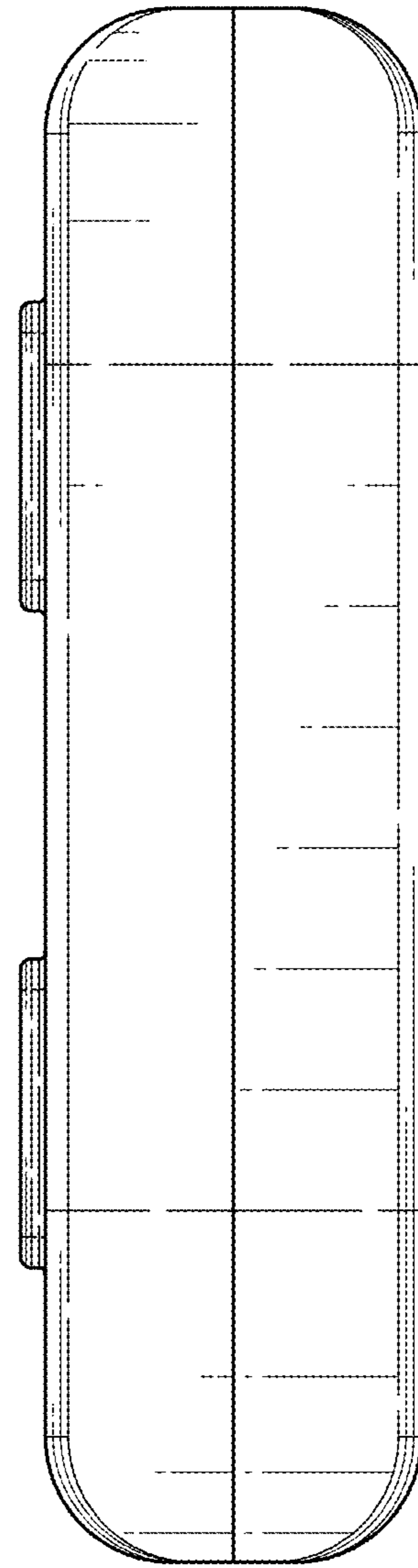


FIG. 5

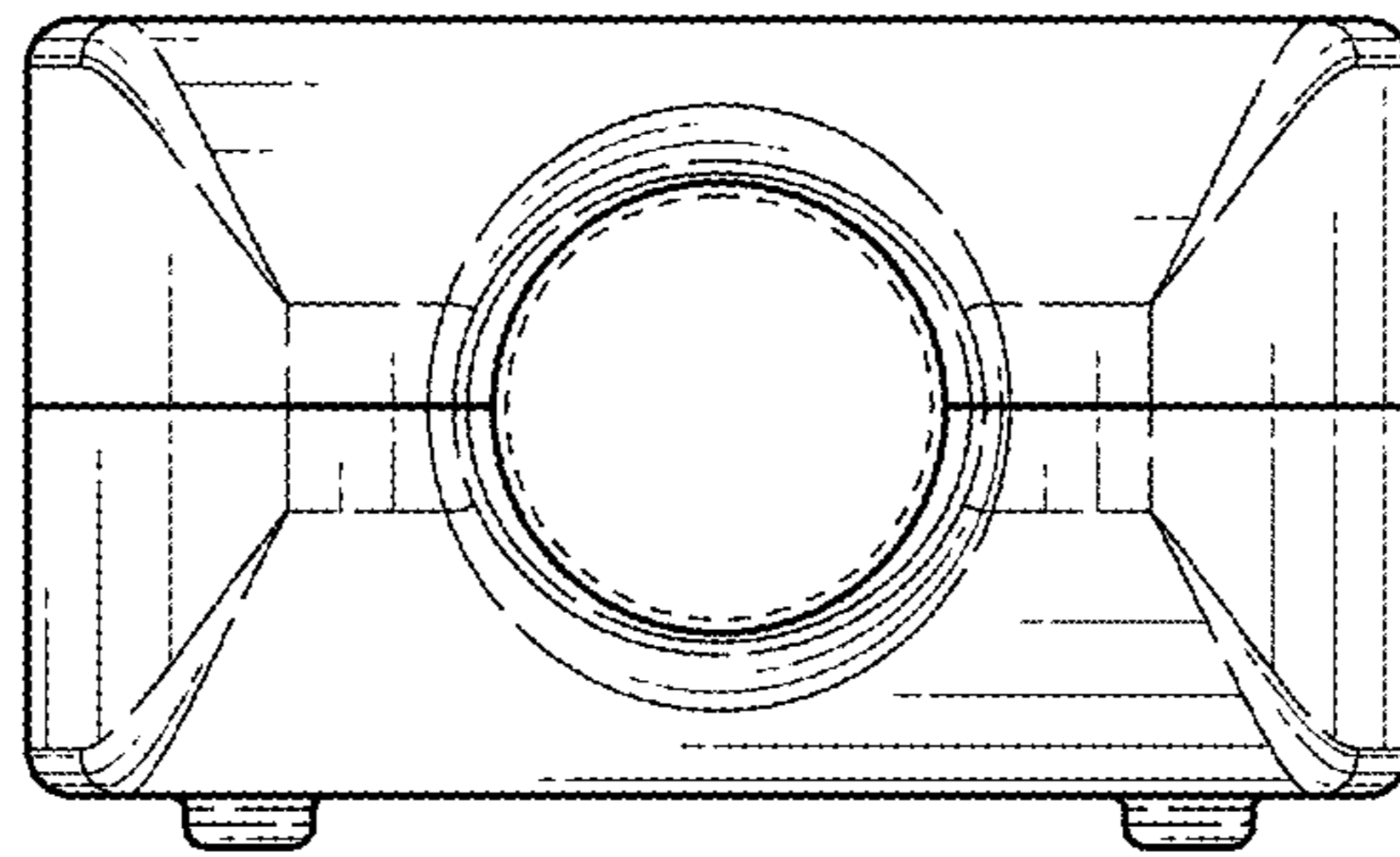


FIG. 6

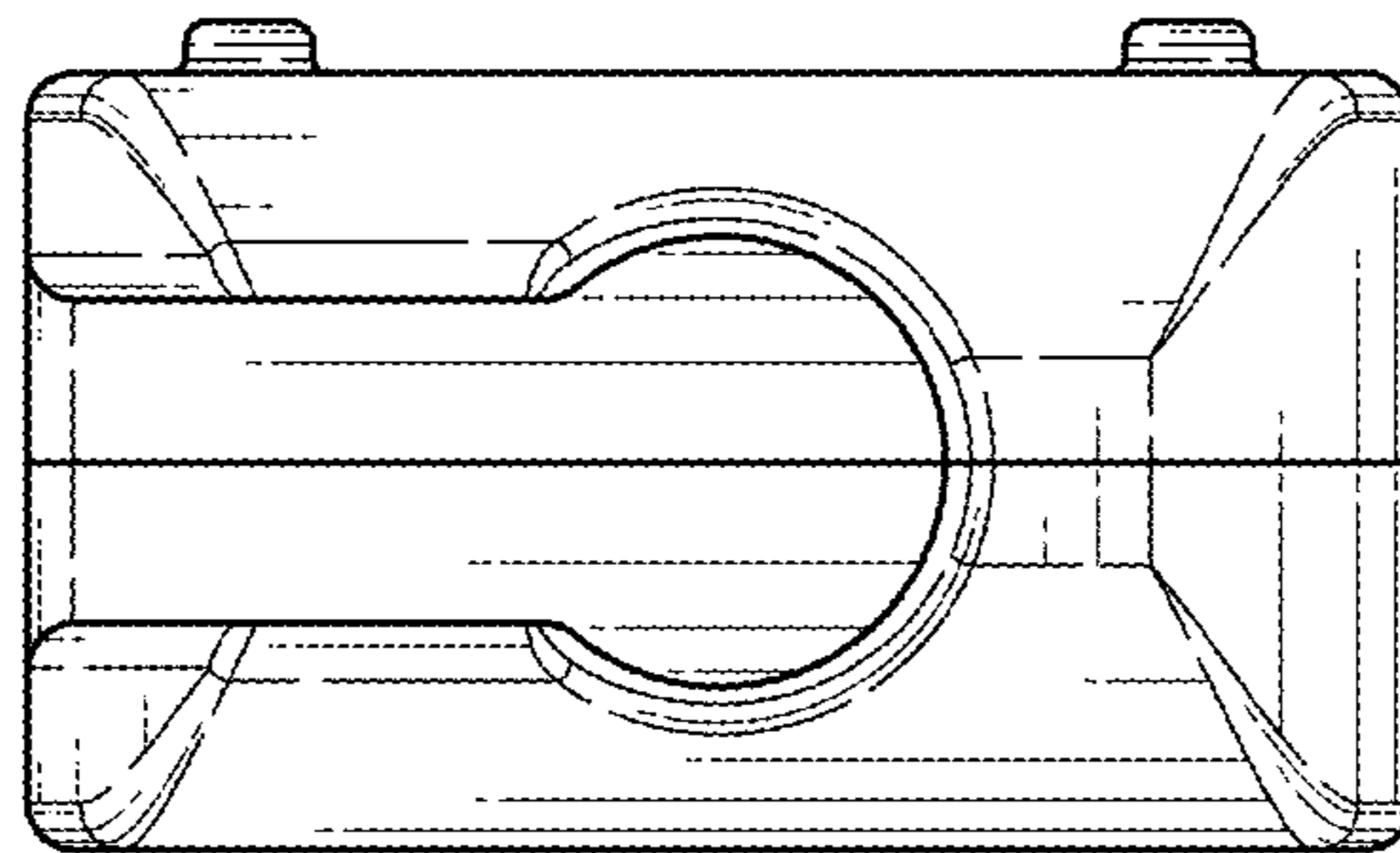


FIG. 7