

US00D962750S

(12) **United States Design Patent** (10) **Patent No.:** **US D962,750 S**  
**Wedding et al.** (45) **Date of Patent:** **\*\* Sep. 6, 2022**

- (54) **CABLE HANGER**
- (71) Applicant: **Cambria County Association for the Blind & Handicapped**, Johnstown, PA (US)
- (72) Inventors: **Timothy Joseph Wedding**, Johnstown, PA (US); **Paul Edward Martin**, Johnstown, PA (US)
- (73) Assignee: **Cambria County Association for the Blind and Handicapped**, Johnstown, PA (US)
- (\*\*) Term: **15 Years**
- (21) Appl. No.: **29/804,366**
- (22) Filed: **Aug. 19, 2021**

D283,787 S *	5/1986	Chap	.....	D8/370
4,714,221 A *	12/1987	Cawrey	.....	A47F 5/0823
				248/220.42
4,979,712 A *	12/1990	Rios	.....	A47K 10/04
				D8/395
5,176,302 A *	1/1993	Smith	.....	B44D 3/14
				224/678
D373,072 S *	8/1996	Durante	.....	D8/367
D404,127 S *	1/1999	Lammers	.....	D24/141
5,996,955 A *	12/1999	Chen	.....	A47B 47/005
				248/65
D422,888 S *	4/2000	Outten	.....	D8/367
D458,116 S *	6/2002	Roethler	.....	D8/367
D489,963 S *	5/2004	Mazooji et al.	.....	D8/370
D499,956 S *	12/2004	Wall	.....	D8/370
D504,934 S *	5/2005	Amburgey	.....	D22/149
D532,074 S *	11/2006	Travis, Sr.	.....	D22/149
D546,147 S *	7/2007	Cullen	.....	D8/16
D552,980 S *	10/2007	Svedberg	.....	D8/395
D554,980 S *	11/2007	Mihelis	.....	D8/356

(Continued)

**Related U.S. Application Data**

- (63) Continuation of application No. 29/780,259, filed on Apr. 23, 2021, now Pat. No. Des. 930,461, which is a continuation of application No. 29/717,780, filed on Dec. 19, 2019, now Pat. No. Des. 919,418.
- (51) **LOC (13) Cl.** ..... **08-11**
- (52) **U.S. Cl.**  
USPC ..... **D8/367**
- (58) **Field of Classification Search**  
USPC ..... D8/367, 395, 354, 349; D12/162;  
224/248, 268, 904  
CPC ... A47G 29/083; F16B 45/00; A63B 21/0557;  
B60P 7/0823  
See application file for complete search history.

**References Cited**

**U.S. PATENT DOCUMENTS**

- D263,021 S \* 2/1982 Siegfried ..... D11/5
- D281,950 S \* 12/1985 Sachs ..... D8/370

*Primary Examiner* — Cynthia R Underwood

(74) *Attorney, Agent, or Firm* — Eckert Seamans Cherin & Mellott, LLC

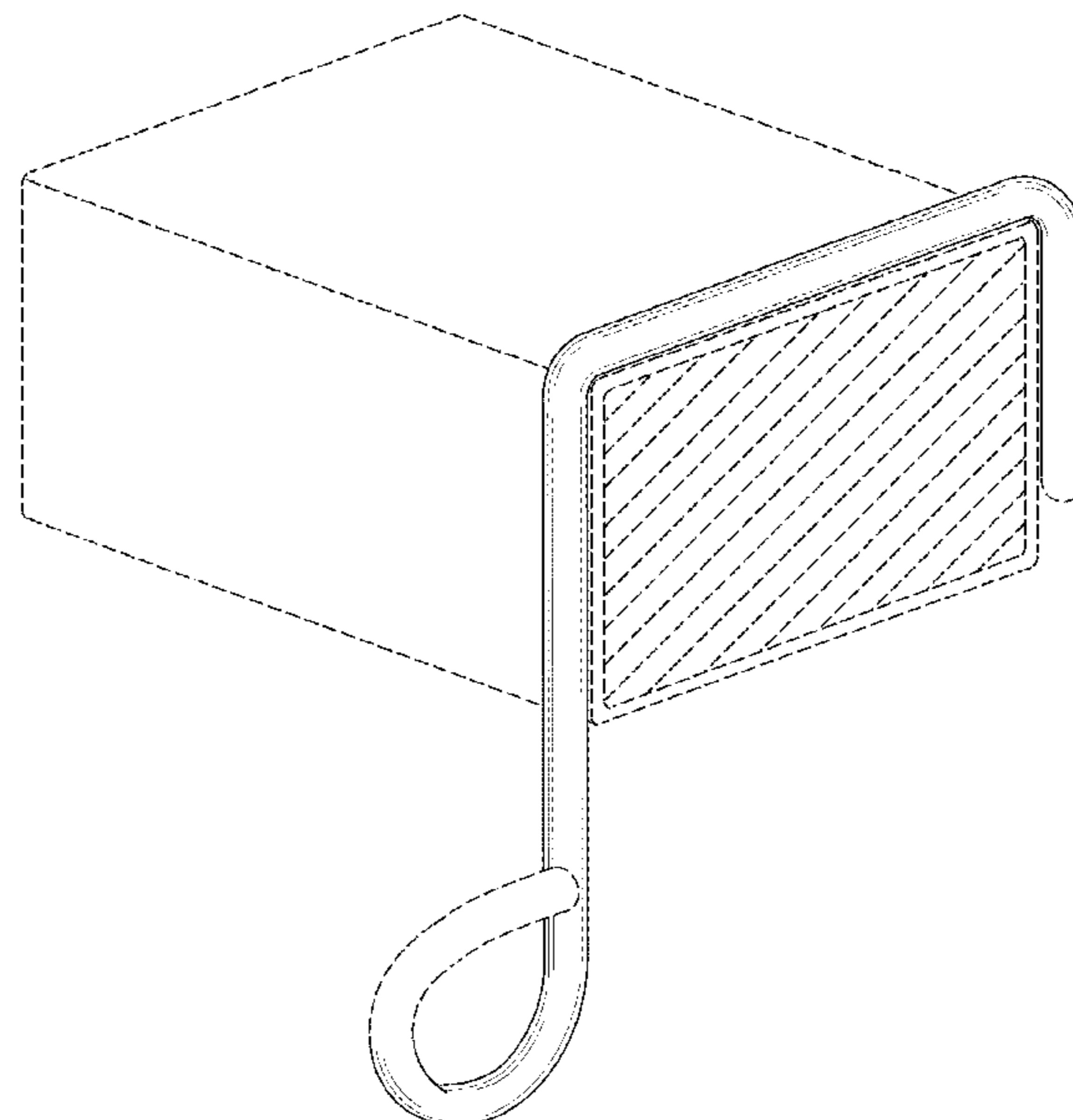
(57) **CLAIM**

The ornamental design for a cable hanger, as shown and described.

**DESCRIPTION**

FIG. 1 is an first isometric view of the cable hanger;  
 FIG. 2 is a second isometric view of the cable hanger;  
 FIG. 3 is a top view of the cable hanger;  
 FIG. 4 is a bottom view of the cable hanger;  
 FIG. 5 is a left view of the cable hanger;  
 FIG. 6 is a right view of the cable hanger;  
 FIG. 7 is a back view of the cable hanger; and,  
 FIG. 8 is a front view of the cable hanger.  
 The broken lines in the drawings depict environmental subject matter only and form no part of the claimed design.

**1 Claim, 6 Drawing Sheets**



(56)

References Cited

U.S. PATENT DOCUMENTS

D566,538 S \* 4/2008 Wrase ..... D8/395  
 D585,266 S \* 1/2009 Meyers ..... D8/370  
 7,494,095 B2 \* 2/2009 Walker et al. .... 248/48.2  
 D587,470 S \* 3/2009 Croisdale ..... D6/317  
 D599,646 S \* 9/2009 Meyers ..... D8/370  
 D600,102 S \* 9/2009 Larkin ..... D8/370  
 7,677,504 B2 \* 3/2010 Hutchinson ..... E04D 13/076  
 248/48.2  
 7,757,996 B2 \* 7/2010 Jacobs ..... 248/64  
 7,823,852 B1 \* 11/2010 Reno ..... 248/302  
 D629,291 S \* 12/2010 Veilleux ..... D8/370  
 D631,332 S \* 1/2011 Bauer et al. .... D8/367  
 D632,952 S \* 2/2011 Dablemont ..... D8/367  
 D644,088 S \* 8/2011 Gallaty ..... D8/354  
 D648,208 S \* 11/2011 Platt ..... D8/367  
 8,162,361 B2 \* 4/2012 Biddington ..... F24B 15/002  
 294/14  
 D661,574 S \* 6/2012 Platt ..... D8/367  
 D668,938 S \* 10/2012 Morales ..... D8/367  
 D672,227 S \* 12/2012 Hendricks ..... D8/394

D673,031 S \* 12/2012 Hendricks ..... D8/394  
 D679,095 S \* 4/2013 Williams ..... D3/328  
 D687,291 S \* 8/2013 Hendricks ..... D8/394  
 D698,105 S \* 1/2014 Huster ..... D30/199  
 D699,556 S \* 2/2014 Hendricks ..... D8/394  
 D725,045 S \* 3/2015 Nonen ..... D13/154  
 D753,984 S \* 4/2016 Combs ..... D8/354  
 D801,157 S \* 10/2017 Turbenson ..... D8/367  
 D801,158 S \* 10/2017 Turbenson ..... D8/367  
 D801,159 S \* 10/2017 Turbenson ..... D8/367  
 D865,497 S \* 11/2019 Williamson ..... D8/367  
 D874,906 S \* 2/2020 Ruddick ..... D8/356  
 10,869,569 B2 \* 12/2020 Lehtonen ..... A45C 13/002  
 D919,417 S \* 5/2021 Wedding ..... D8/367  
 D922,182 S \* 6/2021 Wedding ..... D8/367  
 D931,766 S \* 9/2021 Robinson ..... D12/162  
 D942,253 S \* 2/2022 Wedding ..... D8/370  
 D949,112 S \* 4/2022 Wedding ..... D8/367  
 2002/0000504 A1 \* 1/2002 Bayne ..... F21S 4/10  
 248/302  
 2016/0153587 A1 \* 6/2016 Smith ..... H02G 3/30  
 29/515

\* cited by examiner

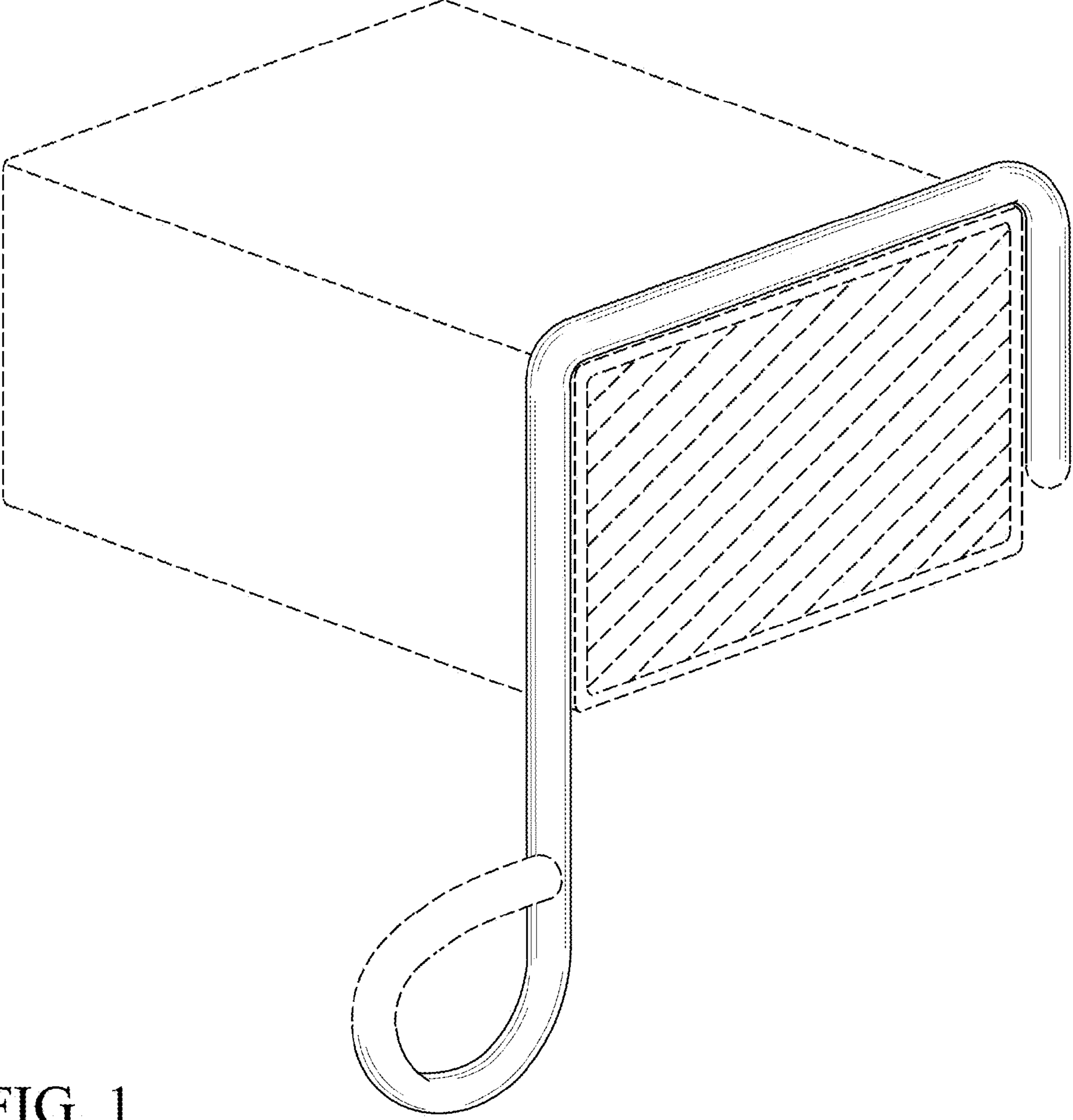


FIG. 1

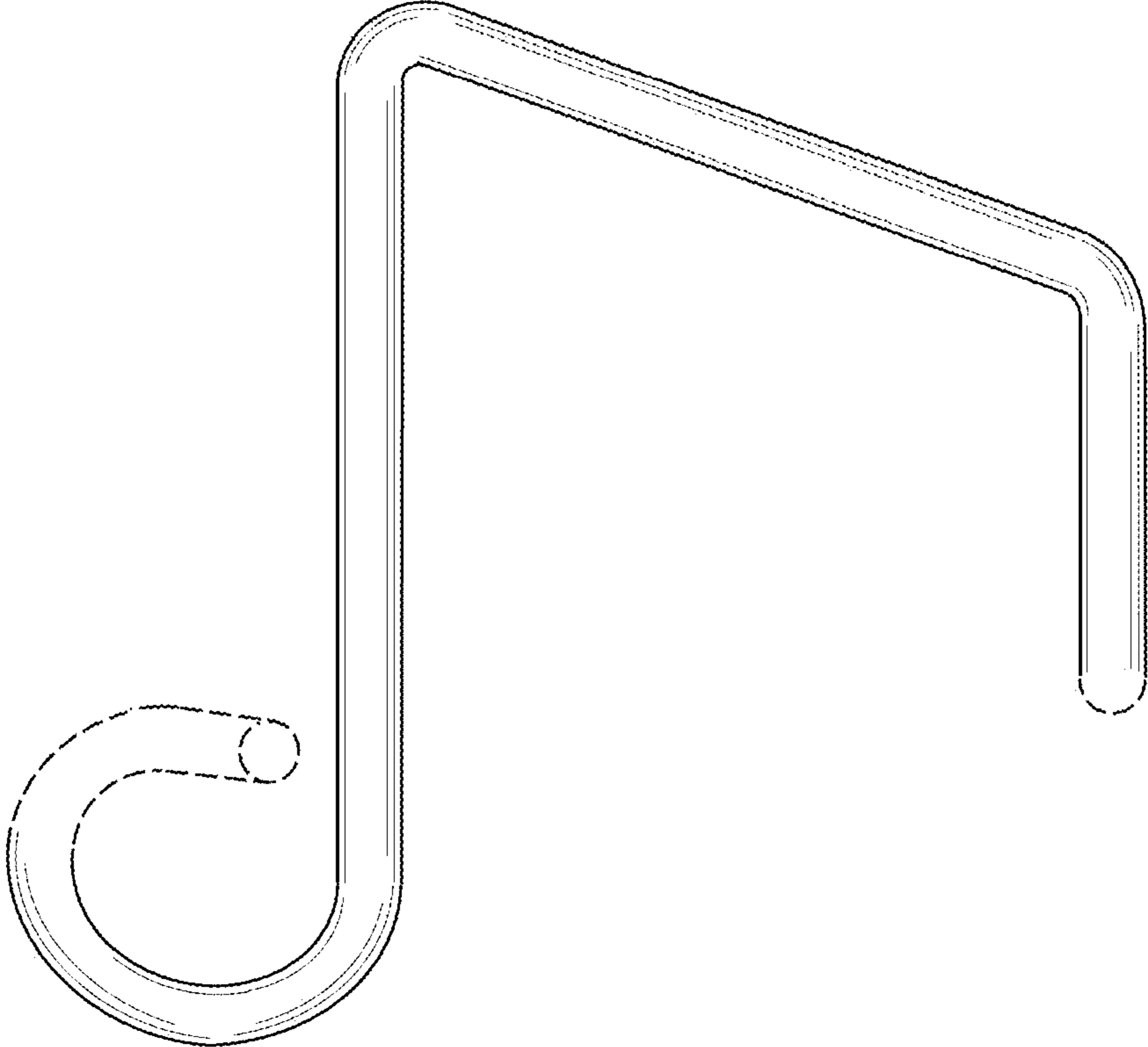


FIG. 2

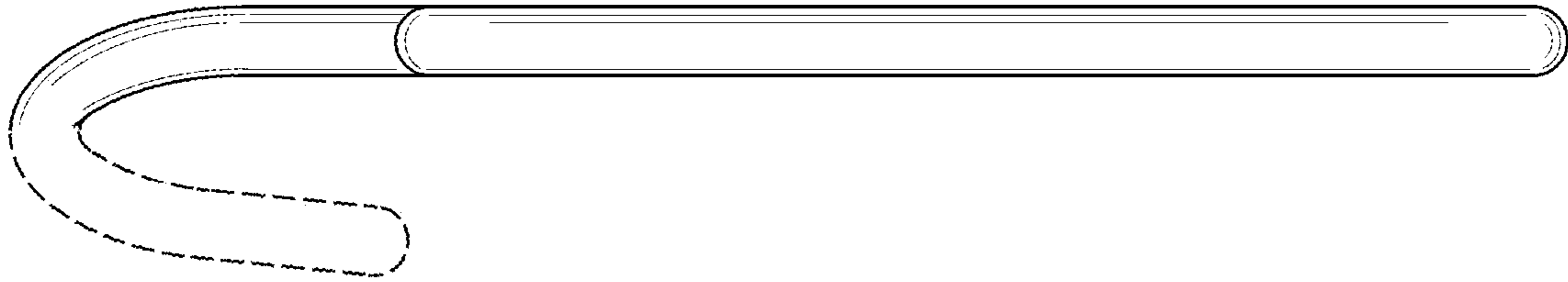


FIG. 3



FIG. 4

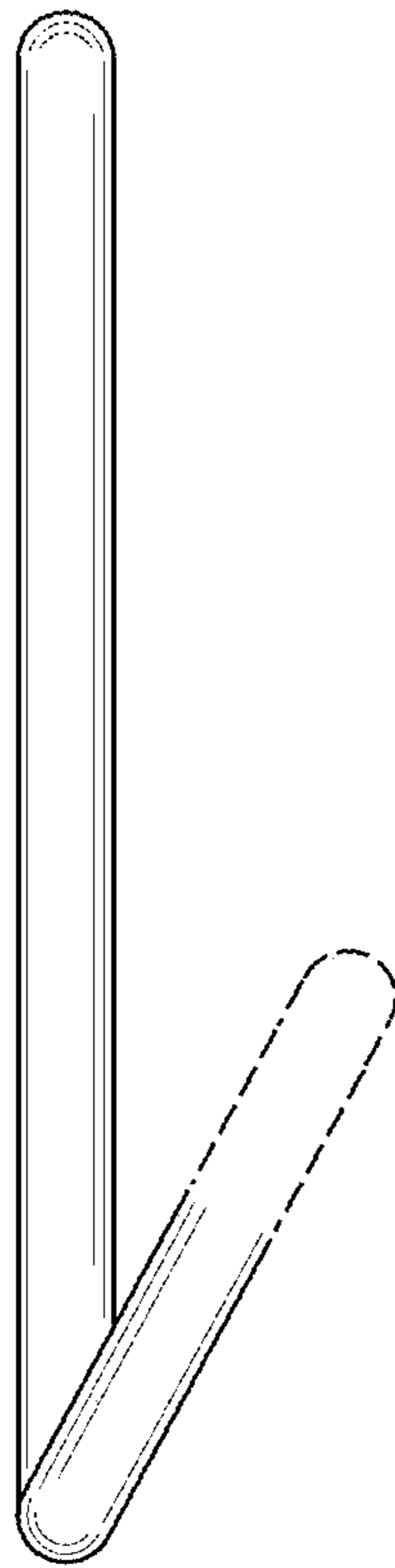


FIG. 5

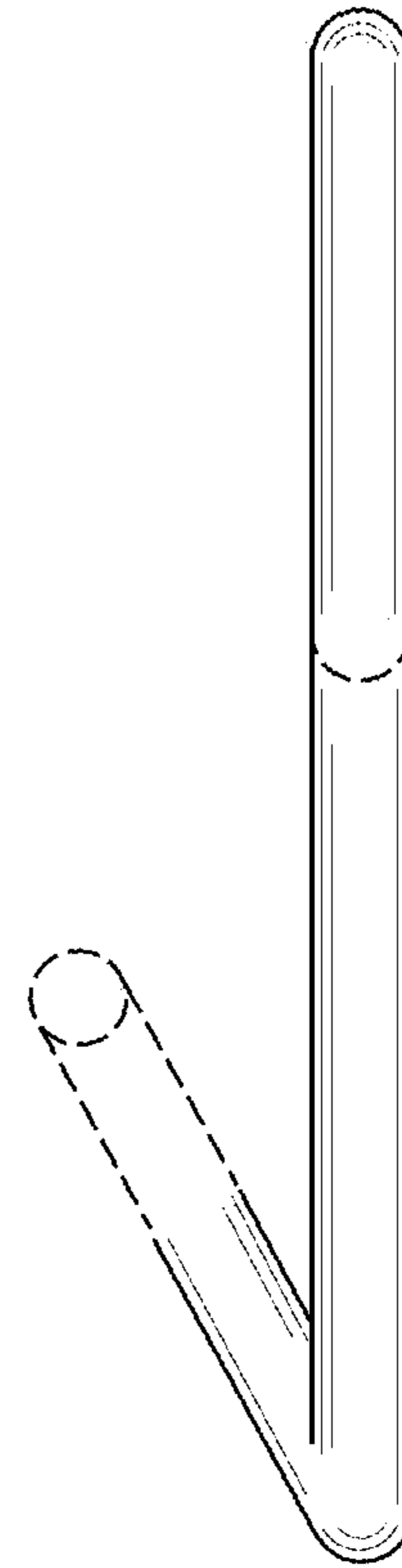


FIG. 6

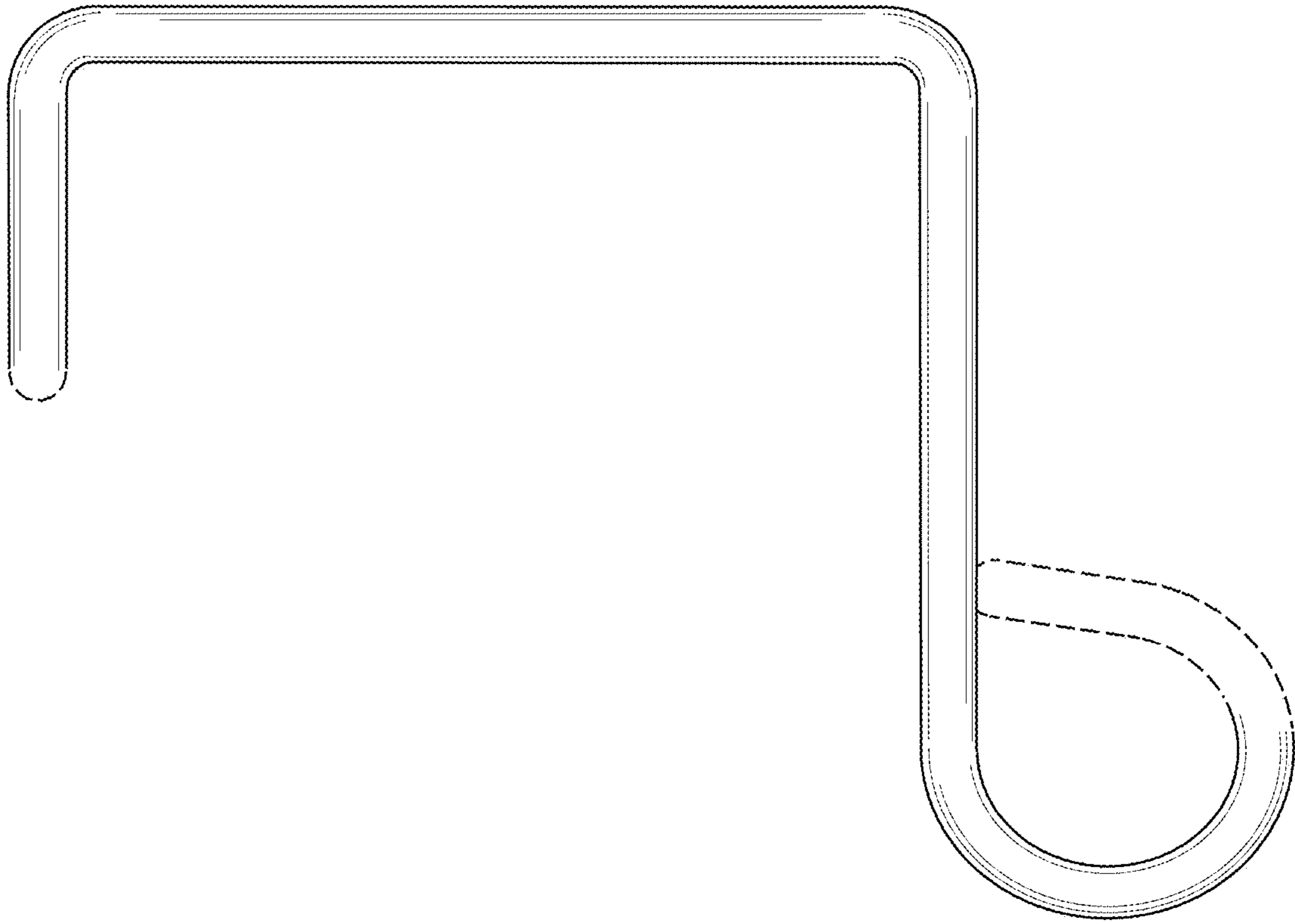


FIG. 7

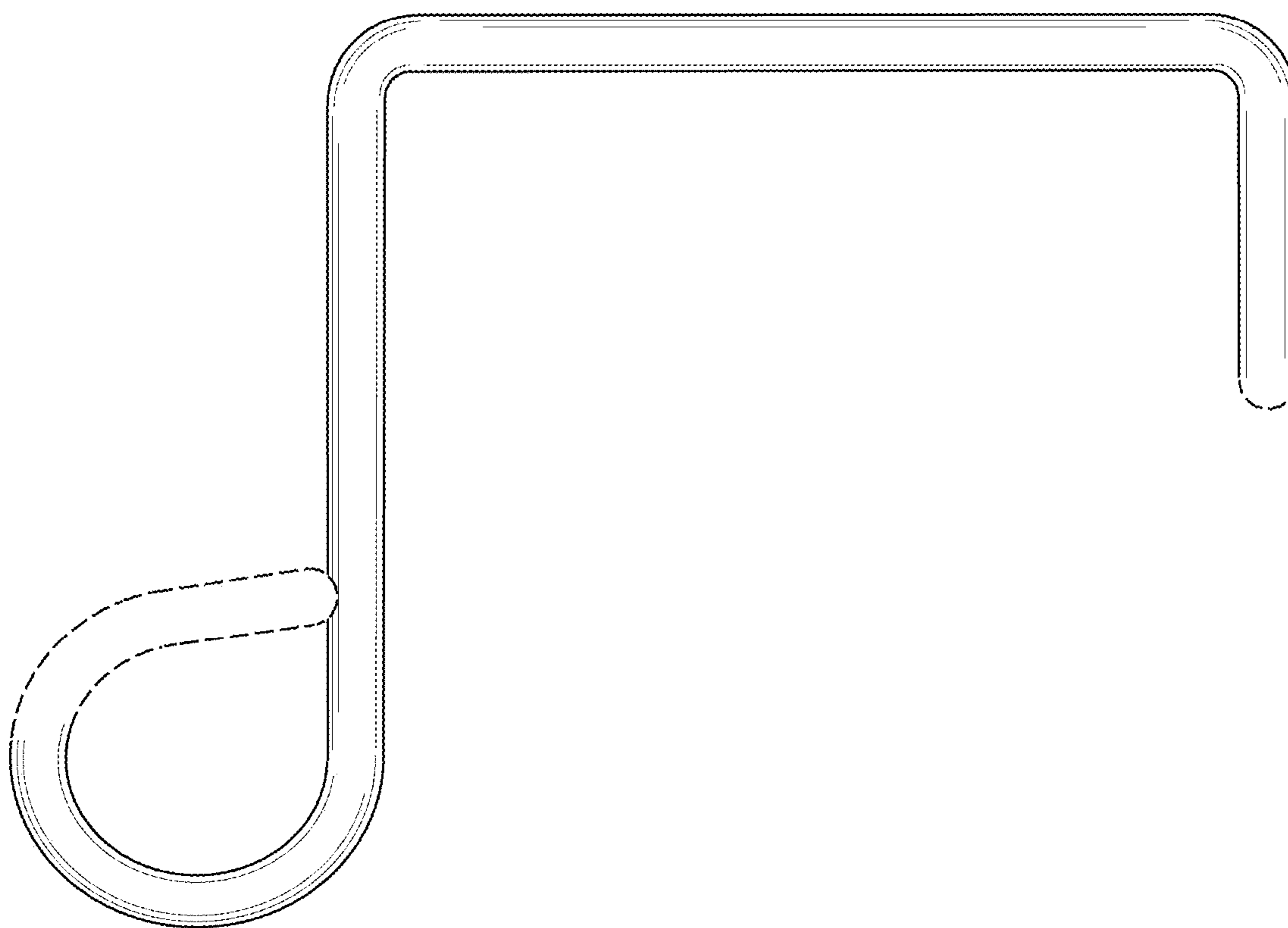


FIG. 8