



US00D962749S

(12) **United States Design Patent** (10) **Patent No.:** **US D962,749 S**
Hu (45) **Date of Patent:** **** Sep. 6, 2022**

(54) **ROTATABLE BRACKET LOCK**
(71) Applicant: **Hebei Minmetals Co., Ltd.,**
Shijiazhuang (CN)
(72) Inventor: **Kebiao Hu,** Shijiazhuang (CN)
(73) Assignee: **HEBEI MINMETALS CO., LTD.,**
Shijiazhuang (CN)
(**) Term: **15 Years**
(21) Appl. No.: **29/745,335**
(22) Filed: **Aug. 5, 2020**
(51) **LOC (13) Cl.** **08-05**
(52) **U.S. Cl.**
USPC **D8/355**
(58) **Field of Classification Search**
USPC D12/42-43; D14/230, 238, 299, 358;
D34/28, 35; D8/349, 354-355, 367, 370,
D8/382, 373, 396, 394, 51, 71-73
CPC .. B67D 7/50; B67D 7/421; E04C 5/18; E04C
5/168; E04C 5/20; E04C 2/044; E04C
2/288; E04C 2/384; E04C 2002/047;
E04C 2003/026; E04C 2003/0421; E04C
3/02; E04C 5/02; E04C 5/03; E04C 5/16;
E04C 5/163; E04C 5/201; E04C 5/203;
F16M 13/02; F16M 11/041; F16M
13/022; F16M 11/10; F16M 2200/022;
F16M 11/00; F16M 11/06; F16M 11/14;
F16M 11/2078; F16M 2200/024; B65G
7/12; B65G 19/265; B65G 69/287; B65G
69/2888; F16G 11/12; F16G 11/14; F16G
11/046; F16G 11/106; F16G 11/10; F16G
11/143; F16G 11/00; F16G 11/04; F16G
11/101; F16G 15/06; F16G 5/16; F16G
9/00; B60G 2200/46; B60G 2206/50;
B60G 2200/4622; B60G 2204/4402;
B60G 13/006; B60G 2202/312; B60G
2204/129; B60G 2204/4304; B60G
2204/61; F16B 7/04; F16B 2/12; F16B
45/02; F16B 7/0486; F16B 2/065; F16B
2/08; F16B 2/10; F16B 2/14; F16B

2/245; F16B 37/04; F16B 43/005; F16B
43/007; F16B 47/00; F16B 5/0621; F16B
7/0433; F16B 7/0493; F16B 11/006;
F16B 15/00; F16B 19/1081; F16B
19/109; F16B 2/005; F16B 2/04; F16B
2/06; F16B 2/185; F16B 21/02; F16B
21/071; F16B 21/073; F16B 21/186;
F16B 21/20; F16B 2200/20; F16B
2200/30; F16B 2200/503; F16B
2200/509; F16B 25/0015; F16B 25/0031;
F16B 25/0047; F16B 3/04; F16B 33/002;
F16B 35/048; F16B 37/043; F16B
37/044; F16B 43/02; F16B 47/006; F16B
5/0068; F16B 5/0607; F16B 5/0614;
F16B 5/0642; F16B 5/121; F16B 3/221;
F16B 3/24; F16B

(Continued)

(56) **References Cited**

U.S. PATENT DOCUMENTS

D246,585 S * 12/1977 Parduhn D14/238
D269,945 S * 8/1983 Carney D8/355

(Continued)

Primary Examiner — Karen S Acker
Assistant Examiner — Elizabeth S Ko
(74) *Attorney, Agent, or Firm* — Parker Poe Adams &
Bernstein, LLP

(57) **CLAIM**

The ornamental design for a rotatable bracket lock, as shown
and described.

DESCRIPTION

FIG. 1 is a perspective view of the present invention;
FIG. 2 is a front side elevation view thereof;
FIG. 3 is a back side elevation view thereof;
FIG. 4 is a right side elevation view thereof;

(Continued)

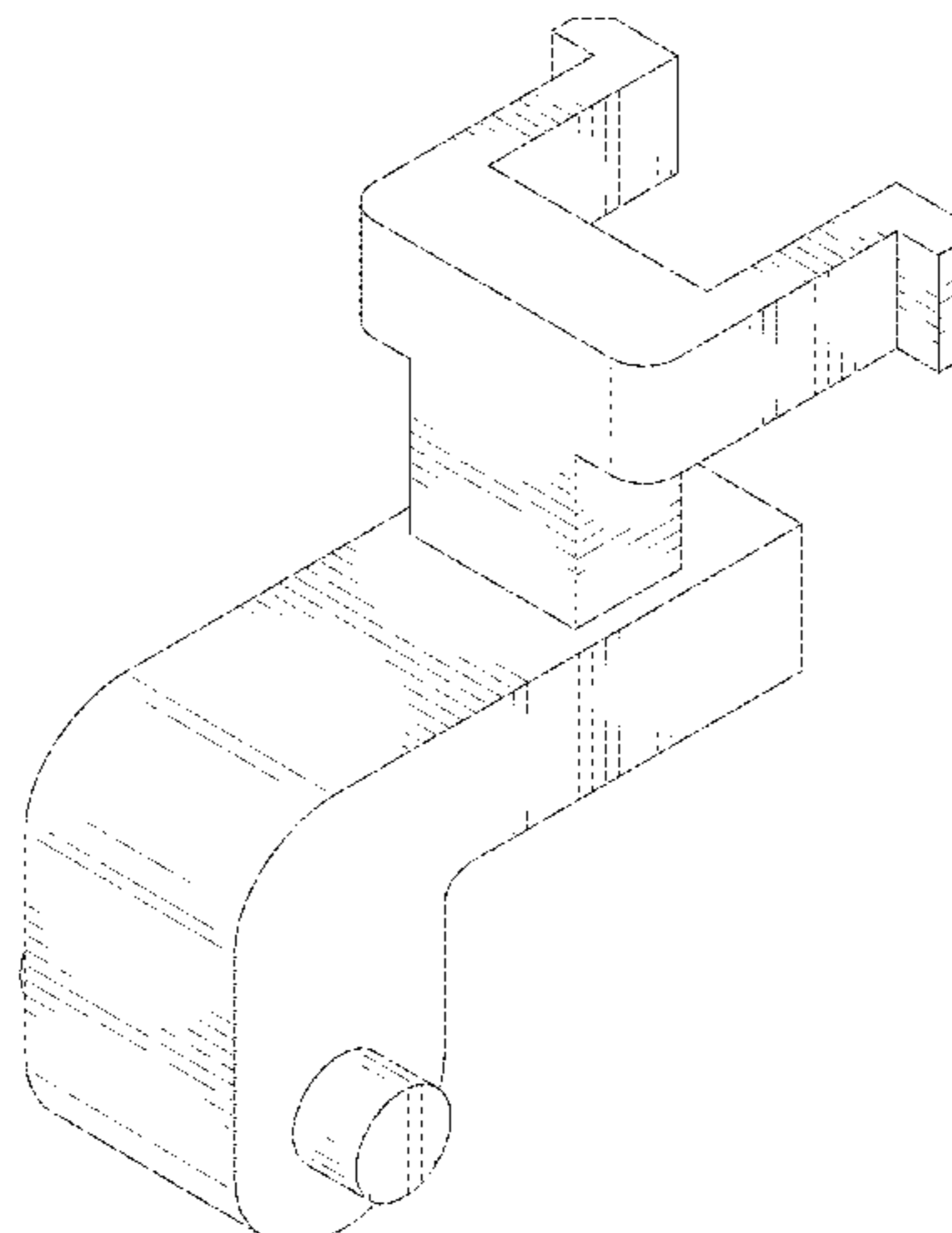


FIG. 5 is a left side elevation view thereof;
 FIG. 6 is a top plan view thereof; and,
 FIG. 7 is a bottom plan view thereof.

1 Claim, 7 Drawing Sheets

(58) **Field of Classification Search**

CPC 3/243; E01B 2203/025; E02B 2017/0078;
 E02B 9/32; E02B 9/28; E02F 2250/0053;
 E04F 21/1872; A47G 1/1646; A47G
 7/0503; A61M 5/1415

See application file for complete search history.

(56) **References Cited**

U.S. PATENT DOCUMENTS

D273,932 S * 5/1984 Gates D8/330
 4,722,648 A 2/1988 Camelleri
 D331,529 S * 12/1992 Reinklou D8/355
 D332,789 S * 1/1993 Rak D8/355
 D337,934 S * 8/1993 Young D8/355
 D368,647 S * 4/1996 Koebbe D8/355
 5,515,893 A * 5/1996 Donohue B67D 7/421
 141/98
 6,123,303 A 9/2000 Huang
 D433,616 S * 11/2000 Fischer D8/355
 D454,479 S * 3/2002 Kolpin D8/355
 6,402,108 B1 6/2002 Remmers
 D464,250 S * 10/2002 Warner D8/355
 D470,400 S * 2/2003 Fraser D8/396

7,055,786 B2 6/2006 Garassino
 D533,053 S * 12/2006 Brassard D14/434
 7,188,740 B2 3/2007 Marchetta
 7,240,803 B2 7/2007 Stitchick
 D561,008 S * 2/2008 Jones D8/355
 D569,232 S * 5/2008 Yoshida D8/355
 D569,544 S * 5/2008 Aubrey D26/138
 7,392,911 B2 7/2008 Stitchick
 D588,903 S * 3/2009 Carnevali D8/355
 D589,780 S 4/2009 Fernandez
 7,640,244 B1 6/2009 Gregory
 8,020,816 B2 * 9/2011 Laitila F16M 13/00
 248/125.7
 D701,260 S * 3/2014 Burton D16/242
 D806,522 S * 1/2018 Hsu D8/355
 D811,856 S * 3/2018 Richter D8/355
 D860,628 S * 9/2019 Hu D3/10
 D863,051 S * 10/2019 Bancroft D23/262
 D863,052 S * 10/2019 Bancroft D23/262
 D878,184 S * 3/2020 Holloway D8/394
 D901,284 S * 11/2020 Chorley D8/394
 D902,022 S * 11/2020 Orikawa D8/394
 D911,158 S * 2/2021 Jenkins D8/382
 D911,160 S * 2/2021 DeArmond D8/394
 D918,188 S * 5/2021 Liu D14/238
 D918,703 S * 5/2021 Liu D8/356
 D933,467 S * 10/2021 Von Fange D8/396
 D938,270 S * 12/2021 Hall D8/394
 D940,523 S * 1/2022 Nana D8/73
 2005/0011568 A1 1/2005 Kagenow
 2005/0284828 A1 12/2005 Remmers
 2006/0175495 A1 8/2006 Gregory
 2011/0192948 A1 8/2011 Chen
 2016/0320034 A1 11/2016 Wessel

* cited by examiner

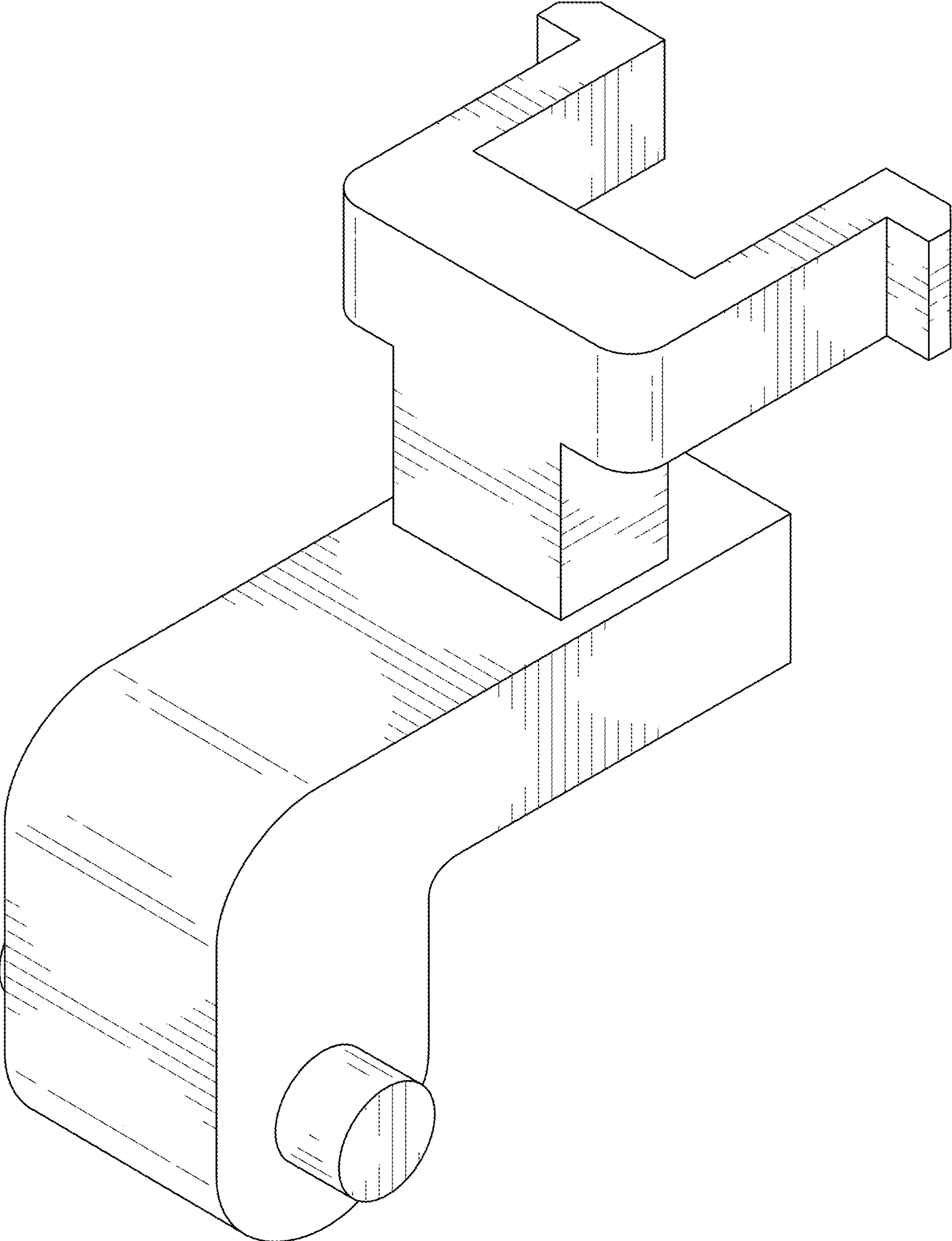


FIG. 1

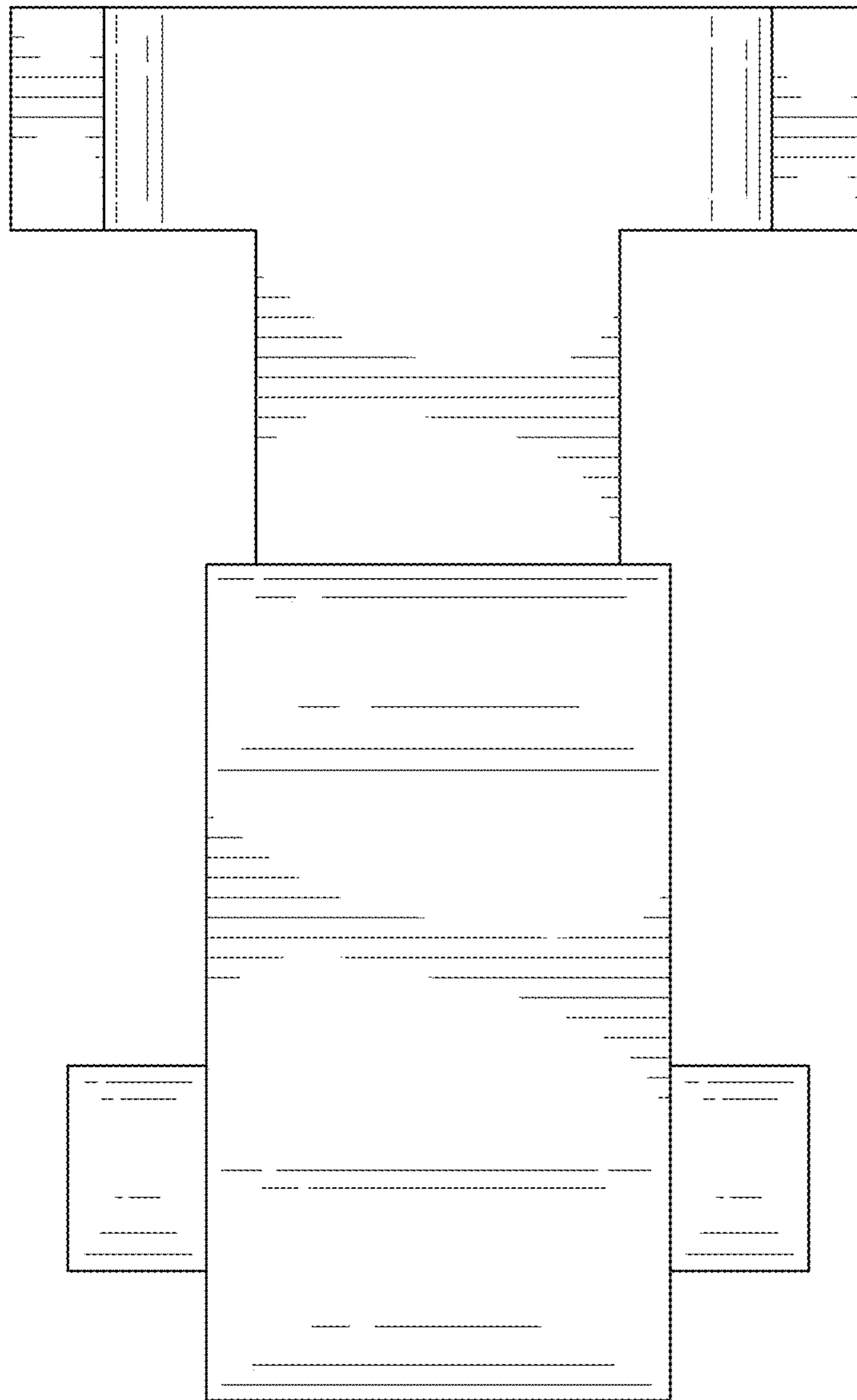


FIG. 2

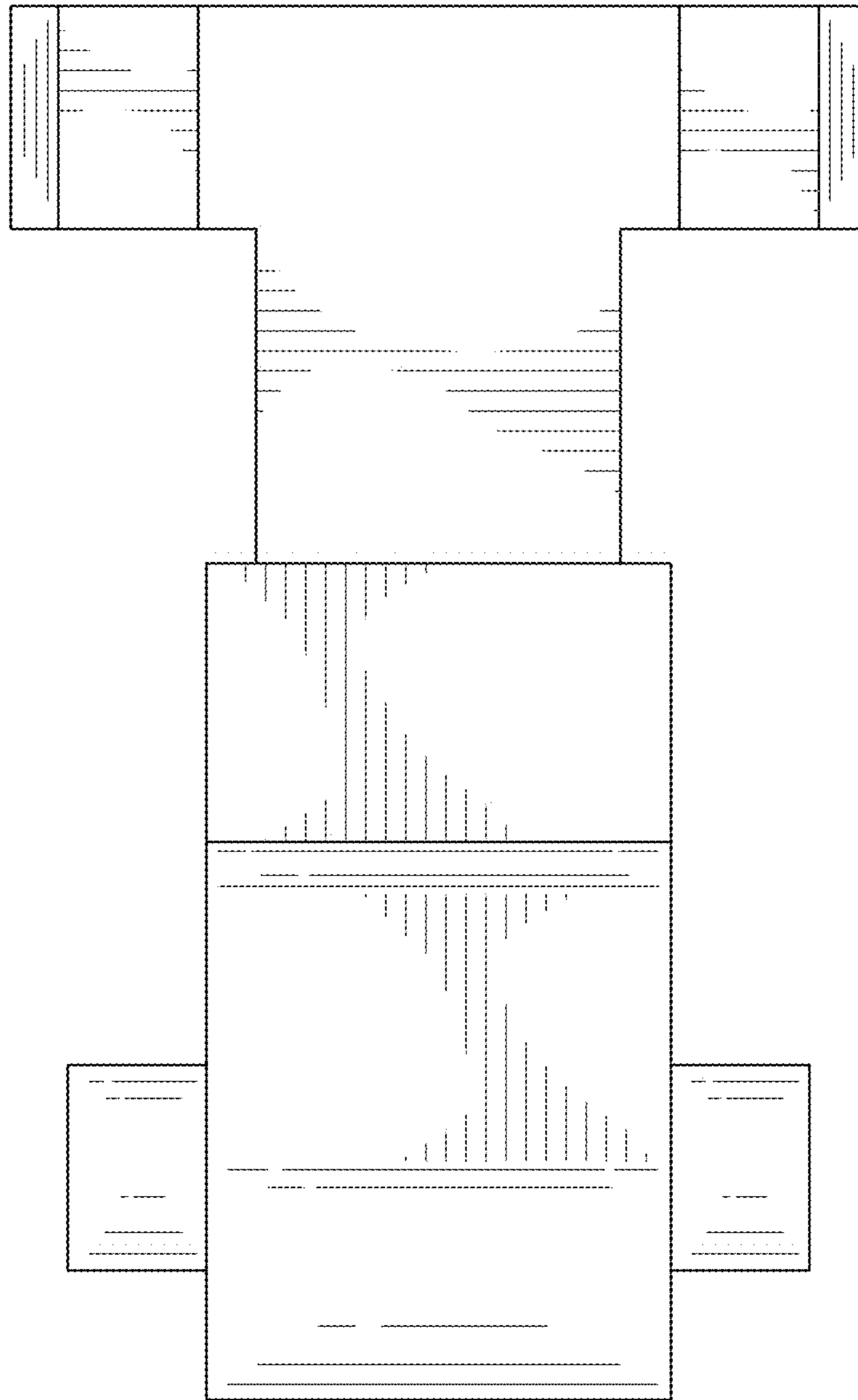


FIG. 3

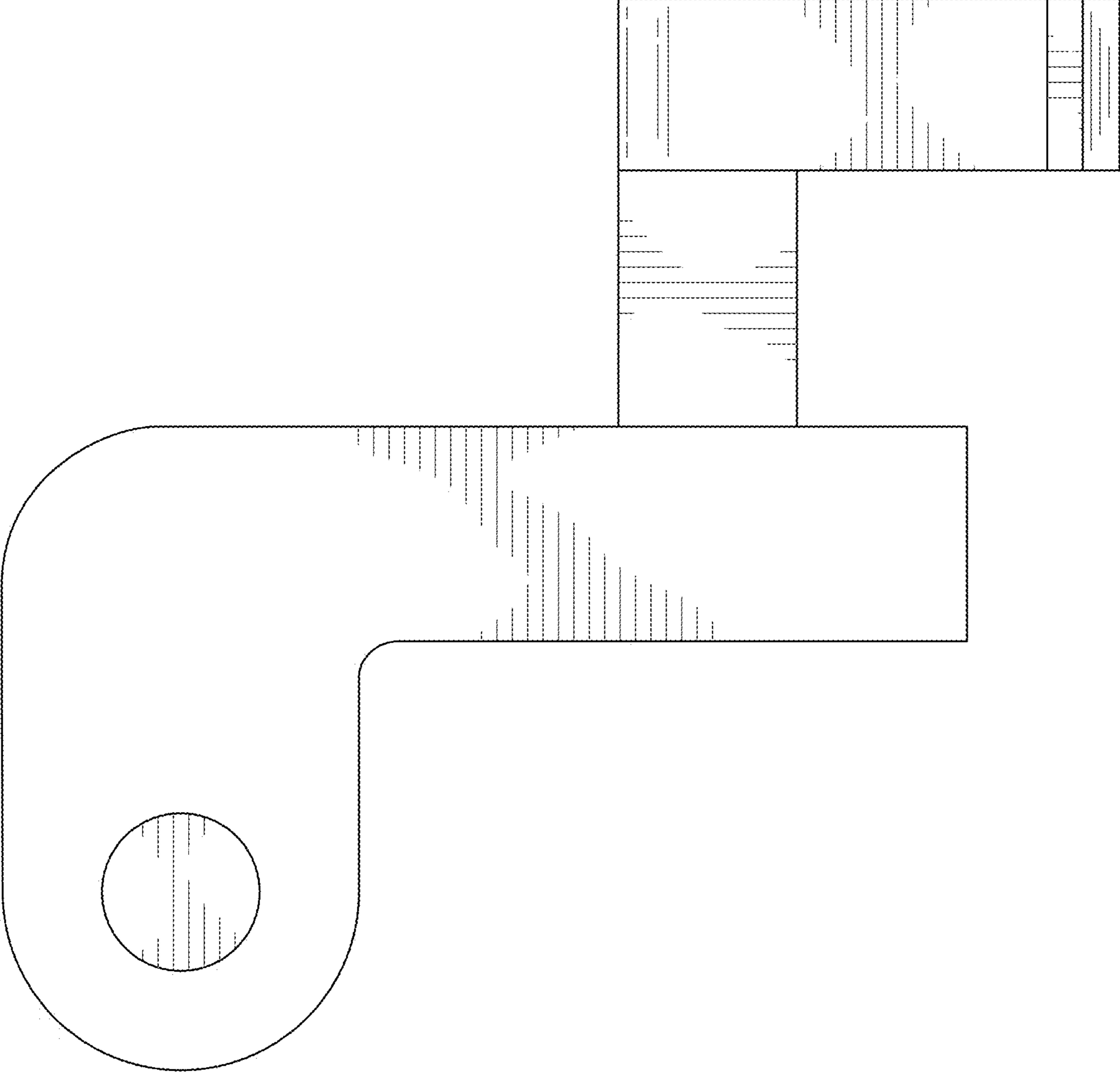


FIG. 4

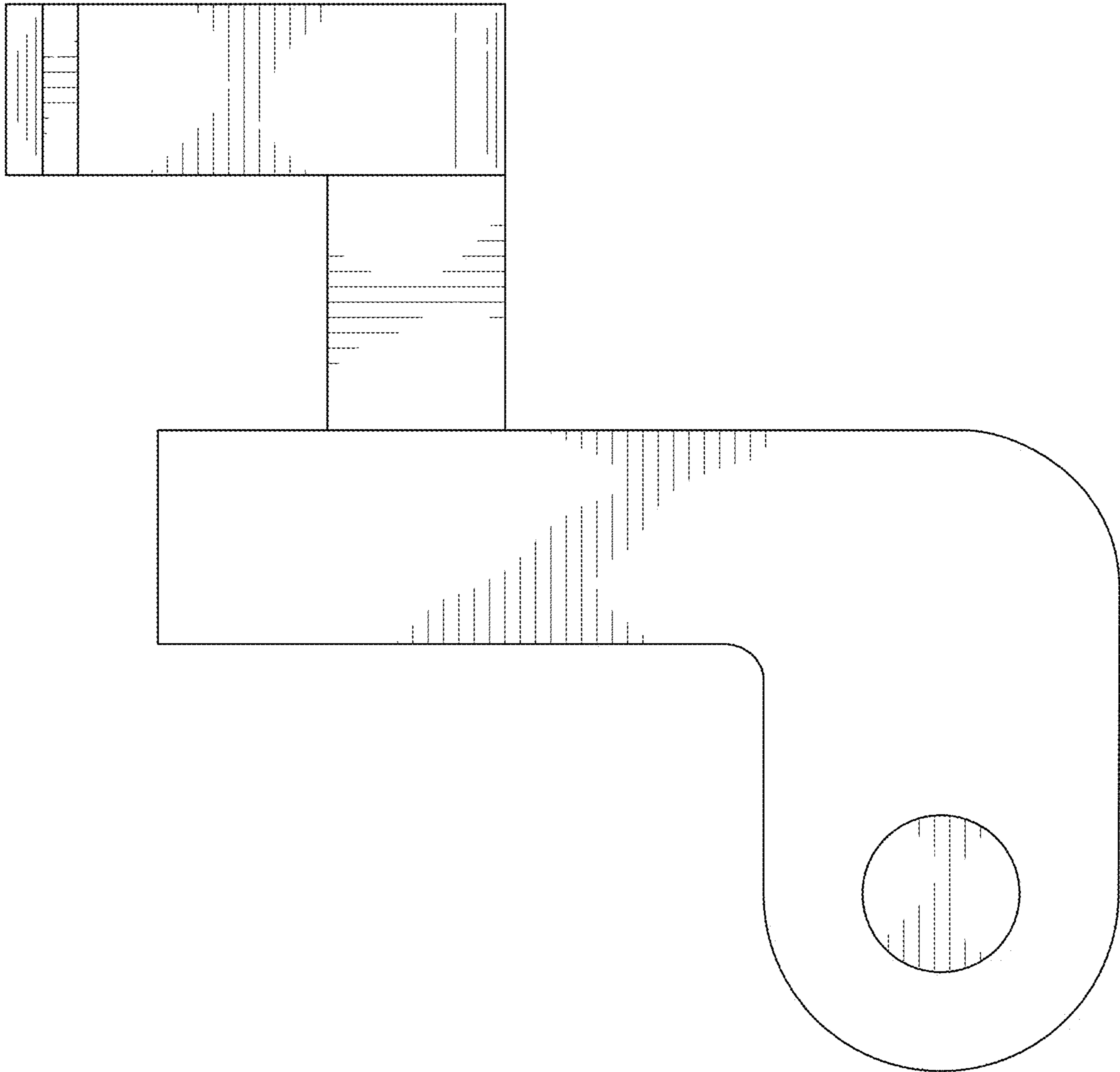


FIG. 5

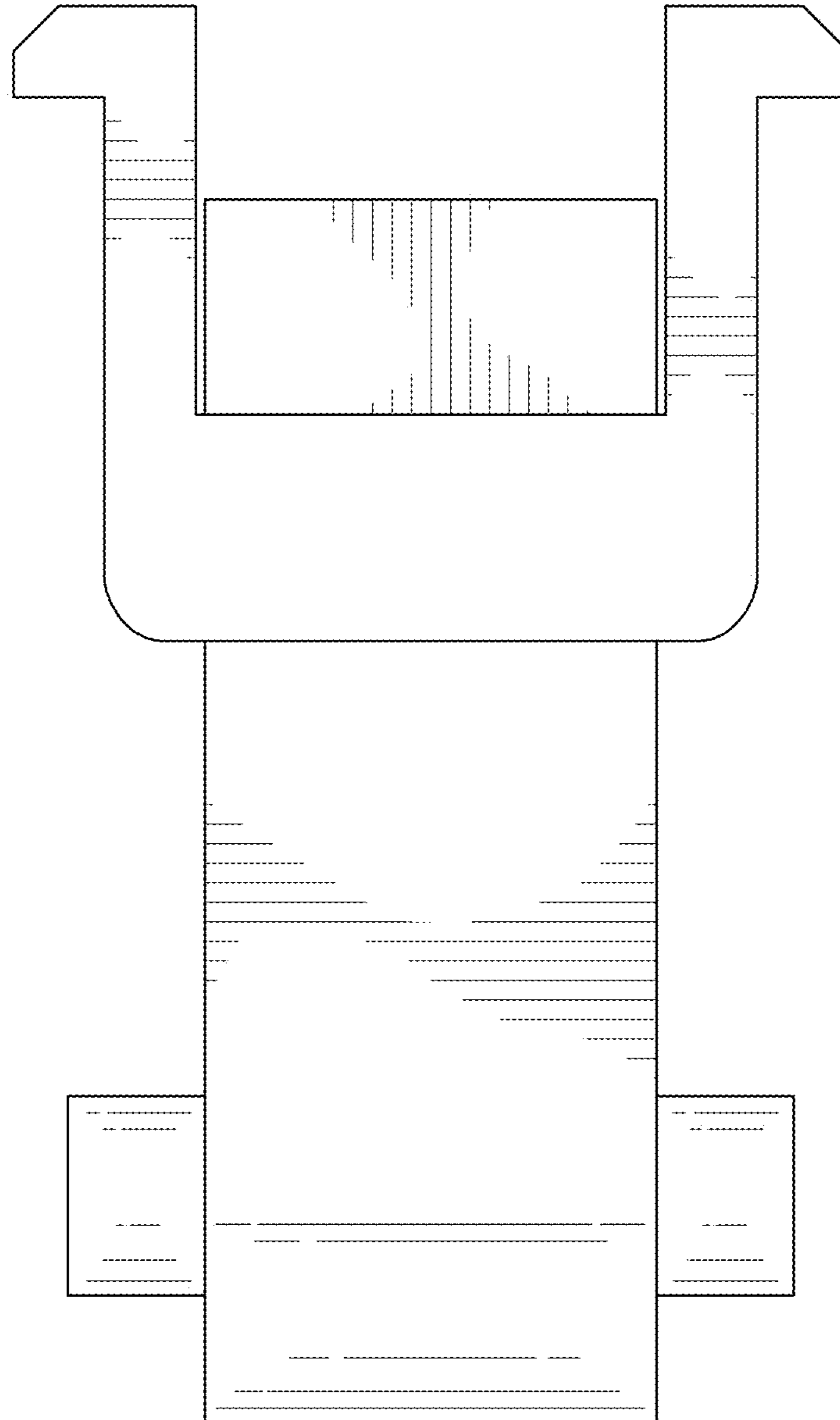


FIG. 6

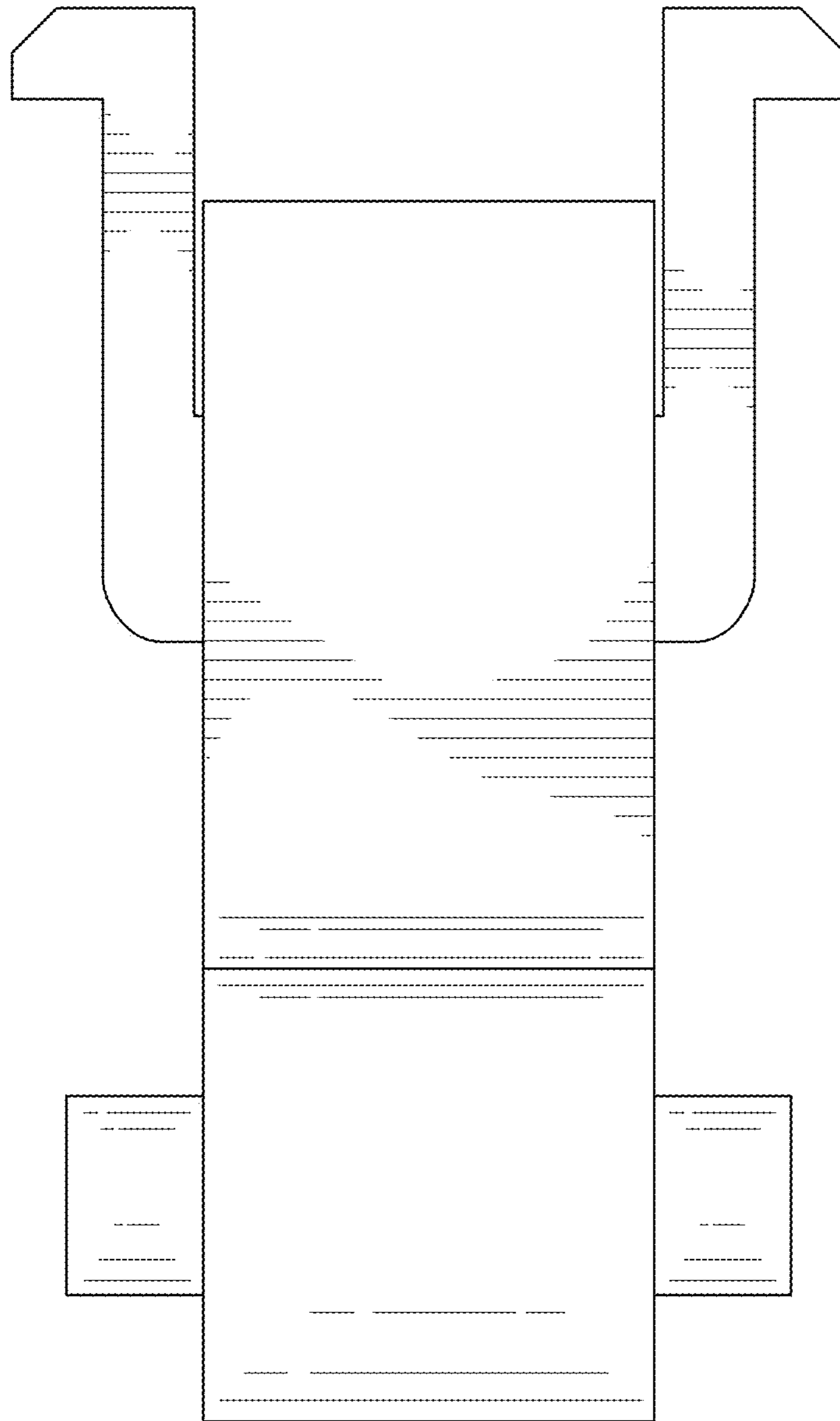


FIG. 7