

US00D962748S

(12) **United States Design Patent**  
**Fu**

(10) **Patent No.:** **US D962,748 S**  
(45) **Date of Patent:** **\*\* Sep. 6, 2022**

(54) **HOLE LOCATOR**

(71) Applicant: **JINHUA HAIHUA DAILY NECESSITIES FACTORY**, Jinhua (CN)

(72) Inventor: **Hongxing Fu**, Jinhua (CN)

(73) Assignee: **JINHUA HAIHUA DAILY NECESSITIES FACTORY**, Jinhua (CN)

(\*\*) Term: **15 Years**

(21) Appl. No.: **29/774,422**

(22) Filed: **Mar. 17, 2021**

(51) **LOC (13) Cl.** ..... **08-05**

(52) **U.S. Cl.**  
USPC ..... **D8/354; D10/65**

(58) **Field of Classification Search**  
USPC ..... D8/330, 333, 336, 338, 343–346, D8/300–302, 306–329, 380; D15/127, D15/128, 140; D10/61, 64, 65  
CPC ... B23B 47/287; B23B 47/28; B23B 2247/06; B23B 2260/004; E05B 17/06; E05B 69/003; E05B 71/00; E05B 73/005; E05B 17/142; Y10T 408/567; Y10T 408/563; Y10T 408/03; E04F 21/003; E04F 21/00; B62H 5/001

See application file for complete search history.

(56) **References Cited**

**U.S. PATENT DOCUMENTS**

5,947,656 A \* 9/1999 Simson ..... B23B 47/28 408/241 B  
D462,019 S \* 8/2002 Fierro ..... D10/65

6,910,837 B2 \* 6/2005 Trettin ..... B23B 47/287 408/97  
7,467,968 B1 \* 12/2008 Sink ..... H01R 11/11 439/883  
D641,268 S \* 7/2011 Le Breton ..... D10/64  
D814,901 S \* 4/2018 Anderson ..... D10/64  
10,754,373 B2 \* 8/2020 Kwak ..... G02F 1/133512  
D924,664 S \* 7/2021 Patel ..... D8/343  
2004/0134325 A1 \* 7/2004 Nordlin ..... B21D 28/343 83/689  
2012/0192444 A1 8/2012 Suarez et al.  
2017/0259351 A1 9/2017 Hsu et al.  
2018/0236567 A1 \* 8/2018 Mazer ..... B23B 49/02

\* cited by examiner

*Primary Examiner* — Keli L Hill

*Assistant Examiner* — Harold E Blackwell, II

(57) **CLAIM**

The ornamental design for a hole locator, as shown and described.

**DESCRIPTION**

FIG. 1 is a perspective view of a hole locator showing my new design;

FIG. 2 is another perspective view thereof;

FIG. 3 is a front elevational view thereof;

FIG. 4 is a rear elevational view thereof;

FIG. 5 is a left side elevational view thereof;

FIG. 6 is a right side elevational view thereof;

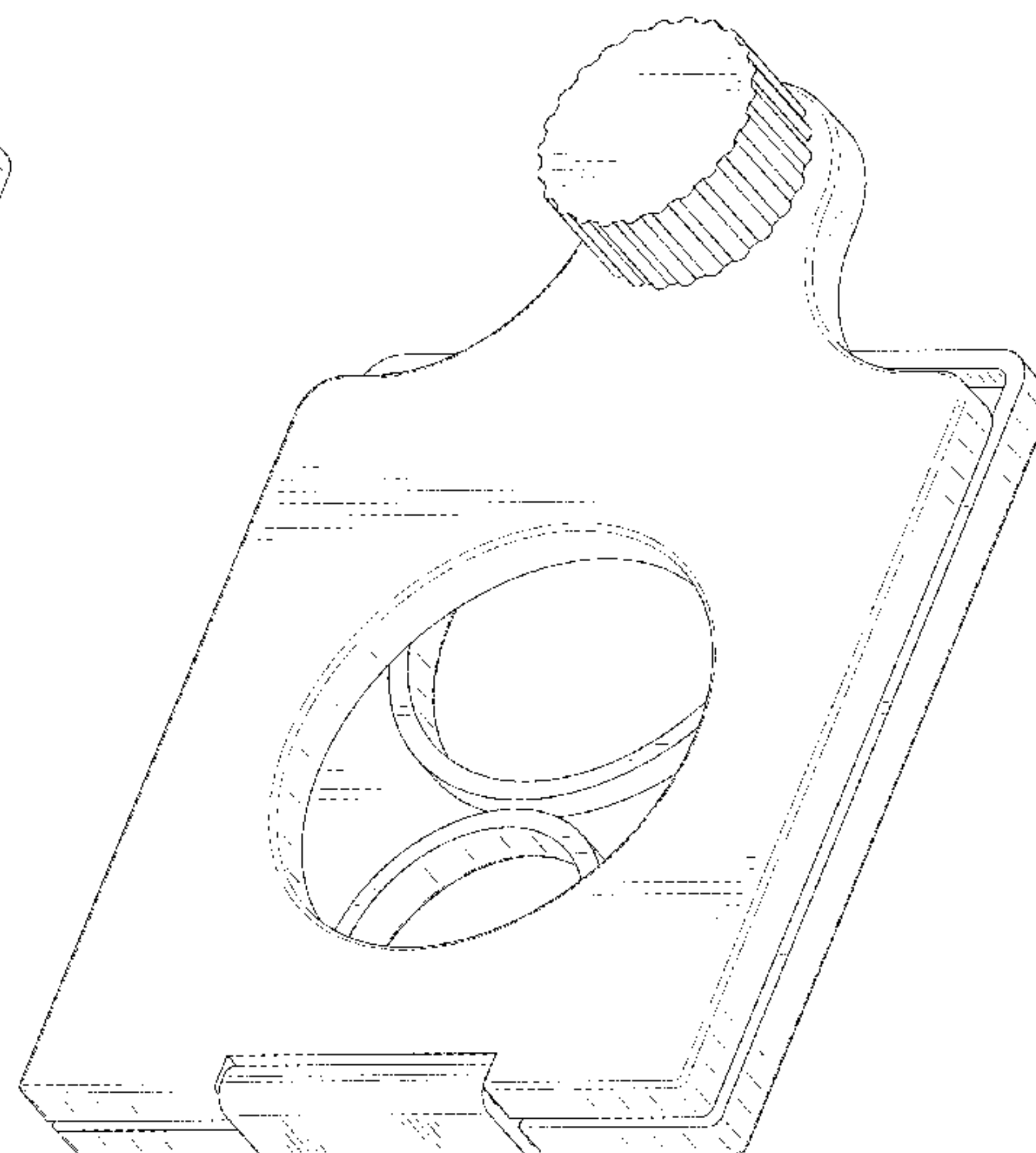
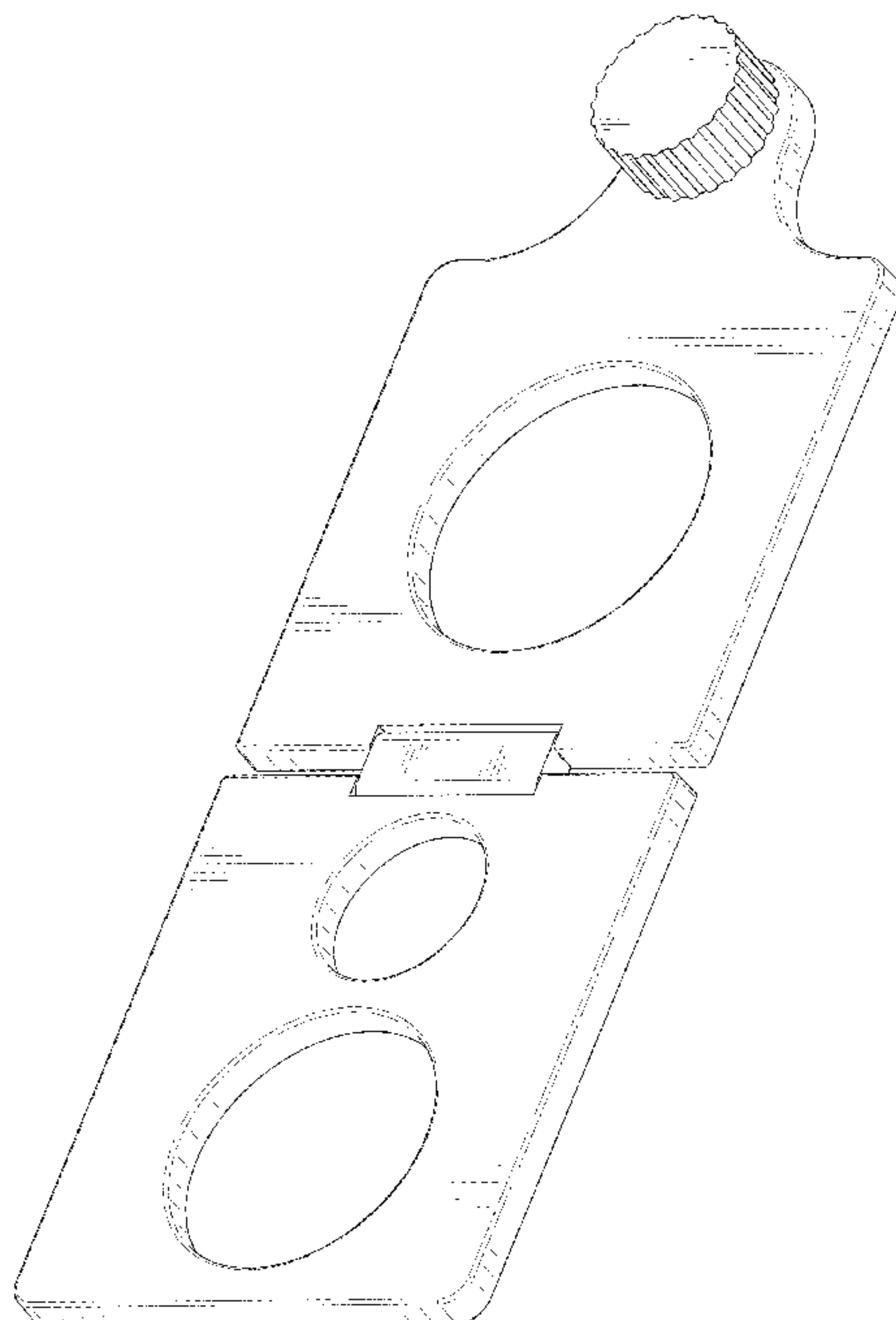
FIG. 7 is a top plan view thereof;

FIG. 8 is a bottom plan view thereof; and,

FIG. 9 is a perspective view of the hole locator where the hole locator is in a folded state.

The broken lines in the drawings depict portions of the hole locator that form no part of the claimed design.

**1 Claim, 9 Drawing Sheets**



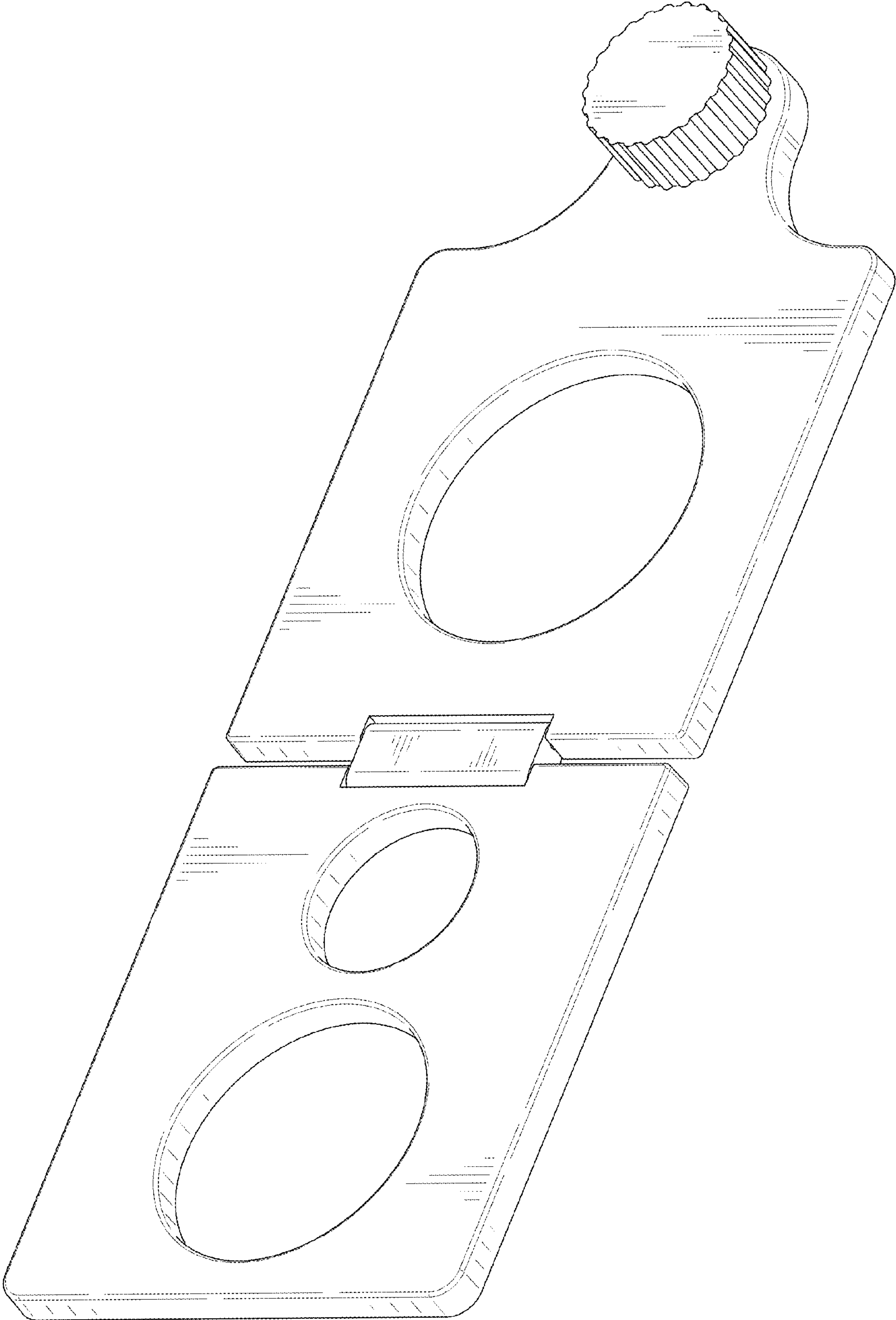


FIG. 1

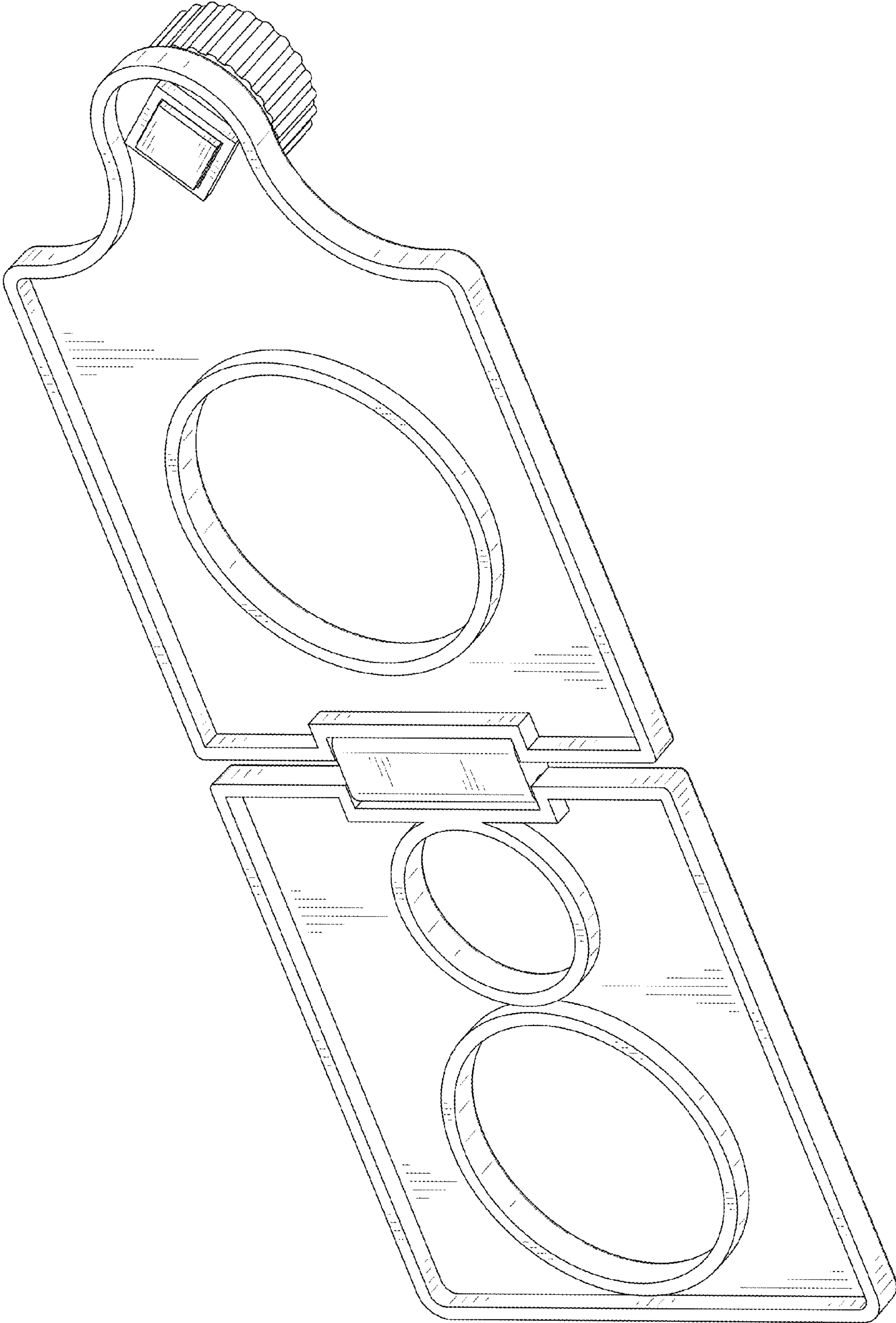


FIG. 2

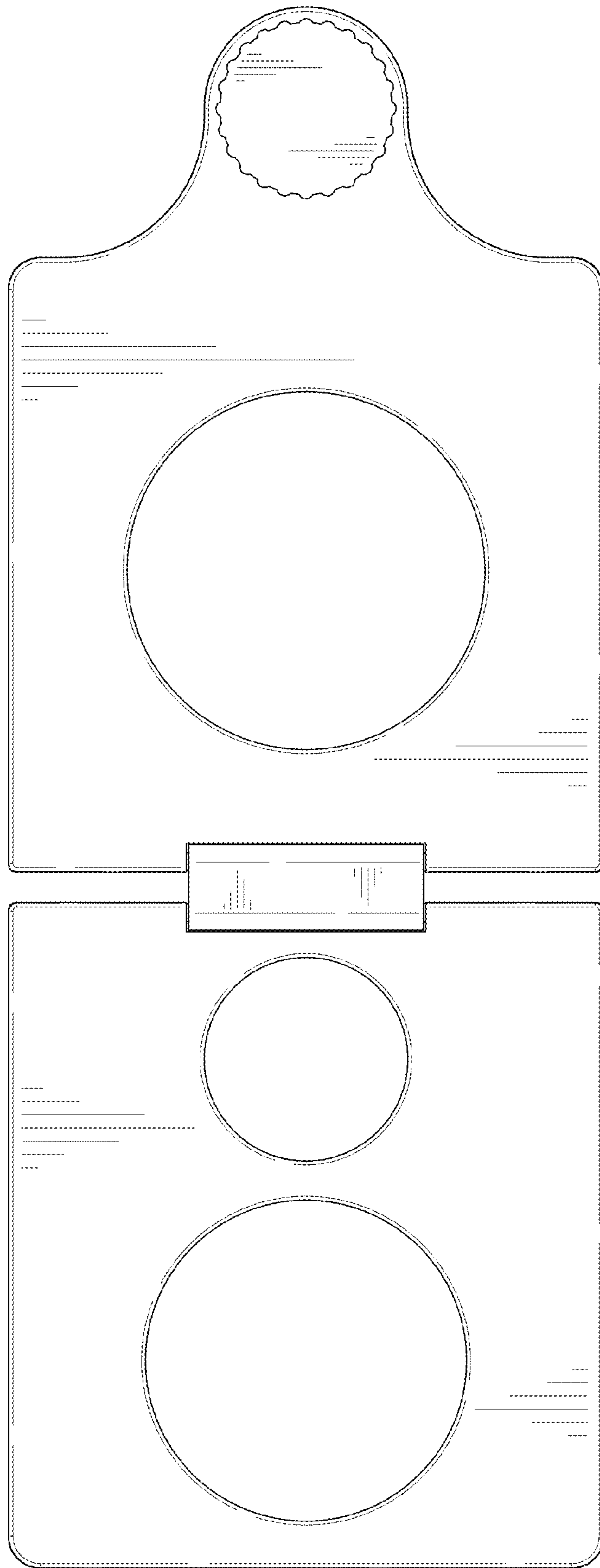


FIG. 3



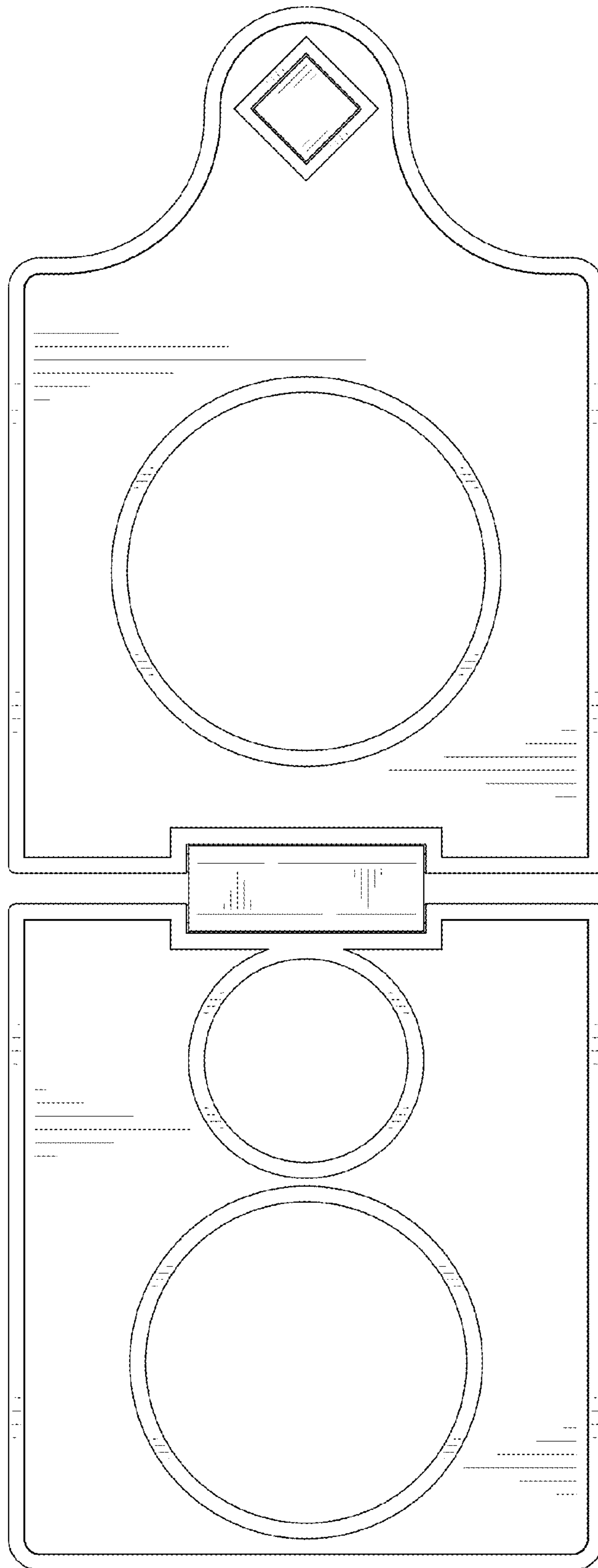


FIG. 4

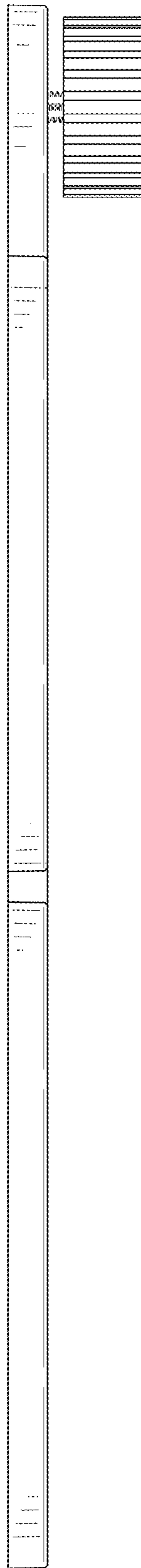


FIG. 5

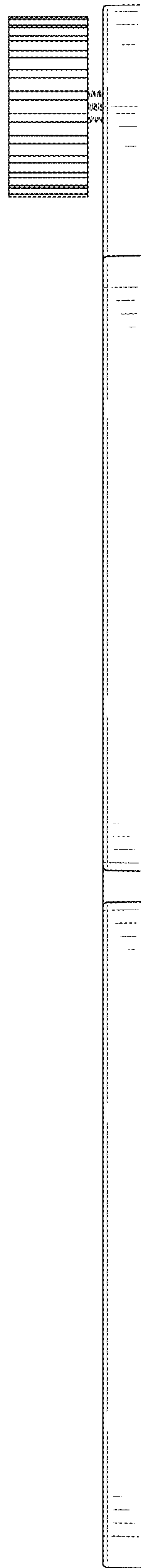


FIG. 6

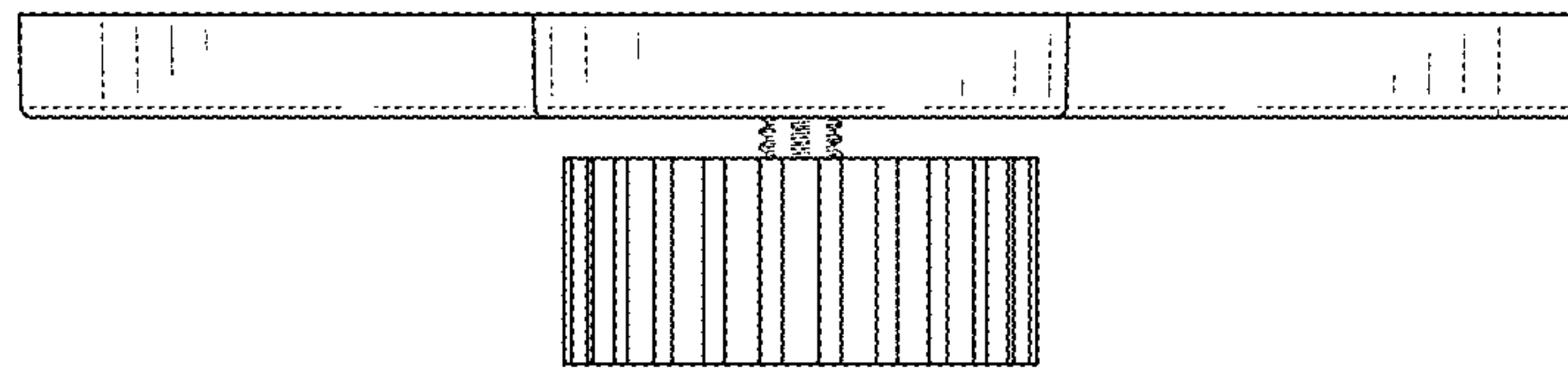


FIG. 7



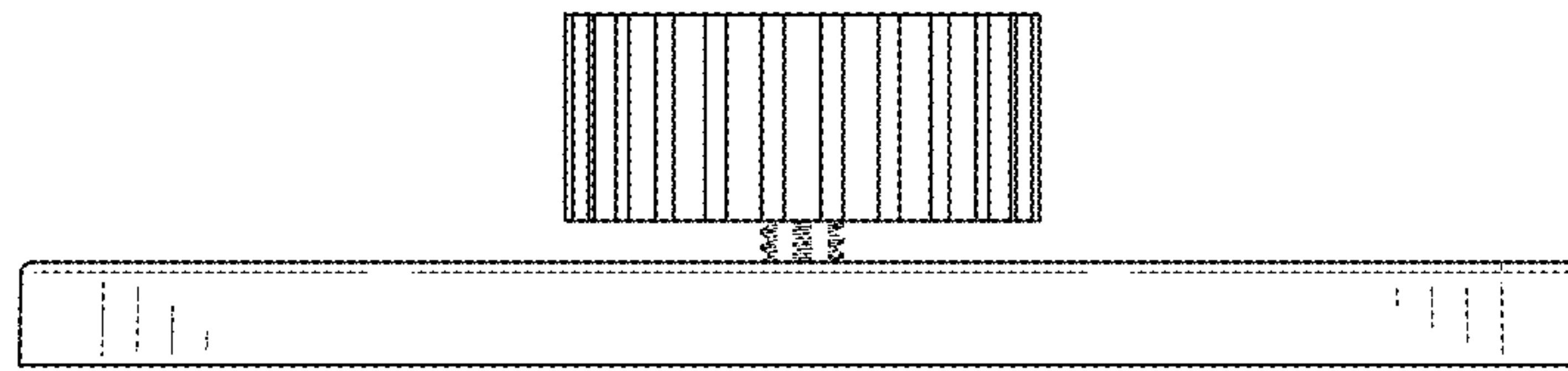


FIG. 8

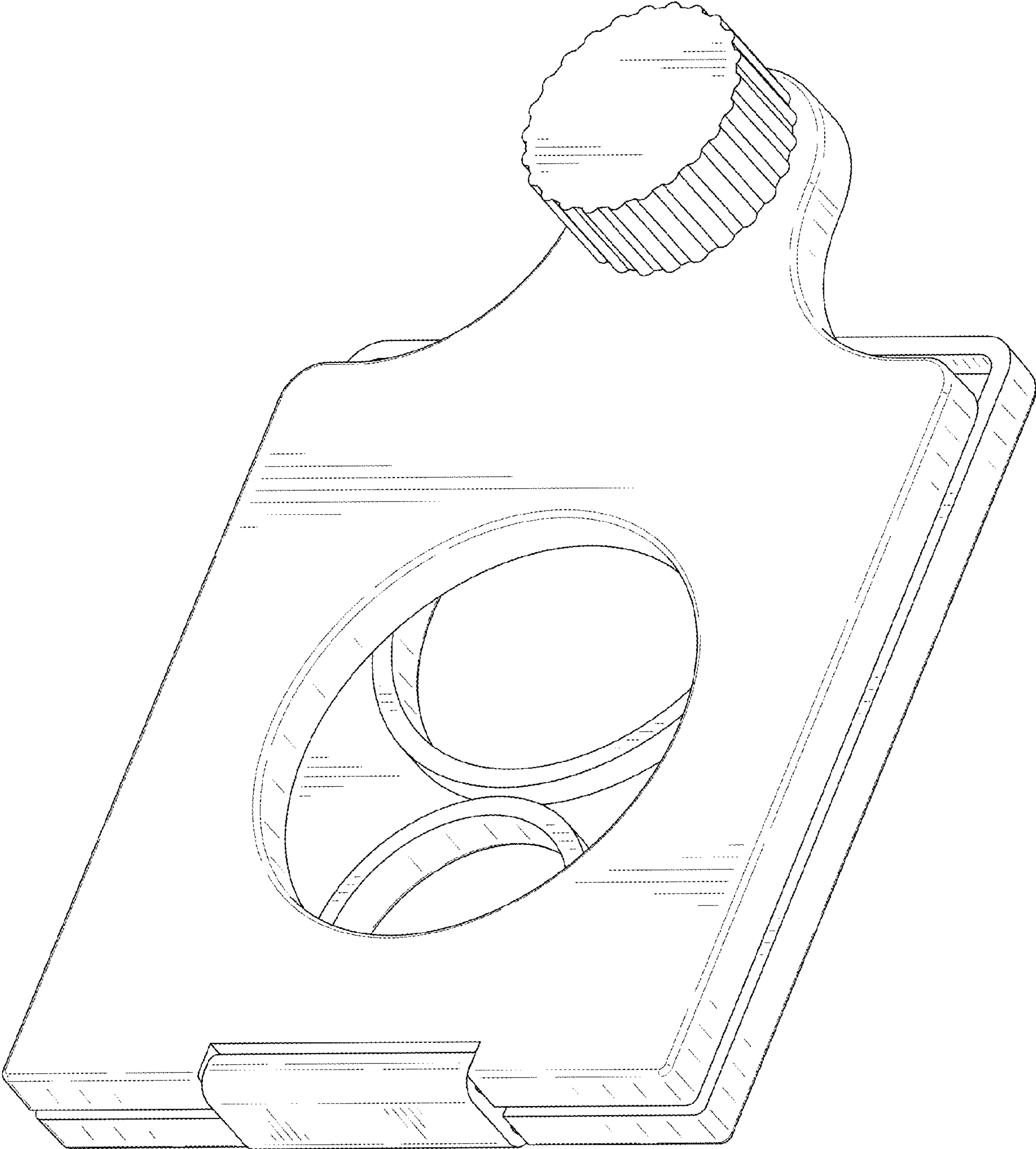


FIG. 9