

US00D962747S

(12) **United States Design Patent** (10) **Patent No.:** **US D962,747 S**
Lin (45) **Date of Patent:** **** Sep. 6, 2022**

(54) **GUIDE BLOCK FOR RACK**
(71) Applicant: **Chyng Hong Electronic Co., Ltd.,**
Taichung (TW)
(72) Inventor: **Mu-Chun Lin,** Taichung (TW)
(73) Assignee: **CHYNG HONG ELECTRONIC CO.,**
LTD., Taichung (TW)

(**) Term: **15 Years**
(21) Appl. No.: **29/769,348**
(22) Filed: **Feb. 4, 2021**
(51) **LOC (13) Cl.** **08-05**
(52) **U.S. Cl.**
USPC **D8/354**
(58) **Field of Classification Search**
USPC D8/349, 354, 373, 380, 400, 402, 377;
D21/489, 484
CPC A47B 13/021; A47B 91/00; F16B 12/48
See application file for complete search history.

D753,774 S * 4/2016 Proulx D21/505
D760,566 S * 7/2016 Biec D8/47
D783,731 S * 4/2017 Rosan D21/486
D824,754 S * 8/2018 Minkovich D8/380
D833,260 S * 11/2018 Dumlao D8/354
D842,683 S * 3/2019 Vilella Garcia D8/354
10,383,245 B1 * 8/2019 Lin H05K 5/0217
D868,635 S * 12/2019 Angel D12/106
D903,470 S * 12/2020 Byer D8/354
D932,884 S * 10/2021 Gill D8/402
D942,252 S * 2/2022 Yu D8/373

* cited by examiner

Primary Examiner — Keli L Hill
Assistant Examiner — Harold E Blackwell, II
(74) *Attorney, Agent, or Firm* — Sinorica LLC

(56) **References Cited**
U.S. PATENT DOCUMENTS

D205,129 S * 6/1966 Glass D11/146
D218,143 S * 7/1970 Kinder et al. D8/382
D284,738 S * 7/1986 Stone 292/343
4,736,974 A * 4/1988 Rosenthal E05C 17/54
292/342
D304,042 S * 10/1989 Poulsen D21/453
D308,466 S * 6/1990 Fenton D8/367
D331,696 S * 12/1992 Graham D8/402
5,249,767 A * 10/1993 Mellen A47B 91/16
D8/402
6,041,473 A * 3/2000 Johnson E05C 17/54
292/343
D517,347 S * 3/2006 Hamilton D6/601
D656,268 S * 3/2012 Hollett D26/142

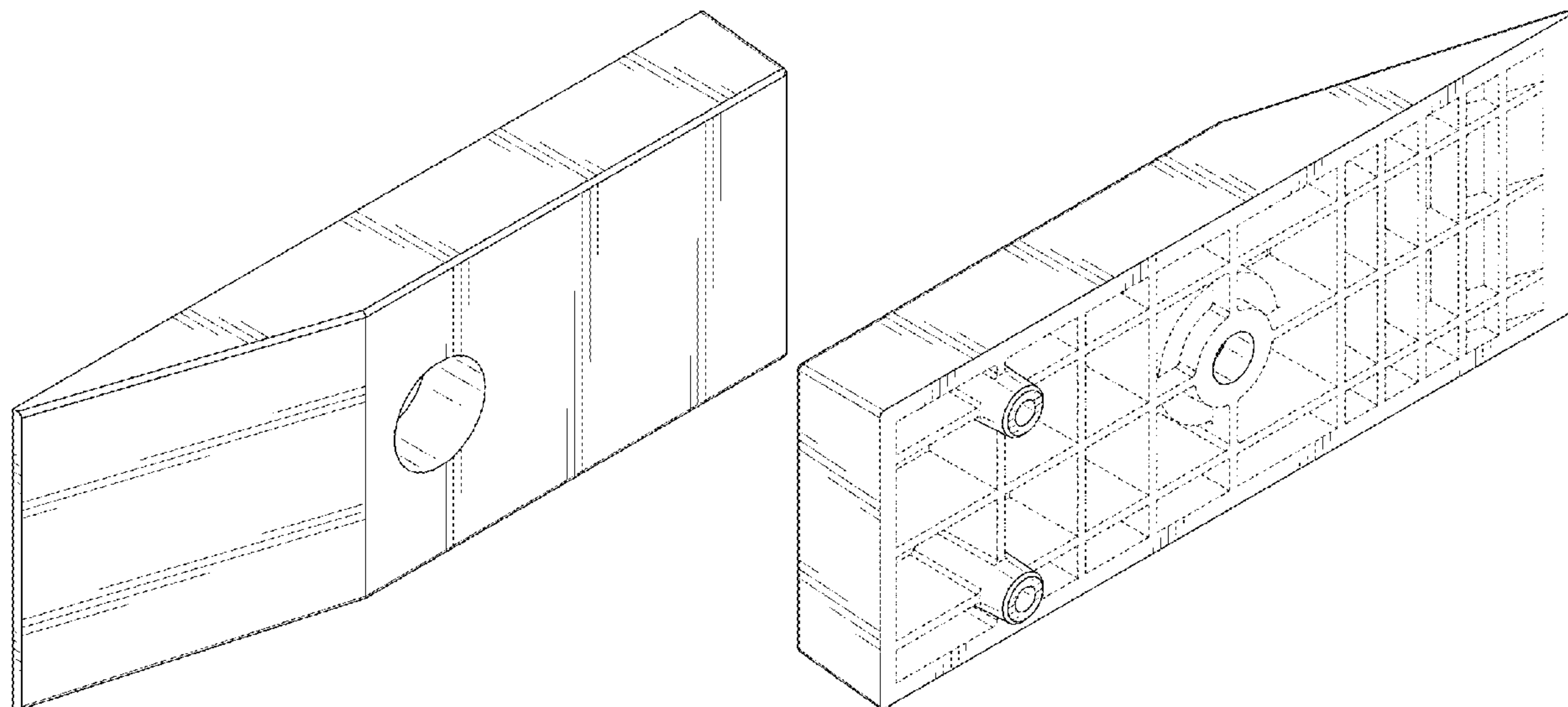
(57) **CLAIM**

The ornamental design for a guide block for rack, as shown and described.

DESCRIPTION

FIG. 1 is a front perspective view of a guide block for rack showing my new design;
FIG. 2 is a front elevational view thereof;
FIG. 3 is a rear elevational view thereof.
FIG. 4 is a left side elevational view thereof;
FIG. 5 is a right side elevational view thereof;
FIG. 6 is a top plan view thereof;
FIG. 7 is a bottom plan view thereof; and,
FIG. 8 is a rear perspective view thereof.
The broken lines in the drawings illustrate portions of the guide block for rack which form no part of the claimed design.

1 Claim, 5 Drawing Sheets



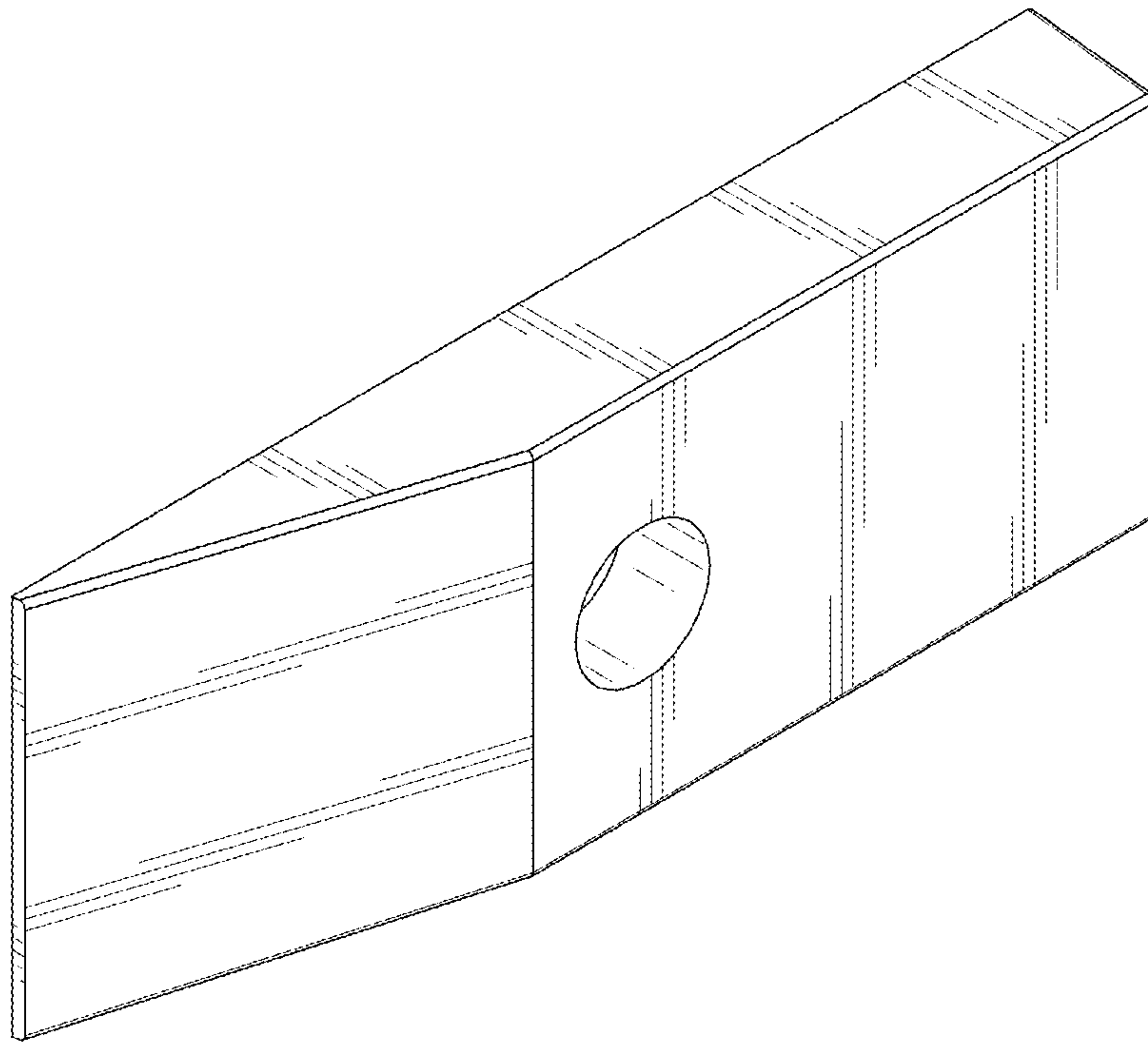


FIG. 1

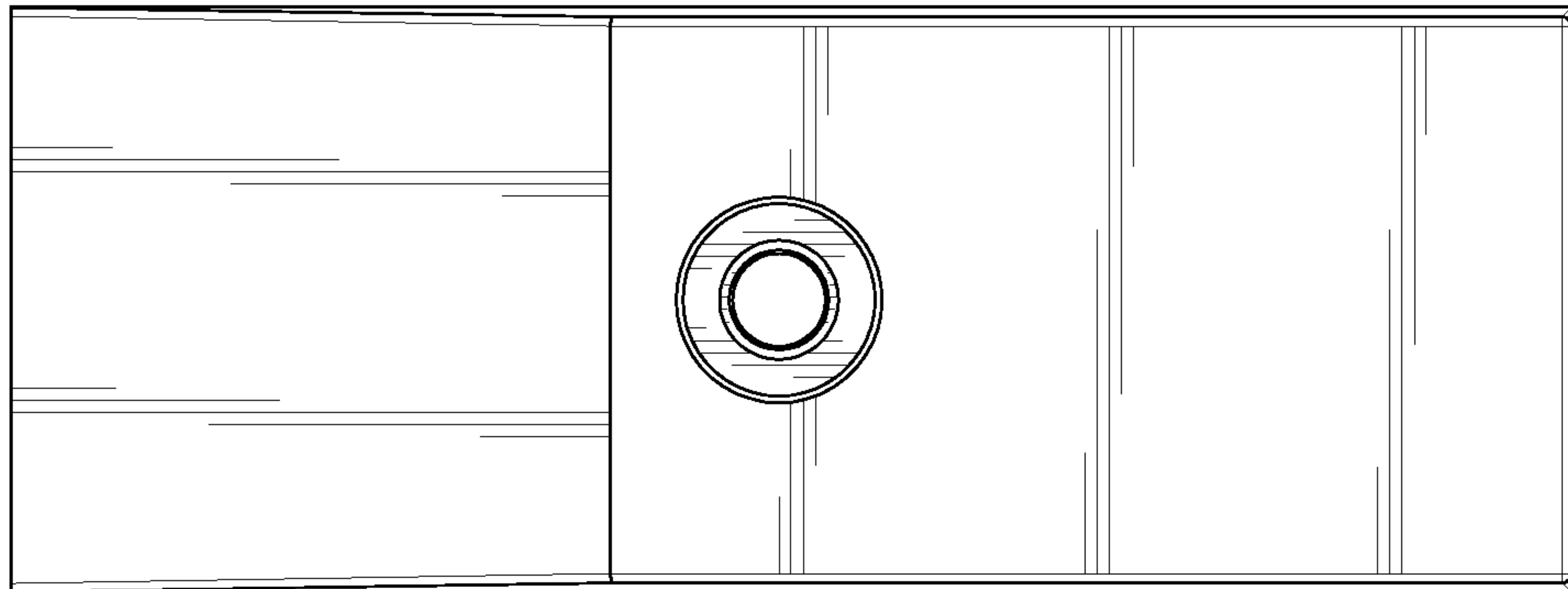


FIG. 2

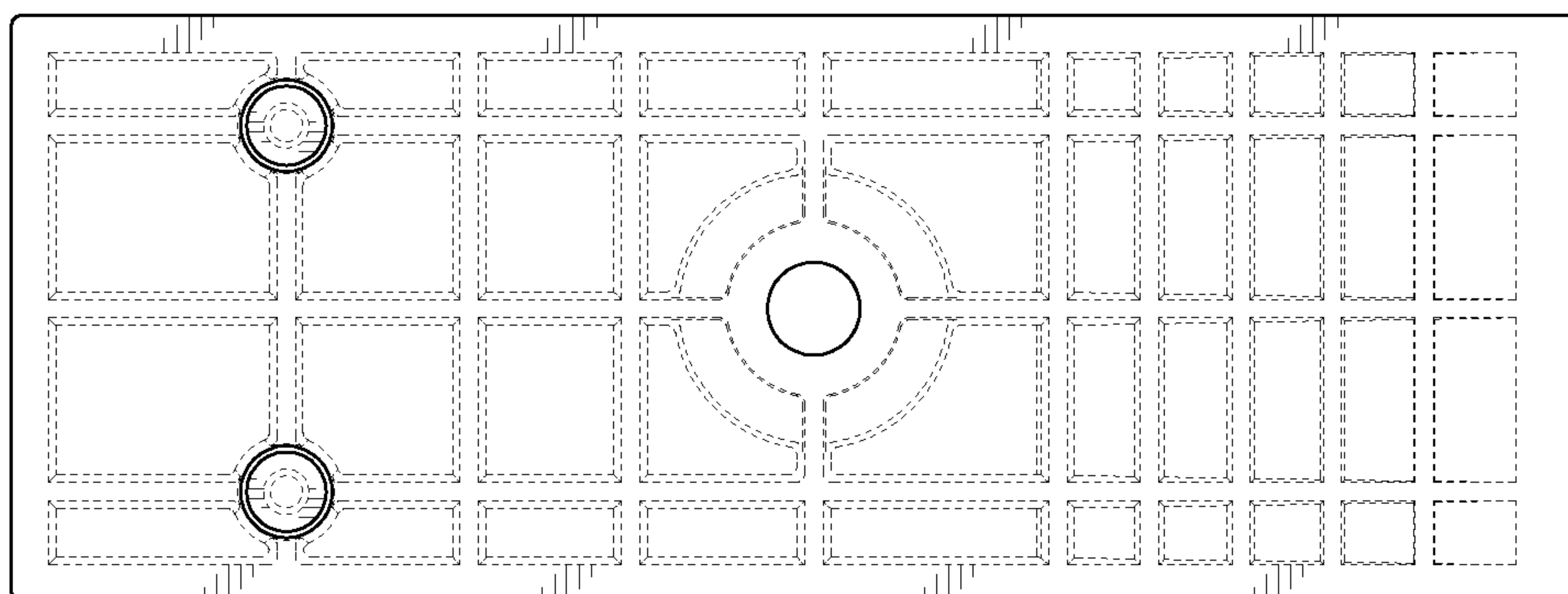


FIG. 3

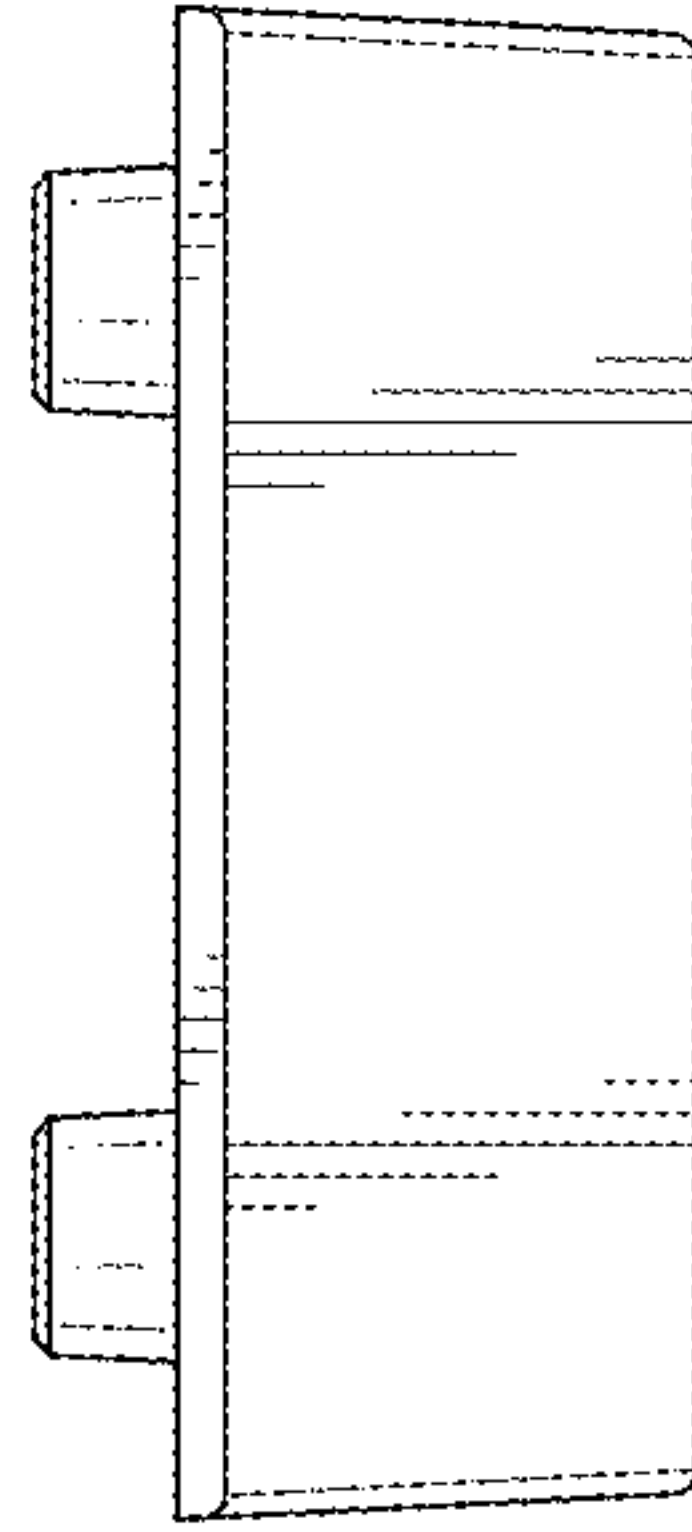


FIG. 4

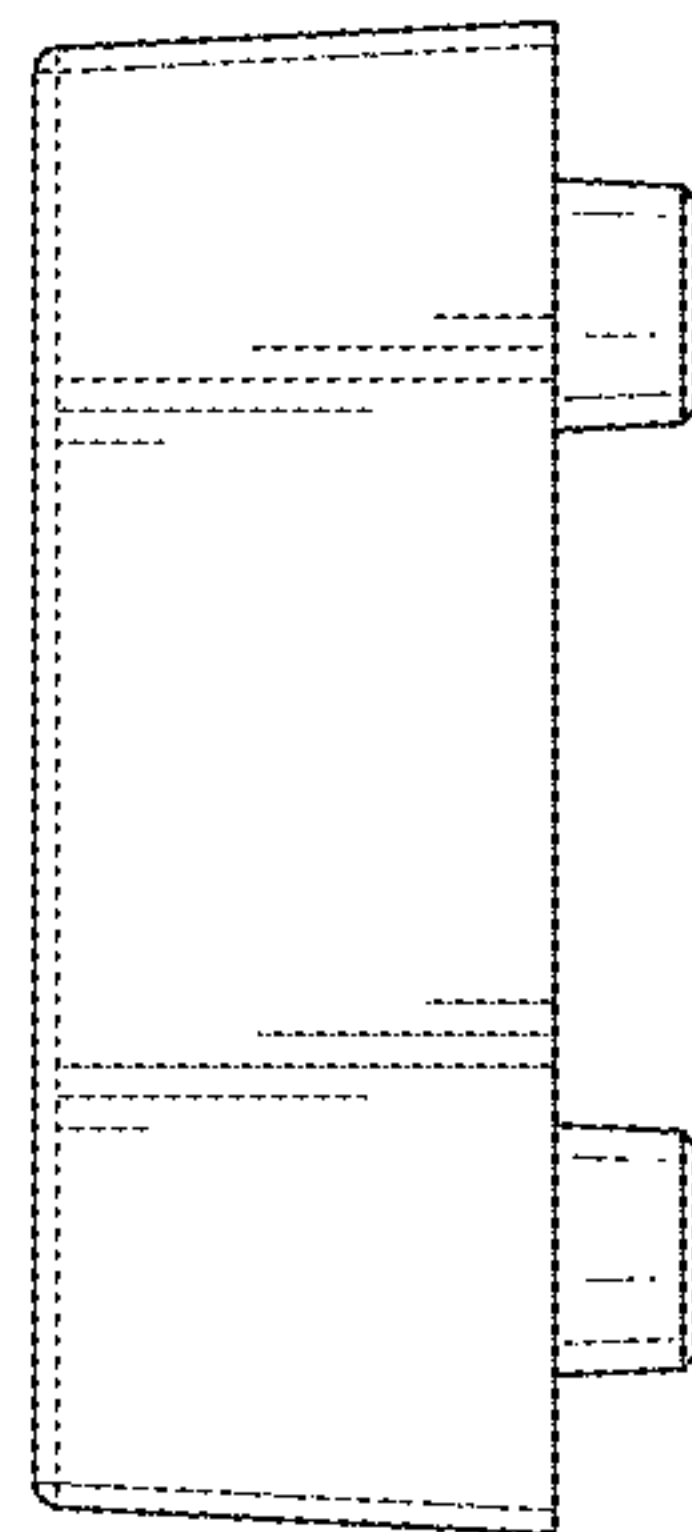


FIG. 5

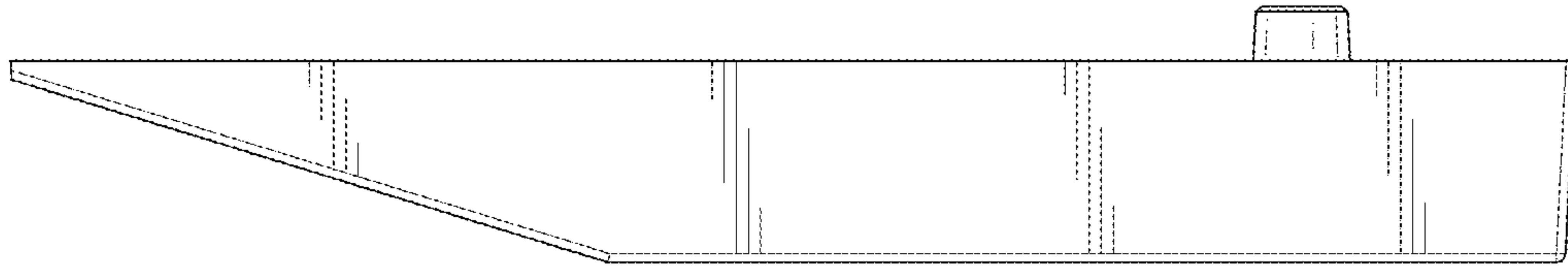


FIG. 6

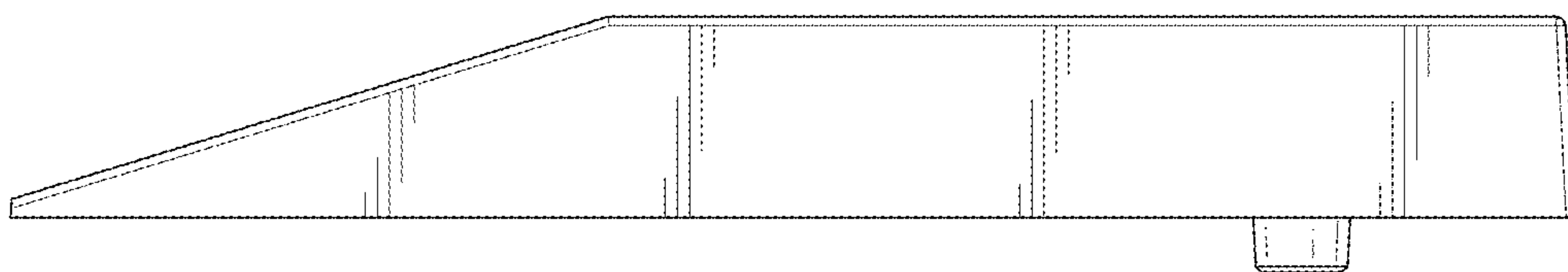


FIG. 7

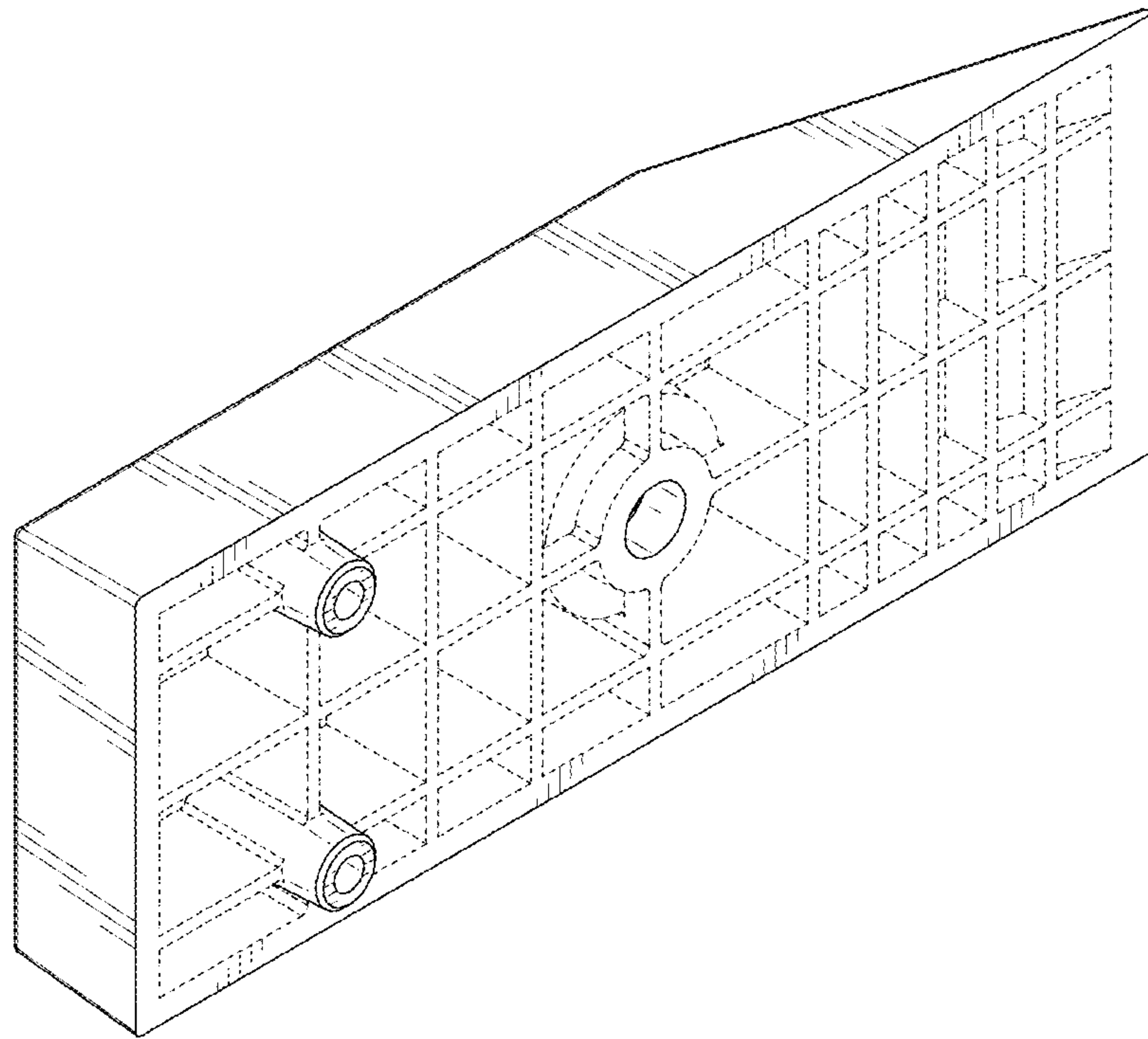


FIG. 8