



US00D962746S

(12) **United States Design Patent** (10) **Patent No.:** **US D962,746 S**
Alt et al. (45) **Date of Patent:** **** Sep. 6, 2022**

(54) **DISPLAY MOUNT FOR A TOILET SEAT ASSEMBLY**

(71) Applicant: **Bemis Manufacturing Company**,
Sheboygan Falls, WI (US)

(72) Inventors: **Kenneth Alt**, Winnetka, IL (US); **Mary Distl**, Seneca, SC (US)

(73) Assignee: **Bemis Manufacturing Company**,
Sheboygan Falls, WI (US)

(**) Term: **15 Years**

(21) Appl. No.: **29/691,153**

(22) Filed: **May 14, 2019**

(51) **LOC (13) Cl.** **08-05**

(52) **U.S. Cl.**
USPC **D8/354**

(58) **Field of Classification Search**
USPC D8/355, 381, 323-330, 354
CPC A47K 13/12; Y10T 29/49963
See application file for complete search history.

(56) **References Cited**

U.S. PATENT DOCUMENTS

D136,323 S *	9/1943	Watson	4/236
3,116,527 A	1/1964	Springer		
D198,471 S *	6/1964	Rankin, Jr.	D25/119
3,151,743 A	10/1964	Reibold et al.		
3,431,004 A	3/1969	Schell		
D227,981 S *	7/1973	La Borde	D25/119
4,060,861 A	12/1977	Lawrence et al.		
4,145,771 A	3/1979	Khazin		
4,295,784 A	10/1981	Manning		
4,479,273 A	10/1984	Raden et al.		
4,502,167 A	3/1985	Porzelius		
4,507,813 A	4/1985	Lawson et al.		
4,524,470 A	6/1985	Grenell		
4,651,358 A	3/1987	Logan, Jr.		

4,724,551 A	2/1988	Gardner		
4,736,472 A	4/1988	Buckshaw et al.		
D328,127 S *	7/1992	Smith, Jr.	D23/311
D338,823 S *	8/1993	Johnson	D8/326
5,347,663 A	9/1994	Yost		
D357,407 S *	4/1995	Pate	D8/381
5,405,003 A	4/1995	Schmidt et al.		
5,669,081 A	9/1997	Scherer et al.		
5,933,875 A	8/1999	Hulsebus et al.		
6,226,805 B1	5/2001	Watkins		
6,381,762 B1	5/2002	Moser		

(Continued)

OTHER PUBLICATIONS

Images of a display mount for a toilet seat, publicly available at least as early as May 13, 2018 (7 pages, statement of relevance included).

Primary Examiner — Keli L Hill

Assistant Examiner — Harold E Blackwell, II

(74) *Attorney, Agent, or Firm* — Michael Best & Friedrich LLP

(57) **CLAIM**

The ornamental design for a display mount for a toilet seat assembly, as shown and described.

DESCRIPTION

FIG. 1 is a perspective view of a display mount for a toilet seat assembly showing our new design.

FIG. 2 is a bottom view of the display mount of FIG. 1.

FIG. 3 is a top view of the display mount of FIG. 1.

FIG. 4 is a first side view of the display mount of FIG. 1.

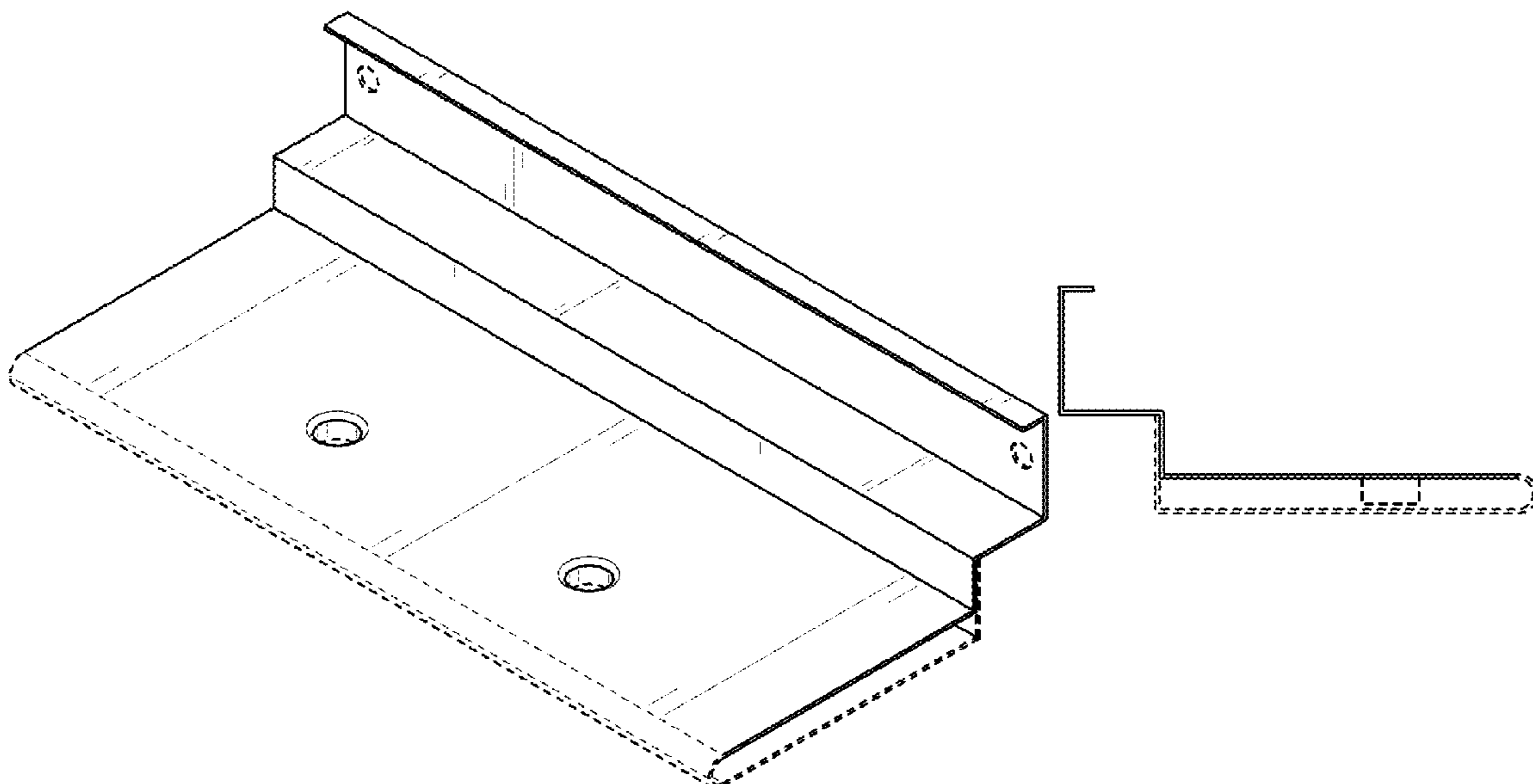
FIG. 5 is a second side view of the display mount of FIG. 1.

FIG. 6 is a front view of the display mount of FIG. 1; and,

FIG. 7 is a rear view of the display mount of FIG. 1.

The broken lines in the drawings illustrate portions of a display mount for a toilet seat assembly which form no part of the claimed design.

1 Claim, 7 Drawing Sheets



(56)

References Cited

U.S. PATENT DOCUMENTS

6,609,750 B1 * 8/2003 Cauduro B60J 9/02
296/216.02

6,763,529 B1 7/2004 Richter

7,093,308 B2 * 8/2006 Berlovan A47K 17/026
4/240

D541,623 S * 5/2007 Hord D8/323

D583,221 S * 12/2008 Johnsen D8/354

7,490,366 B1 2/2009 Richter

D622,575 S * 8/2010 Li D8/326

8,214,931 B2 7/2012 Bemis et al.

8,371,543 B2 * 2/2013 Schneider A47G 1/1606
52/713

8,495,768 B2 * 7/2013 Owen, Jr. A47K 13/10
4/246.1

D705,043 S * 5/2014 Michaud D8/366

8,763,169 B2 * 7/2014 Daniels A47K 13/005
4/240

8,914,919 B1 12/2014 Schubert

9,107,547 B2 * 8/2015 Hand A47K 13/26

9,635,987 B2 * 5/2017 Hand A47K 13/12

D801,781 S * 11/2017 Schuit D8/354

2007/0017013 A1 * 1/2007 Pronovost A47K 13/12
4/240

2009/0106884 A1 * 4/2009 Bemis B29C 45/1676
4/236

2013/0269092 A1 * 10/2013 Hand F16B 35/005
4/240

2020/0359810 A1 * 11/2020 Alt A47F 5/0876

2021/0251441 A1 8/2021 Henne et al.

* cited by examiner

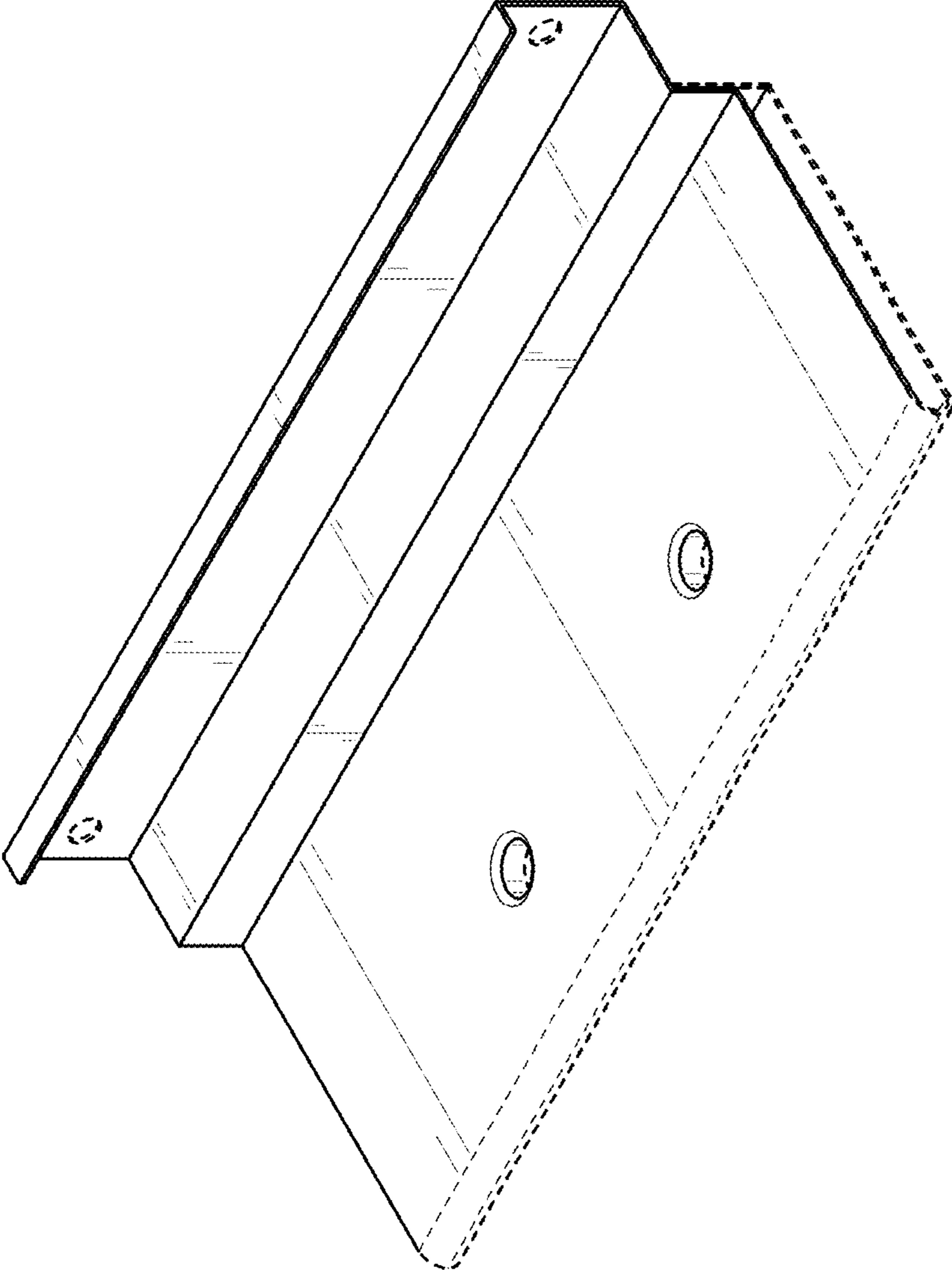


FIG. 1

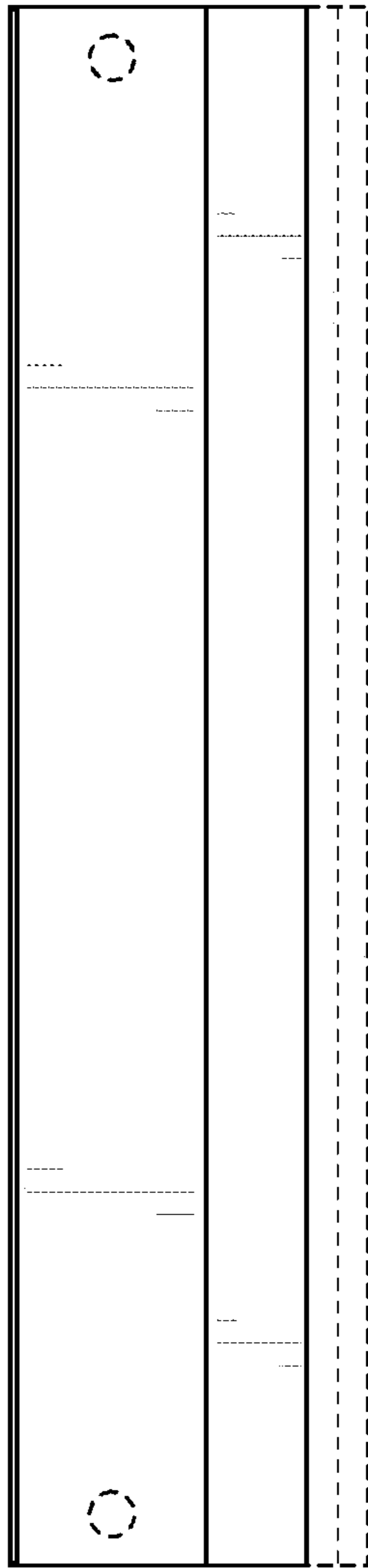


FIG. 2

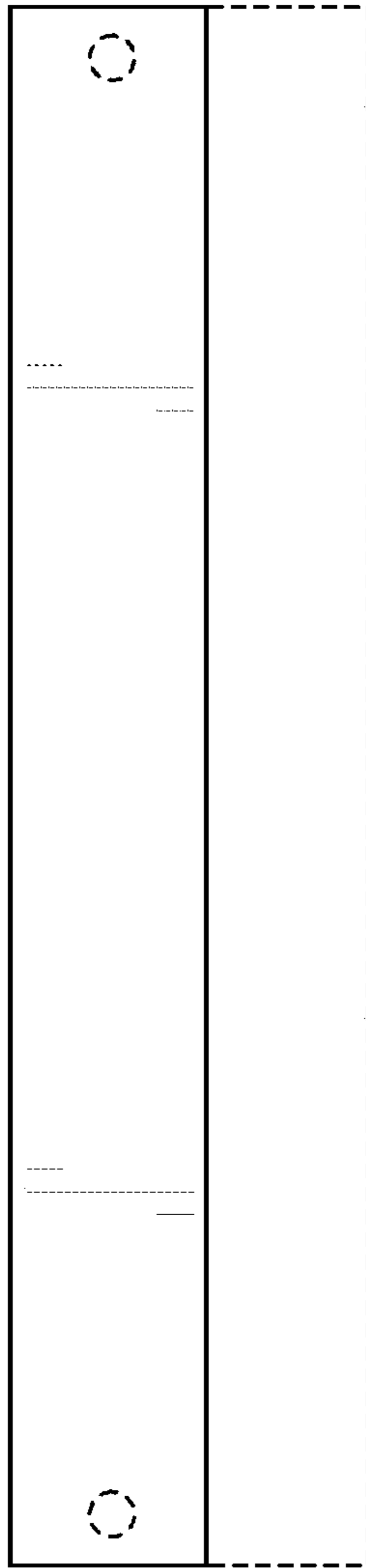


FIG. 3

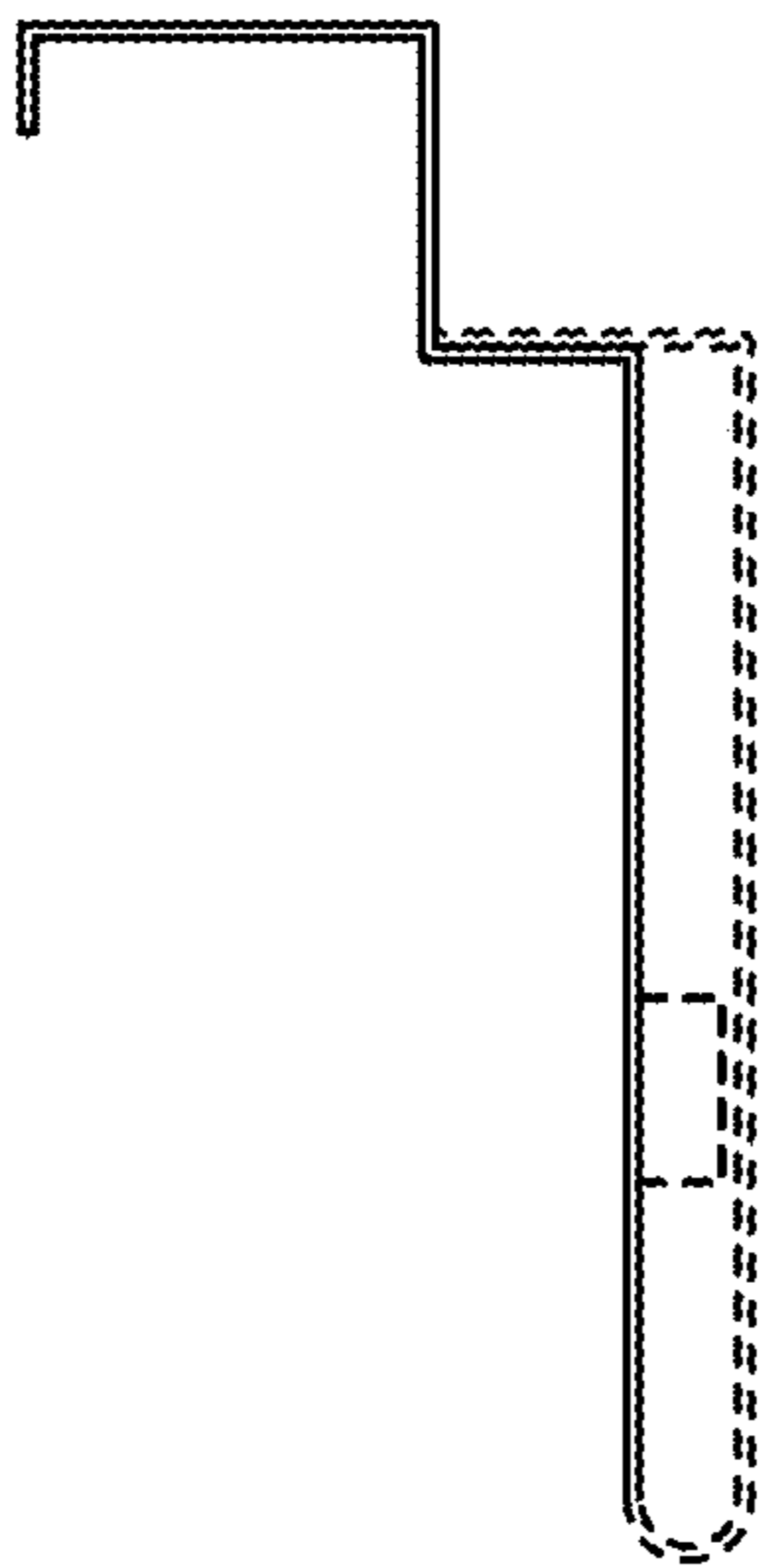


FIG. 4

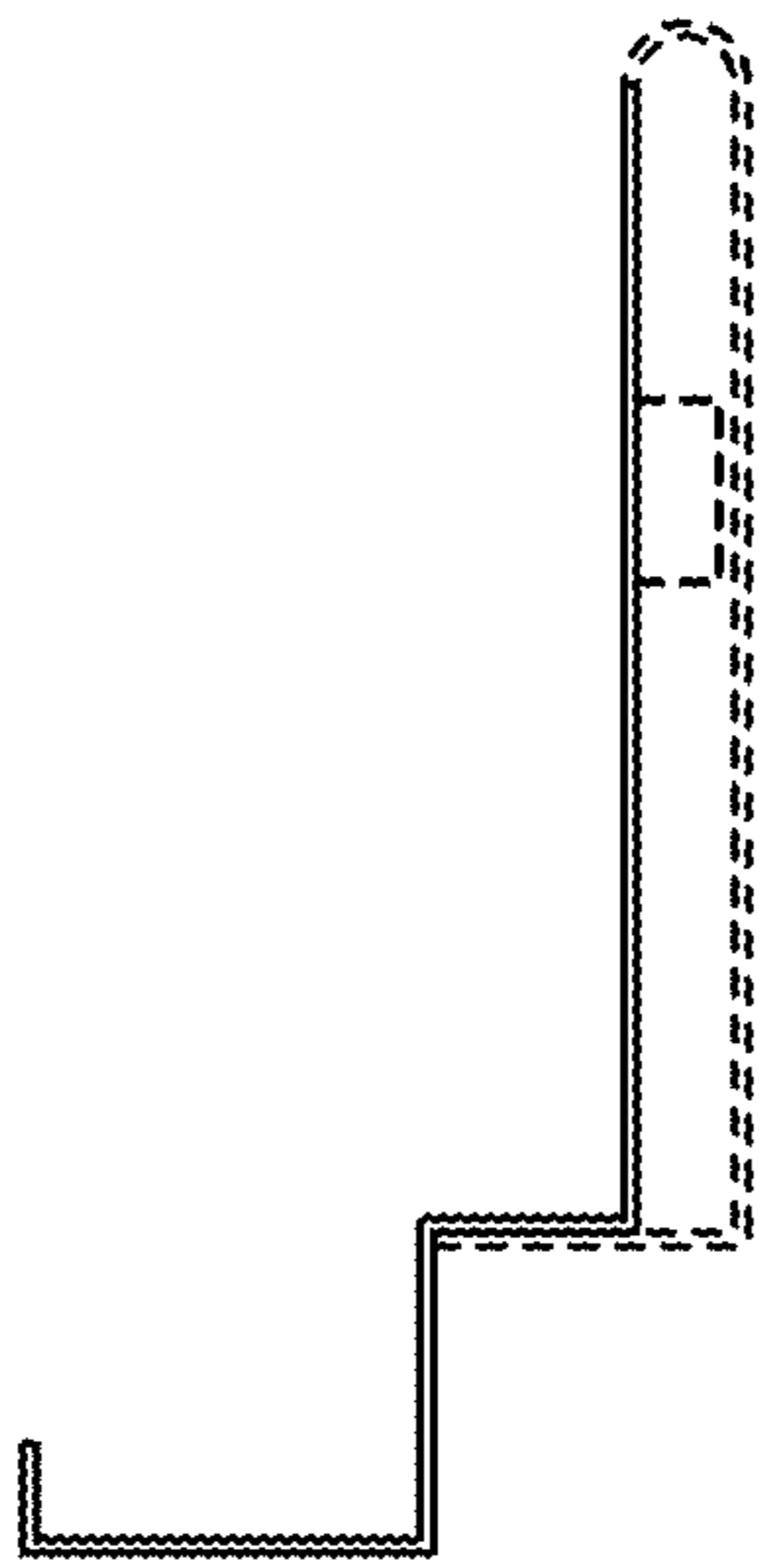


FIG. 5

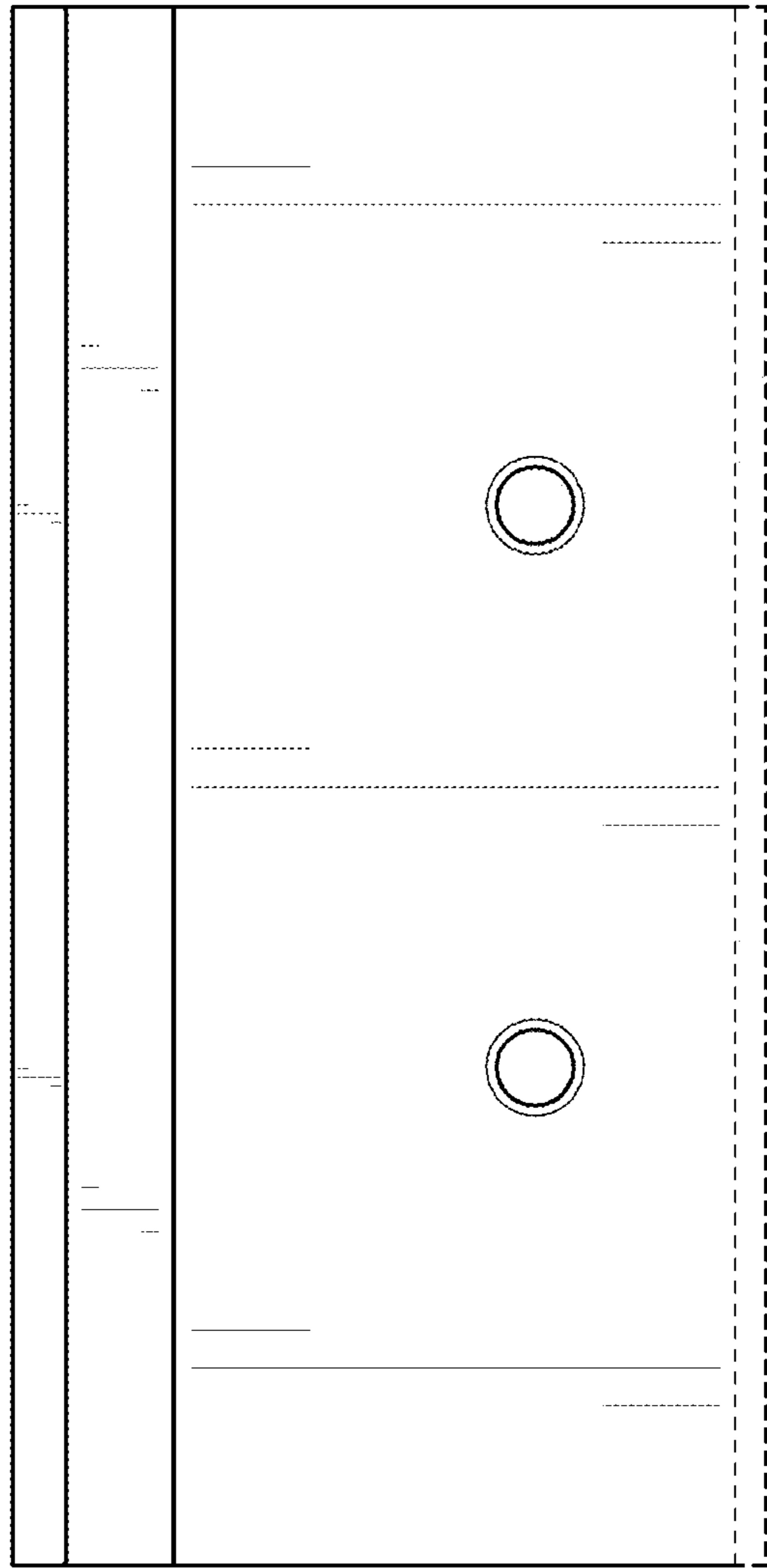


FIG. 6

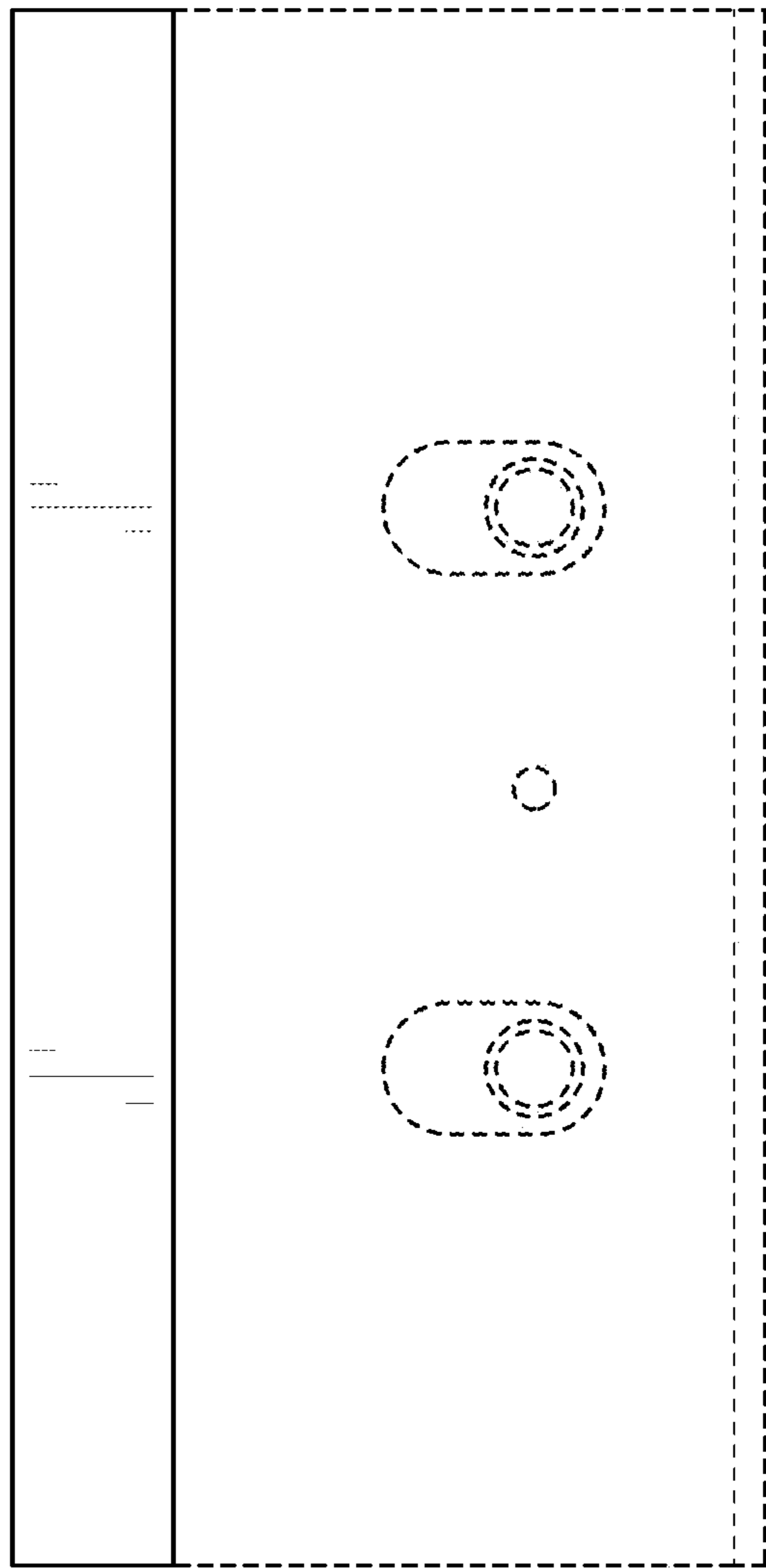


FIG. 7