

US00D962745S

(12) **United States Design Patent**
Habbouch

(10) **Patent No.:** **US D962,745 S**

(45) **Date of Patent:** **** Sep. 6, 2022**

- (54) **DECORATIVE HANDLE**
- (71) Applicant: **Pride Industrial, LLC**, Chino Hills, CA (US)
- (72) Inventor: **Joseph Habbouch**, Chino Hills, CA (US)
- (73) Assignee: **Pride Industrial, LLC**, Chino Hills, CA (US)
- (**) Term: **15 Years**
- (21) Appl. No.: **29/756,239**
- (22) Filed: **Oct. 27, 2020**
- (51) **LOC (13) Cl.** **08-06**
- (52) **U.S. Cl.**
USPC **D8/316; D8/315**
- (58) **Field of Classification Search**
USPC **D8/315-316, 319-322**
CPC **A47B 95/02; Y10T 16/458; Y10T 16/462**
See application file for complete search history.

(56) **References Cited**

U.S. PATENT DOCUMENTS

D200,195 S *	2/1965	Clayton	D8/316
D200,953 S *	4/1965	Menezes et al.	D8/DIG. 1
D206,114 S *	11/1966	Morgan	D8/316
D284,737 S *	7/1986	Clayton	D8/302
D290,337 S *	6/1987	Savage	D8/353
D370,617 S *	6/1996	Decursu	D8/316
D380,956 S *	7/1997	Collins	D8/316
D387,265 S *	12/1997	Mattson	D8/316
D426,134 S *	6/2000	Pytlewski	D8/107
D542,117 S *	5/2007	Fields	D8/316
D569,704 S *	5/2008	Ricereto	D8/315
D573,868 S *	7/2008	Ricereto	D8/315
D584,936 S *	1/2009	Ricereto	D8/315

D642,446 S *	8/2011	Roe	D8/320
D648,614 S *	11/2011	Koskela	D8/316
D705,638 S *	5/2014	Aruga	B25G 1/04
				D8/303
D718,606 S *	12/2014	Ramsland	D8/315
D737,112 S *	8/2015	Han	D8/316
D790,315 S *	6/2017	Zimmer	D8/316
D879,582 S *	3/2020	Olson	D8/316
D897,724 S *	10/2020	Garland	D6/549
D918,618 S *	5/2021	Lazarini	D6/549

OTHER PUBLICATIONS

“Aino A427-8-PN Nicole Modern Pulls”, Jul. 19, 2009, Amazon.com, site visited Mar. 21, 2022: <https://www.amazon.com/dp/B002BZA7IM> (Year: 2009).*

(Continued)

Primary Examiner — Jack Reickel

Assistant Examiner — Michael A Kervin

(74) *Attorney, Agent, or Firm* — Varnum LLP

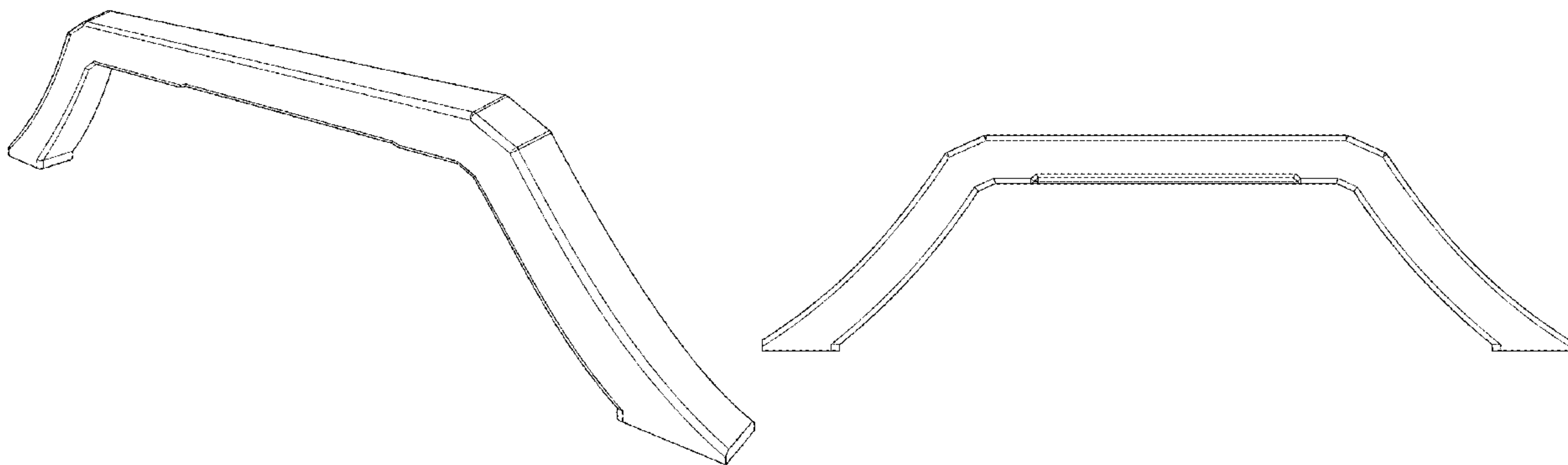
(57) **CLAIM**

I claim the ornamental design for a decorative handle, as shown and described.

DESCRIPTION

FIG. 1 is a perspective view of a decorative handle; FIG. 2 is a front view of the decorative handle of FIG. 1; FIG. 3 is a back view of the decorative handle of FIG. 1; FIG. 4 is a left side view of the decorative handle of FIG. 1; FIG. 5 is a right side view of the decorative handle of FIG. 1; FIG. 6 is a top view of the decorative handle of FIG. 1; and, FIG. 7 is a bottom view of the decorative handle of FIG. 1. All broken lines shown in the Figures illustrate portions of the article that form no part of the claimed design.

1 Claim, 2 Drawing Sheets



(56)

References Cited

OTHER PUBLICATIONS

“Liberty Brightened Opulence”, Sep. 1, 2019, Amazon.com, site visited Mar. 21, 2022: <https://www.amazon.com/dp/B07X6SZKJV> (Year: 2019).*

“Allison by Amerock Exceed Cabinet Pull”, Jul. 7, 2020, Amazon.com, site visited Mar. 21, 2022: <https://www.amazon.com/Amerock-Center-Center-Champagne-Cabinet/dp/B089B812BM> (Year: 2020).*

* cited by examiner

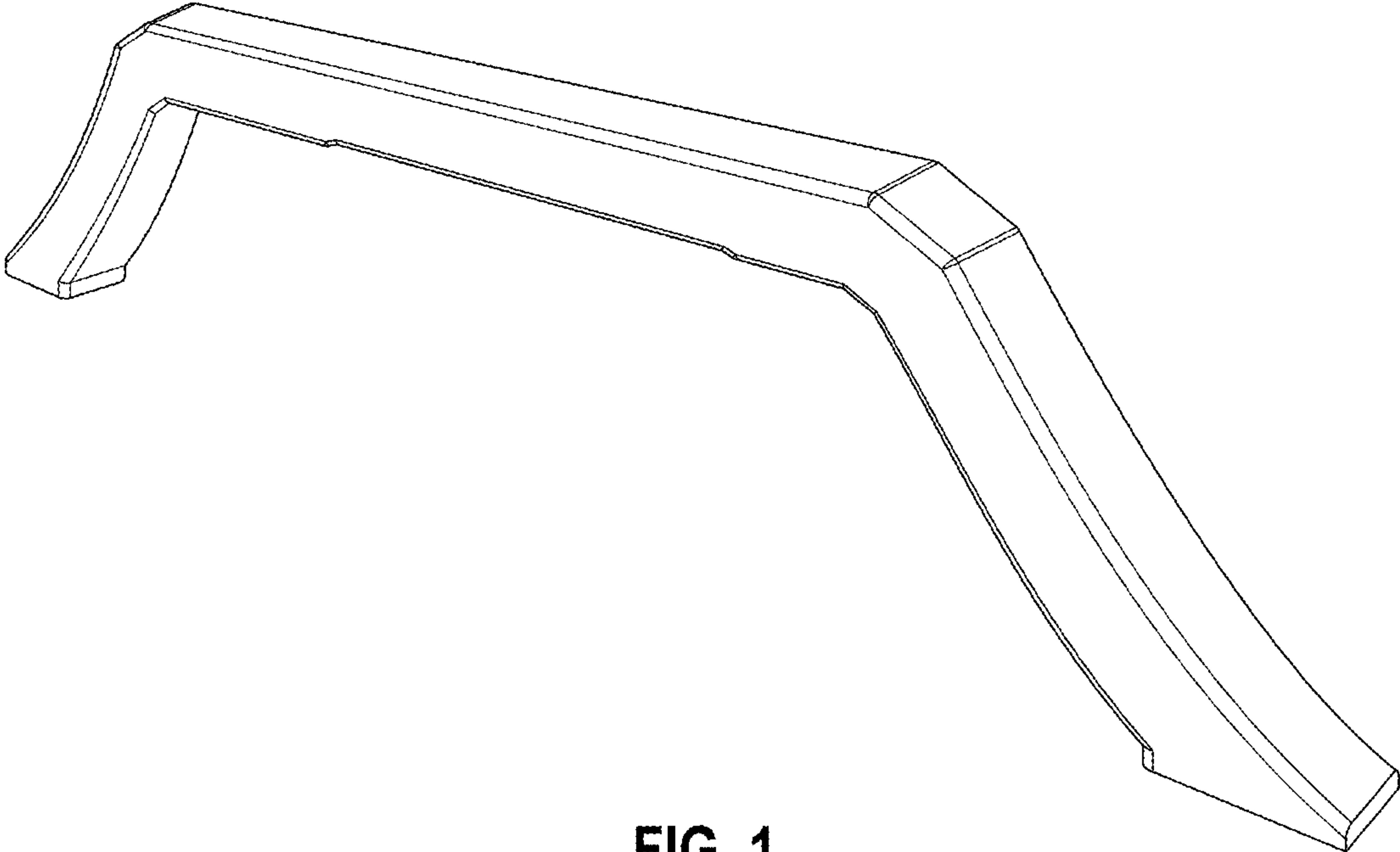


FIG. 1

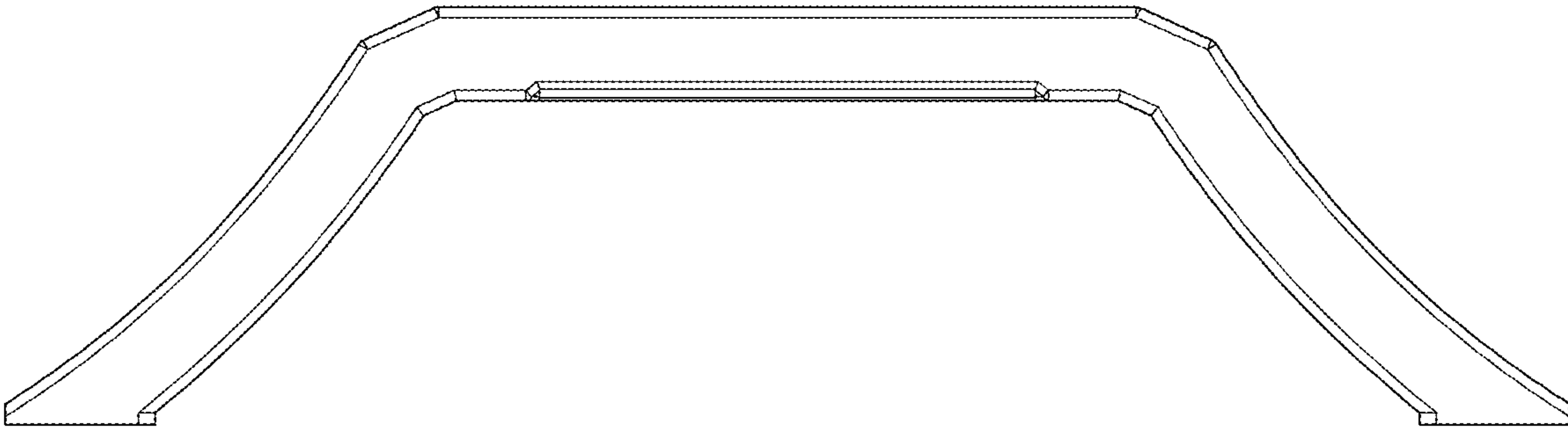


FIG. 2

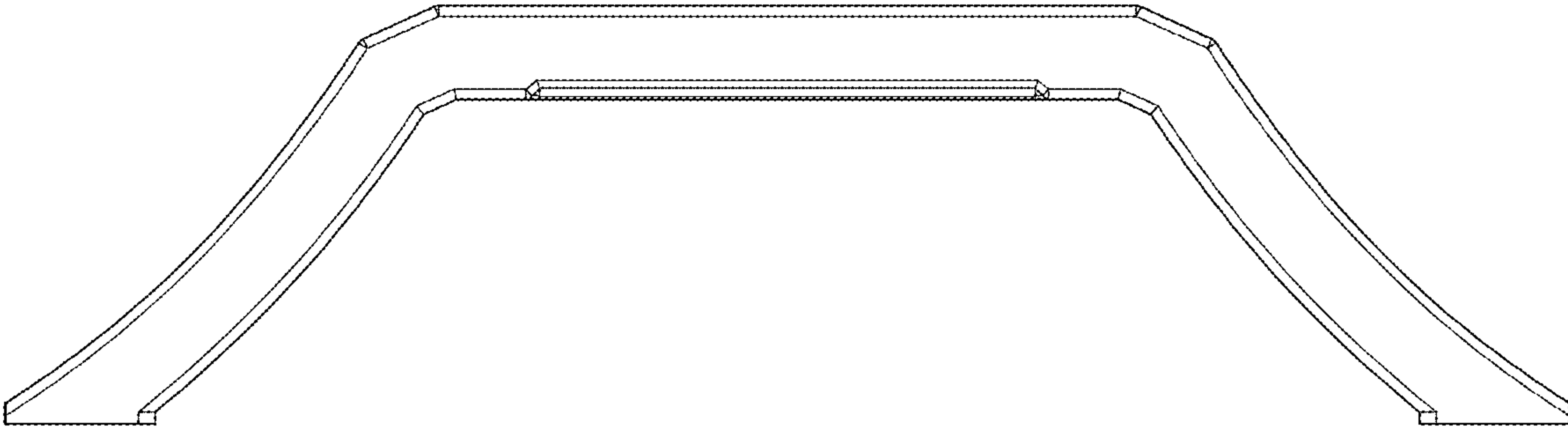


FIG. 3

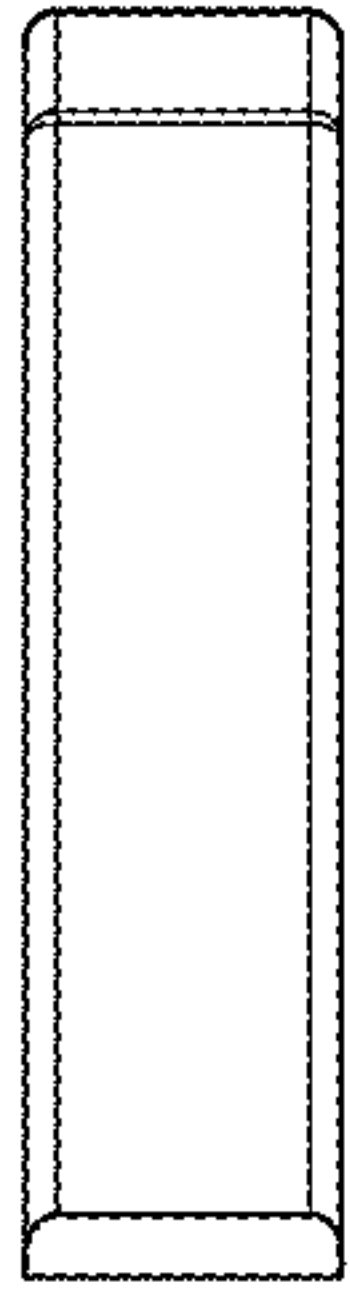


FIG. 4

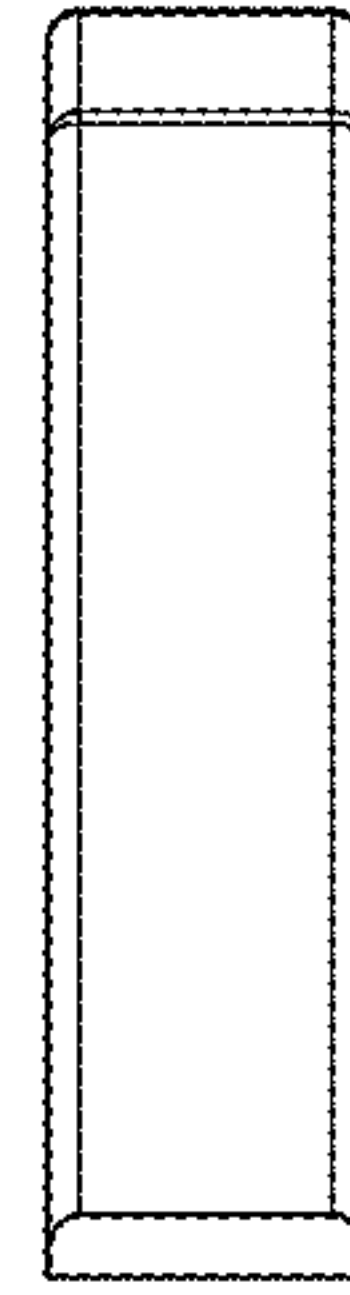


FIG. 5

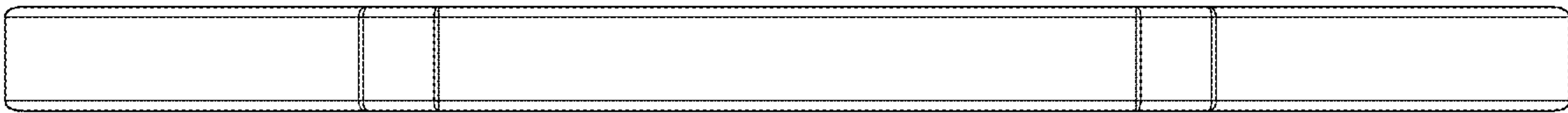


FIG. 6

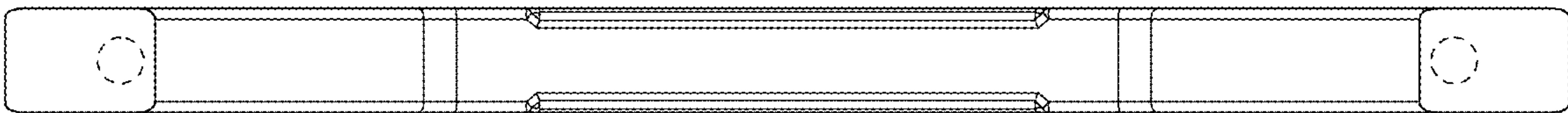


FIG. 7