

US00D962744S

(12) **United States Design Patent**
Habbouch

(10) **Patent No.:** **US D962,744 S**

(45) **Date of Patent:** **** Sep. 6, 2022**

(54) **DECORATIVE HANDLE**

(71) Applicant: **Pride Industrial, LLC**, Chino Hills,
CA (US)

(72) Inventor: **Joseph Habbouch**, Chino Hills, CA
(US)

(73) Assignee: **Pride Industrial, LLC**, Chino Hills,
CA (US)

(**) Term: **15 Years**

(21) Appl. No.: **29/756,235**

(22) Filed: **Oct. 27, 2020**

(51) **LOC (13) Cl.** **08-06**

(52) **U.S. Cl.**
USPC **D8/316; D8/315**

(58) **Field of Classification Search**
USPC D8/315-316, 319-322
CPC A47B 95/02; Y10T 16/458; Y10T 16/462
See application file for complete search history.

(56) **References Cited**

U.S. PATENT DOCUMENTS

D100,034 S *	6/1936	McCormick	D8/DIG. 1
D138,910 S *	9/1944	Stone	D8/DIG. 1
D200,195 S *	2/1965	Clayton	D8/316
D387,265 S *	12/1997	Mattson	D8/316
D543,436 S *	5/2007	Ricereto	D8/316
D573,868 S *	7/2008	Ricereto	D8/315
D588,897 S *	3/2009	Ricereto	D8/317
D589,326 S *	3/2009	Mattson	D8/321
D596,918 S *	7/2009	Menzies	D8/315
D643,277 S *	8/2011	Roe	D8/317
D664,023 S *	7/2012	Gilbert	D8/316
D704,031 S *	5/2014	Jou	A47B 95/02 D8/317
D718,606 S *	12/2014	Ramsland	D8/315
D737,112 S *	8/2015	Han	D8/316
D763,657 S *	8/2016	Zimmer	D8/317

D779,916 S *	2/2017	Zimmer	D8/317
D788,567 S *	6/2017	Zimmer	D8/317
D790,316 S *	6/2017	Zimmer	D8/316
D879,582 S *	3/2020	Olson	D8/316
D918,618 S *	5/2021	Lazarini	D6/549

OTHER PUBLICATIONS

“Jeffrey Alexander MO6373-128DBAC Pull Belcastel Collection”,
Sep. 10, 2011, Amazon.com, site visited Mar. 18, 2022: <https://www.amazon.com/dp/B005ESL0DE> (Year: 2011).*

“Mulholland 5in Center Bar Pull”, Jun. 14, 2016, Amazon.com, site
visited Mar. 18, 2022: <https://www.amazon.com/dp/B01GWD0NFK>
(Year: 2016).*

(Continued)

Primary Examiner — Jack Reickel

Assistant Examiner — Michael A Kervin

(74) *Attorney, Agent, or Firm* — Varnum LLP

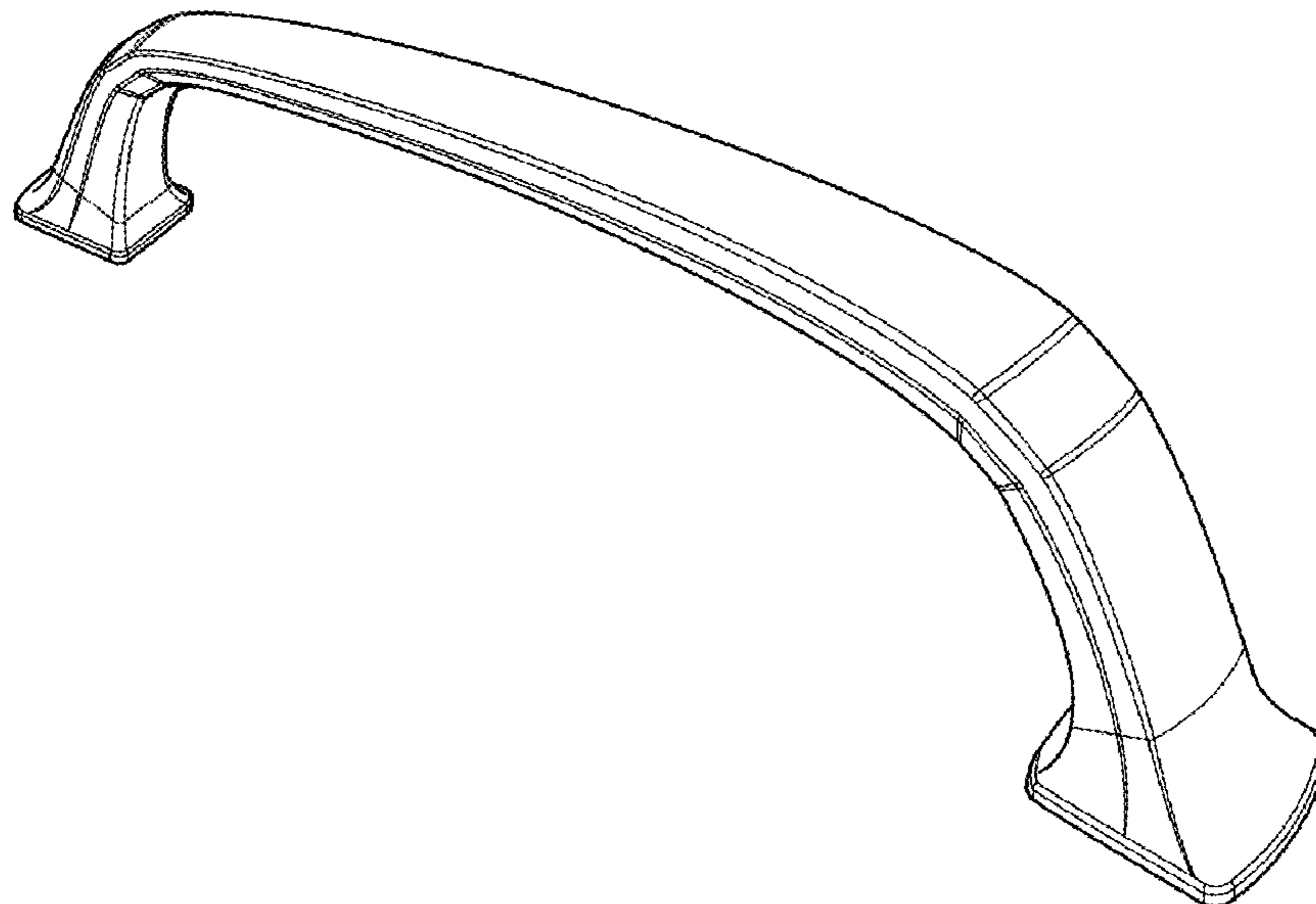
(57) **CLAIM**

I claim the ornamental design for a decorative handle, as
shown and described.

DESCRIPTION

FIG. 1 is a perspective view of a decorative handle;
FIG. 2 is a front view of the decorative handle of FIG. 1;
FIG. 3 is a back view of the decorative handle of FIG. 1;
FIG. 4 is a left side view of the decorative handle of FIG. 1;
FIG. 5 is a right side view of the decorative handle of FIG.
1;
FIG. 6 is a top view of the decorative handle of FIG. 1; and,
FIG. 7 is a bottom view of the decorative handle of FIG. 1.
All broken lines shown in the Figures illustrate portions of
the article that form no part of the claimed design.

1 Claim, 2 Drawing Sheets



(56)

References Cited

OTHER PUBLICATIONS

“Buckeye Hardware 2018—Amerock Revitalize”, May 16, 2018, [issuu.com](https://issuu.com/amishdirectfurniture/docs/2018_bhcatalogretail_lowres), site visited Mar. 18, 2022: https://issuu.com/amishdirectfurniture/docs/2018_bhcatalogretail_lowres (Year: 2018).*

* cited by examiner

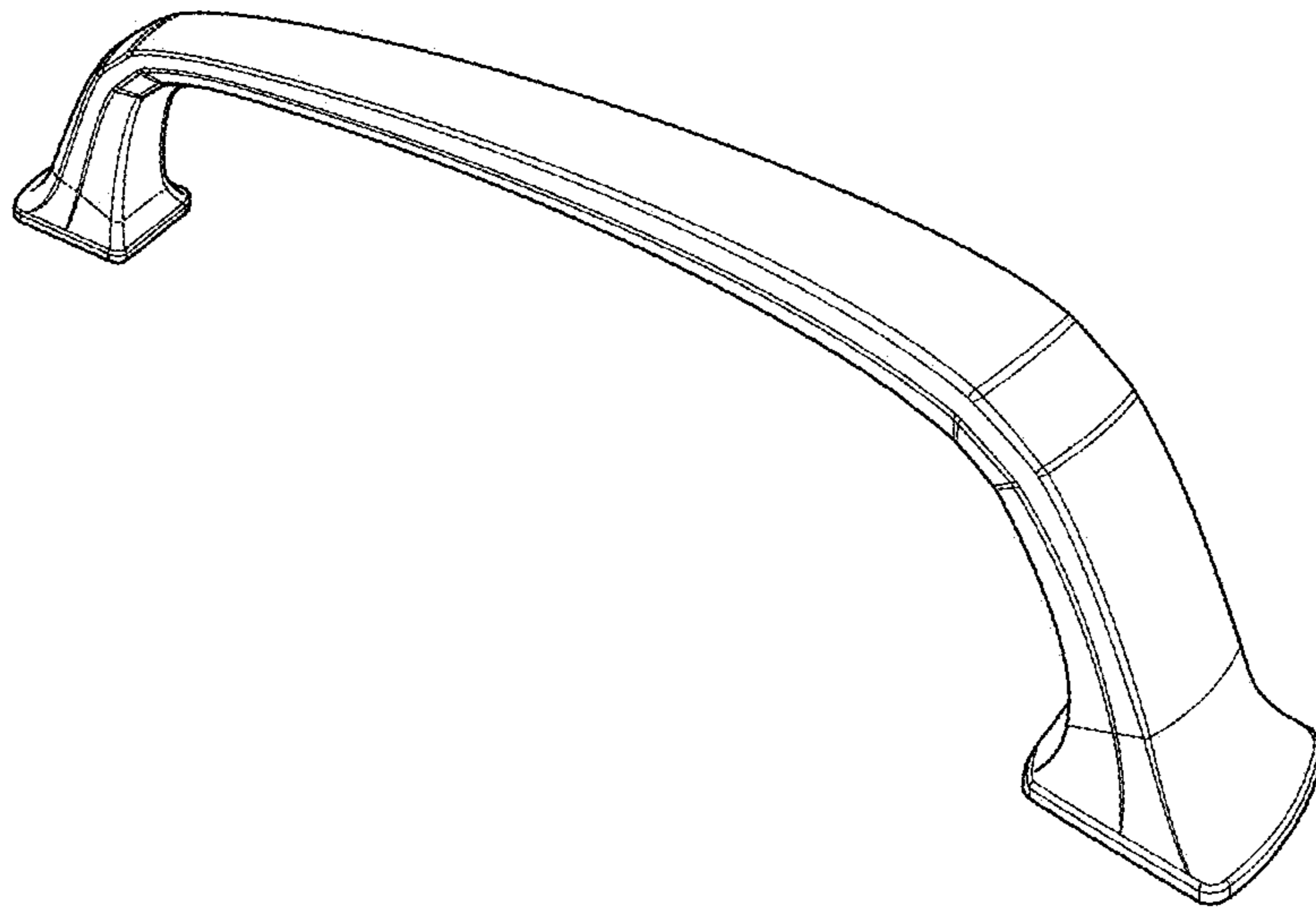


FIG. 1

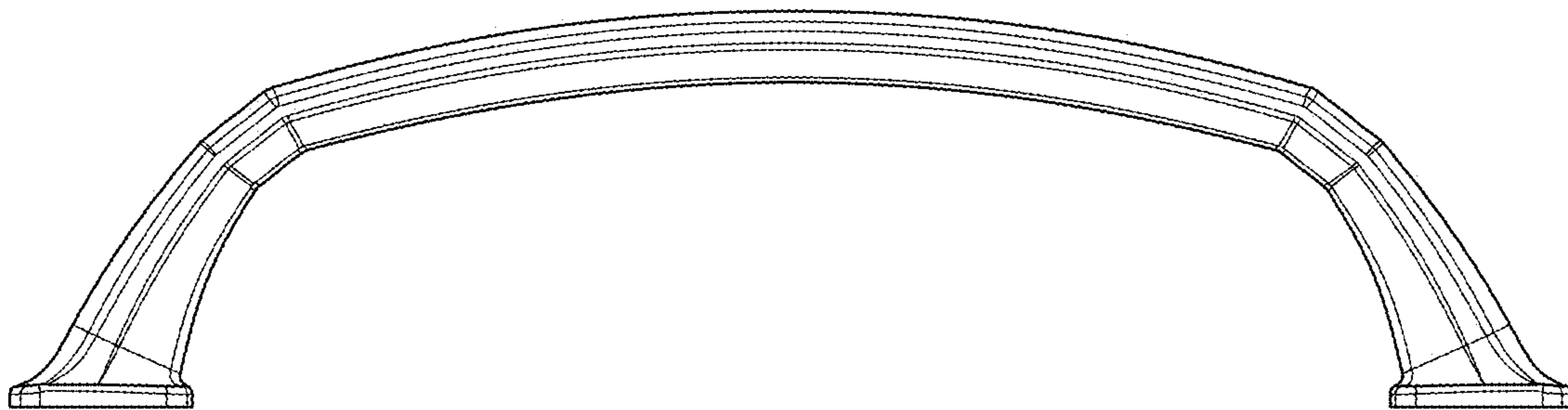


FIG. 2

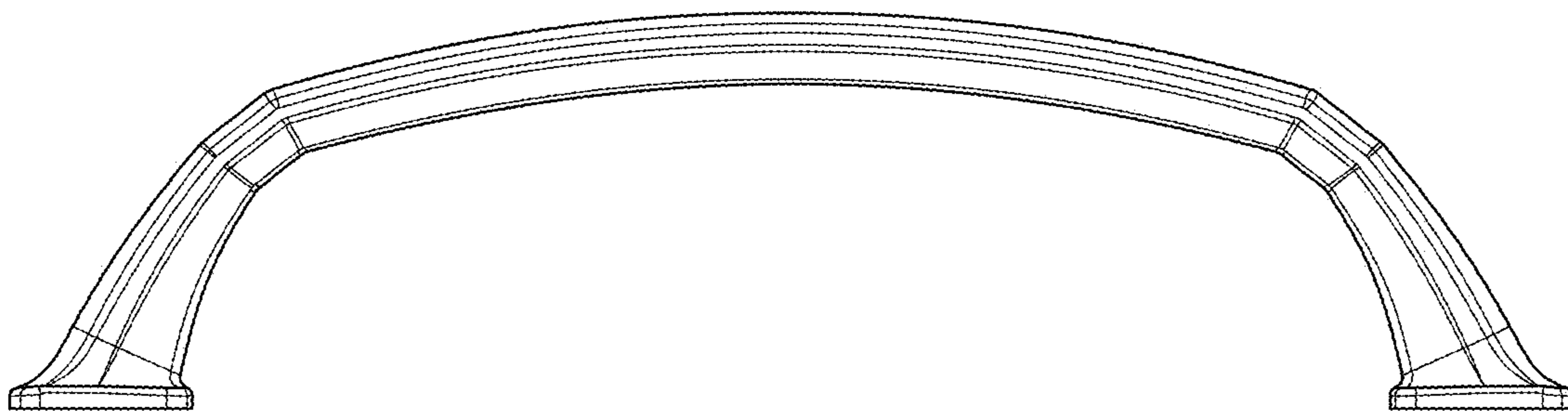


FIG. 3

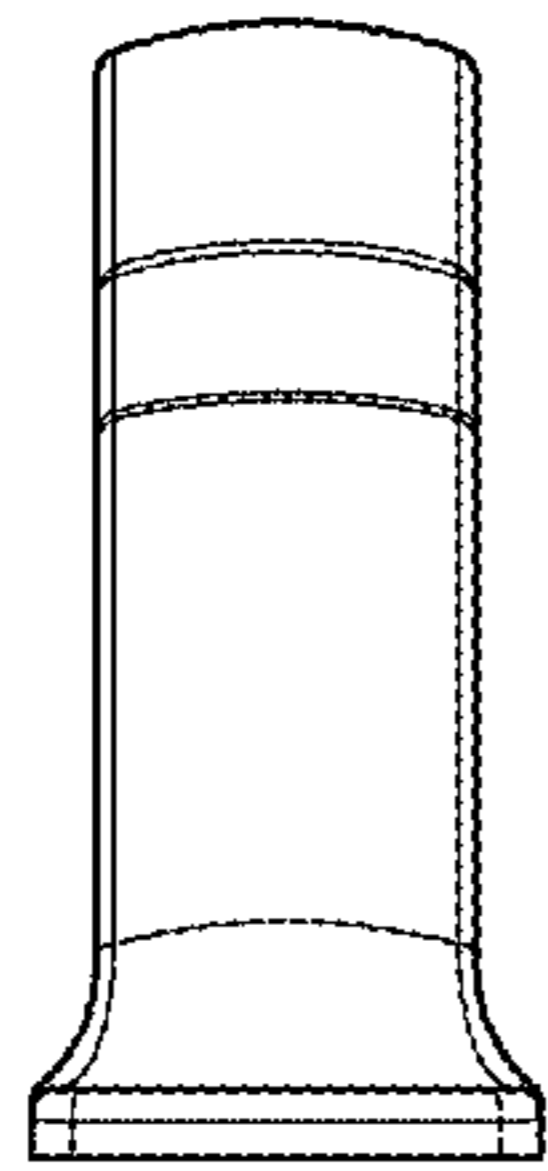


FIG. 4

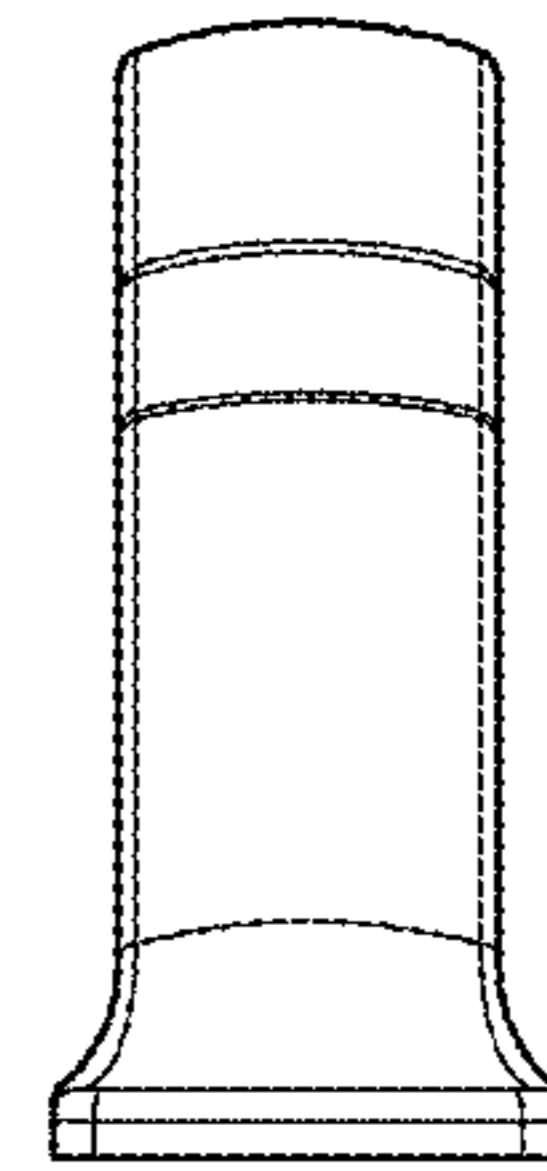


FIG. 5

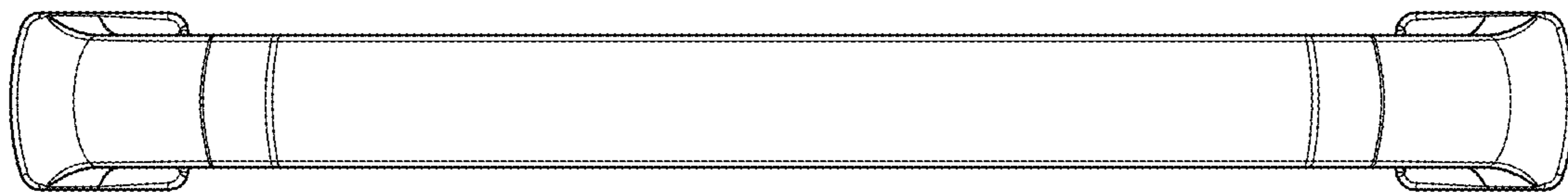


FIG. 6

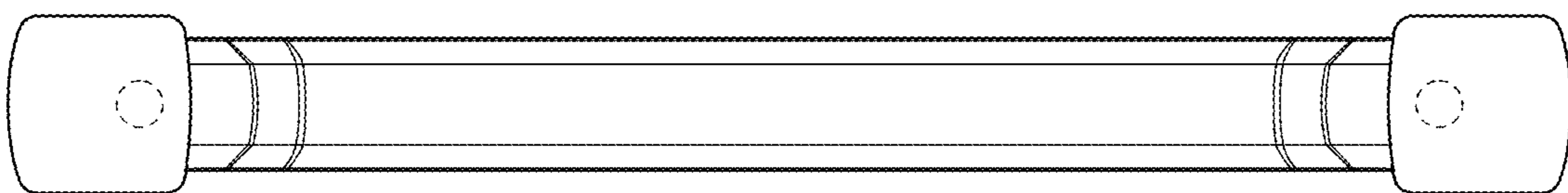


FIG. 7