



US00D962743S

(12) **United States Design Patent** (10) **Patent No.:** **US D962,743 S**
Adkison (45) **Date of Patent:** **** Sep. 6, 2022**

(54) **GRAB BAR**
(71) Applicant: **Acorn Engineering Company**, City of Industry, CA (US)
(72) Inventor: **Christopher T. Adkison**, Ontario, CA (US)

2008/0142462 A1* 6/2008 Whyzel A47K 17/022 4/576.1
2009/0205124 A1* 8/2009 Forrest A47K 3/003 29/428
2013/0270200 A1* 10/2013 Kuhlman A47K 10/04 211/2

(Continued)

(73) Assignee: **Acorn Engineering Company**, City of Industry, CA (US)

OTHER PUBLICATIONS

“Moen R8712D3GBN Home Care 12-Inch Designer Bathroom Grab Bar with Curl Grip”, Jun. 27, 2012, Amazon.com, site visited Mar. 17, 2022: <https://www.amazon.com/Moen-R8712D3GBN-12-Inch-Designer-Bathroom/dp/B0077NCJC0> (Year: 2012).*

(Continued)

(**) Term: **15 Years**

Primary Examiner — Jack Reickel

(21) Appl. No.: **29/756,331**

Assistant Examiner — Michael A Kervin

(22) Filed: **Oct. 27, 2020**

(51) **LOC (13) Cl.** **08-06**

(74) *Attorney, Agent, or Firm* — Eric J. Sosenko; Jonathan P. O’Brien; Hongiman LLP

(52) **U.S. Cl.**

USPC **D8/315**

(58) **Field of Classification Search**

USPC D8/315–316, 319–322
CPC A47B 95/02; A47K 3/003; A47K 17/022; Y10T 16/458; Y10T 16/462

(57) **CLAIM**

The ornamental design for a grab bar, as shown and described.

See application file for complete search history.

DESCRIPTION

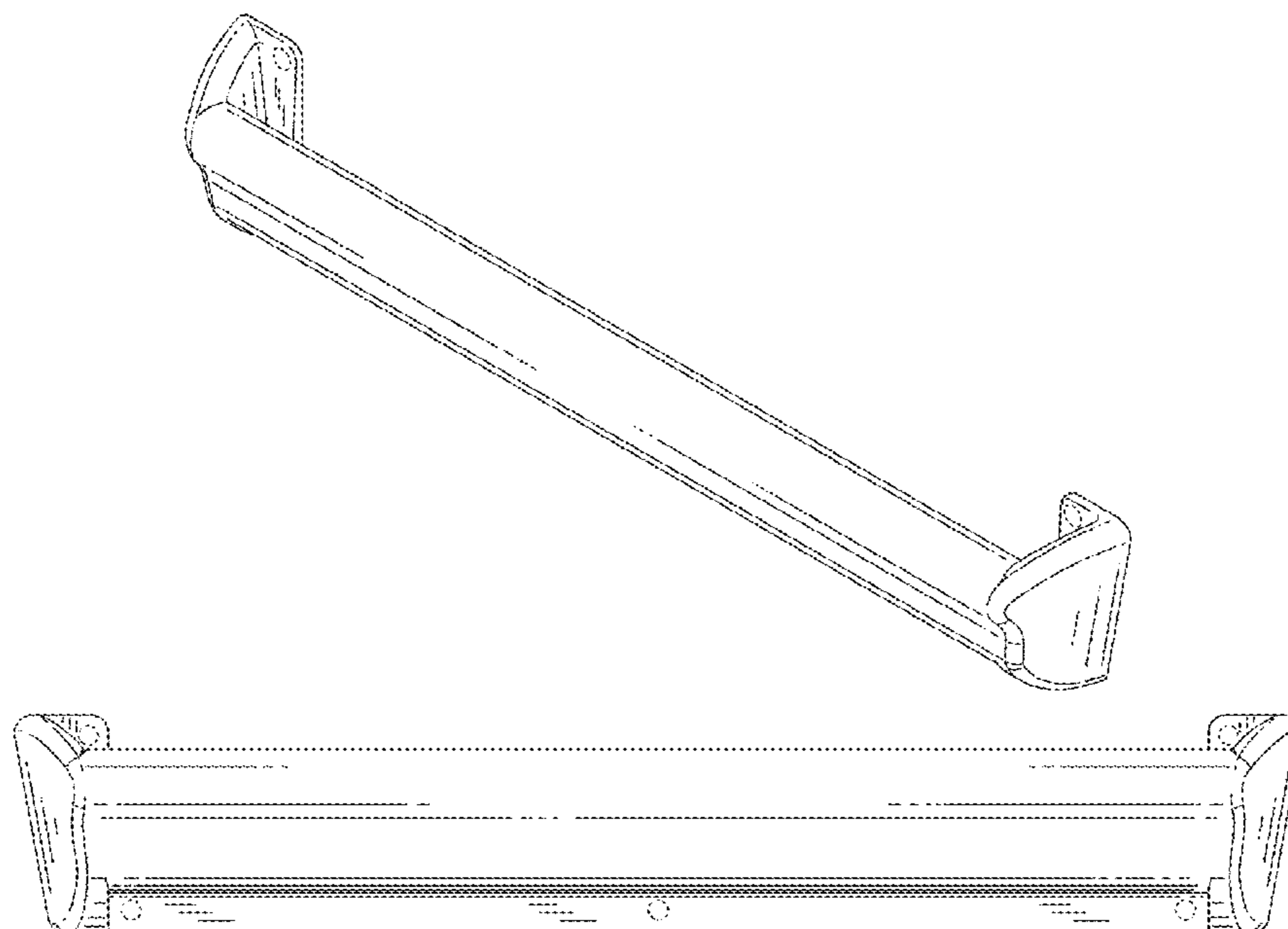
(56) **References Cited**

U.S. PATENT DOCUMENTS

D312,301 S * 11/1990 Brown D23/307
5,050,252 A * 9/1991 Cuttriss A47K 17/022 4/576.1
D597,396 S * 8/2009 Menzies D8/315
D744,312 S * 12/2015 Waggoner D8/316
D823,229 S * 7/2018 Chiang D12/412
D856,074 S * 8/2019 Kim D8/316
D856,628 S * 8/2019 Molnar D8/315
D867,852 S * 11/2019 Chellappan D8/315
D901,276 S * 11/2020 Berberet D8/315
D925,329 S * 7/2021 Spurrier D8/316
D929,930 S * 9/2021 Park D12/406

FIG. 1 is a perspective view of a grab bar showing my new design;
FIG. 2 is a front elevational view of the grab bar seen in FIG. 1;
FIG. 3 is a rear elevational view of the grab bar seen in FIG. 1;
FIG. 4 is a right side elevational view of the grab bar seen in FIG. 1, the left side elevational view being a mirror image thereof;
FIG. 5 is a top plan view of the grab bar seen in FIG. 1; and,
FIG. 6 is a bottom plan view of the grab bar seen in FIG. 1. In the drawings, the broken lines depict portions of the grab bar that form no part of the claimed design.

1 Claim, 3 Drawing Sheets



(56)

References Cited

U.S. PATENT DOCUMENTS

2016/0135649 A1* 5/2016 Millerd A47K 17/022
4/555
2016/0338557 A1* 11/2016 O'Brien A47K 17/02
2017/0022717 A1* 1/2017 Amendolea E04F 11/1804
2020/0149286 A1* 5/2020 deLoache, III A47K 17/022
2020/0154950 A1* 5/2020 Millerd A47K 3/003
2021/0259477 A1* 8/2021 Schlabach A47K 3/003

OTHER PUBLICATIONS

“Moen MBHG3818BN Genta 18in Bathroom Grab Bar”, Jan. 1, 2019, Amazon.com, site visited Mar. 17, 2022: <https://www.amazon.com/dp/B087CM2TQ3> (Year: 2012).*

* cited by examiner

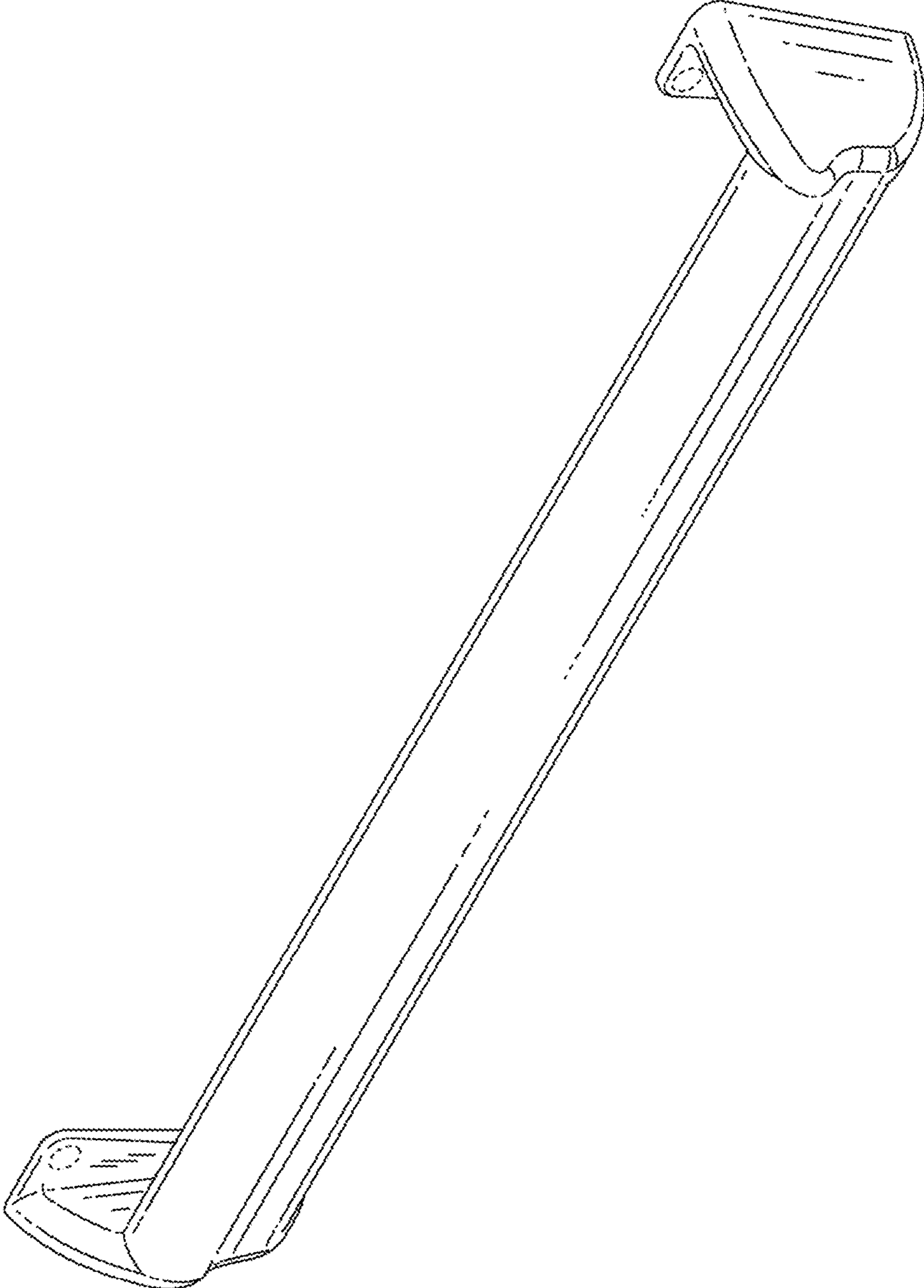


FIG. 1



FIG. 2

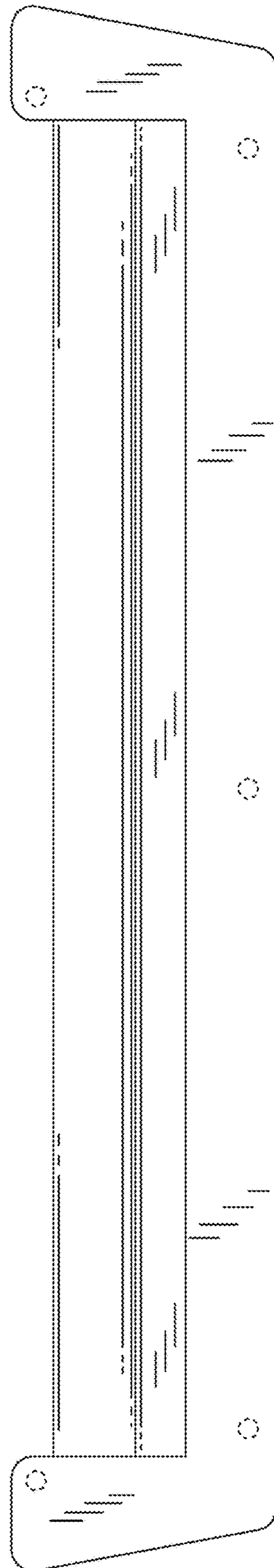


FIG. 3

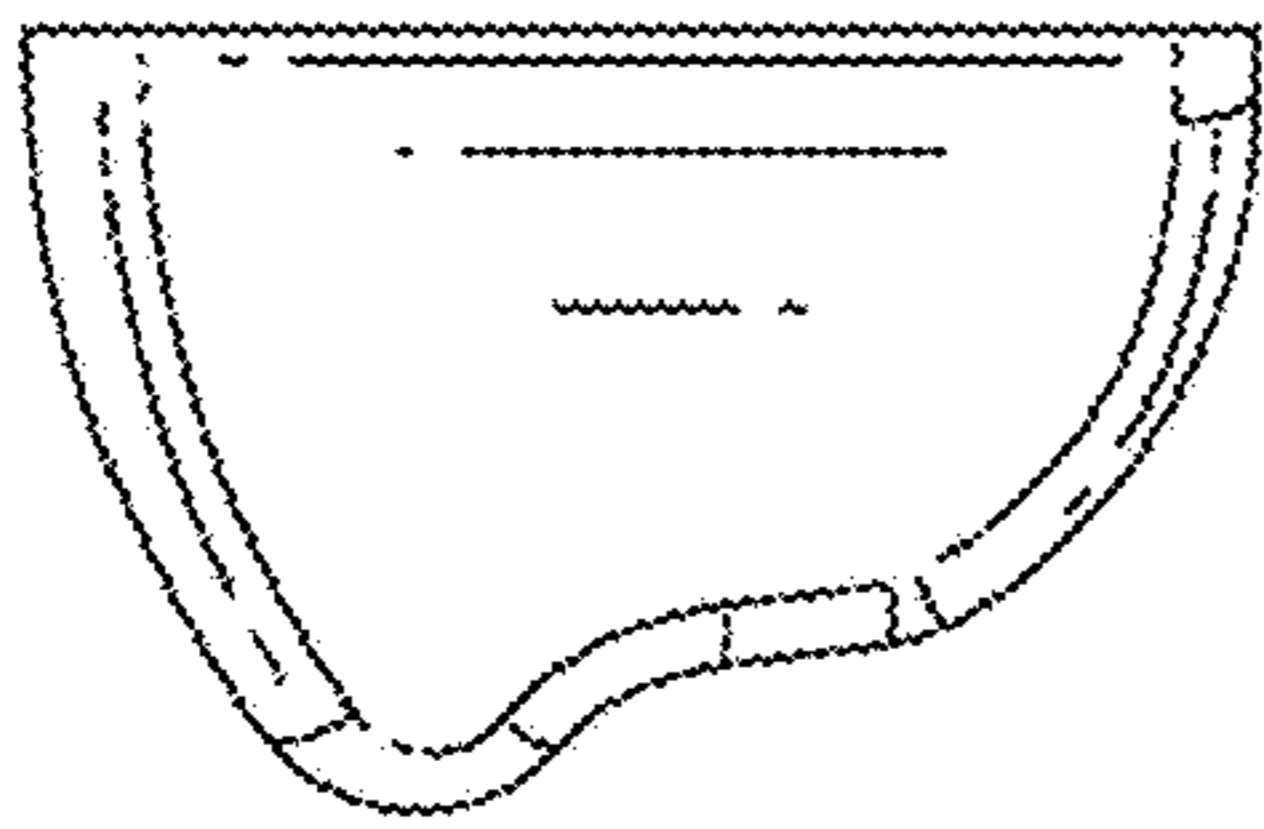


FIG. 4

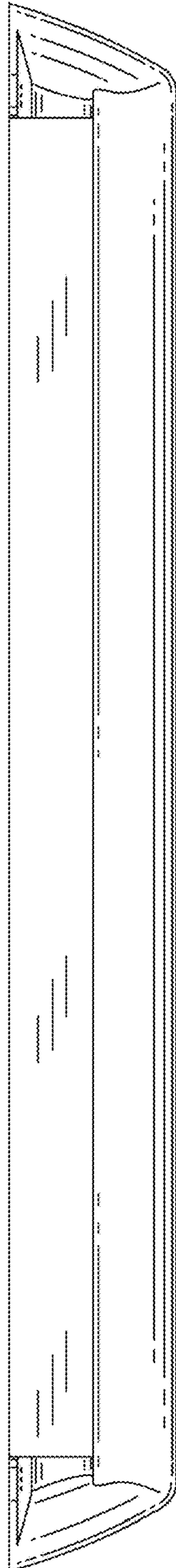


FIG. 5

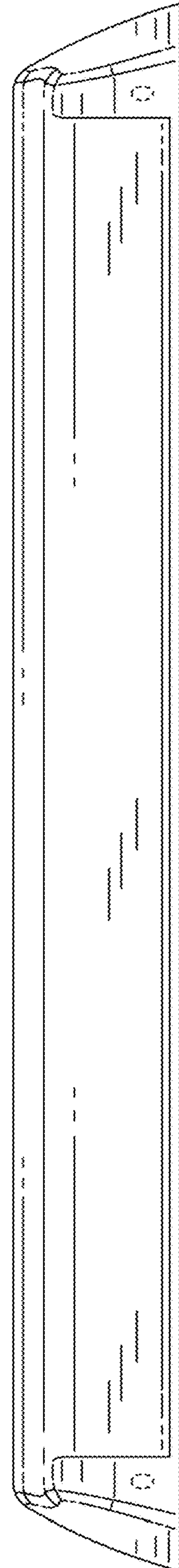


FIG. 6