



US00D962741S

(12) **United States Design Patent**
Cai

(10) **Patent No.:** **US D962,741 S**

(45) **Date of Patent:** **** Sep. 6, 2022**

(54) **CABINET PULL HANDLE**

(71) Applicant: **Weidan Cai**, Zhejiang (CN)

(72) Inventor: **Weidan Cai**, Zhejiang (CN)

(**) Term: **15 Years**

(21) Appl. No.: **29/817,650**

(22) Filed: **Dec. 2, 2021**

(51) **LOC (13) Cl.** **08-06**

(52) **U.S. Cl.**
USPC **D8/307**

(58) **Field of Classification Search**
USPC D8/300, 307, 310; D7/393; D23/250,
D23/252, 254
CPC ... Y10T 292/57; Y10T 16/469; Y10T 292/82;
Y10T 74/2084; Y10T 292/85; Y10T
16/458; Y10T 16/506; Y10T 70/5155;
Y10T 16/46; Y10T 16/4559; Y10T
74/20828; Y10T 70/8541; Y10T
74/20612; Y10T 16/459; Y10T 16/487;
Y10T 70/5389; Y10T 16/462; Y10T
16/4636; E05B 1/0007; E05B 3/00; Y10S
16/30; Y10S 292/53; Y10S 292/27
See application file for complete search history.

(56) **References Cited**

U.S. PATENT DOCUMENTS

2,796,627 A * 6/1957 Heyer E05B 1/0015
411/959
4,790,208 A * 12/1988 Johnson G05G 1/12
411/189

D570,184 S * 6/2008 Ricereto D8/307
D606,381 S * 12/2009 Menzies D8/307
D680,408 S * 4/2013 Han D8/307
D708,040 S * 7/2014 Han A47B 95/02
D8/307
D718,603 S * 12/2014 Ramsland D8/307
D729,033 S * 5/2015 Zimmer D8/307
D772,683 S * 11/2016 Han D8/307
D833,249 S * 11/2018 Lowe D8/307
D880,979 S * 4/2020 Bunn et al.
D903,461 S * 12/2020 Watson D8/307
D918,693 S * 5/2021 Livengood et al.

* cited by examiner

Primary Examiner — Lauren R Calve
(74) *Attorney, Agent, or Firm* — ScienBiziP, P.C.

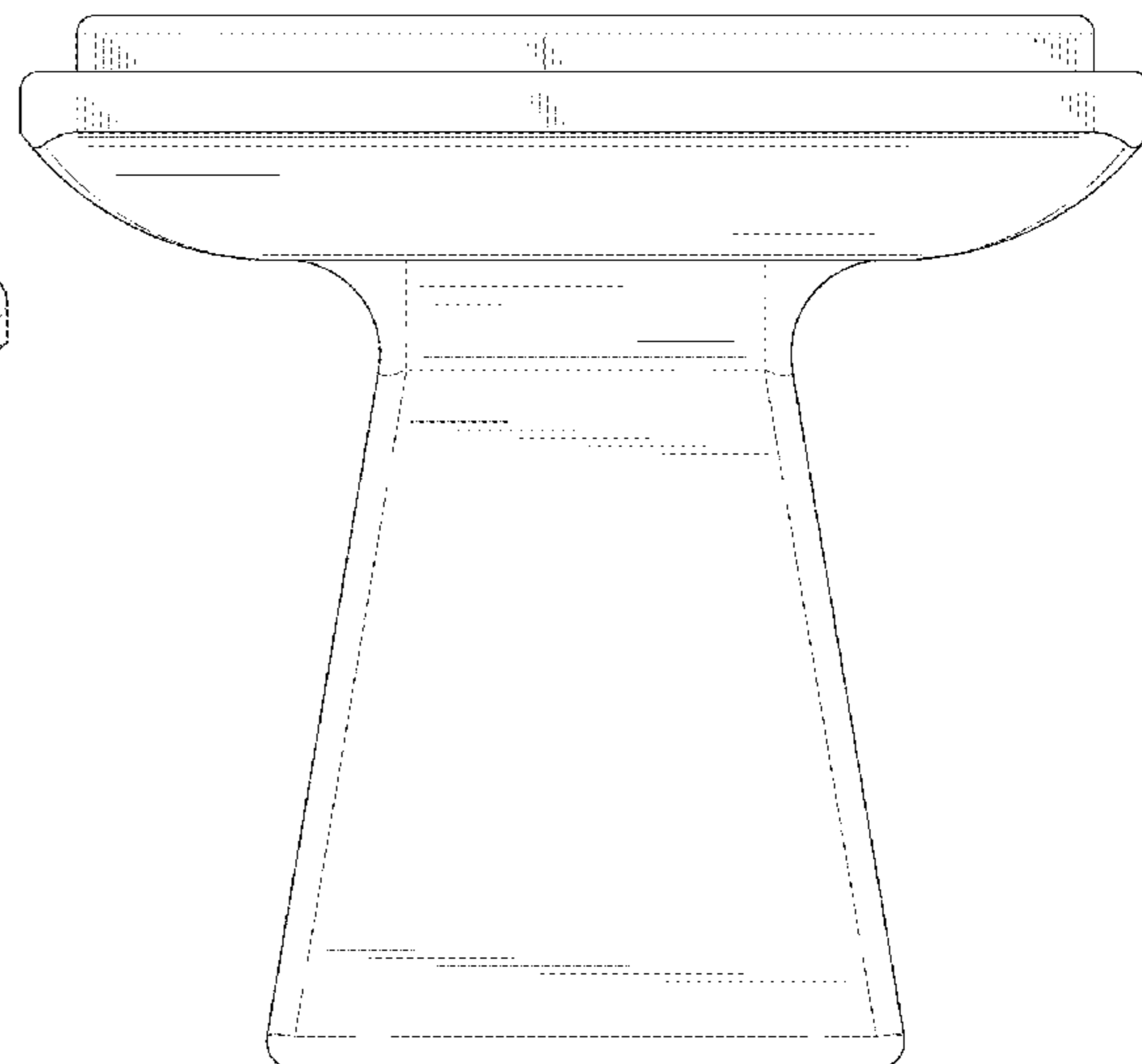
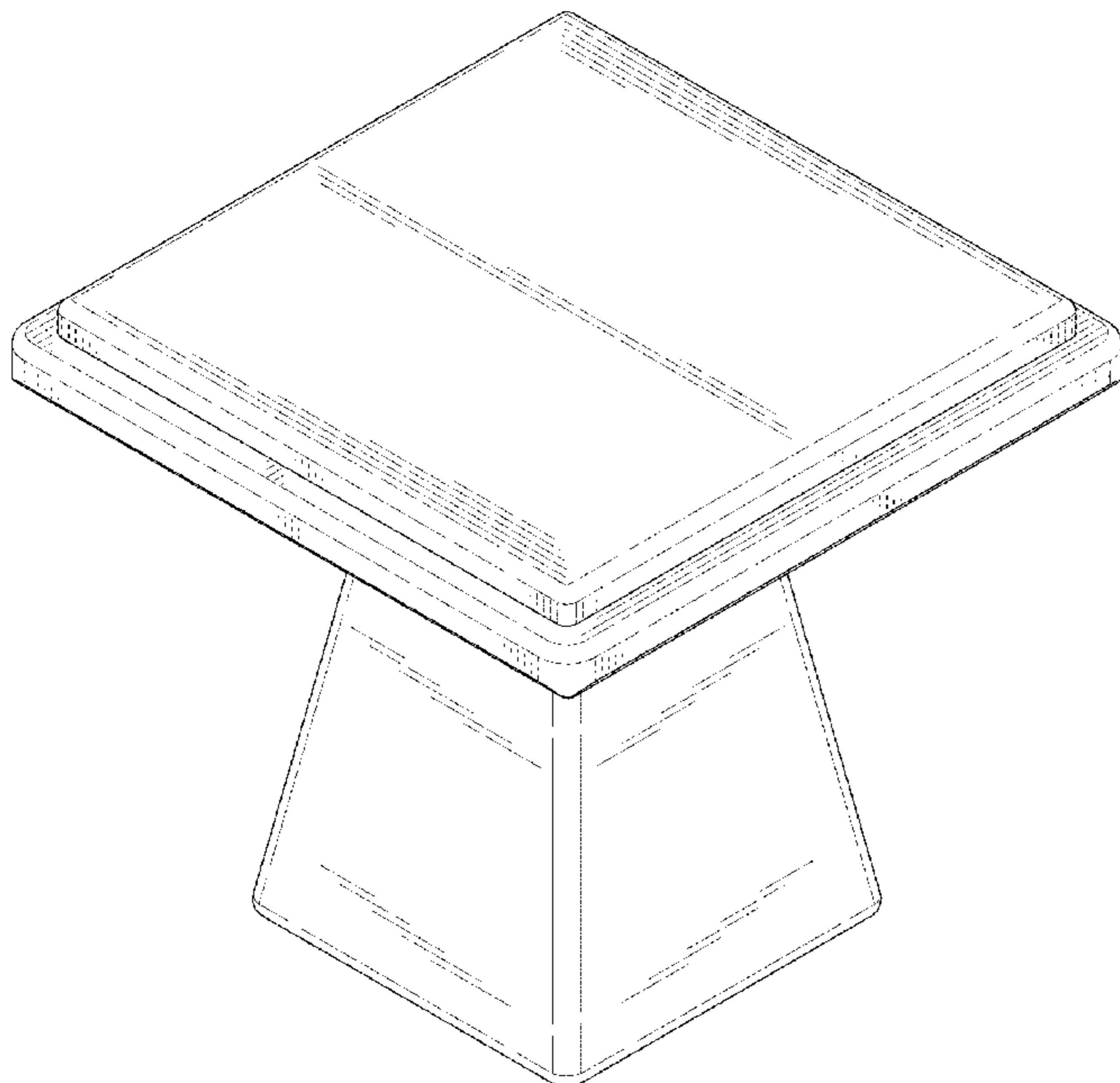
(57) **CLAIM**

The ornamental design for a cabinet pull handle, as shown and described.

DESCRIPTION

FIG. 1 is a front, right, and top perspective view of a cabinet pull handle, showing my design.
FIG. 2 is a rear, left, and bottom perspective view thereof.
FIG. 3 is a front elevation view thereof.
FIG. 4 is a rear elevation view thereof.
FIG. 5 is a left side elevation view thereof.
FIG. 6 is a right side elevation view thereof.
FIG. 7 is a top plan view thereof; and,
FIG. 8 is a bottom plan view thereof.
The broken lines shown in the drawings are included for the purpose of illustrating portions of the cabinet pull handle that form no part of the claimed design.

1 Claim, 8 Drawing Sheets



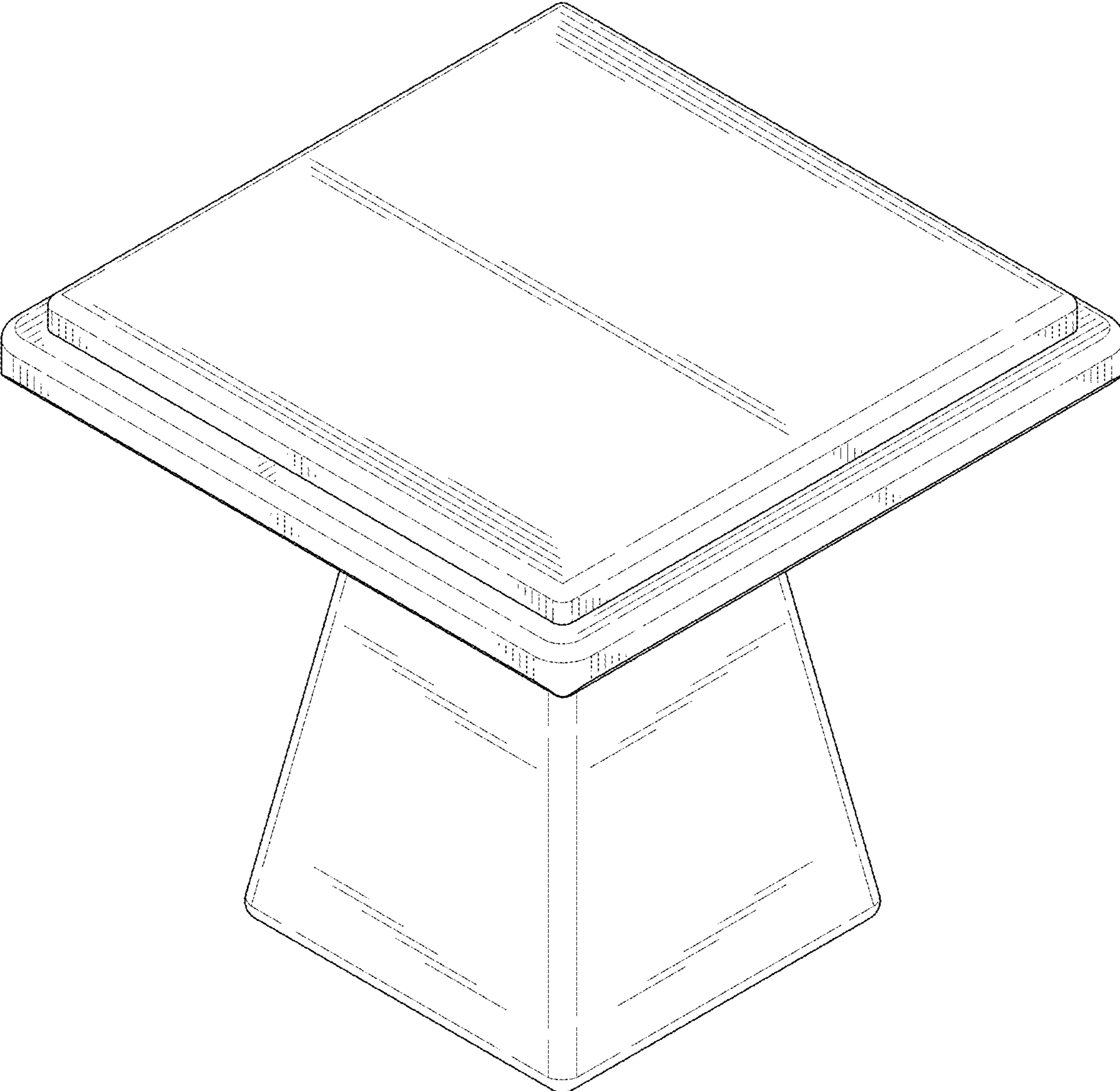


FIG. 1

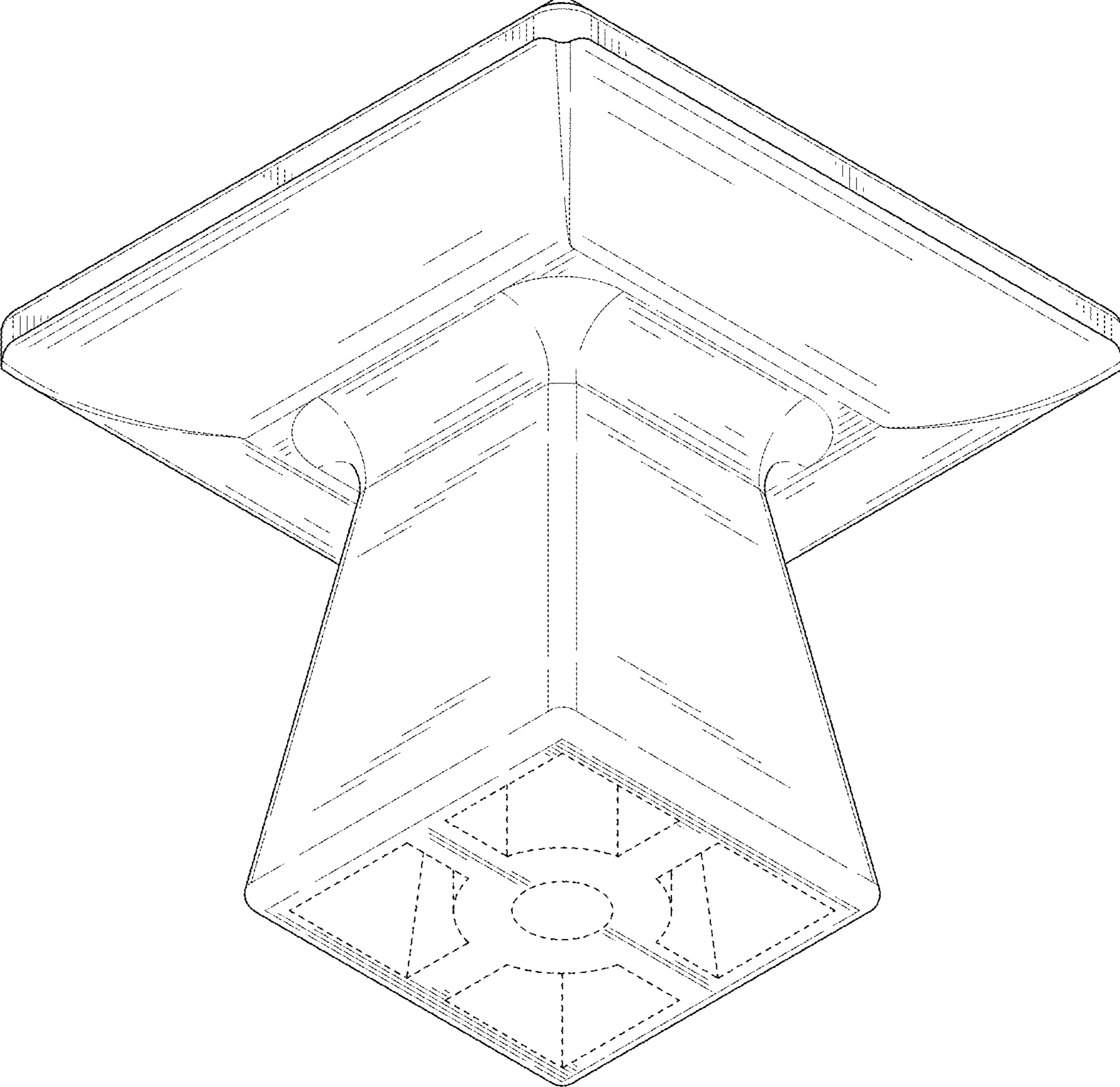


FIG. 2

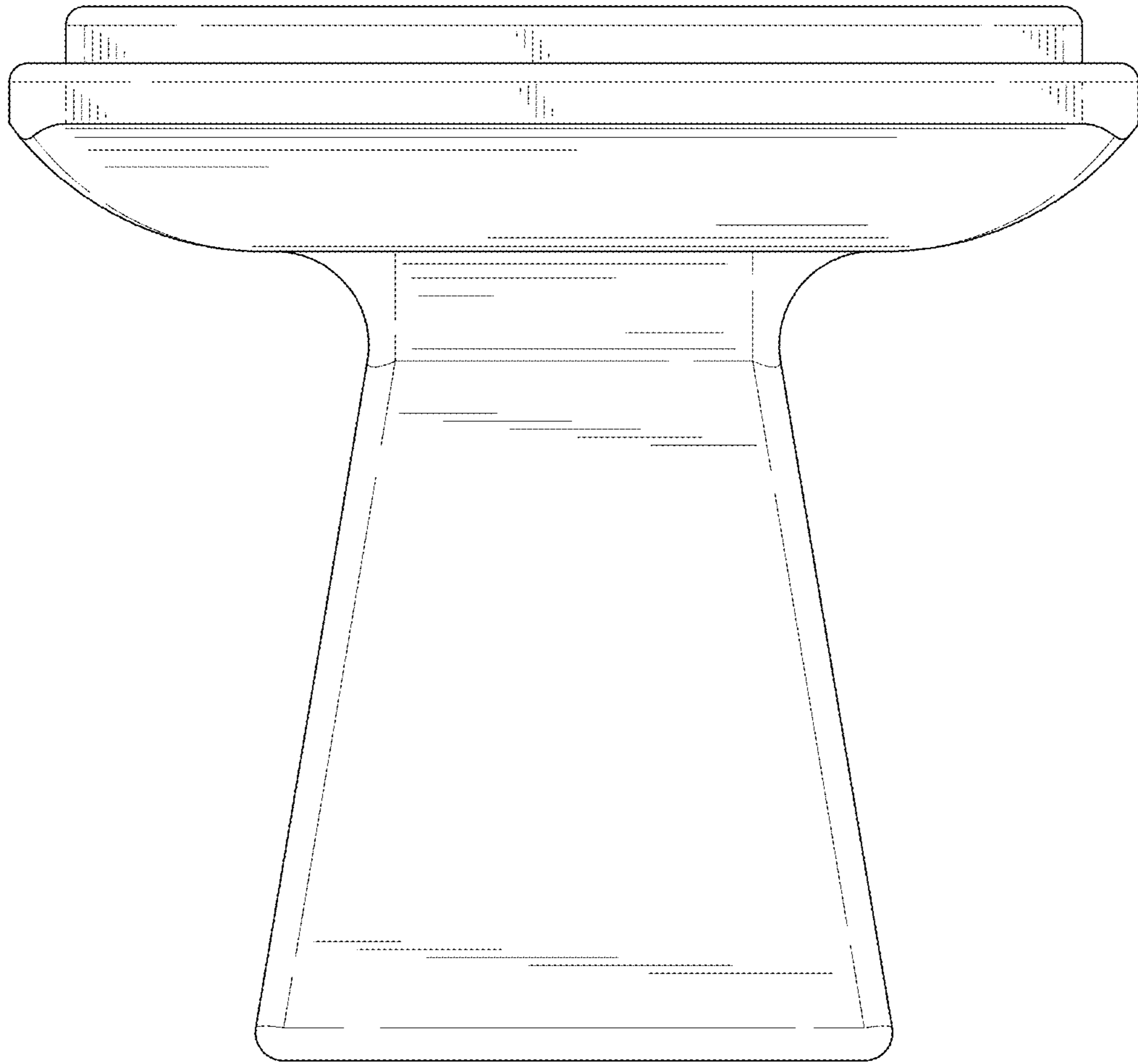


FIG. 3

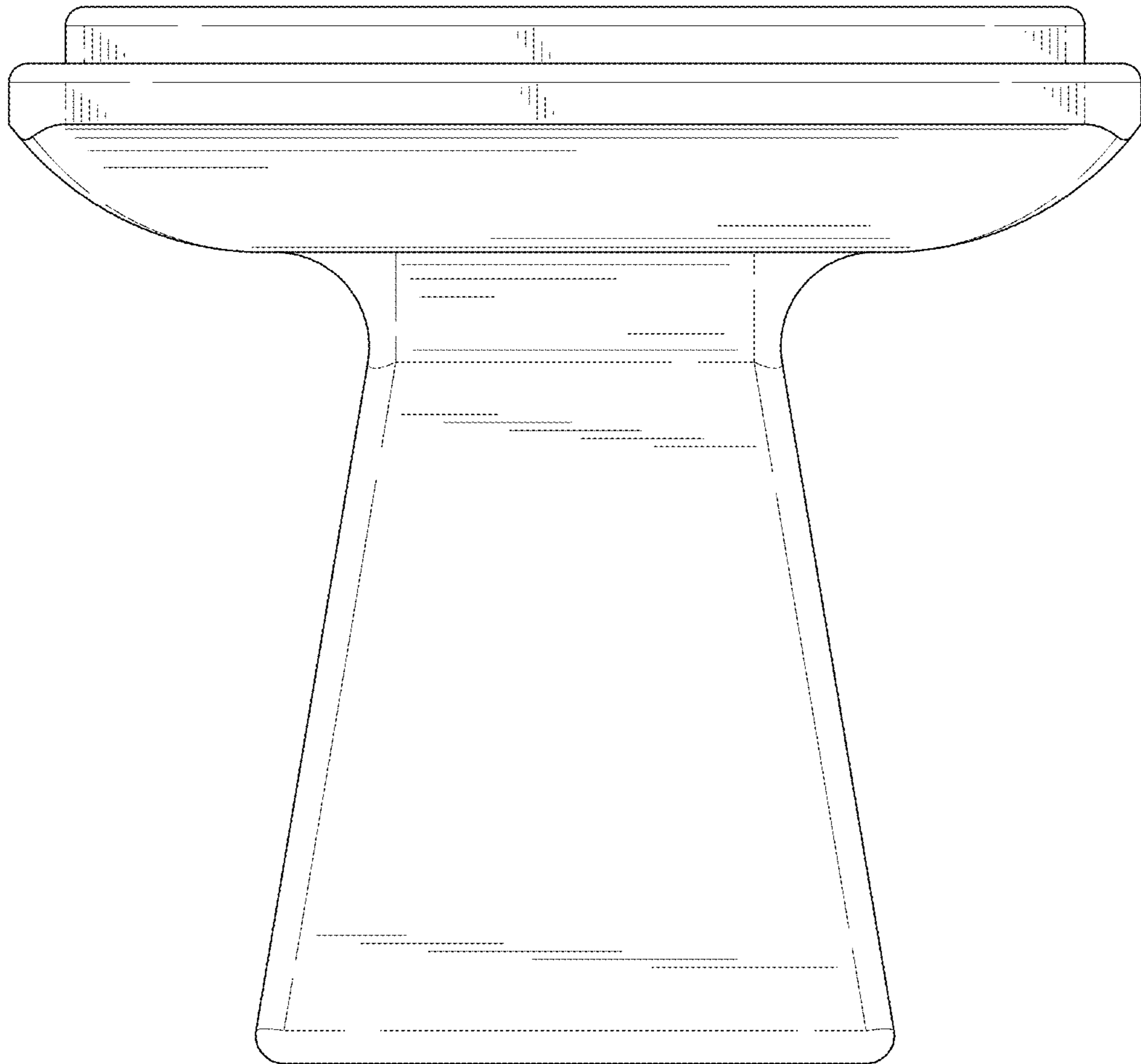


FIG. 4

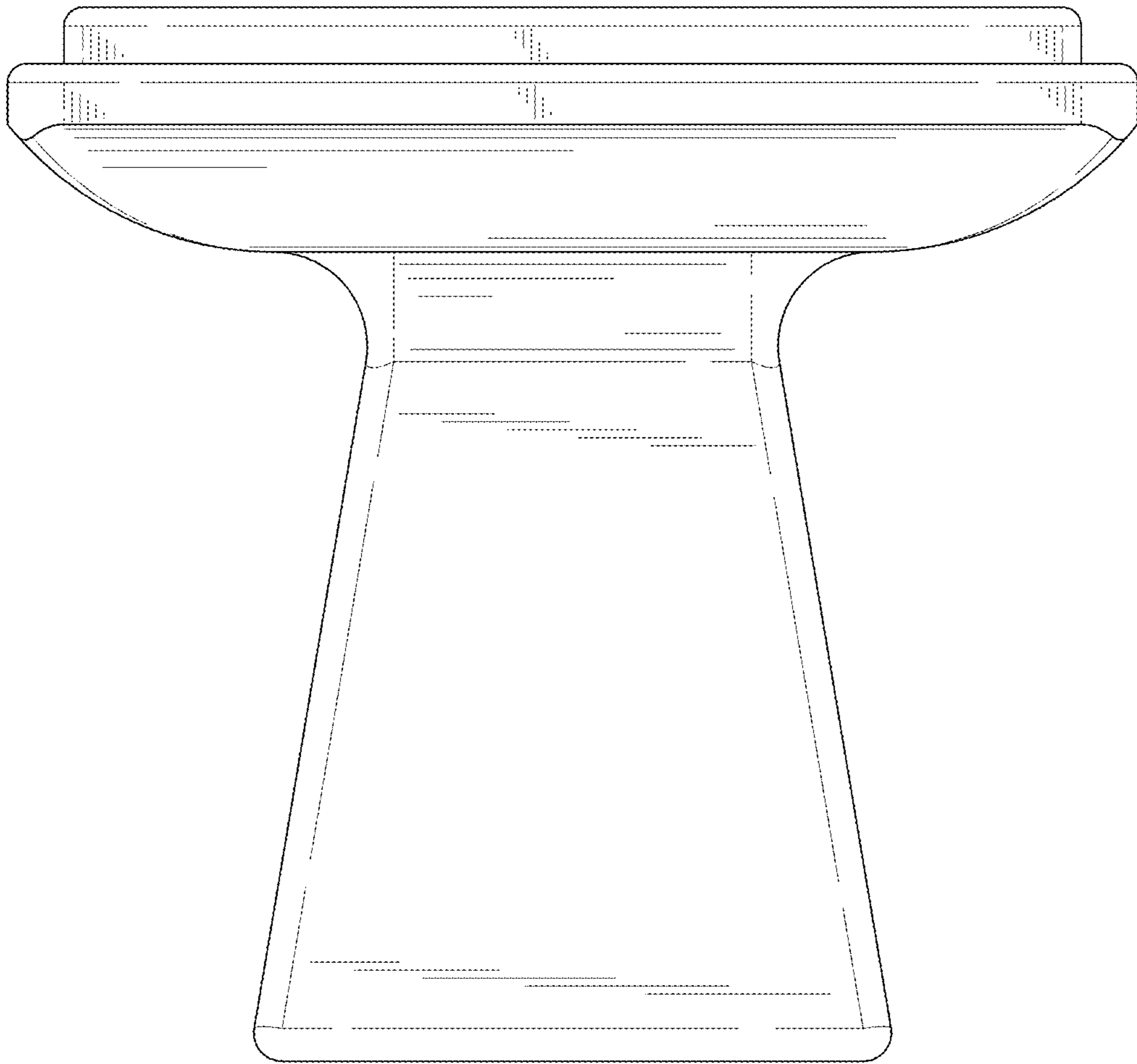


FIG. 5

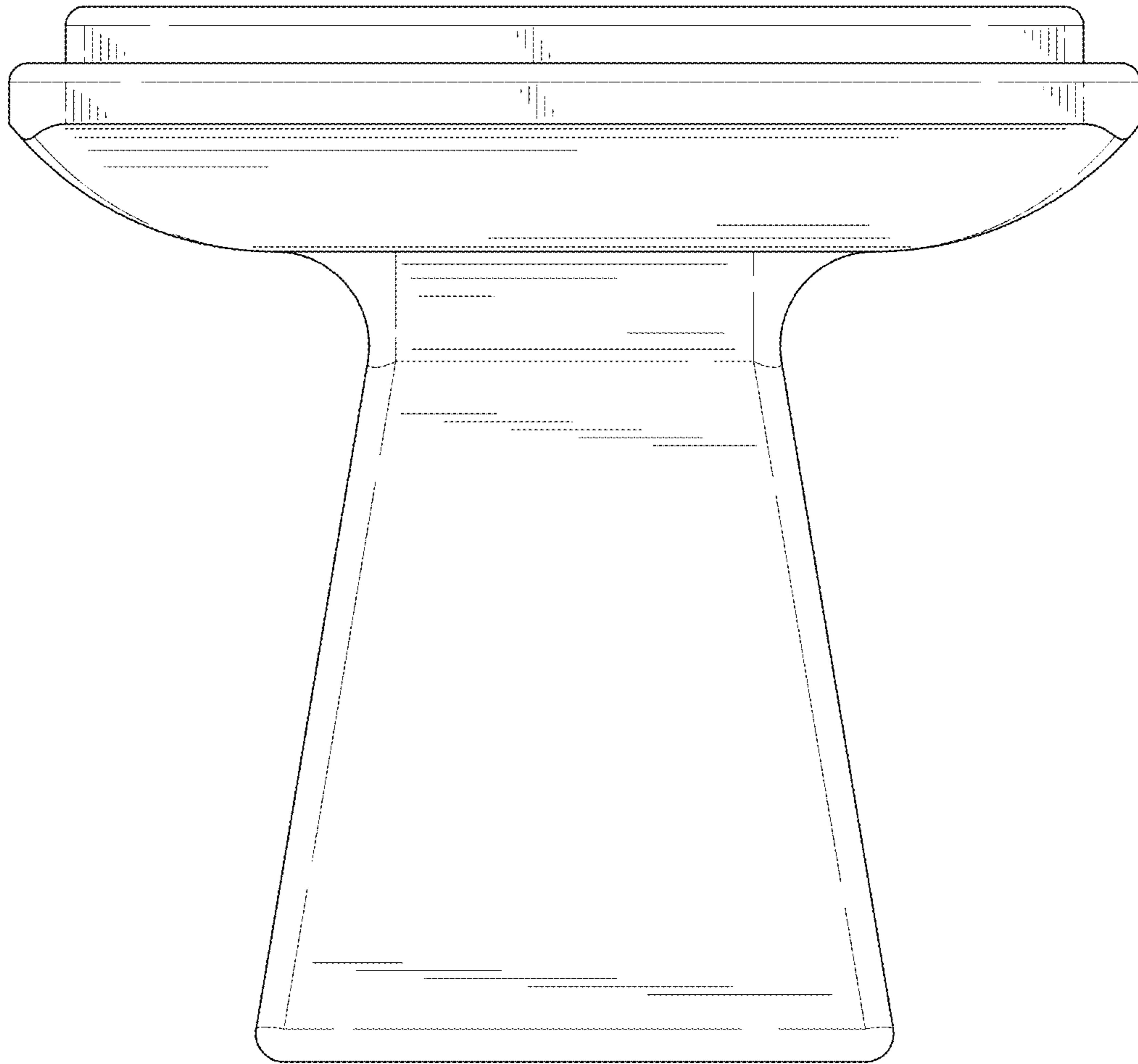


FIG. 6

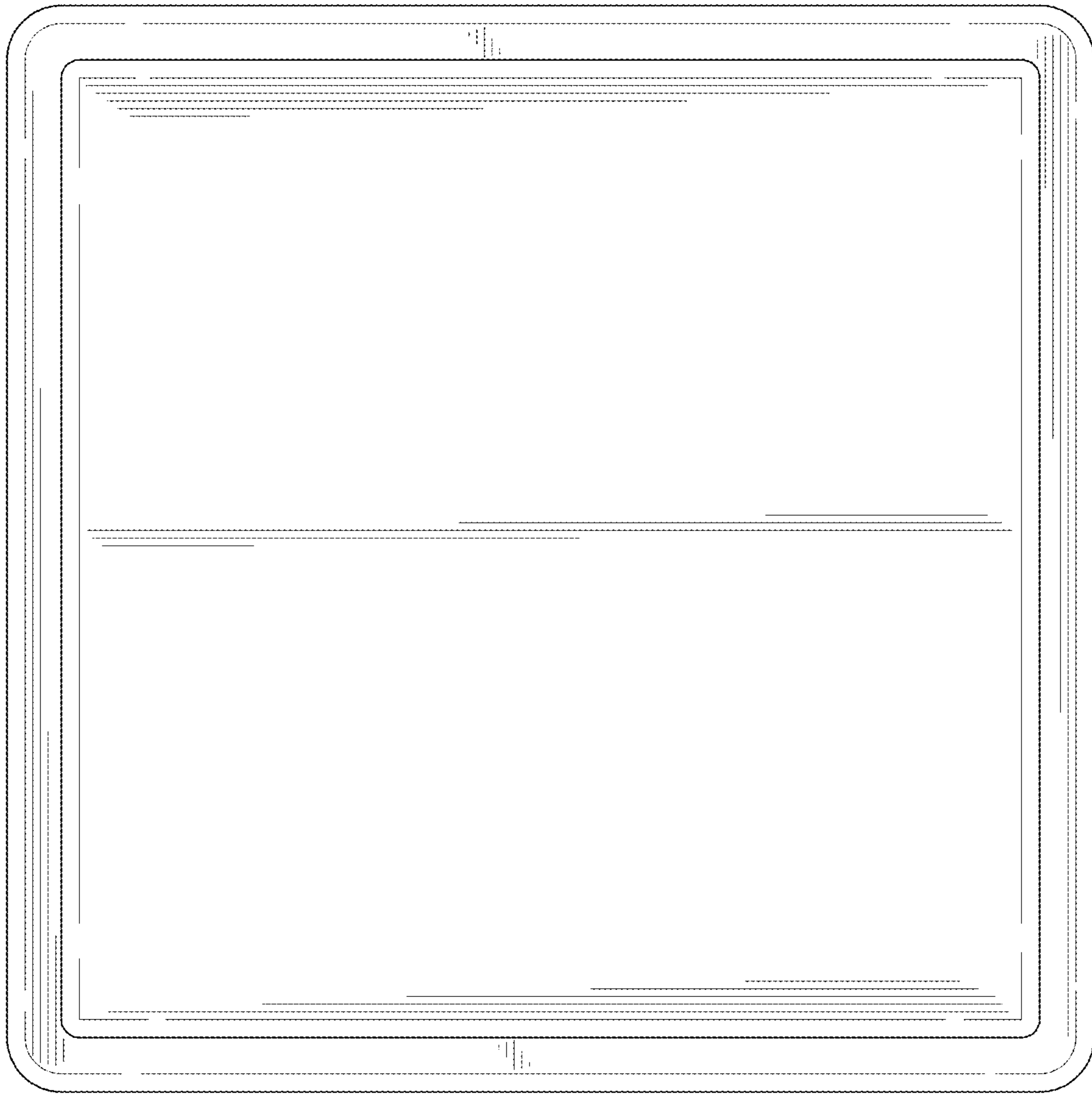


FIG. 7

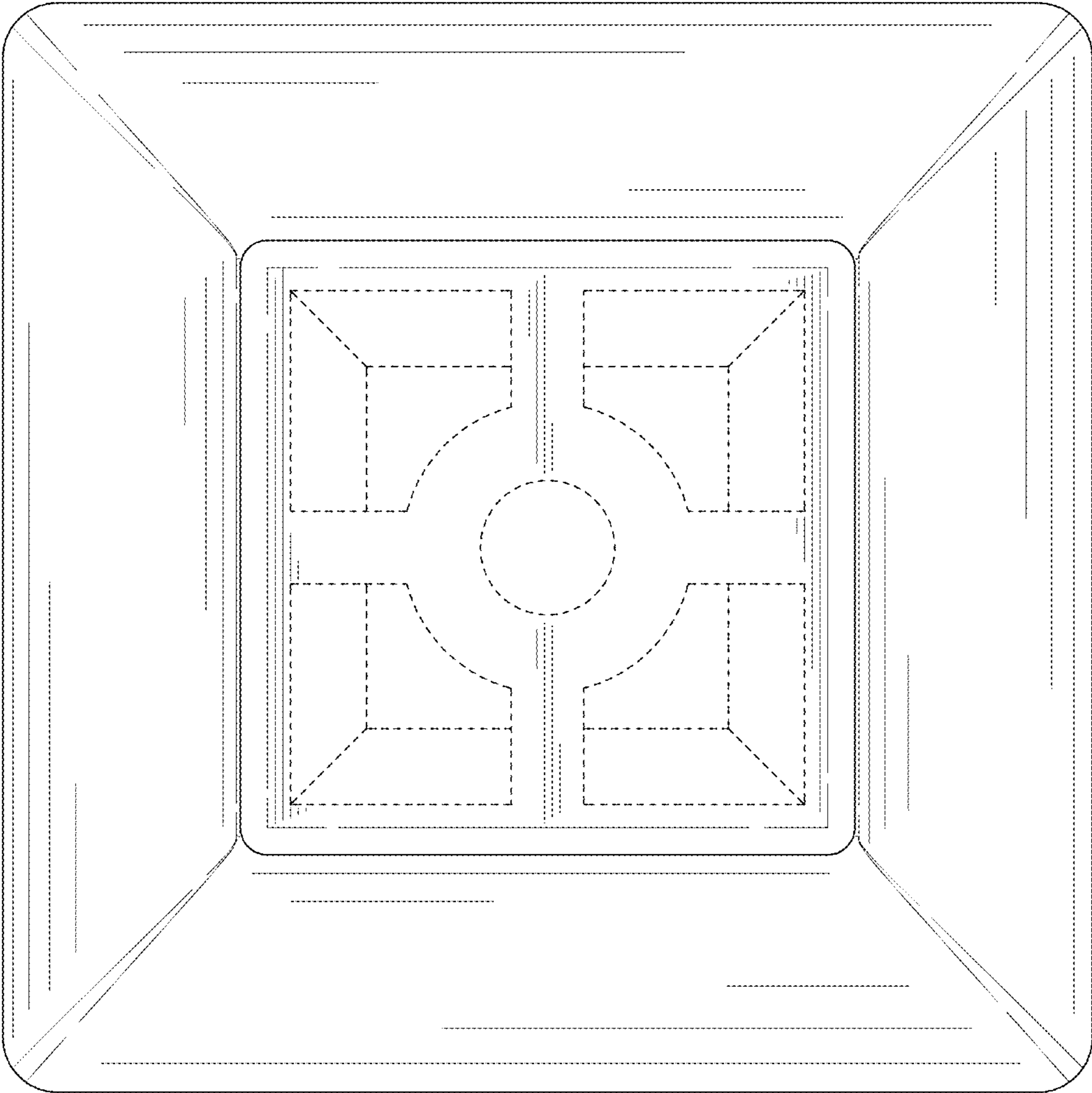


FIG. 8