



US00D962740S

(12) **United States Design Patent** (10) **Patent No.:** **US D962,740 S**  
**Fu** (45) **Date of Patent:** **\*\* Sep. 6, 2022**

(54) **MULTIFUNCTIONAL TOOL**  
(71) Applicant: **Yingxiang Fu**, Yangjiang (CN)  
(72) Inventor: **Yingxiang Fu**, Yangjiang (CN)  
(\*\*) Term: **15 Years**  
(21) Appl. No.: **29/741,432**  
(22) Filed: **Jul. 13, 2020**  
(51) **LOC (13) Cl.** ..... **08-05**  
(52) **U.S. Cl.**  
USPC ..... **D8/105; D8/81; D8/75**  
(58) **Field of Classification Search**  
USPC ..... **D8/75, 76, 81, 105**  
CPC ..... **B25F 1/04; B25F 1/006; A62B 3/005**  
See application file for complete search history.

ForChic Hammer Multi Tool 12 in 1, Sep. 26, 2020, <[https://www.amazon.com/dp/B08JHV66N1/ref=cm\\_sw\\_em\\_r\\_mt\\_dp\\_QRR0Y26671EM3Y4QWNBF](https://www.amazon.com/dp/B08JHV66N1/ref=cm_sw_em_r_mt_dp_QRR0Y26671EM3Y4QWNBF)> (Year: 2020).\*  
LOKMAN 12 in 1 Stainless Steel Handy Camping Survival Tool, Sep. 9, 2019, <[https://www.amazon.com/dp/B085C2DKT8/ref=cm\\_sw\\_em\\_r\\_mt\\_dp\\_DPPD74Z2VZTNSRKTE56W](https://www.amazon.com/dp/B085C2DKT8/ref=cm_sw_em_r_mt_dp_DPPD74Z2VZTNSRKTE56W)> (Year: 2019).\*

\* cited by examiner

*Primary Examiner* — Janice Hallmark

(57) **CLAIM**

The ornamental design for a multifunctional tool, as shown and described.

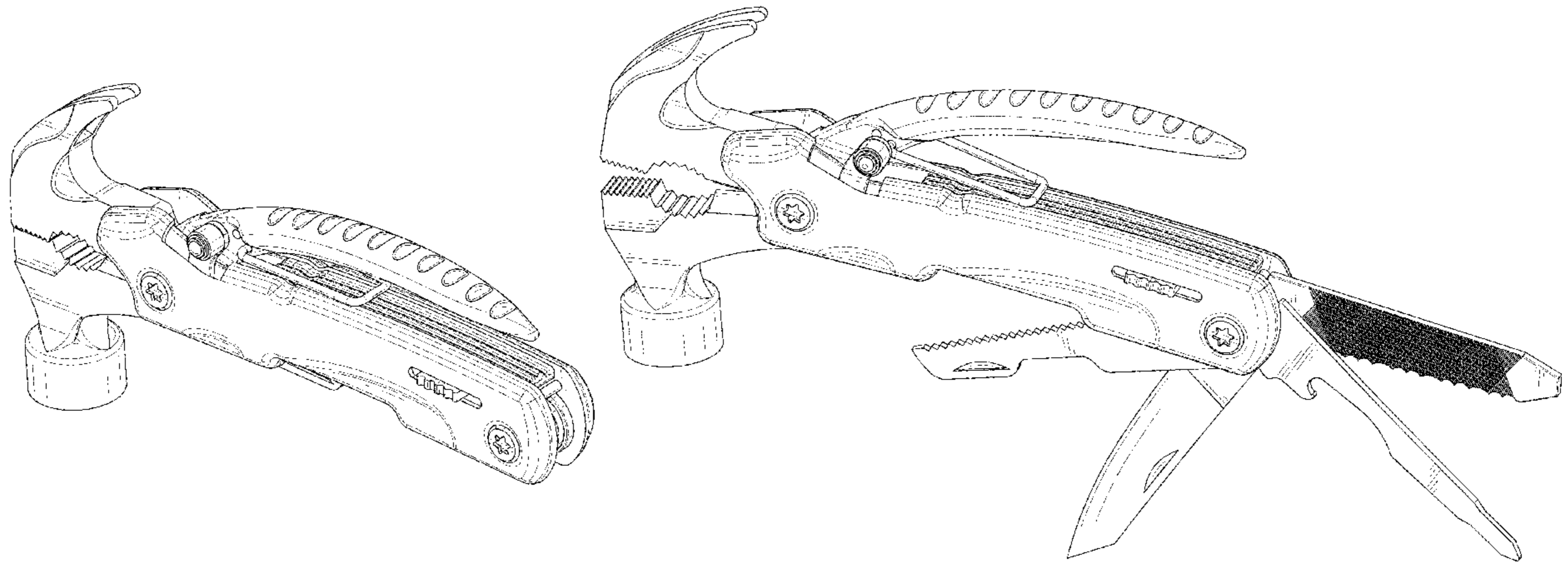
(56) **References Cited**  
**U.S. PATENT DOCUMENTS**  
D419,050 S \* 1/2000 Lin ..... D8/55  
D419,418 S \* 1/2000 Lin ..... D8/55  
D429,987 S \* 8/2000 Hung ..... D8/81  
D808,764 S \* 1/2018 Weinberger ..... D8/105  
D915,861 S \* 4/2021 Zhong ..... D8/75  
D933,446 S \* 10/2021 Liu ..... D8/81  
D934,648 S \* 11/2021 Tompkin ..... D8/105  
D950,351 S \* 5/2022 Li ..... D8/81  
D951,056 S \* 5/2022 Li ..... D8/105  
2018/0311803 A1 \* 11/2018 Hertaus ..... B23D 51/10

**OTHER PUBLICATIONS**  
RAK Hammer Multi-Tool, Mar. 1, 2020, Amazon, <[https://www.amazon.com/dp/B085BWMT89/ref=cm\\_sw\\_em\\_r\\_mt\\_dp\\_22HTYH5AXC6DY0PP1SFD](https://www.amazon.com/dp/B085BWMT89/ref=cm_sw_em_r_mt_dp_22HTYH5AXC6DY0PP1SFD)> (Year: 2020).\*

**DESCRIPTION**

FIG. 1 is a front, right side, top perspective view of a multifunctional tool showing my new design;  
FIG. 2 is a rear, left side, bottom perspective view thereof;  
FIG. 3 is a front elevational view thereof;  
FIG. 4 is a rear elevational view thereof;  
FIG. 5 is a left side elevational view thereof;  
FIG. 6 is a right side elevational view thereof;  
FIG. 7 is a top plan view thereof;  
FIG. 8 is a bottom plan view thereof; and,  
FIG. 9 is a front, right side, top perspective view thereof when the various tool components of the multifunctional tool are deployed for use.

**1 Claim, 9 Drawing Sheets**



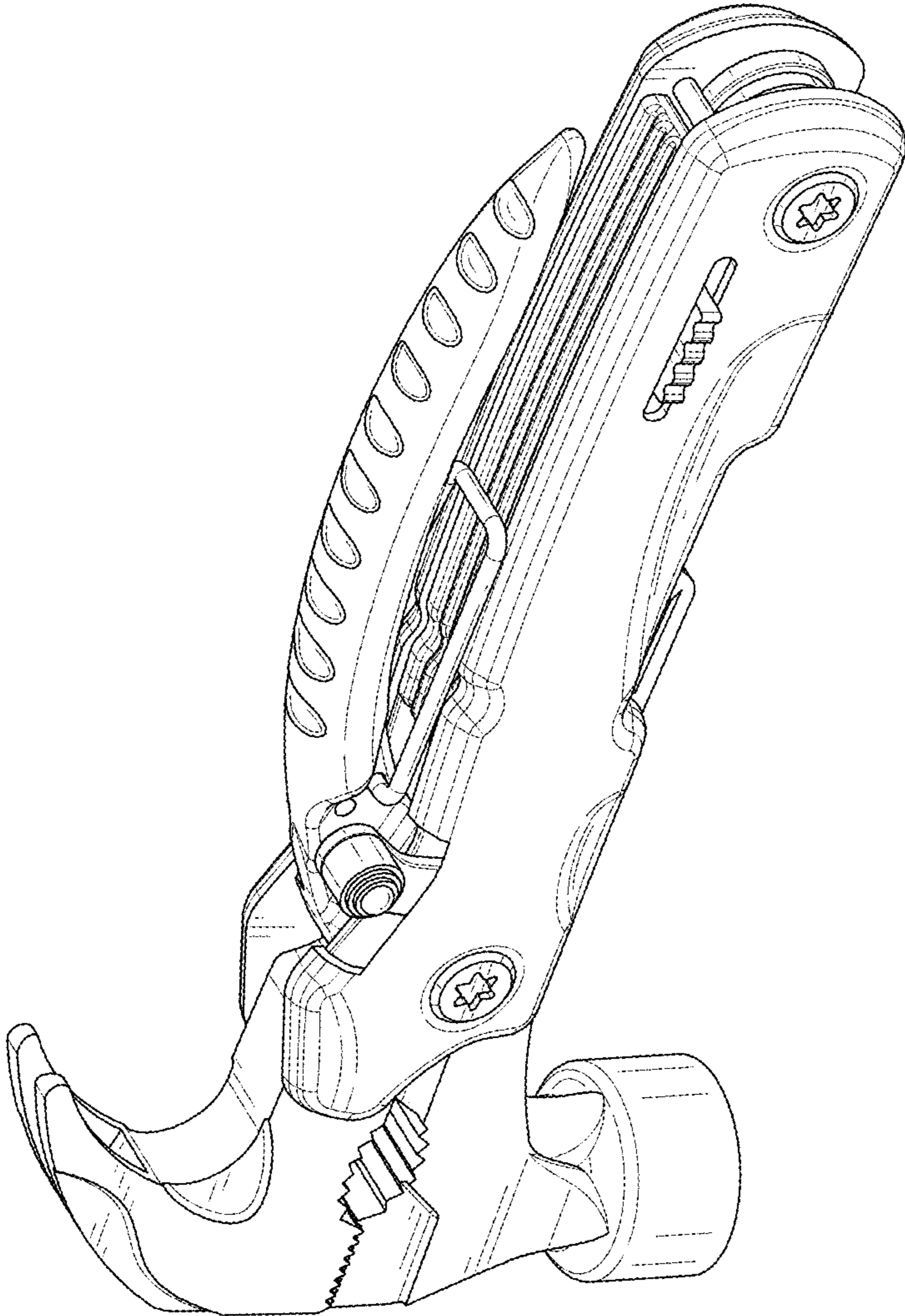


FIG.1

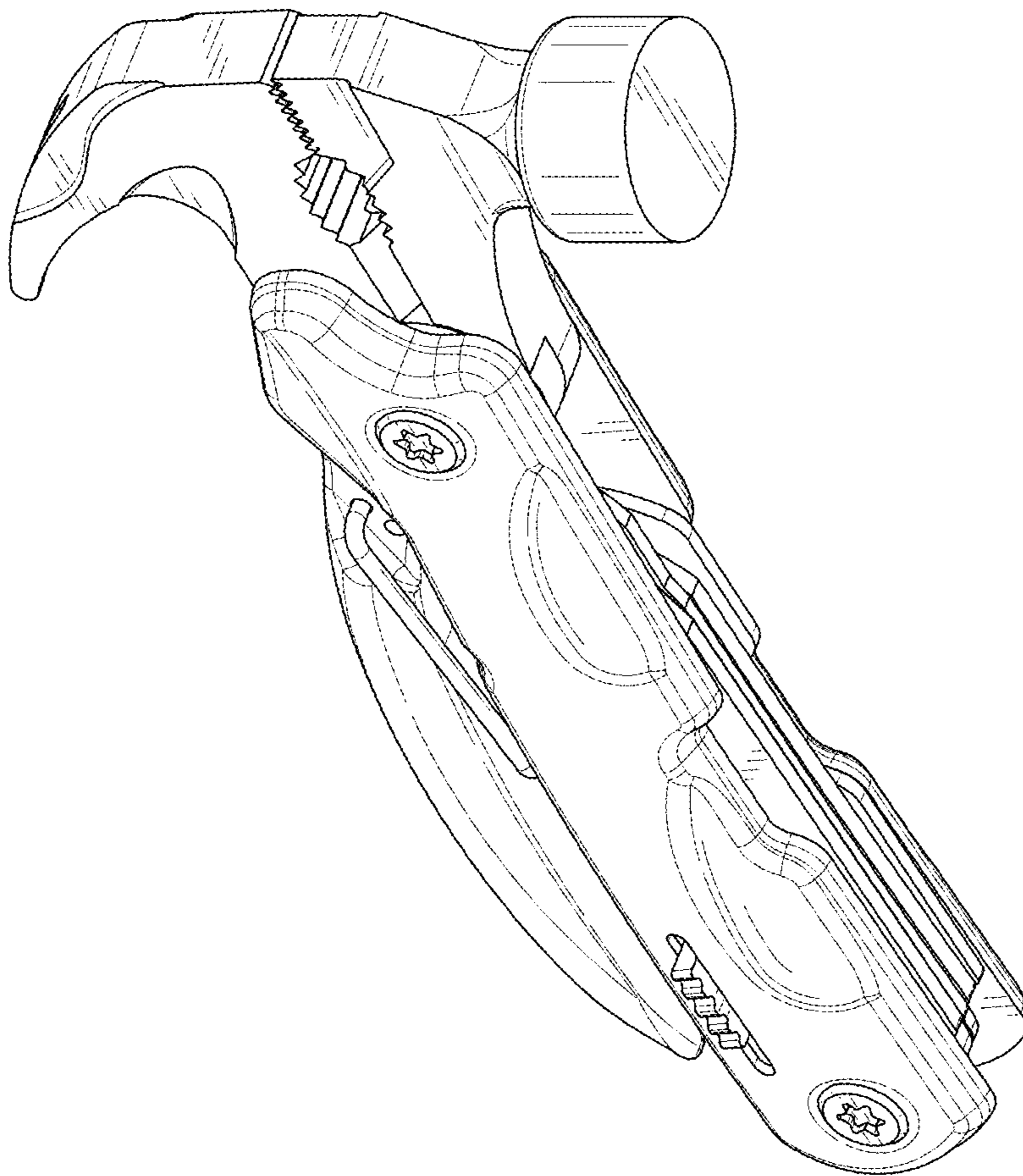


FIG.2

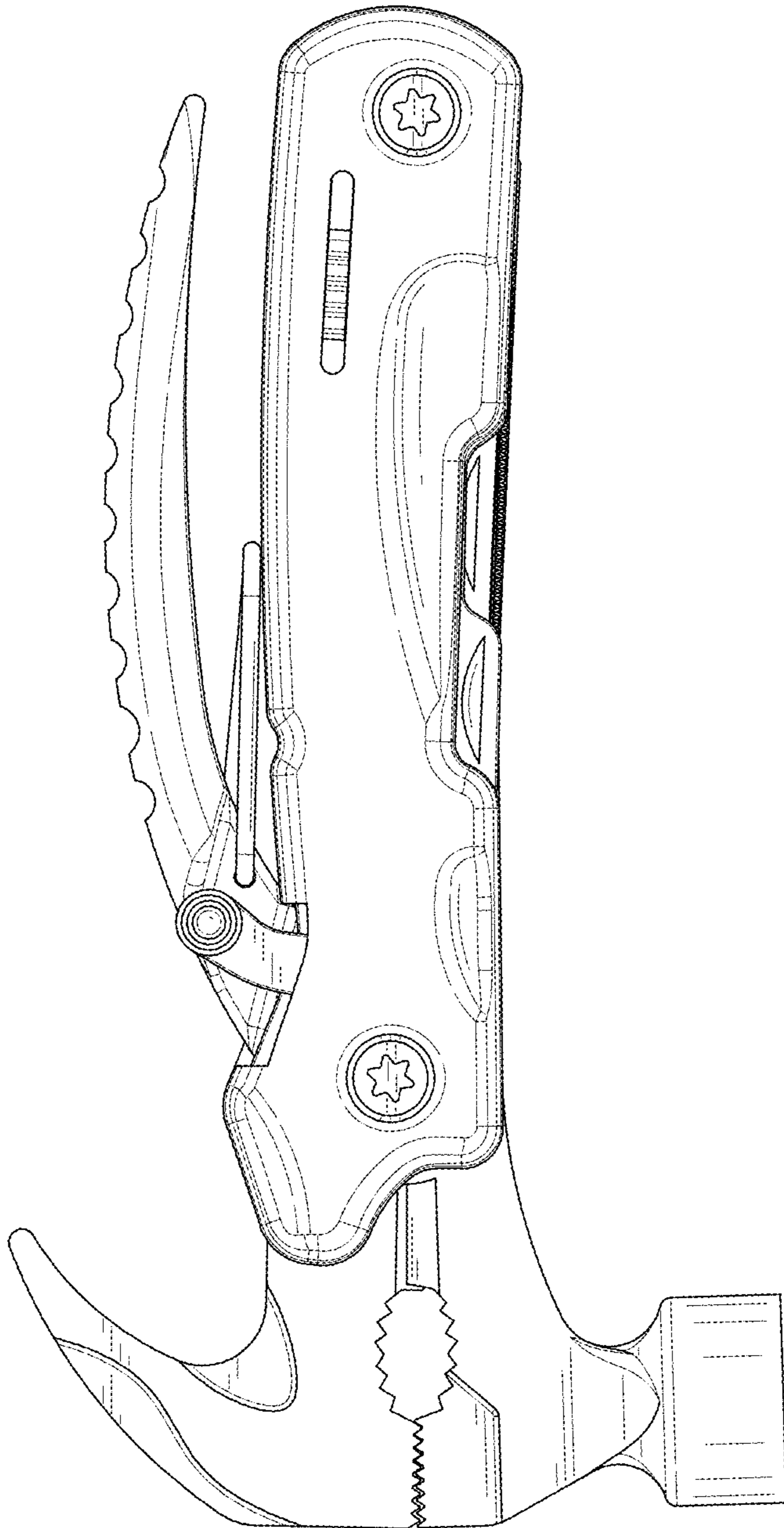


FIG. 3

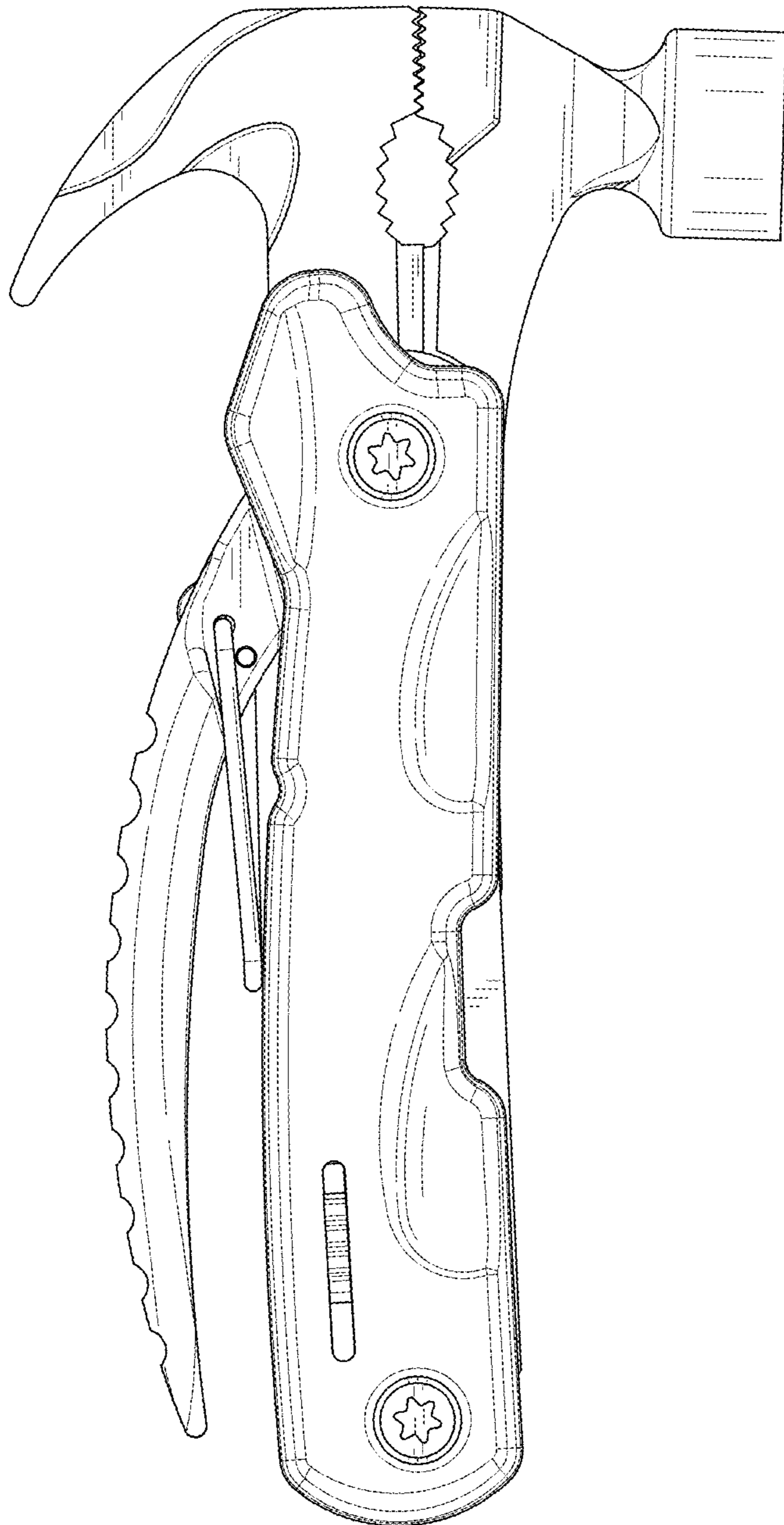


FIG.4

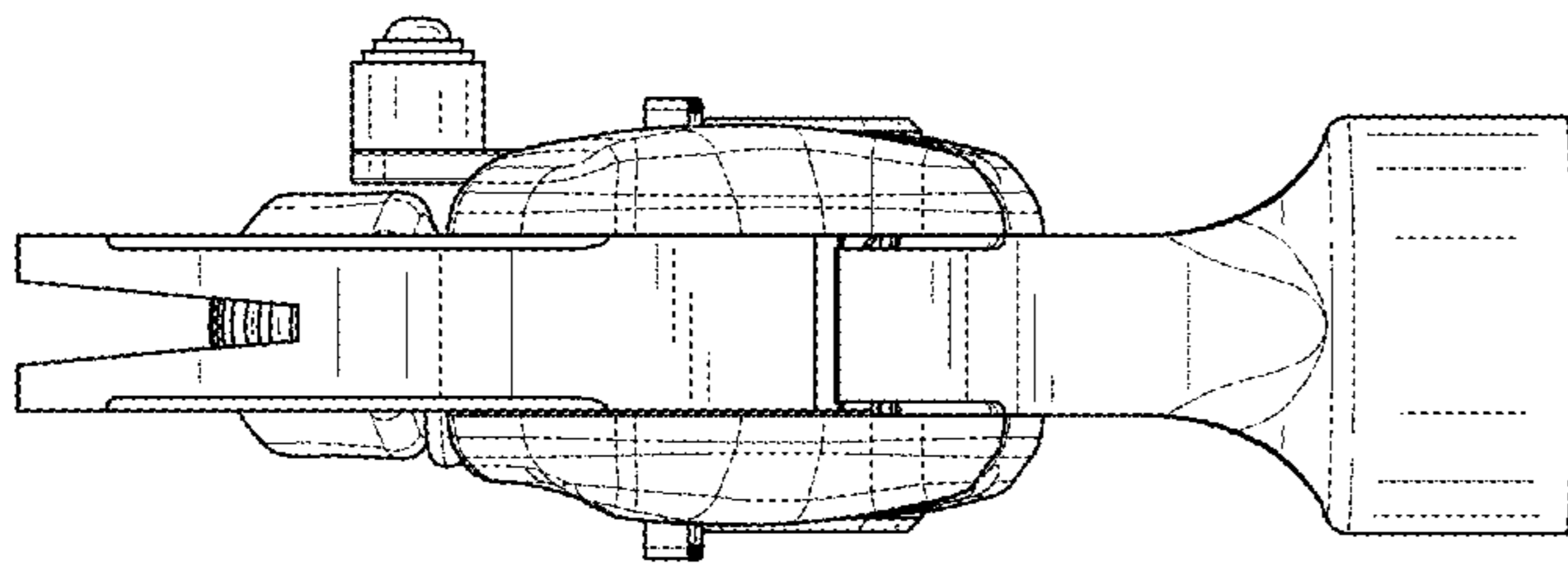


FIG. 5

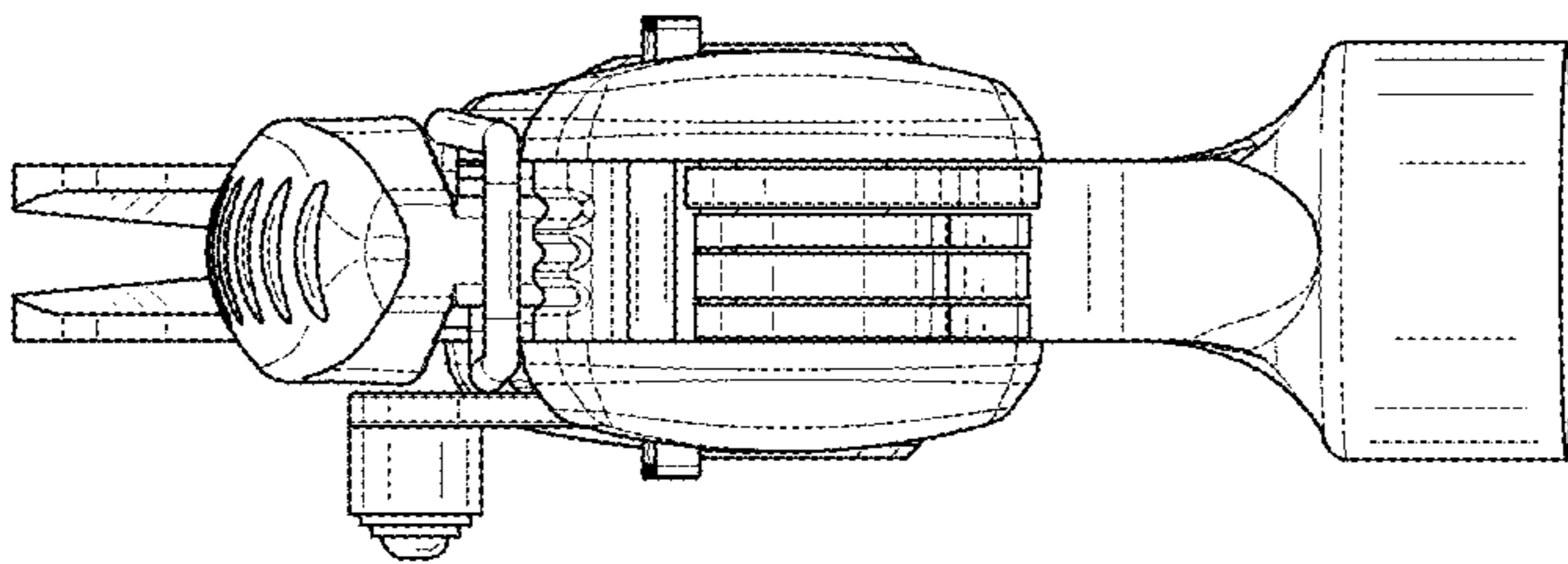


FIG. 6

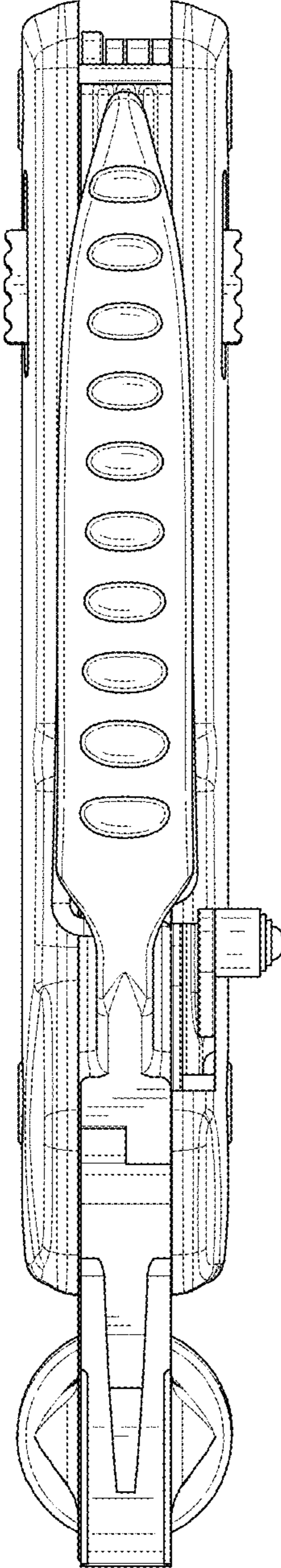


FIG. 7



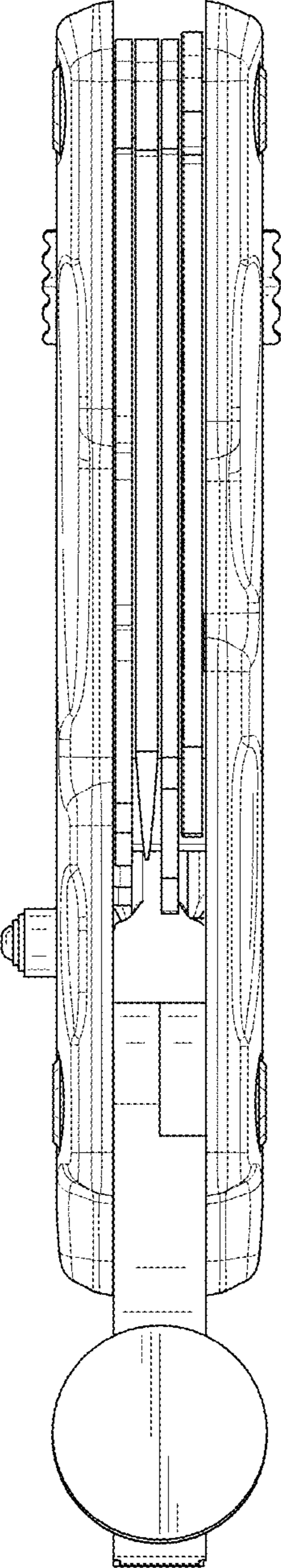


FIG. 8

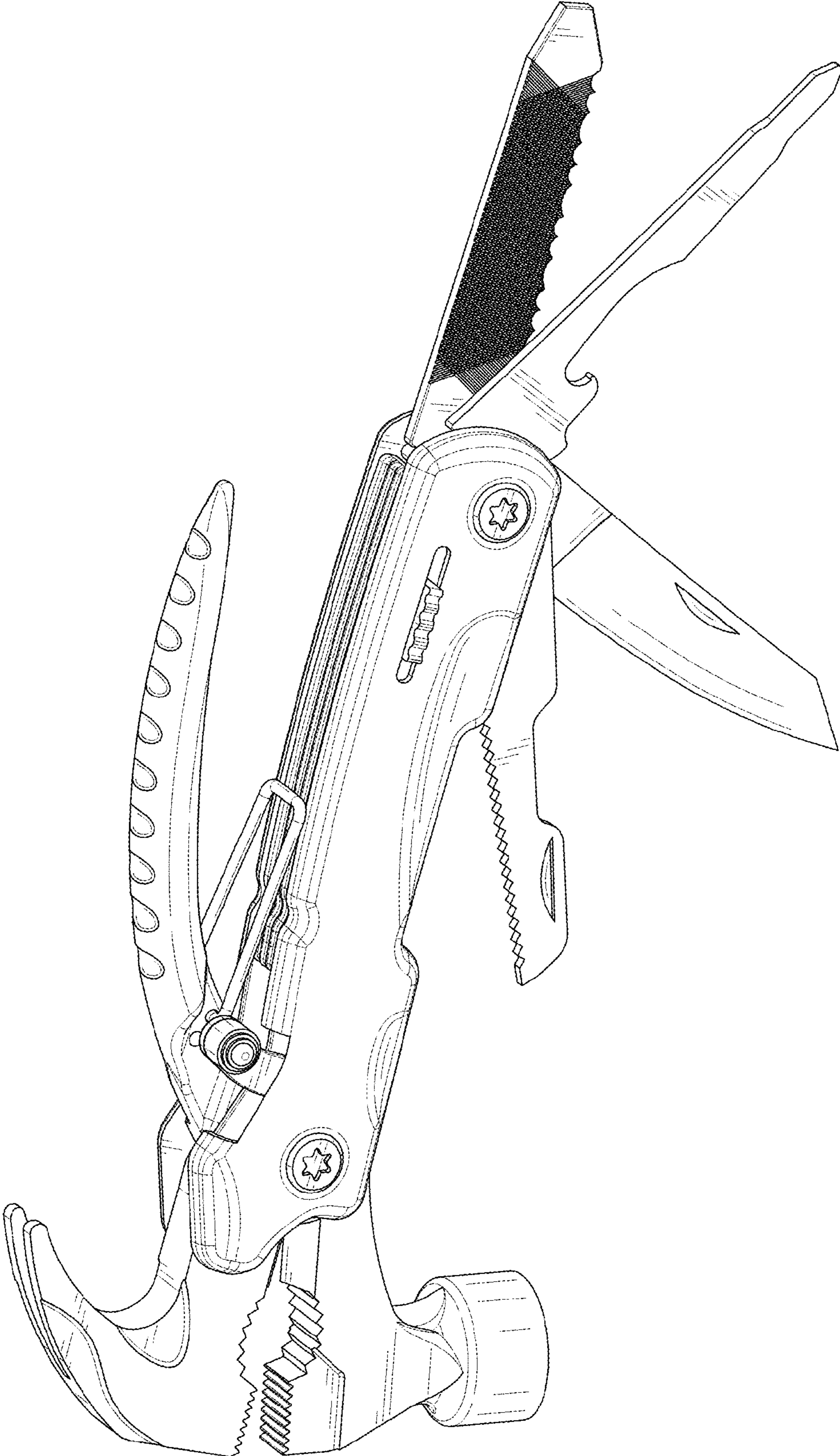


FIG.9