



US00D962739S

(12) **United States Design Patent** (10) **Patent No.:** **US D962,739 S**
Heindl (45) **Date of Patent:** **** Sep. 6, 2022**

(54) **TOOL SUPPORT BASE**

(71) Applicant: **THE COOL TOOL GMBH**, Moedling (AT)

(72) Inventor: **Manfred Heindl**, Moedling (AT)

(73) Assignee: **The Cool Tool GmbH**, Moedling (AT)

(**) Term: **15 Years**

(21) Appl. No.: **29/718,260**

(22) Filed: **Dec. 23, 2019**

(51) **LOC (13) Cl.** **08-05**

(52) **U.S. Cl.**
USPC **D8/71**

(58) **Field of Classification Search**
USPC D8/71, 380, 499; D21/484, 528, 532
CPC F16H 55/26
See application file for complete search history.

(56) **References Cited**

U.S. PATENT DOCUMENTS

D672,404 S *	12/2012	Dawes	D21/503
D689,625 S *	9/2013	Antal	D25/113
D777,265 S *	1/2017	Marcil	D21/500
D792,523 S *	7/2017	Deutsch	D21/500
D816,454 S *	5/2018	Kawamura	D8/71
D817,411 S *	5/2018	Simonds	D21/491
D852,284 S *	6/2019	Zhang	D21/500
D866,682 S *	11/2019	Hwang	D21/505
2010/0129013 A1 *	5/2010	Schroeder	F16C 29/045
				29/428
2016/0050943 A1 *	2/2016	Greve	A22C 29/026
				29/402.03
2018/0181022 A1 *	6/2018	Itabashi	G03G 21/1814
2018/0347677 A1 *	12/2018	Carlson	F16H 55/26
2020/0223001 A1 *	7/2020	Eckstein	B23F 9/00

OTHER PUBLICATIONS

“LEGO Technic Extended Length Gear Racks”, Nov. 4, 2016, Amazon.ca, site visited Feb. 2, 2022: <https://www.amazon.ca/LEGO-Technic-Extended-Length-Mindstorms/dp/B01DVJY2VE> (Year: 2016).*

“The Cool Tool Playmat 4 in 1 Workshop”, Dec. 14, 2016, Amazon.ca, site visited Feb. 2, 2022: <https://www.amazon.ca/Cool-Tool-Playmat-Workshop-Child-Friendly/dp/B000KYFG64> (Year: 2016).*

“PLAYmake 4 in 1 Workshop”, Oct. 31, 2020, Amazon.ca, site visited Feb. 2, 2022: <https://www.amazon.ca/PLAYmake-Child-Safe-Workshop-Kid-Friendly-Building/dp/B084GZ2WRT> (Year: 2020).*

* cited by examiner

Primary Examiner — Jack Reickel

Assistant Examiner — Michael A Kervin

(74) *Attorney, Agent, or Firm* — Laurence A. Greenberg; Werner H. Stemer; Ralph E. Locher

(57) **CLAIM**

The ornamental design for a tool support base, as shown and described.

DESCRIPTION

FIG. 1 is a bottom perspective view of the tool support base showing my new invention;

FIG. 2 is a top perspective view thereof;

FIG. 3 is a bottom plan view thereof;

FIG. 4 is a front elevation view thereof;

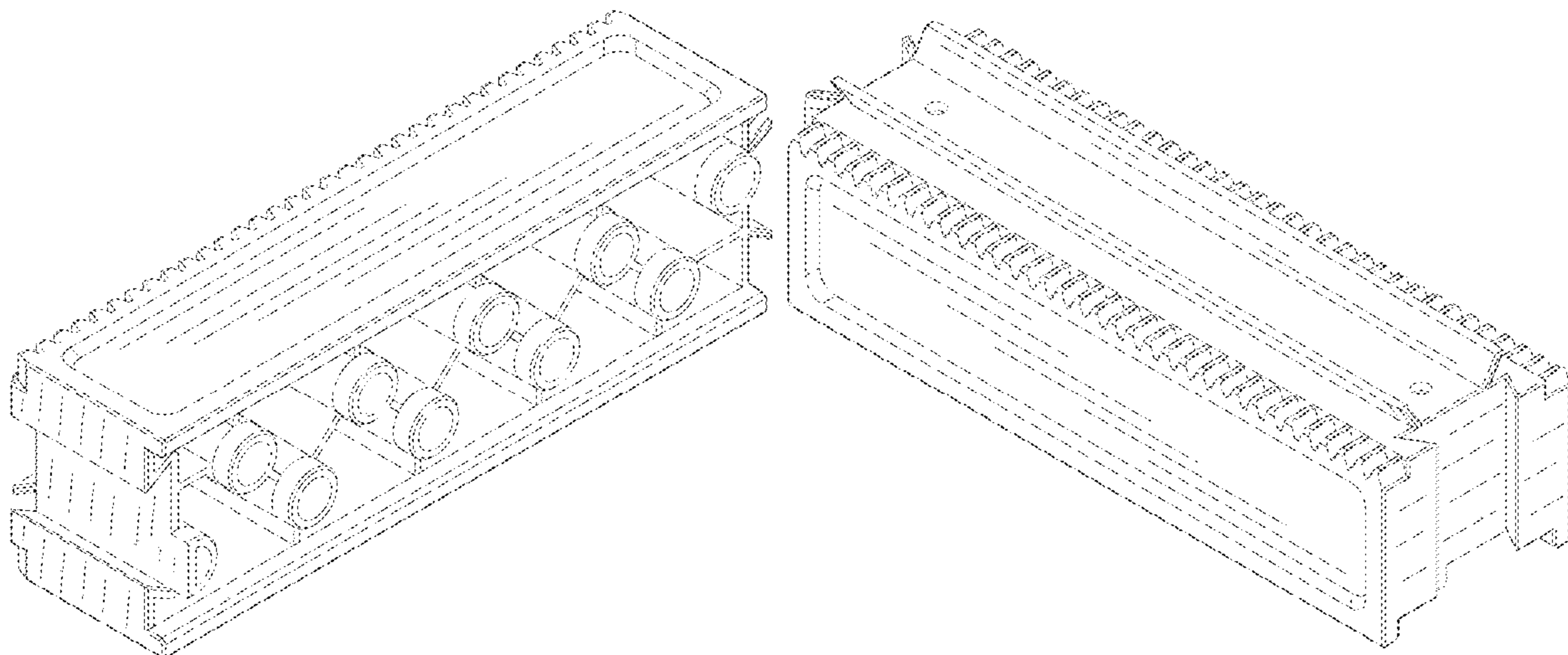
FIG. 5 is a rear elevation view thereof;

FIG. 6 is a top plan view thereof;

FIG. 7 is a right side elevation view thereof; and,

FIG. 8 is a left side elevation view thereof.

1 Claim, 8 Drawing Sheets



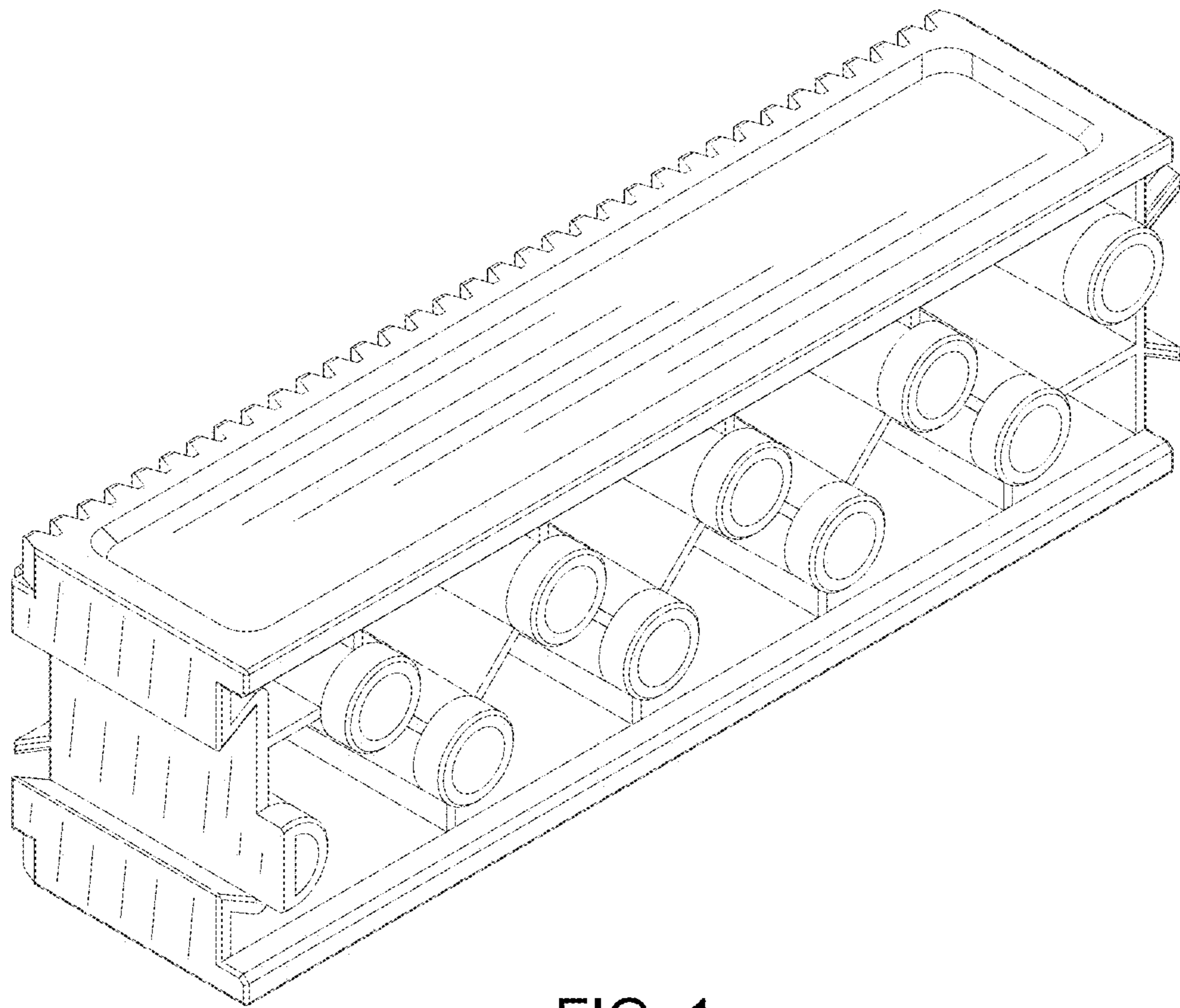


FIG. 1

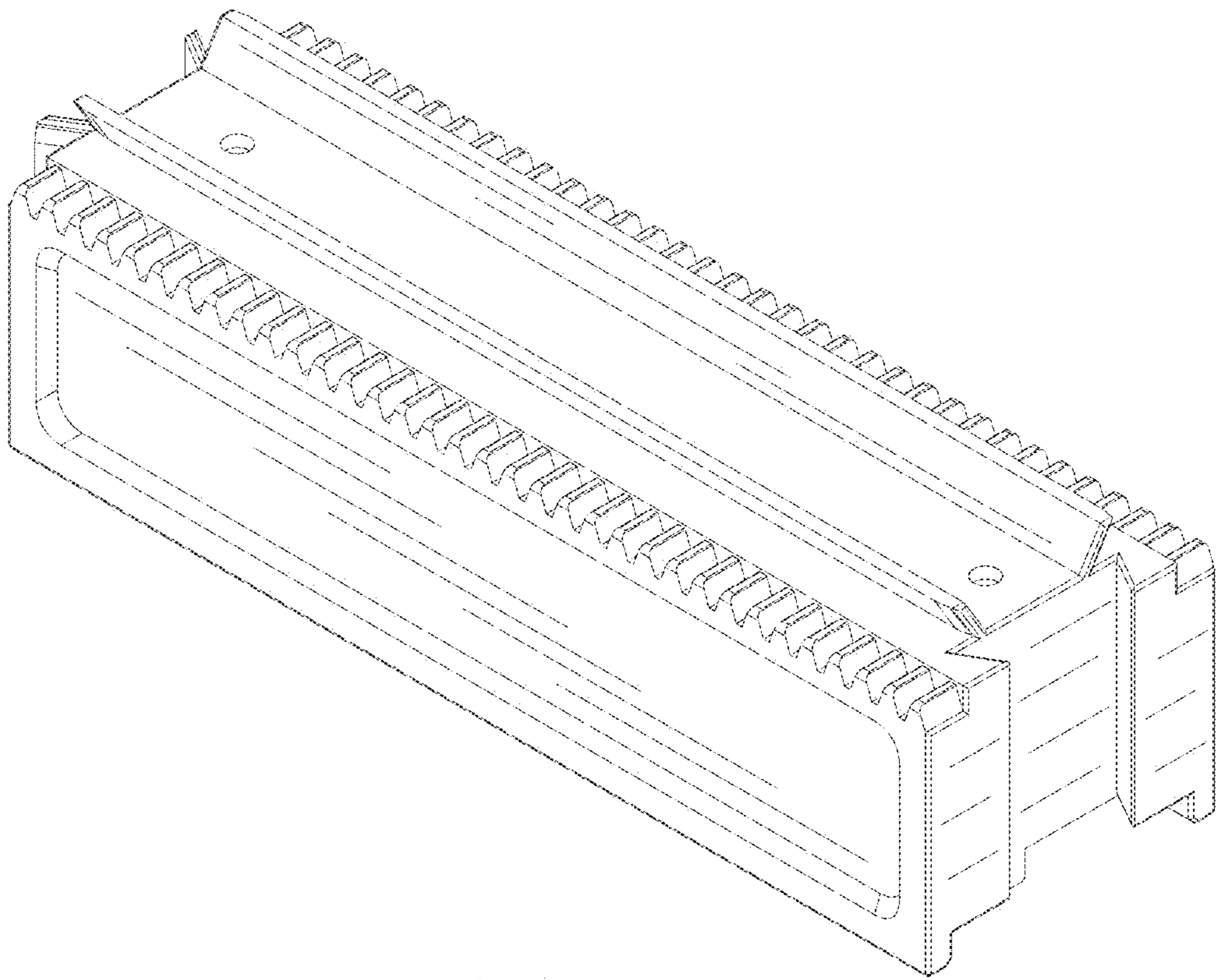


FIG. 2

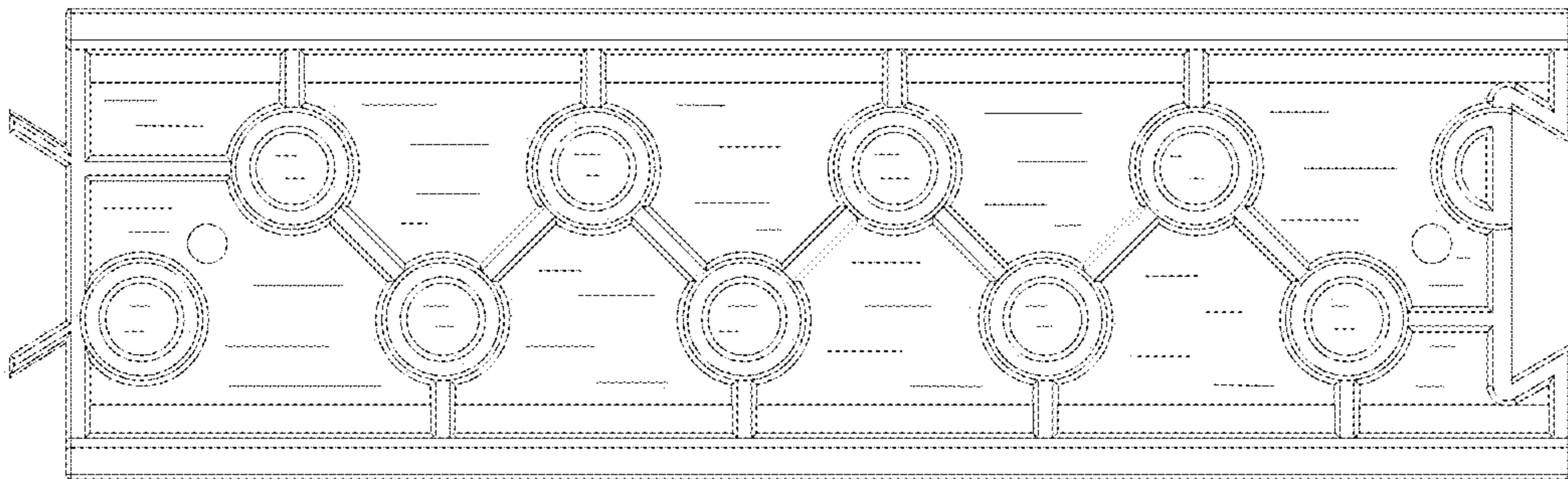


FIG. 3

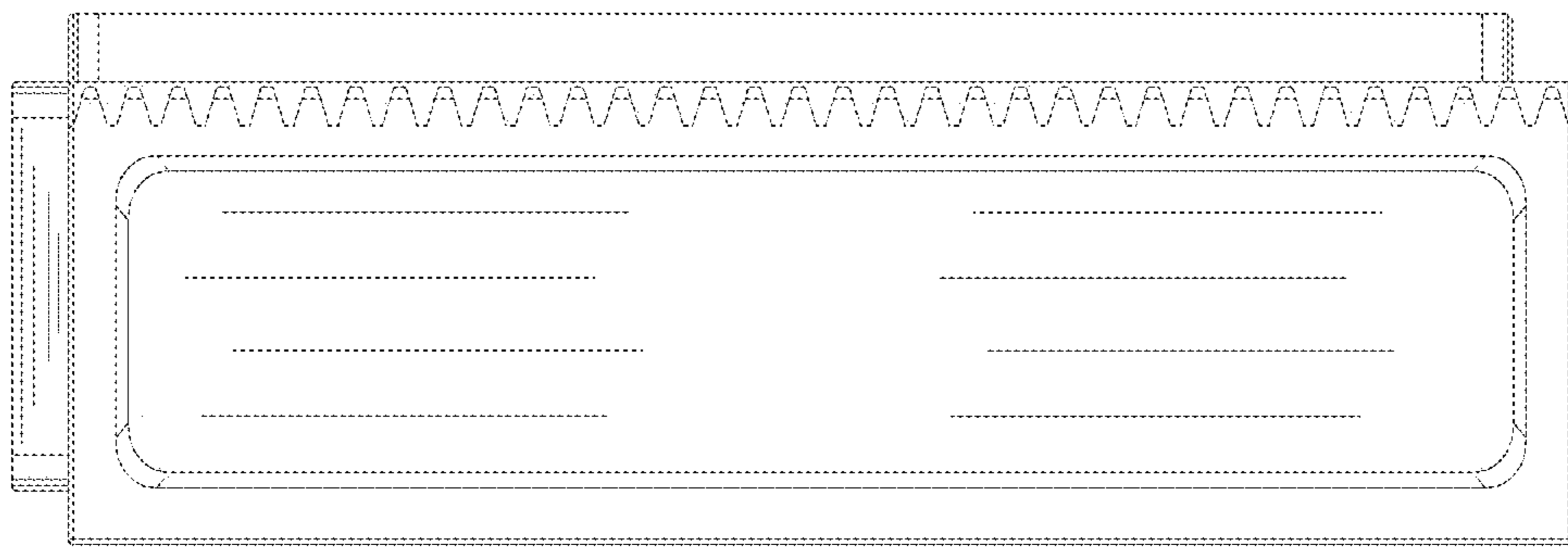


FIG. 4

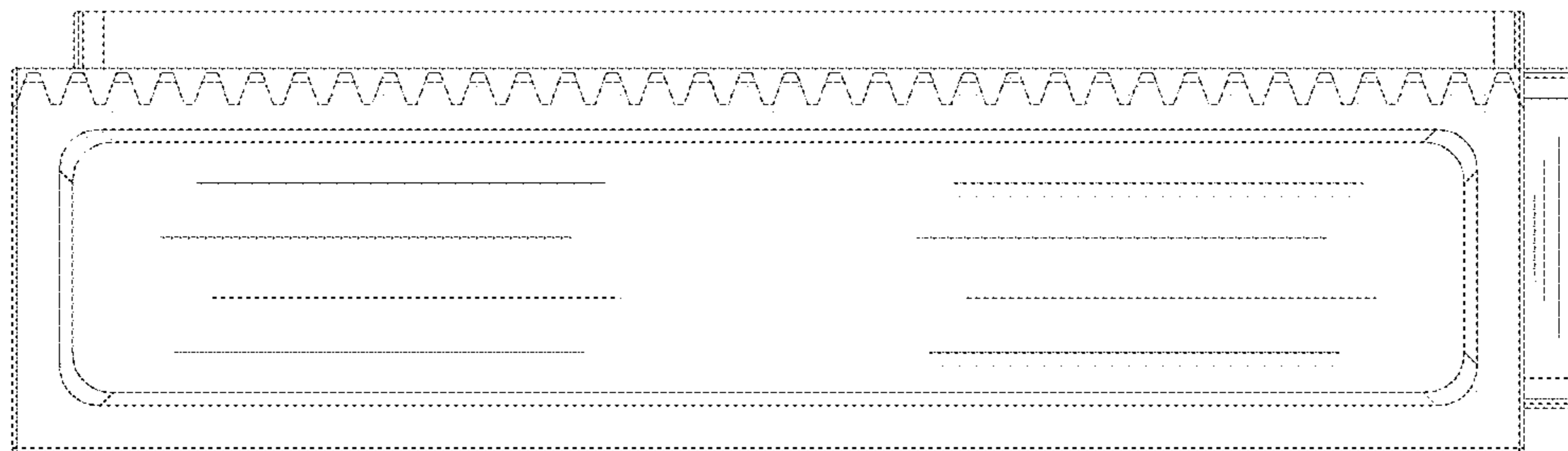


FIG. 5

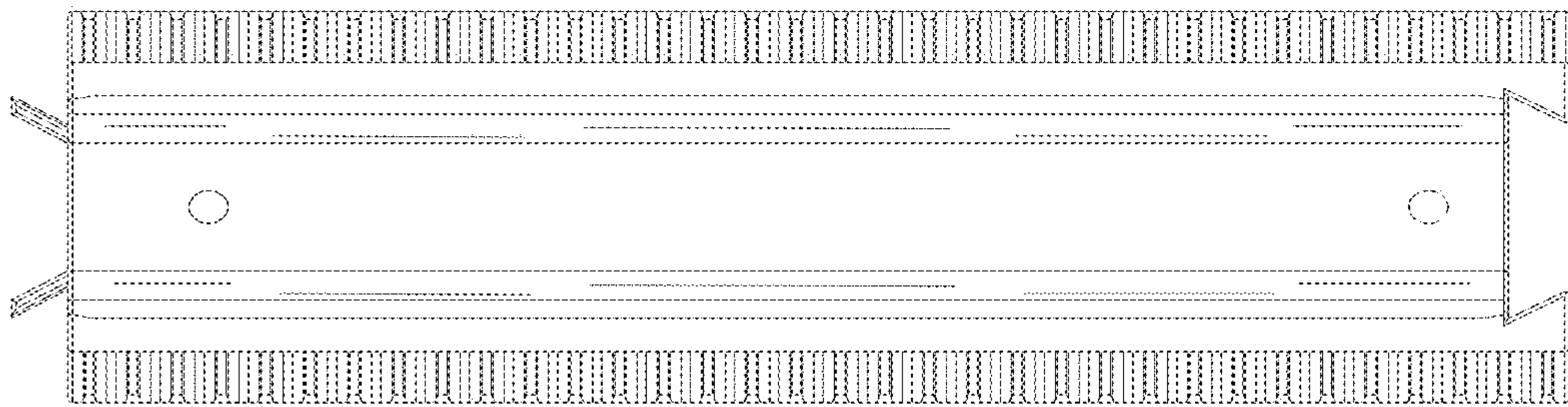


FIG. 6

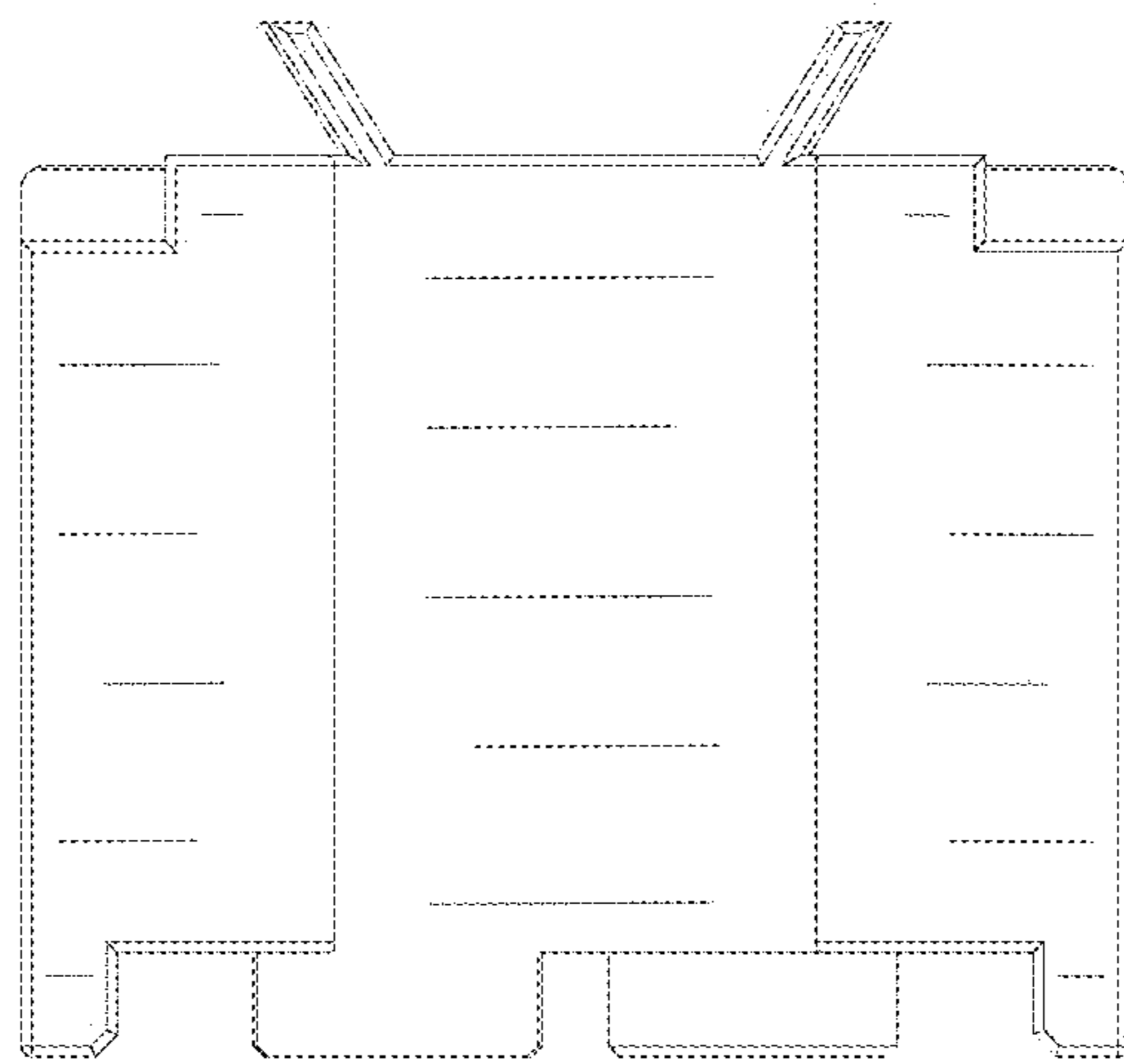


FIG. 7

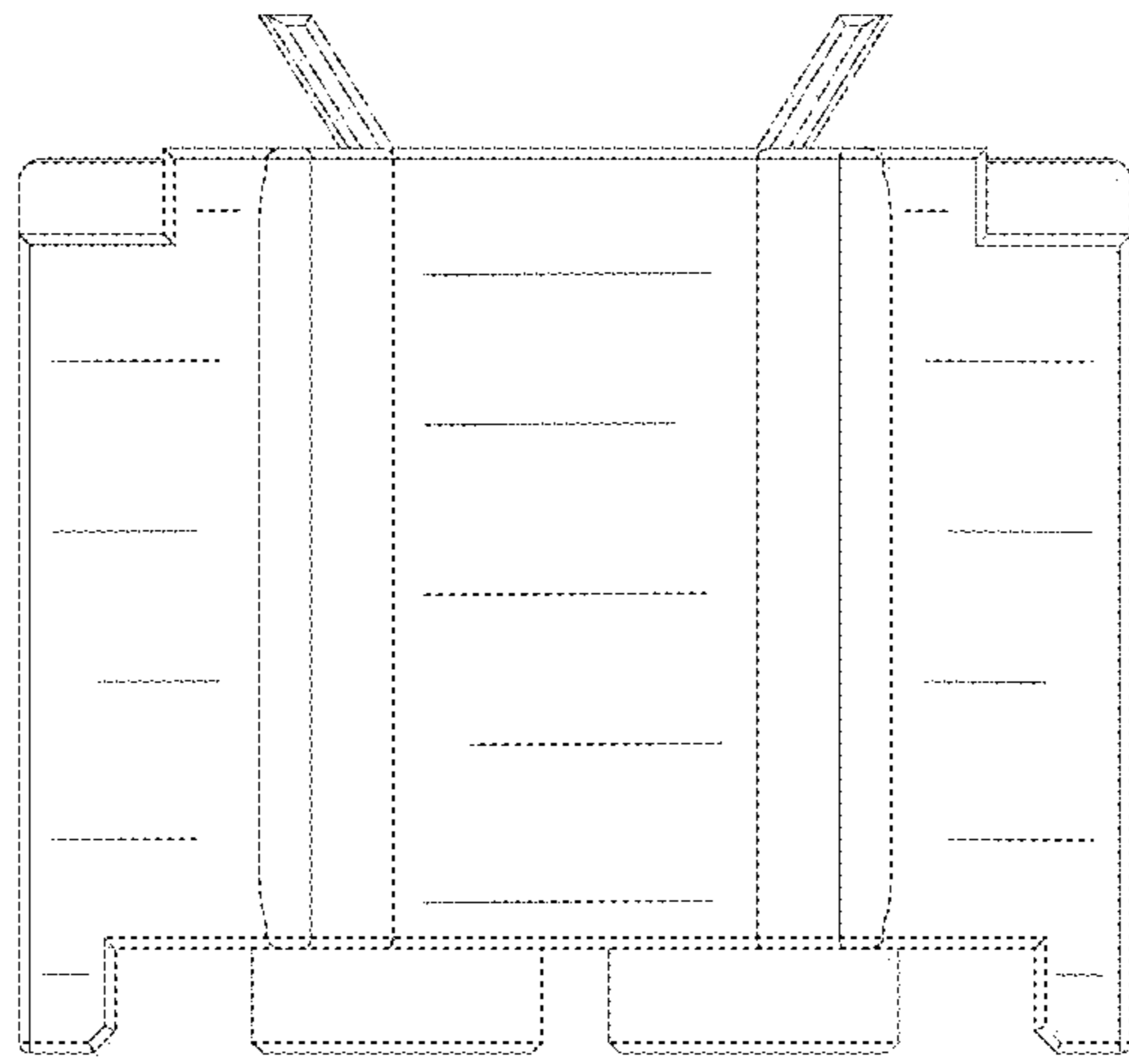


FIG. 8