

US00D962737S

(12) **United States Design Patent** (10) **Patent No.:** **US D962,737 S**  
**He** (45) **Date of Patent:** **\*\* Sep. 6, 2022**

(54) **SCISSOR**  
(71) Applicant: **YANGJIANG YOJII HOUSEWARES CO., LTD**, Yangjiang (CN)  
(72) Inventor: **Rufeng He**, YangJiang (CN)  
(\*\*) Term: **15 Years**

D649,418 S 11/2011 Molina  
D680,840 S 4/2013 Bhasin  
D713,700 S 9/2014 Iwasaki  
D713,701 S 9/2014 Kozakai  
D719,805 S 12/2014 Iwasaki  
D755,599 S \* 5/2016 Payne ..... D8/57  
D777,003 S \* 1/2017 Roberts ..... D8/57  
D786,039 S 5/2017 Roberts

(Continued)

(21) Appl. No.: **29/821,978**

**FOREIGN PATENT DOCUMENTS**

(22) Filed: **Jan. 5, 2022**

GB 6136732 \* 5/2021

(51) **LOC (13) Cl.** ..... **08-03**

(52) **U.S. Cl.**  
USPC ..... **D8/57**

**OTHER PUBLICATIONS**

(58) **Field of Classification Search**  
USPC ..... D8/73, 394, 72, 382, 57, 93, 5, 51-53,  
D8/105, 107; D7/693; D22/150;  
D24/148, 149, 231; D28/55; D30/158  
CPC ..... B25C 11/02; B25C 11/00; A61B 17/076;  
A61B 17/03  
See application file for complete search history.

Tansung Poultry Shears, Come-apart Kitchen Scissors, Anti-rust Heavy Duty Kitchen Shears with Soft Grip Handles , Google.com, [online]. [site visited Jul. 26, 2022], Available from internet URL: <https://www.amazon.com/TANSUNG-Come-Apart-Scissors-Stainless-Vegetables/dp/B07KHB3VD8/ref> (Year: NA).\*

*Primary Examiner* — Omeed Agilee  
*Assistant Examiner* — Rozita Mozaffarian  
(74) *Attorney, Agent, or Firm* — Rumit Ranjit Kanakia

(56) **References Cited**

**U.S. PATENT DOCUMENTS**

D335,807 S \* 5/1993 Birkholz ..... D8/57  
D339,725 S \* 9/1993 Birkholz ..... D8/57  
5,377,412 A \* 1/1995 Schofield ..... B26B 13/28  
30/262  
D419,412 S 1/2000 Chang  
D450,553 S \* 11/2001 Chien ..... D7/693  
D450,987 S \* 11/2001 Chien ..... D7/693  
D460,333 S \* 7/2002 Carpenter ..... D8/57  
D469,323 S \* 1/2003 Linden ..... D8/5  
D483,239 S \* 12/2003 Sprouse ..... D8/57  
D536,588 S 2/2007 Peterson  
D537,311 S \* 2/2007 Peterson ..... D8/57  
D584,122 S \* 1/2009 Caroca ..... D8/57  
D623,917 S \* 9/2010 Goetz ..... D8/57  
D640,106 S 6/2011 Molina  
D642,032 S \* 7/2011 Molina ..... D8/57  
D642,035 S \* 7/2011 Molina ..... D8/57

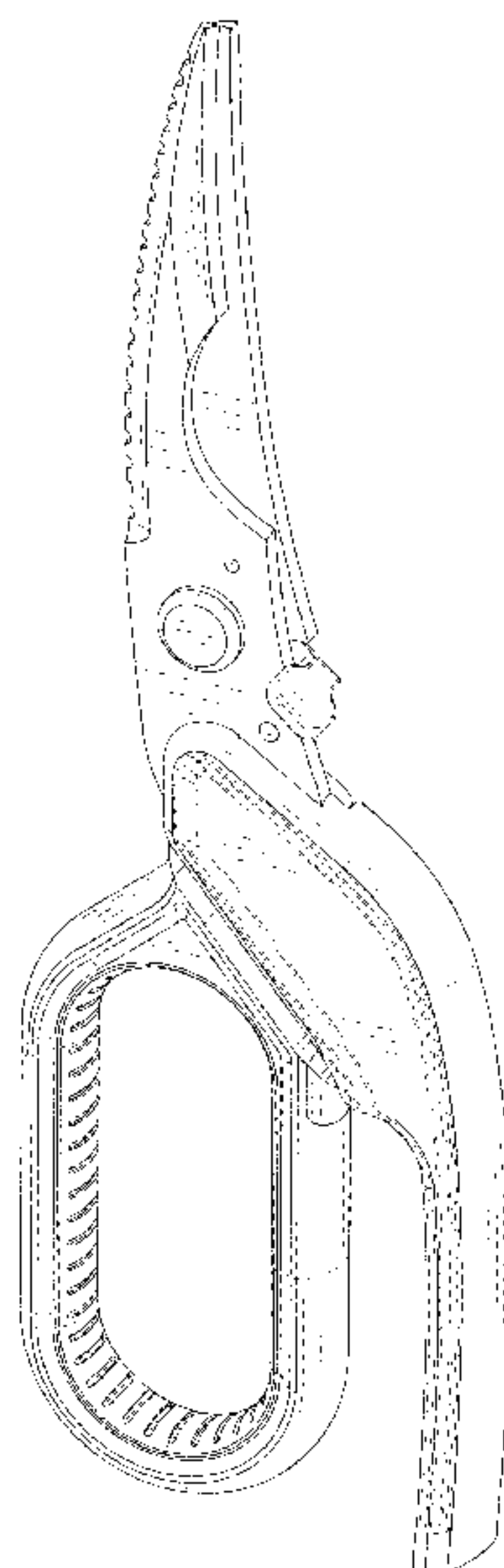
(57) **CLAIM**

The ornamental design for a scissor, as shown and described.

**DESCRIPTION**

FIG. 1 is a perspective view of a scissor showing my new design;  
FIG. 2 is another perspective view thereof;  
FIG. 3 is a front elevational view thereof;  
FIG. 4 is a rear elevational view thereof;  
FIG. 5 is a left side view thereof;  
FIG. 6 is a right side view thereof;  
FIG. 7 is a top plan view thereof; and,  
FIG. 8 is a bottom plan view thereof.

**1 Claim, 6 Drawing Sheets**



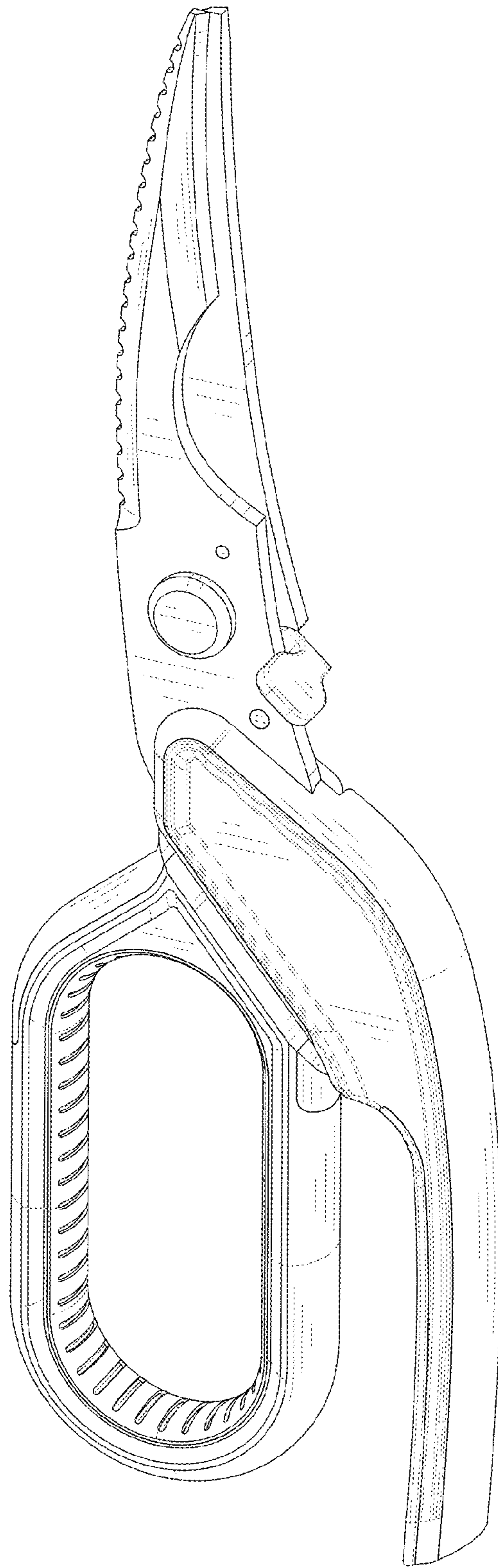
(56)

**References Cited**

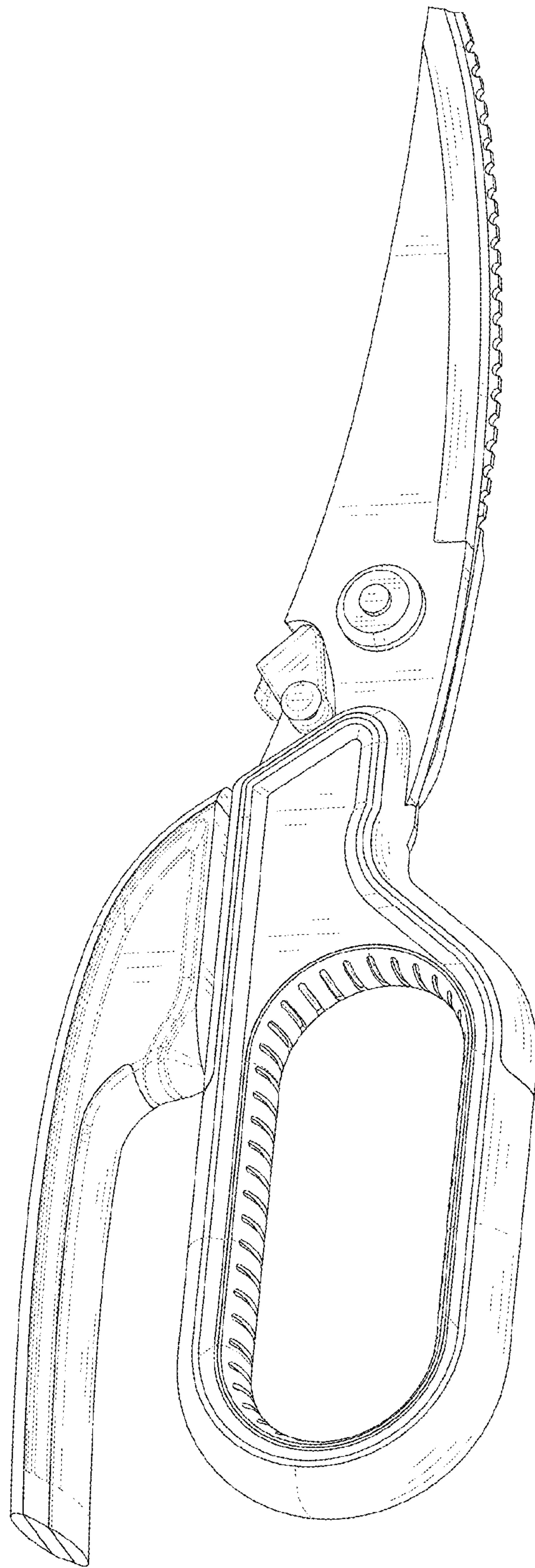
U.S. PATENT DOCUMENTS

D787,286	S	5/2017	Roberts	
D810,535	S *	2/2018	Liu .....	D8/57
2007/0144015	A1 *	6/2007	Peterson .....	B26B 13/06 30/262
2010/0107421	A1 *	5/2010	Cedar .....	B26B 13/06 30/232
2010/0293794	A1 *	11/2010	Shan .....	A01G 3/02 30/261

\* cited by examiner

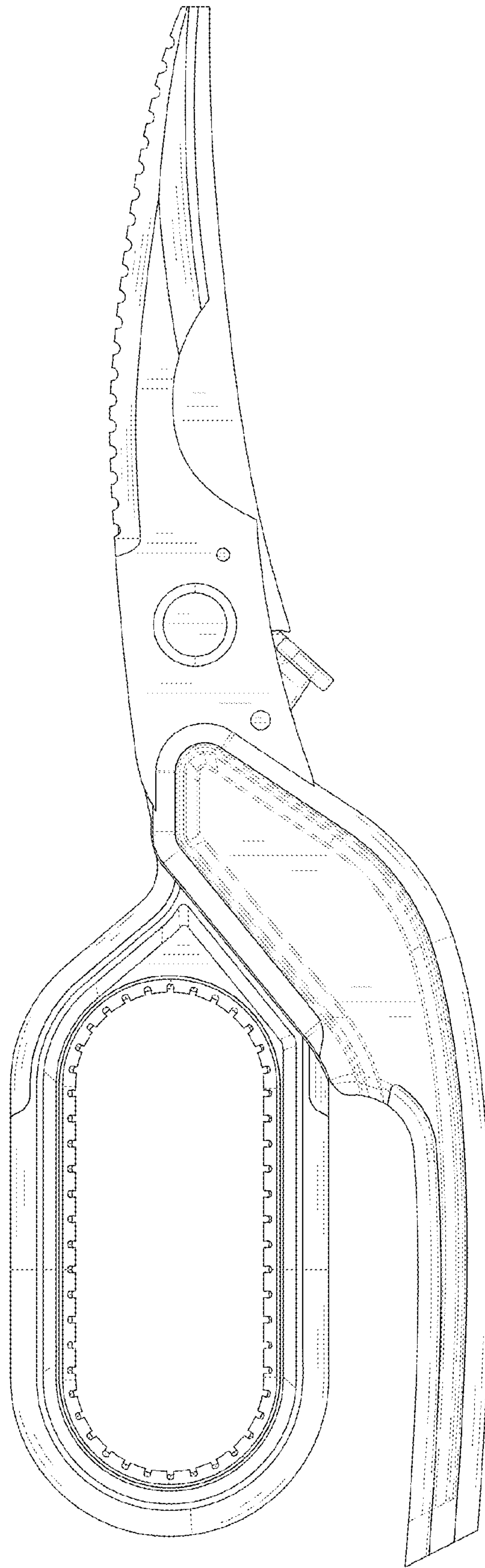


**FIG. 1**

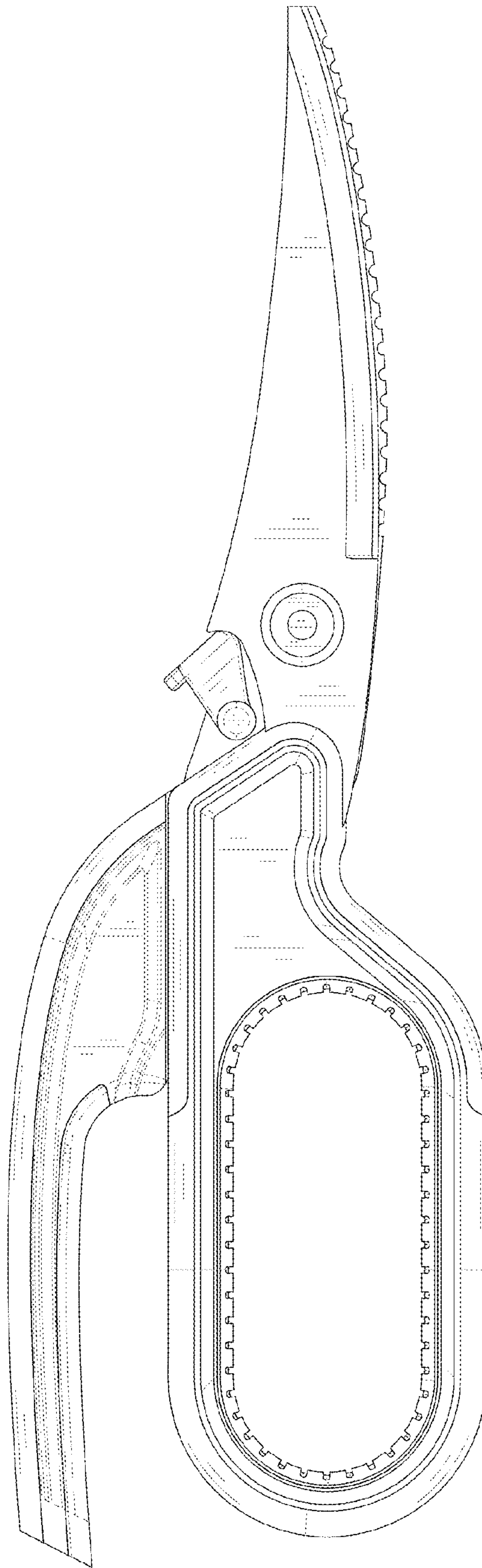


**FIG. 2**

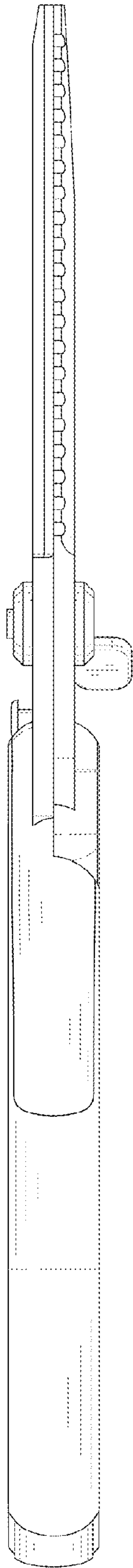




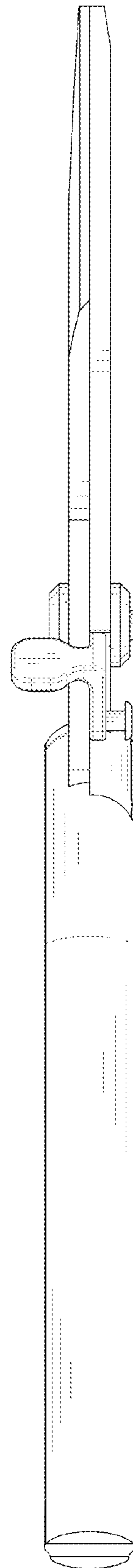
**FIG. 3**



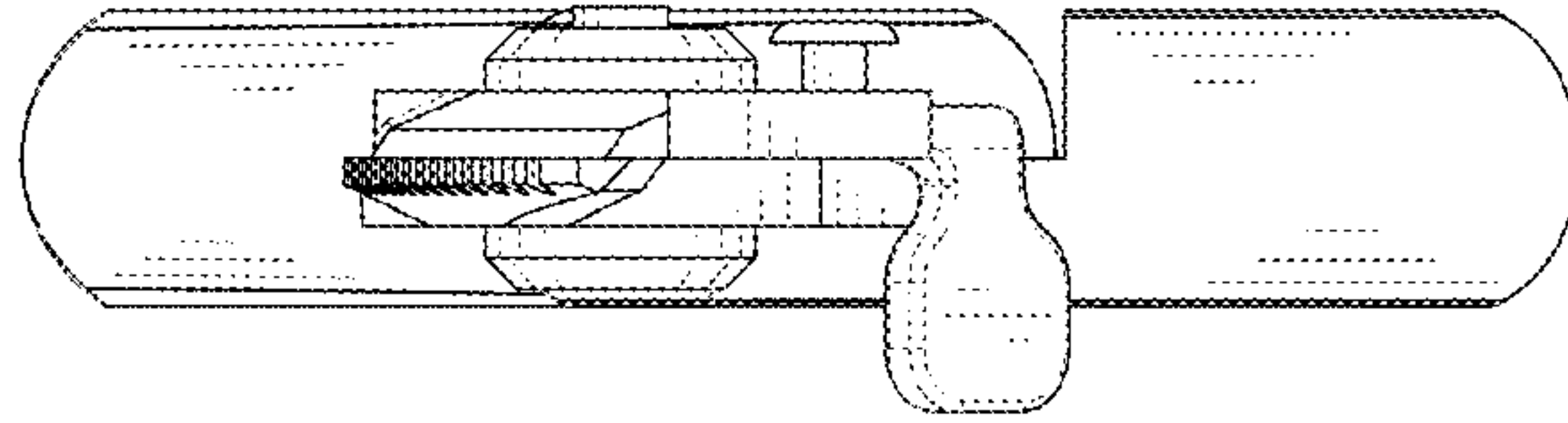
**FIG. 4**



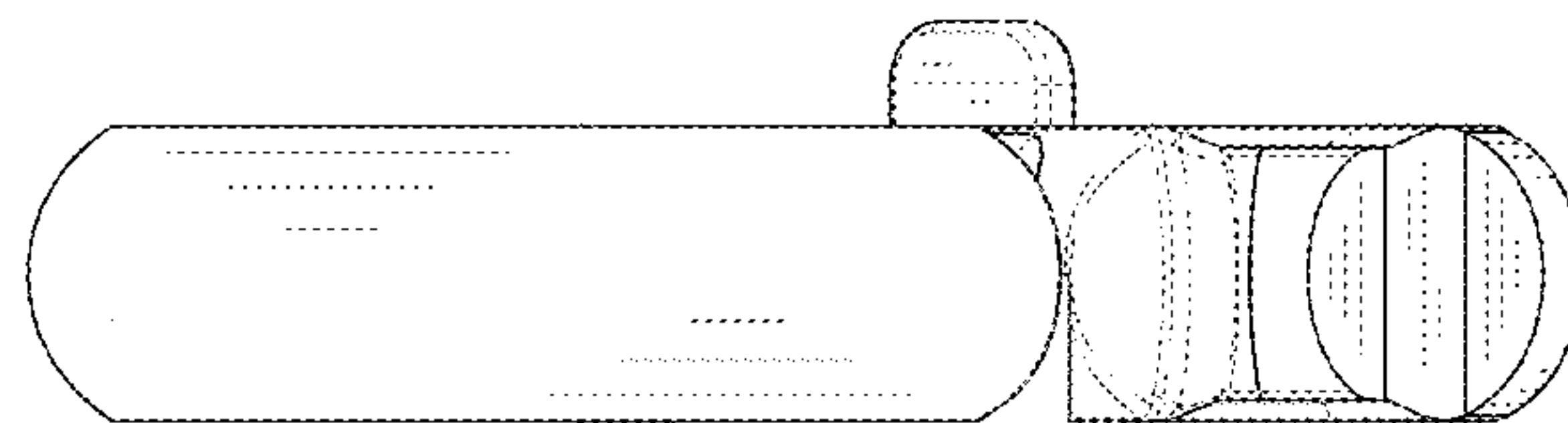
**FIG. 5**



**FIG. 6**



**FIG. 7**



**FIG. 8**