

US00D962736S

(12) **United States Design Patent** (10) **Patent No.:** **US D962,736 S**
Tsai (45) **Date of Patent:** **** Sep. 6, 2022**

(54) **FIXING PLIERS WITH A SLIDE HAMMER**

(71) Applicant: **Chien Yu Hong Co., Ltd.**, Taichung (TW)

(72) Inventor: **Chang-Ta Tsai**, Taichung (TW)

(73) Assignee: **Chien Yu Hong Co., Ltd.**, Taichung (TW)

(**) Term: **15 Years**

(21) Appl. No.: **29/740,553**

(22) Filed: **Jul. 6, 2020**

(51) **LOC (13) Cl.** **08-05**

(52) **U.S. Cl.**
USPC **D8/52; D8/55**

(58) **Field of Classification Search**
USPC ... D8/34, 55, 51, 52, 21, 22, 23, 24, 25, 26,
D8/75, 105, 106, 107; D24/107
CPC A61B 2017/92; B25B 7/12; B25B 7/02;
B25F 1/003; Y10T 29/53783; Y10T
29/53839
See application file for complete search history.

(56) **References Cited**

U.S. PATENT DOCUMENTS

- 3,169,010 A * 2/1965 Crawford, Jr. B25C 11/02
254/19
- 3,791,012 A * 2/1974 Jenkin B25B 27/02
81/463
- 4,307,635 A * 12/1981 Genova B25B 7/123
81/463
- D342,877 S * 1/1994 Adamic D8/52
- D398,208 S * 9/1998 Anderson D8/52
- 5,984,272 A * 11/1999 Crider B25C 11/02
254/18
- D470,373 S * 2/2003 Ferreria D8/52
- 7,168,144 B1 * 1/2007 Haelle B25B 27/02
29/254
- D547,628 S * 7/2007 McGinnis D8/55
- 8,407,874 B2 * 4/2013 Giberti B25F 1/003
81/367

- D718,107 S * 11/2014 Bascom D8/52
- 9,682,462 B2 * 6/2017 Wong B25B 7/123
- D865,466 S * 11/2019 Tsai D8/52
- D865,467 S * 11/2019 Tsai D8/52
- D865,468 S * 11/2019 Tsai D8/52
- 11,219,990 B2 * 1/2022 Tsai B25B 27/023
- 2021/0154814 A1 * 5/2021 Tsai B25B 27/0035

OTHER PUBLICATIONS

Laser Tools 7005 Slide Hammer Locking Pliers, first available Sep. 25, 2017, Amazon.com, [online], [site visited Jun. 9, 2022], Available from internet URL: https://www.amazon.com/Laser-Slide-sizeer-Locking-Pliers/dp/B075TFJRCX/ref=sr_1_3?crd=2514POZPJM4JQ&keywords (Year: 2017).*
Locking Pliers Slide Hammer, Google.com, [online], [site visited Jun. 9, 2022], Available from internet URL: https://www.jegs.com/i/JEGS/555/81789/10002/-1?gclid=EAIaIQobChMI2MWxzIWh-AIVL_iBx190wcUEAQYASABEgL7vPD_BwE (Year: NA).*

* cited by examiner

Primary Examiner — Omeed Agilee
Assistant Examiner — Rozita Mozaffarian
(74) *Attorney, Agent, or Firm* — Alan D. Kamrath; Karin L. Williams; Mayer & Williams PC

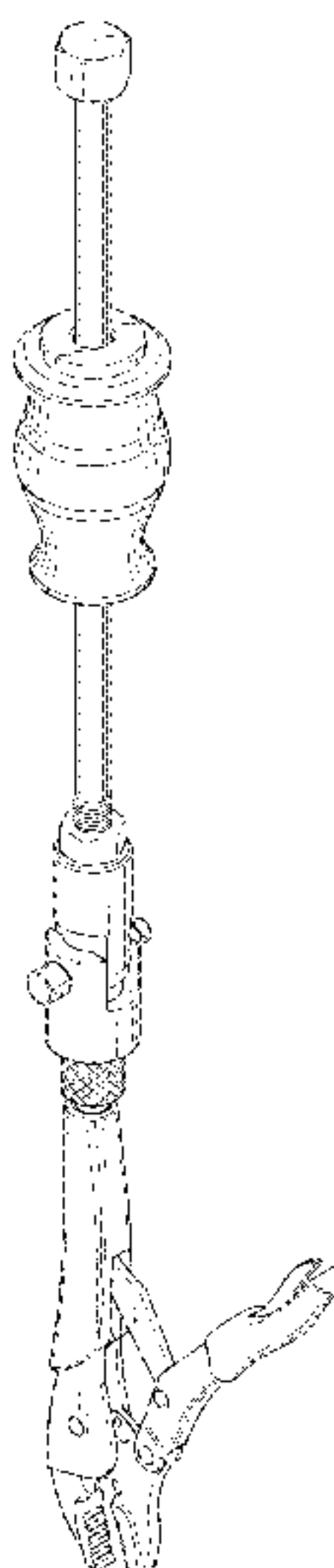
(57) **CLAIM**

The ornamental design for a fixing pliers with a slide hammer, as shown.

DESCRIPTION

FIG. 1 is a perspective view of a fixing pliers with a slide hammer showing my new design;
FIG. 2 is a front view thereof;
FIG. 3 is a rear view thereof;
FIG. 4 is a left view thereof;
FIG. 5 is a right view thereof;
FIG. 6 is a top view thereof; and,
FIG. 7 is a bottom view thereof.

1 Claim, 6 Drawing Sheets



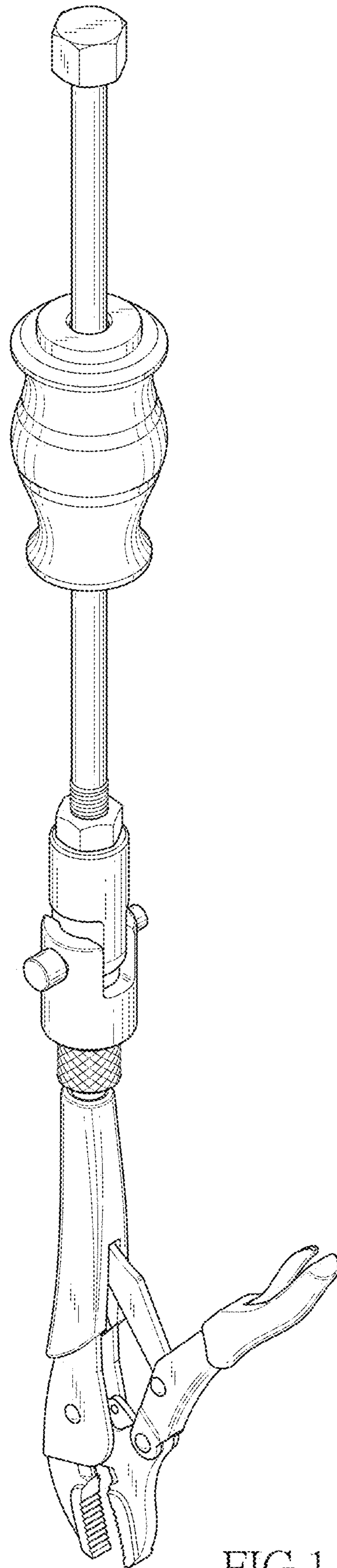


FIG.1

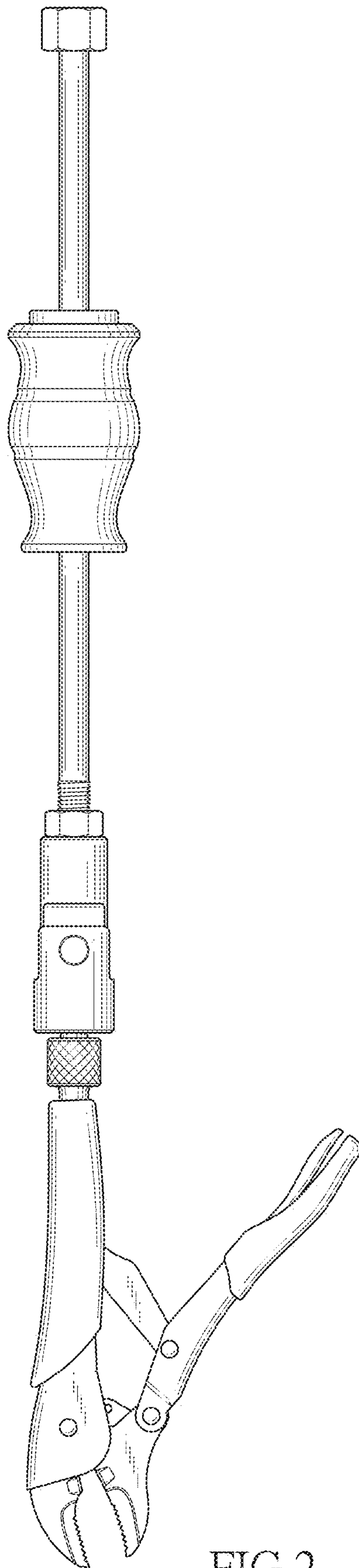


FIG.2

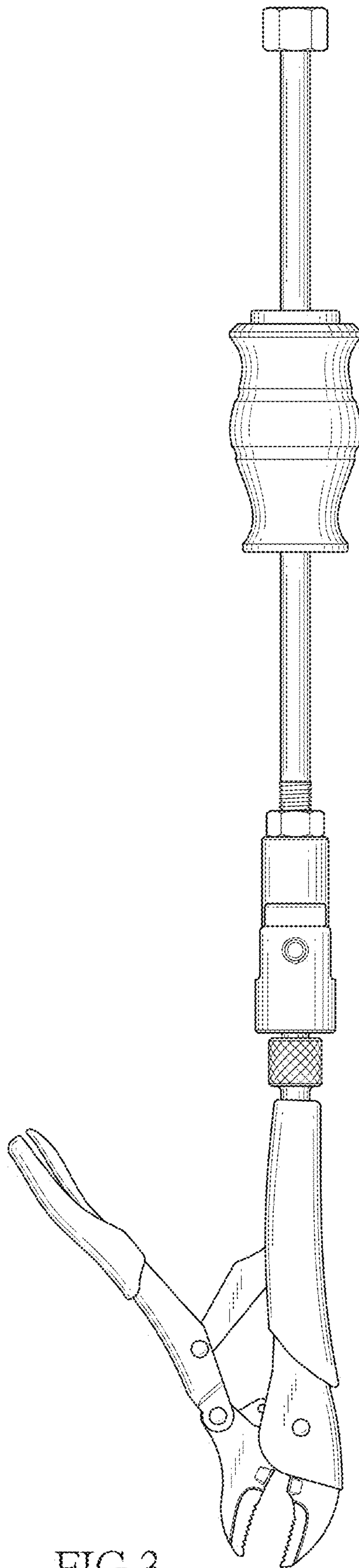


FIG.3

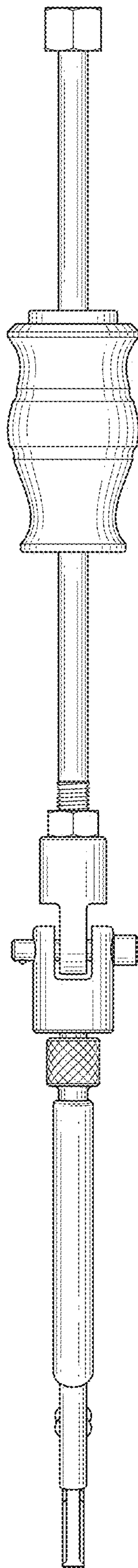


FIG.4

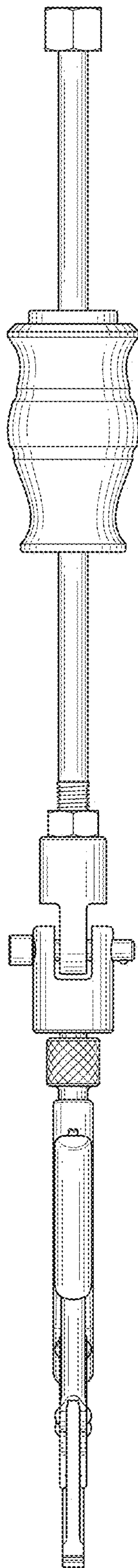


FIG.5

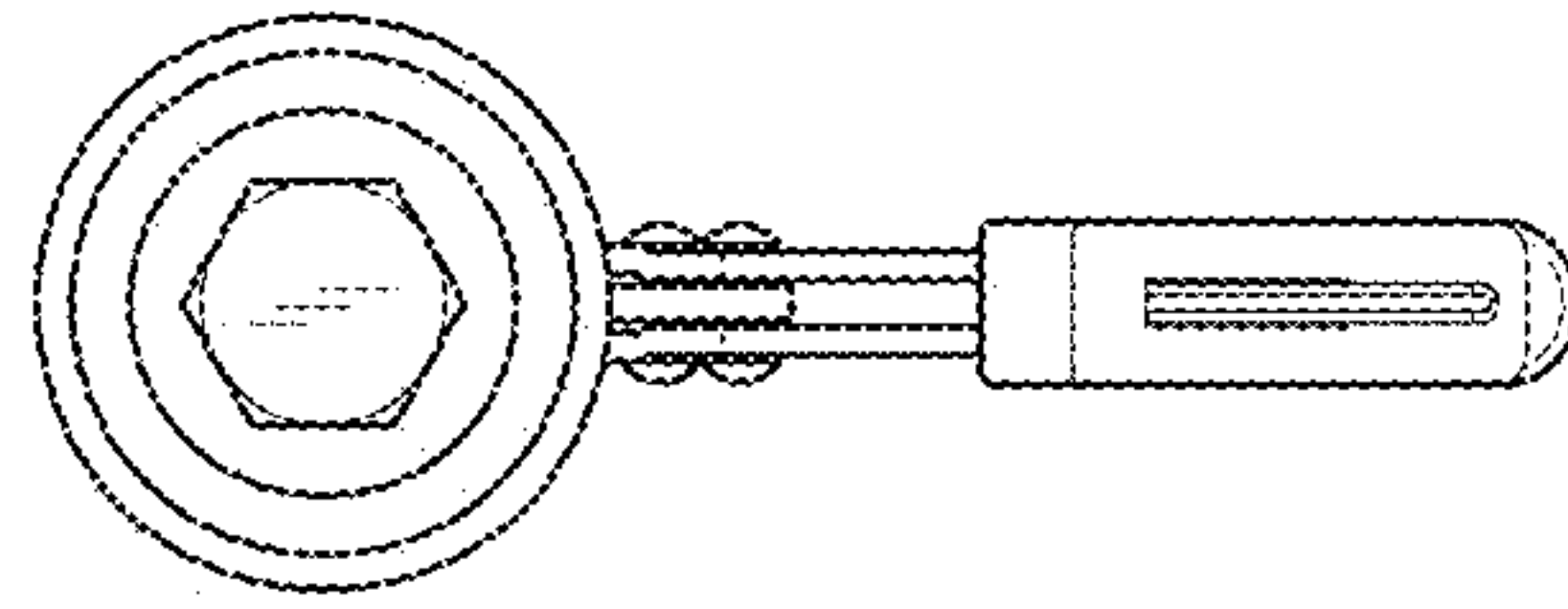


FIG.6

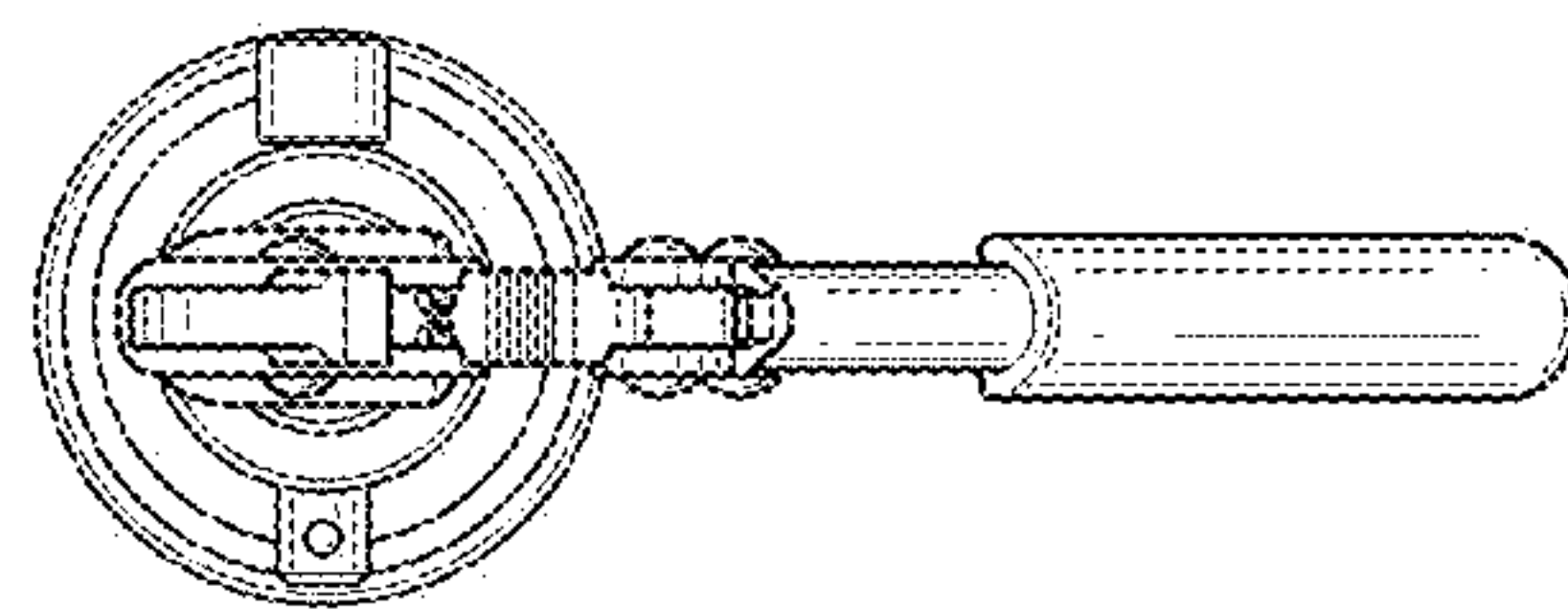


FIG.7