



US00D962734S

(12) **United States Design Patent**
Sullivan

(10) **Patent No.:** **US D962,734 S**
(45) **Date of Patent:** **** Sep. 6, 2022**

- (54) **BRICK CLIP HOOK**
- (71) Applicant: **Scott Sullivan**, San Francisco, CA (US)
- (72) Inventor: **Scott Sullivan**, San Francisco, CA (US)
- (**) Term: **15 Years**
- (21) Appl. No.: **29/725,910**
- (22) Filed: **Feb. 27, 2020**
- (51) **LOC (13) Cl.** **08-05**
- (52) **U.S. Cl.**
USPC **D8/19; D8/51; D8/73**
- (58) **Field of Classification Search**
USPC D8/19, 29, 45, 51, 73, 373, 349; 33/408,
33/410, 518; 518/62, 16, 116, 197
CPC E04G 21/16; E04G 21/162; E04G 21/1808
See application file for complete search history.

- 3,119,186 A * 1/1964 Stewart E04G 21/1825
33/408
 - 3,751,810 A * 8/1973 Valva E04G 21/1825
D10/61
 - D274,590 S * 7/1984 Miura D6/326
 - D312,347 S * 11/1990 Brown D2/626
 - 5,125,162 A * 6/1992 Prebeck E04G 21/1825
33/408
 - D338,143 S * 8/1993 Alfano E04G 21/16
D8/51
 - D420,554 S * 2/2000 Evans D8/1
- (Continued)

(56) **References Cited**

U.S. PATENT DOCUMENTS

- D4,698 S * 3/1871 Smith D11/218
- 113,799 A * 4/1871 Rugg E04G 21/16
294/117
- 468,872 A * 2/1892 Hansen E04G 21/16
269/238
- 736,170 A * 8/1903 Stuver A41F 11/02
606/151
- 764,059 A * 7/1904 Langford E04G 21/16
294/62
- 800,341 A * 9/1905 Tift E04G 21/16
294/62
- 828,576 A * 8/1906 Shaffrank E04G 21/16
294/62
- 849,897 A * 4/1907 Hall B25J 15/0616
16/DIG. 8
- 870,450 A * 11/1907 Mayer E04G 21/16
294/62
- 2,622,433 A * 12/1952 Jones F27D 1/004
52/506.03
- 2,806,290 A * 9/1957 Tiefel E04G 21/1825
33/408

OTHER PUBLICATIONS

“Sxueg Brick Hook Clips for Hanging, Metal Hook for Hanging Outdoor Clips for Pictures Fits Brick 2 ¼ Inch to 2 ¾ Inch”, Amazon.co.uk, Oct. 18, 2020, accessed Mar. 8, 2022 URL:<<https://www.amazon.co.uk/Hanging-Outdoor-Pictures-Bronze-Bricks/dp/B08L7V1RZ2/>> (Year: 2020).*

Primary Examiner — Rachel A. Voorhies
Assistant Examiner — Benjamin D. Wannemacher

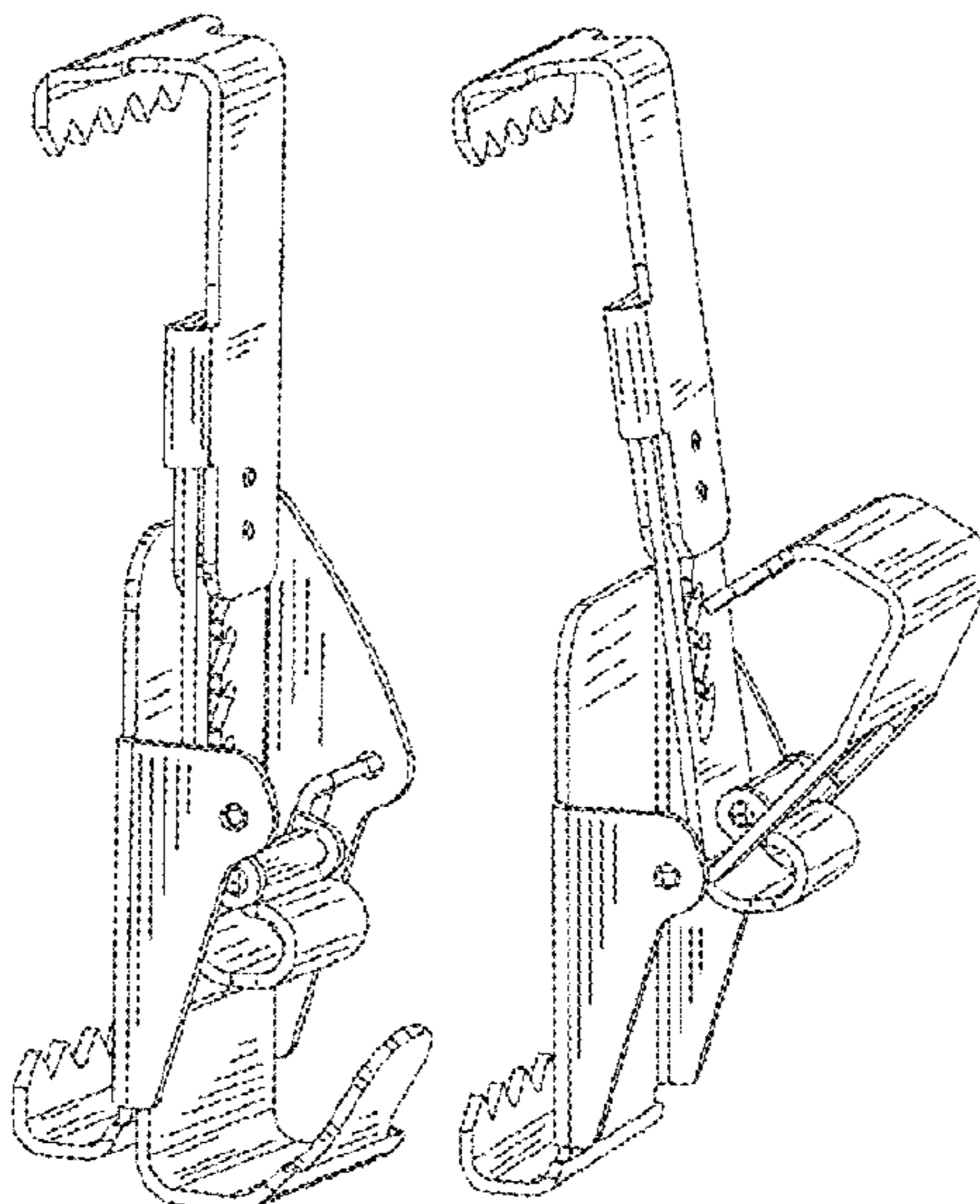
(57) **CLAIM**

The ornamental design for a brick clip hook, as shown and described.

DESCRIPTION

FIG. 1 is a front perspective view of a brick clip hook showing my new design, in a closed position; FIG. 2 is a front perspective view thereof, shown in an open position; FIG. 3 is a front elevation view thereof; FIG. 4 is a rear elevation view thereof; FIG. 5 is a right side view thereof; FIG. 6 is a left side view thereof; FIG. 7 is a bottom plan view thereof; and, FIG. 8 is a top plan view thereof.

1 Claim, 4 Drawing Sheets



(56)

References Cited

U.S. PATENT DOCUMENTS

D491,446 S * 6/2004 Vidmar E04G 21/16
D8/373
7,997,633 B2 * 8/2011 Bahler B65G 7/12
269/228
D854,901 S * 7/2019 Orikawa D8/51
D865,499 S * 11/2019 Krake D8/367
2001/0023913 A1 * 9/2001 Gary F16B 13/08
248/231.91
2003/0214142 A1 * 11/2003 Barreto E04G 21/16
294/16

* cited by examiner

FIG. 1

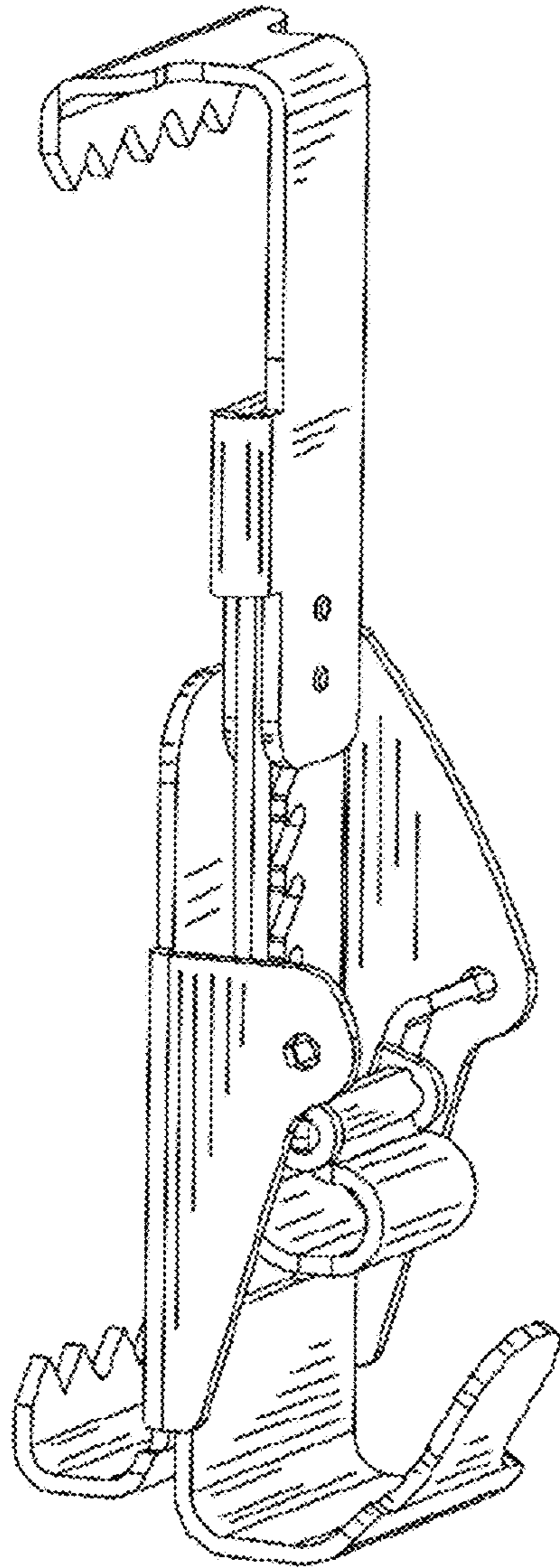


FIG. 2

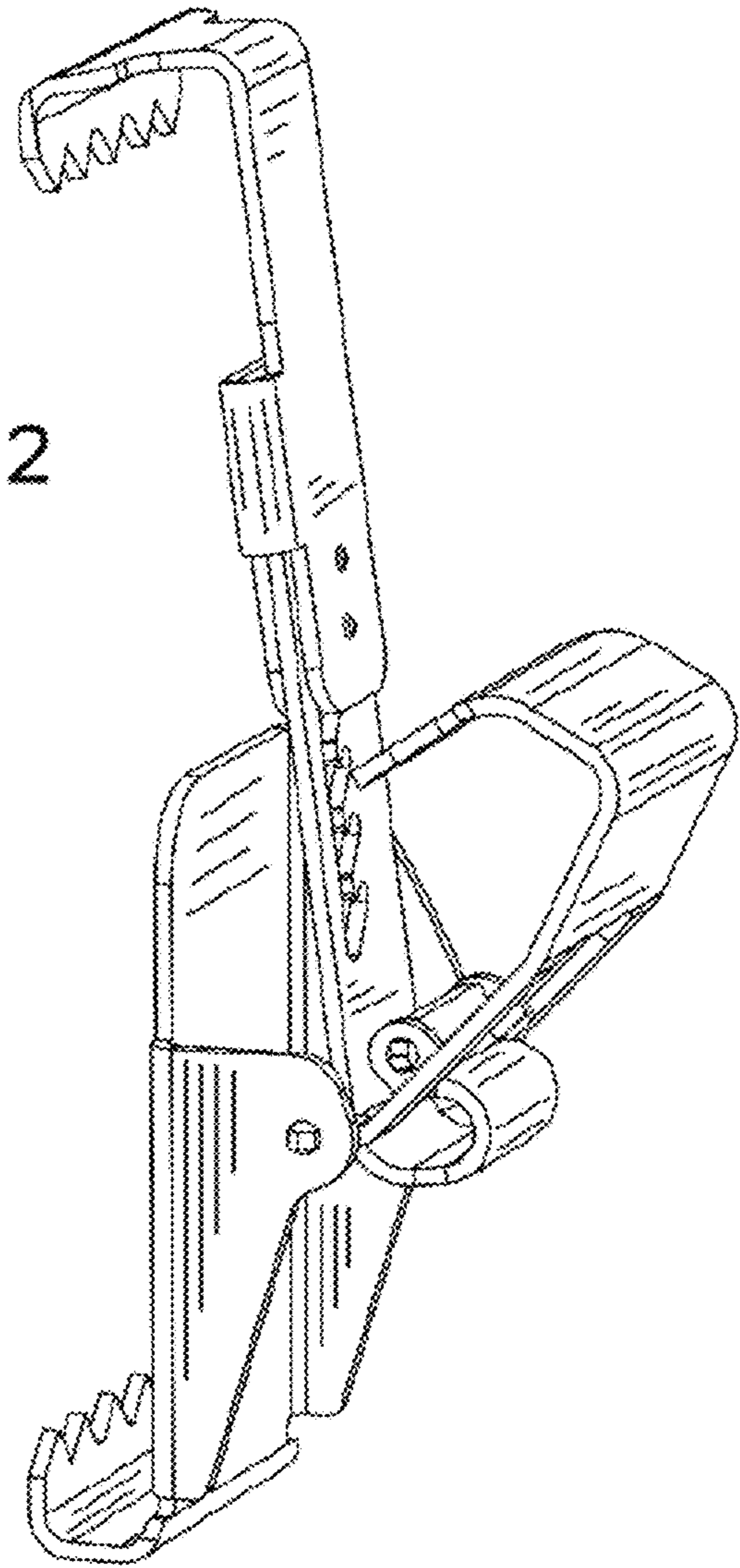


FIG. 3

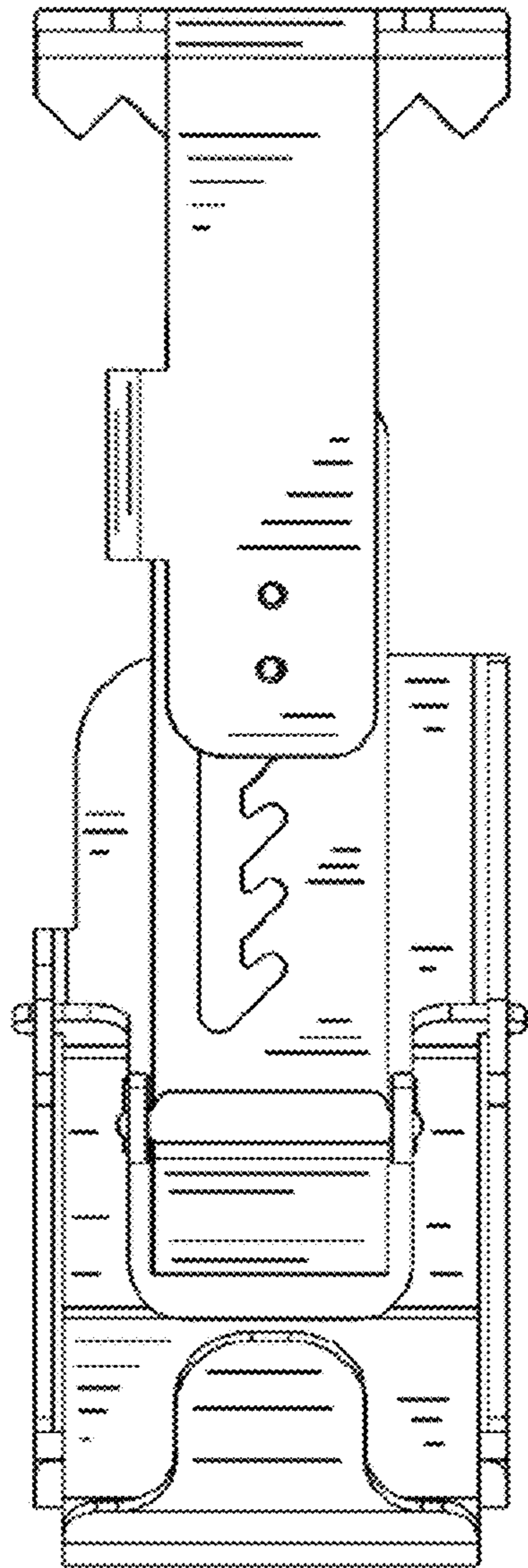


FIG. 4

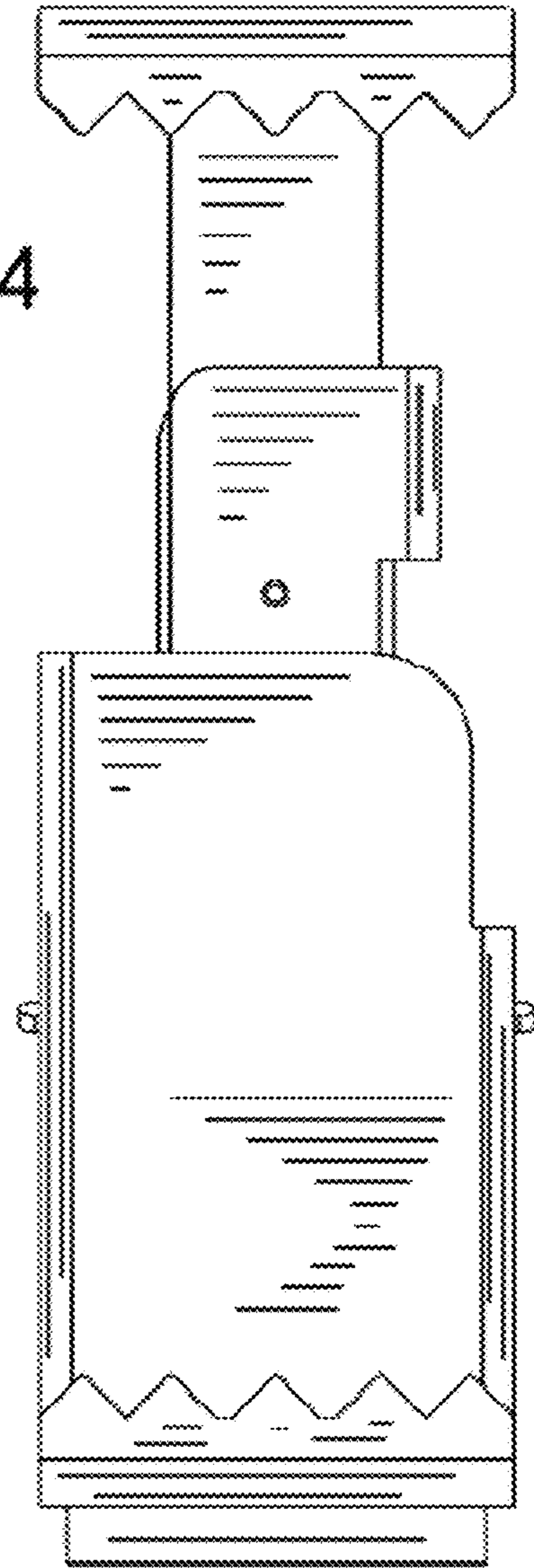


FIG. 5

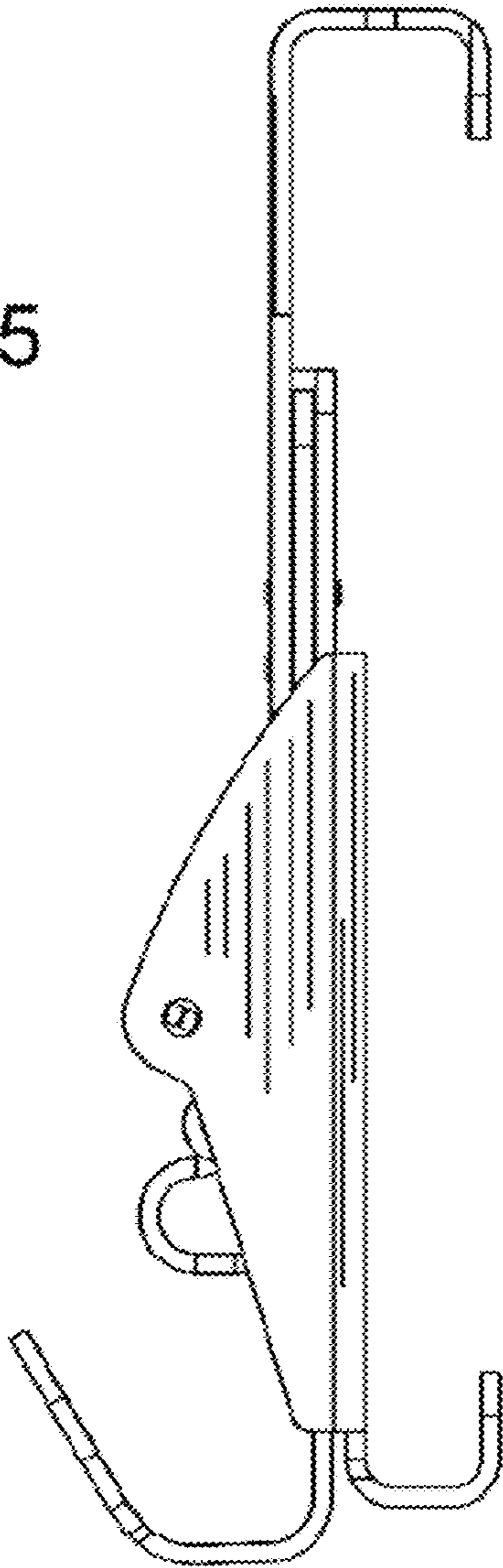


FIG. 6

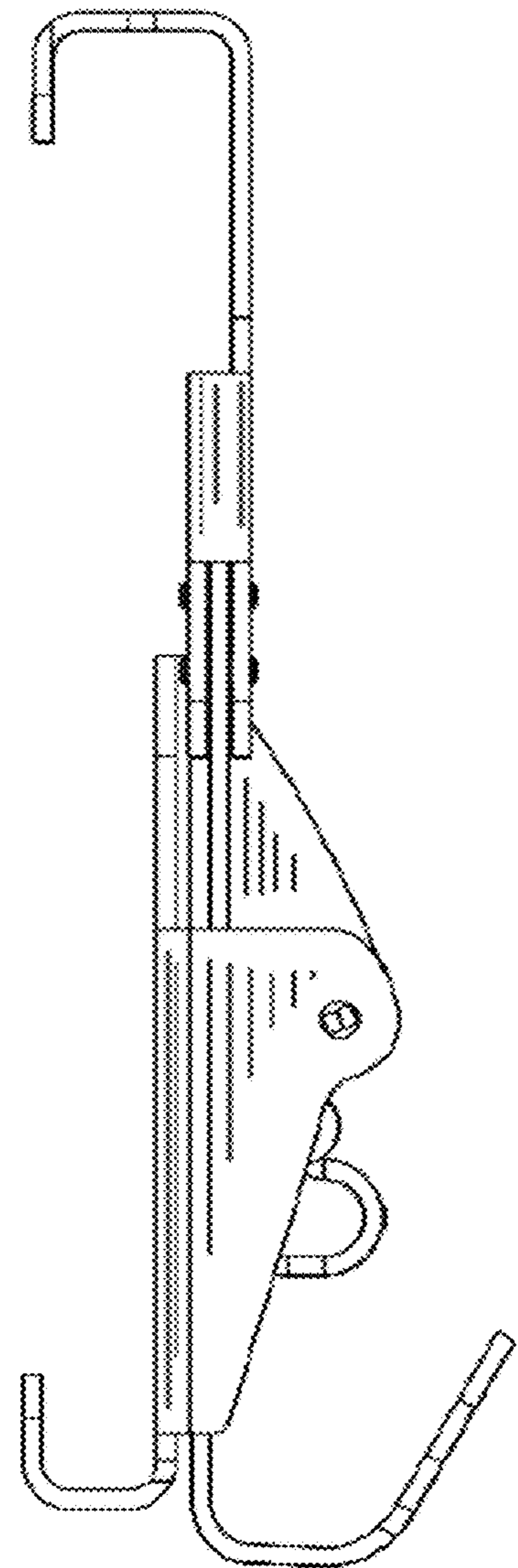


FIG. 7

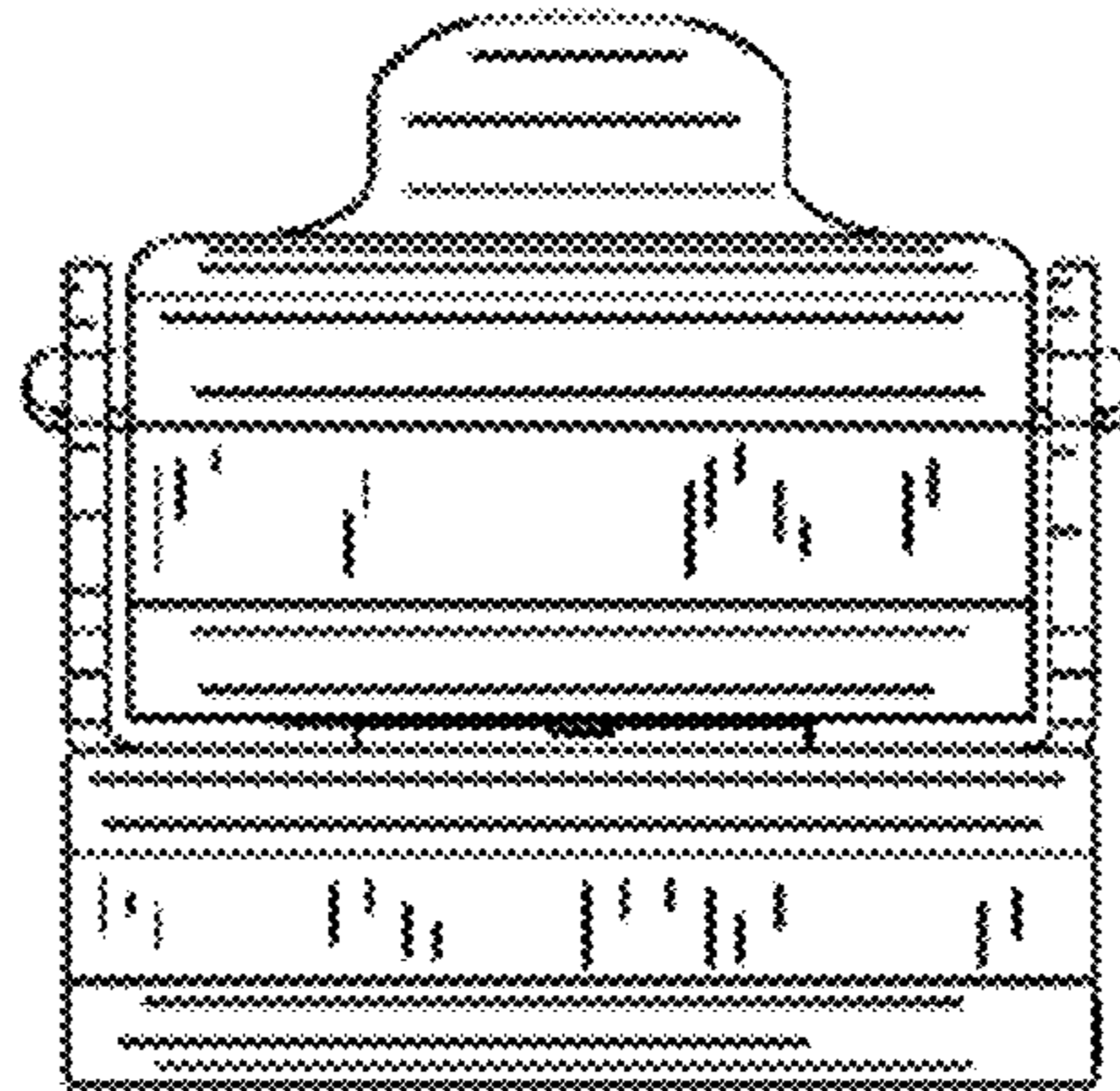


FIG. 8

