



US00D962732S

(12) **United States Design Patent** (10) **Patent No.:** **US D962,732 S**
Zhang (45) **Date of Patent:** **** Sep. 6, 2022**

(54) **CUTTER**
(71) Applicant: **Siduo Zhang**, Guangdong (CN)
(72) Inventor: **Siduo Zhang**, Guangdong (CN)
(73) Assignee: **GUANGZHOU BAOMEI NETWORK TECHNOLOGY CO., LTD.**, Guangzhou (CN)
(**) Term: **15 Years**
(21) Appl. No.: **29/786,097**
(22) Filed: **May 28, 2021**
(51) **LOC (13) Cl.** **07-04**
(52) **U.S. Cl.**
USPC **D7/694**
(58) **Field of Classification Search**
USPC D7/680–696, 368, 669, 393, 395; D3/18;
D8/98
CPC B26B 25/00; B26B 25/005; A21C 3/021;
A21C 3/00; A21C 5/00
See application file for complete search history.

D894,698 S * 9/2020 Klipshtein D7/688
D917,990 S 5/2021 Zhu
2010/0313432 A1* 12/2010 Caswell B26B 25/005
30/301

OTHER PUBLICATIONS

Amazon.com, Amazon commercial Stainless Steel Pizza Cutter, AmazonCommercial, ASIN: B087QDF11V, pp. 1-9, date first available Nov. 25, 2020. (Year: 2020).*
Amazon.com, J. A. Henckels International Pizza Cutter, J. A. Henckels, ASIN: B00CRY3ZOK, pp. 1-10, date first available May 7, 2013. (Year: 2013).*
Amazon.com, Rosle Stainless Stell Round-handle Pizza Cutter, Rosle, ASIN: B000063Y82, pp. 1-13, date first available Apr. 9, 2002. (Year: 2002).*
Amazon.com, Hansgo Pizza Cutter Wheel, Hansgo, ASIN: B094N5BGN6, pp. 1-11, date first available May 11, 2021. (Year: 2021).*

* cited by examiner

Primary Examiner — Terry A Wallace

(57) **CLAIM**

The ornamental design for a cutter, as shown and described.

DESCRIPTION

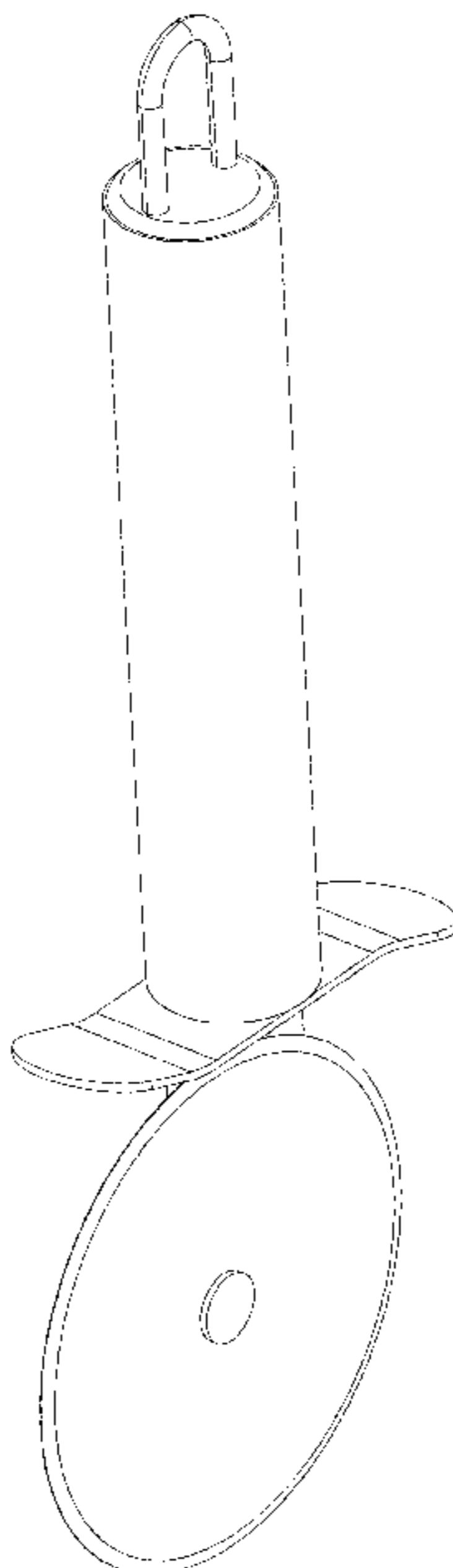
FIG. 1 is a top, front, right side perspective view of a cutter showing my new design;
FIG. 2 is a bottom, rear, left side perspective view thereof;
FIG. 3 is a front elevation view thereof;
FIG. 4 is a rear elevation view thereof;
FIG. 5 is a left side elevation view thereof;
FIG. 6 is a right side elevation view thereof;
FIG. 7 is an enlarged top plan view thereof; and,
FIG. 8 is an enlarged bottom plan view thereof.

1 Claim, 6 Drawing Sheets

(56) **References Cited**

U.S. PATENT DOCUMENTS

482,830 A * 9/1892 Morgan B26B 25/00
30/319
D461,380 S * 8/2002 Law D7/694
D486,703 S * 2/2004 Settele D7/695
D526,544 S * 8/2006 Settele D7/693
7,181,848 B1 * 2/2007 Tochtrop B26B 25/005
30/294
7,827,696 B2 * 11/2010 Settele A01F 5/00
D7/693
D737,638 S 9/2015 Roberts et al.
D760,557 S * 7/2016 Schuler D7/694
D801,132 S * 10/2017 Hauser D7/694
D825,288 S * 8/2018 Liu D7/694



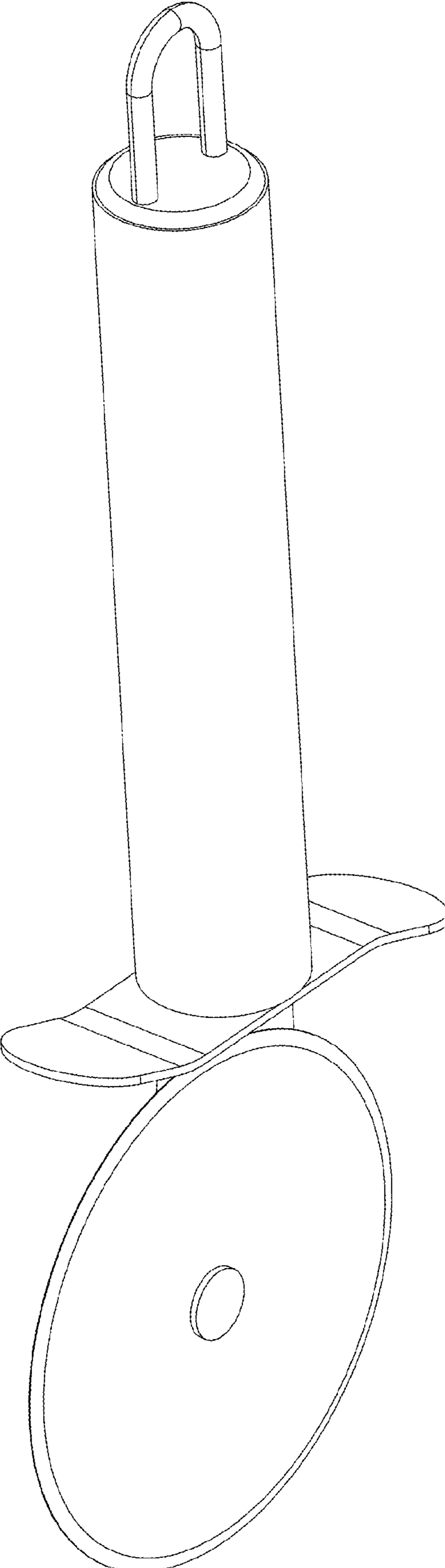


FIG.1

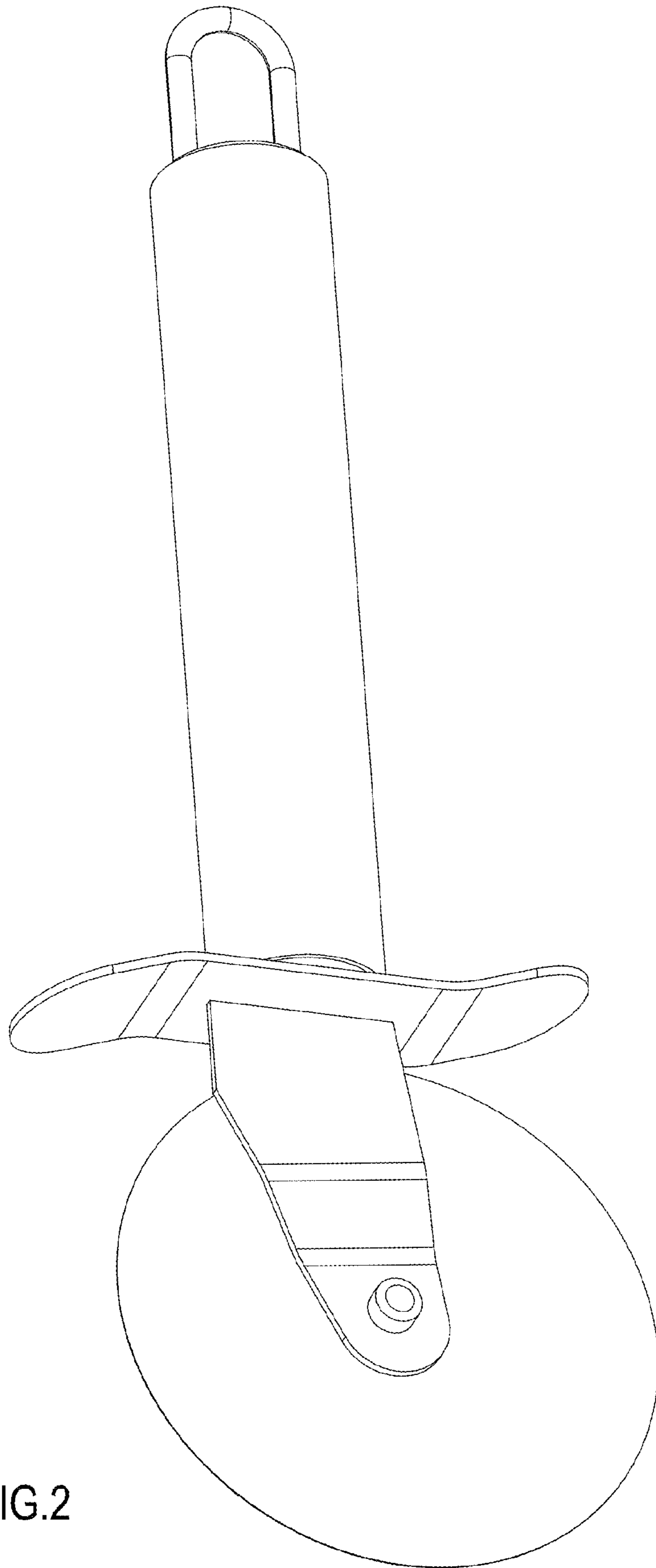


FIG.2

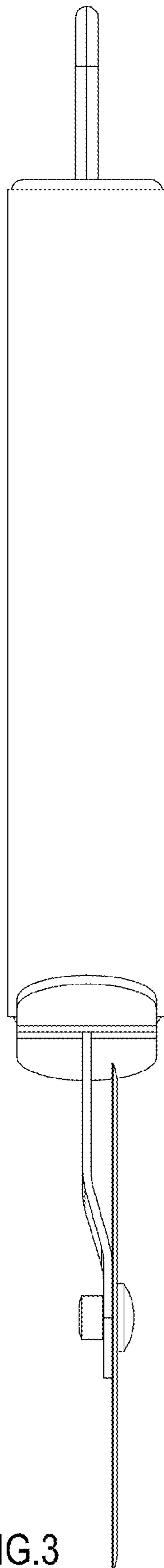


FIG.3

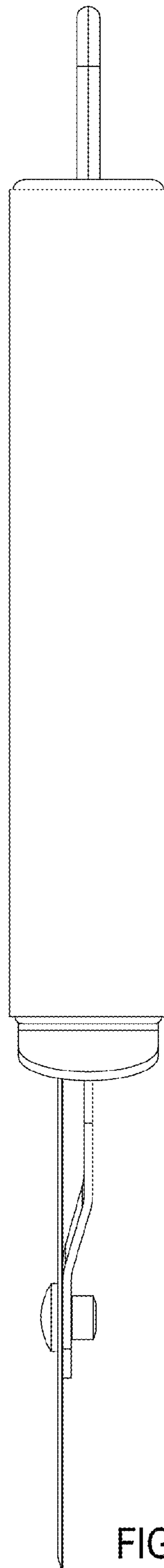


FIG.4

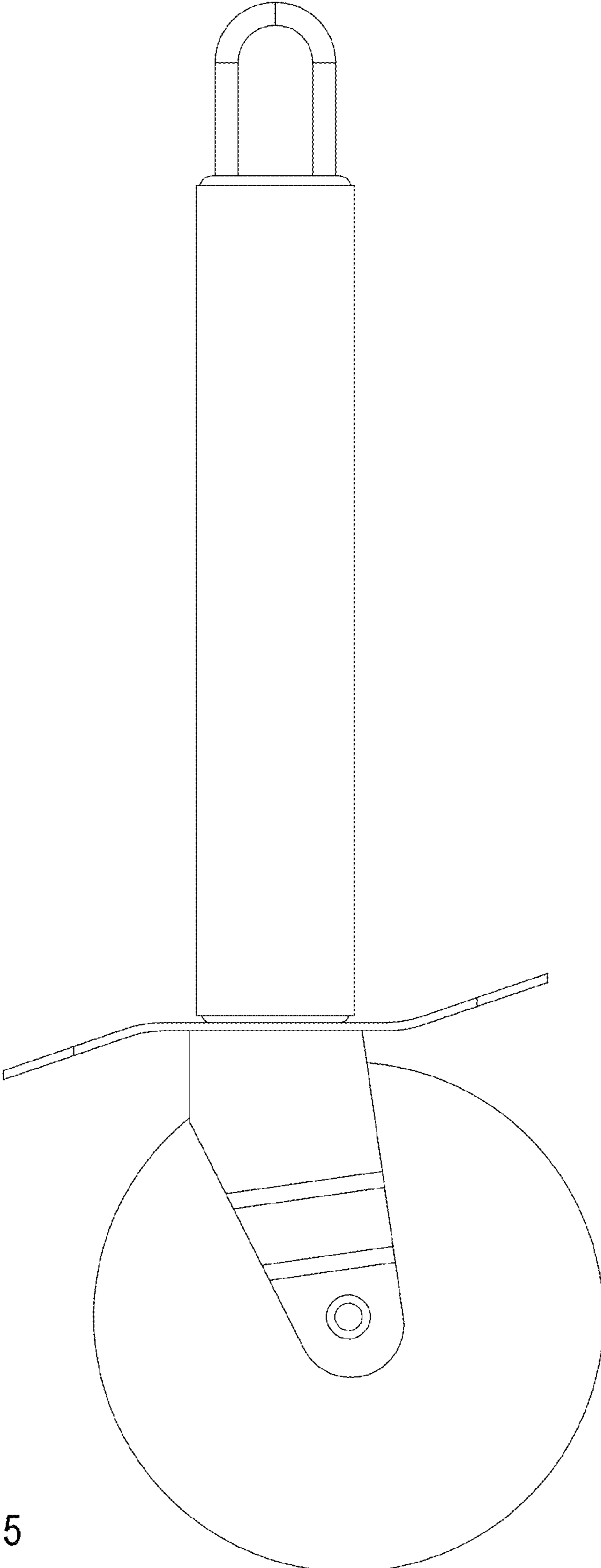


FIG.5

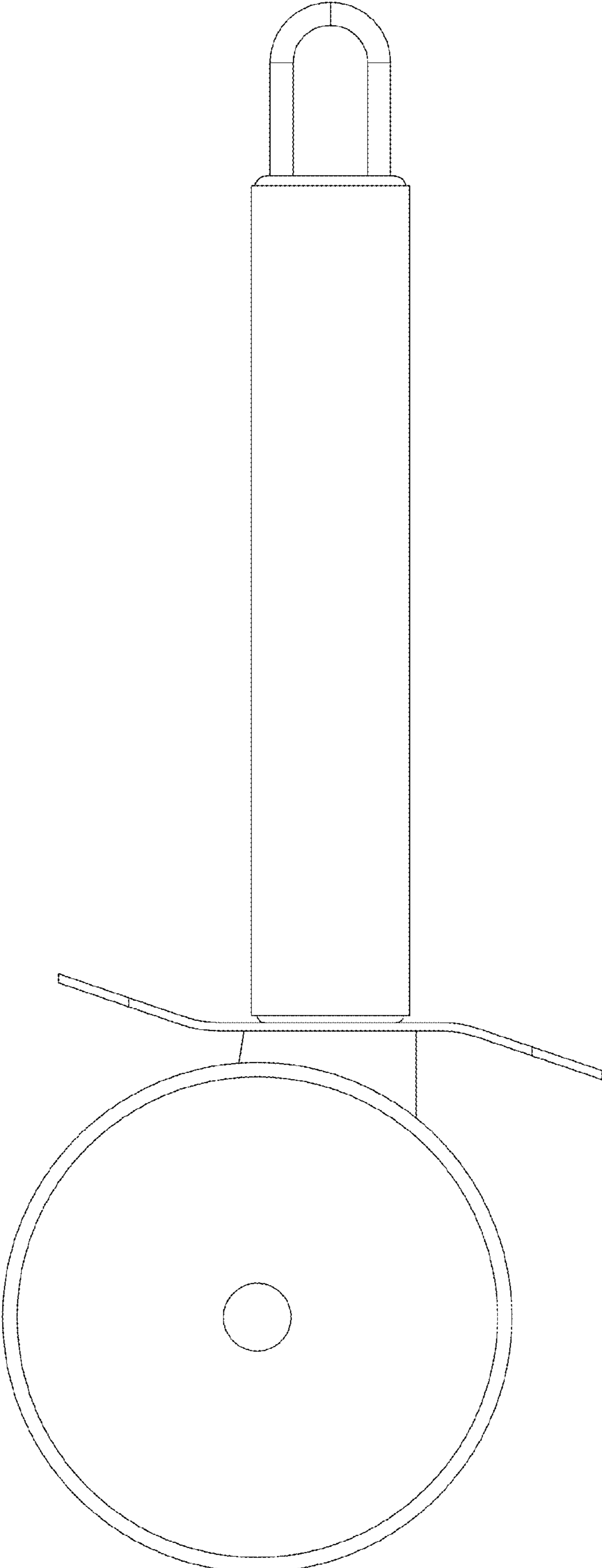


FIG.6

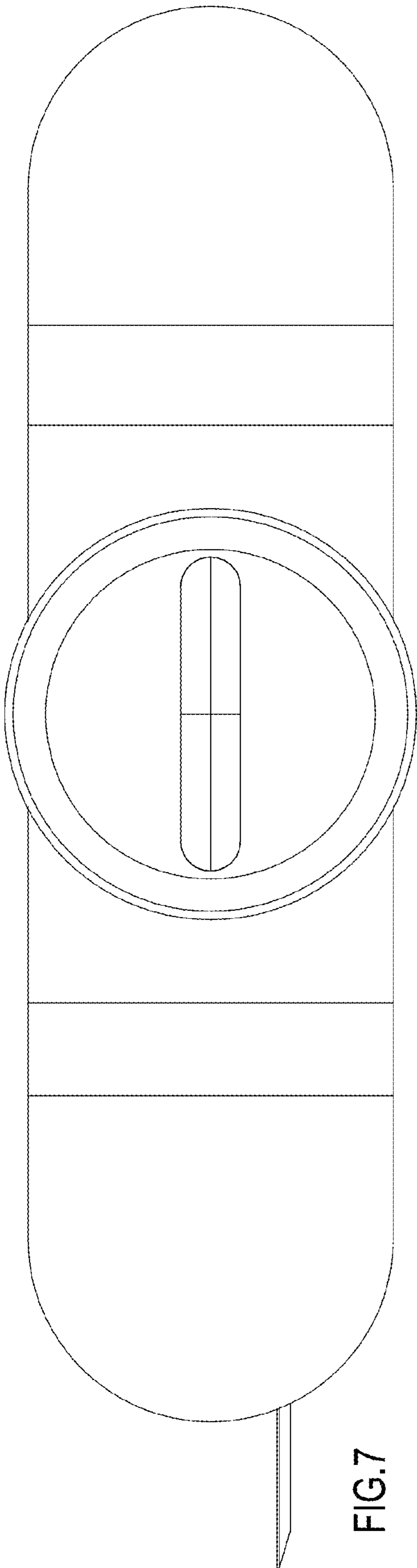


FIG. 7

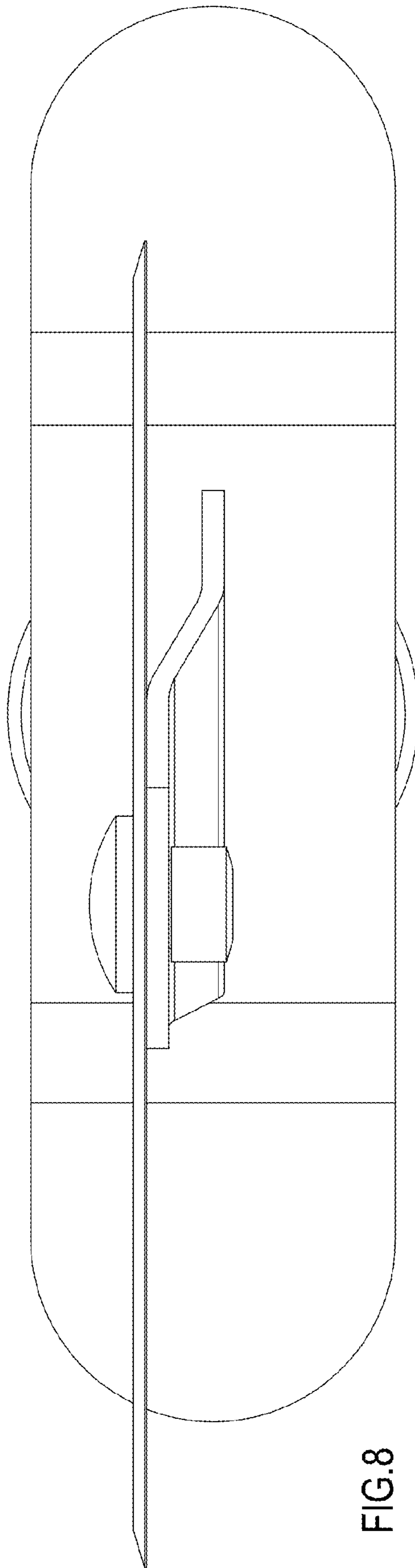


FIG. 8