

US00D962729S

(12) **United States Design Patent**
Zhang

(10) **Patent No.:** **US D962,729 S**
(45) **Date of Patent:** **** Sep. 6, 2022**

- (54) **SPAGHETTI FORK**
- (71) Applicant: **Siduo Zhang**, Guangdong (CN)
- (72) Inventor: **Siduo Zhang**, Guangdong (CN)
- (73) Assignee: **GUANGZHOU BAOMEI NETWORK TECHNOLOGY CO., LTD.**, Guangzhou (CN)
- (**) Term: **15 Years**
- (21) Appl. No.: **29/786,922**
- (22) Filed: **Jun. 3, 2021**
- (51) **LOC (13) Cl.** **07-04**
- (52) **U.S. Cl.**
USPC **D7/688**
- (58) **Field of Classification Search**
USPC D7/368, 669, 680–696, 393, 395
CPC A47J 43/288; A47J 43/283; A47J 43/284;
A47J 43/28; A47J 43/00; A47G 21/04;
A47G 21/02; A47G 21/00; A47G
2400/067
See application file for complete search history.

- D442,427 S * 5/2001 Chau D7/688
- D498,990 S * 11/2004 White D7/692
- D913,055 S 3/2021 Lacotta et al.
- D915,844 S 4/2021 Xie

OTHER PUBLICATIONS

Amazon.com, Chef Craft Premium Silicone Spaghetti/Fork, pp. 1-11, ASIN: B08SJCWZB5, date first available Jan. 8, 2021. (Year: 2021).*

* cited by examiner

Primary Examiner — Terry A Wallace

(57) **CLAIM**

The ornamental design for a spaghetti fork, as shown and described.

DESCRIPTION

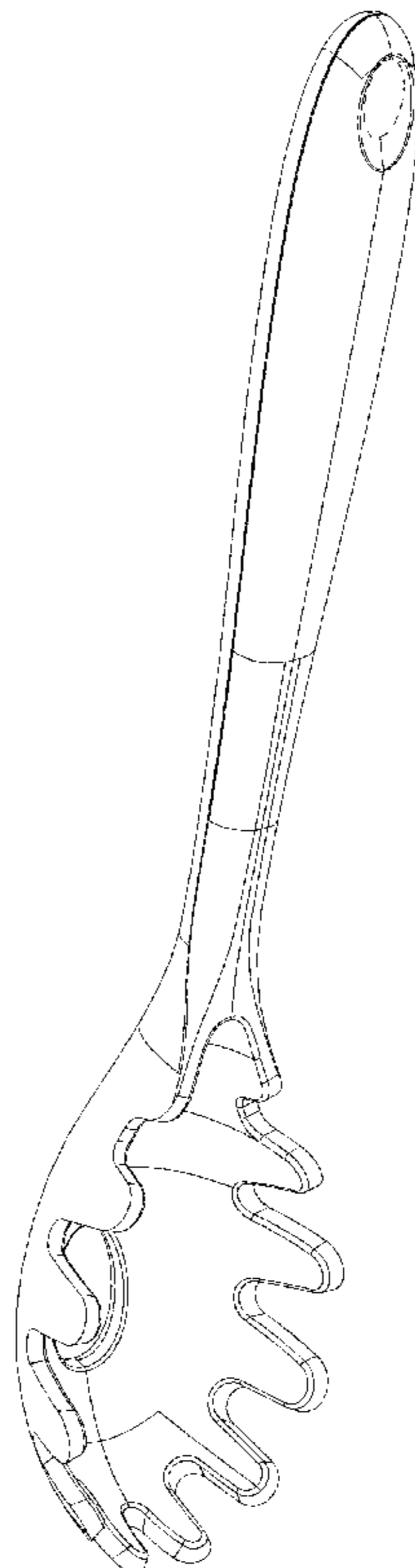
FIG. 1 is a front, left side perspective view of a spaghetti fork showing my new design;
 FIG. 2 is a rear, right side perspective view thereof;
 FIG. 3 is a front elevation view thereof;
 FIG. 4 is a rear elevation view thereof;
 FIG. 5 is a left side elevation view thereof, the right side elevation view being a mirror image of the left side elevation view;
 FIG. 6 is an enlarged top plan view thereof; and,
 FIG. 7 is an enlarged bottom plan view thereof.
 The broken lines in the drawings illustrate portions of the spaghetti fork that form no part of the claimed design.

1 Claim, 5 Drawing Sheets

(56) **References Cited**

U.S. PATENT DOCUMENTS

- 2,810,957 A * 10/1957 Robert A47G 21/02
D7/691
- D402,167 S * 12/1998 Durbin D7/688
- D419,041 S * 1/2000 Frank D7/688



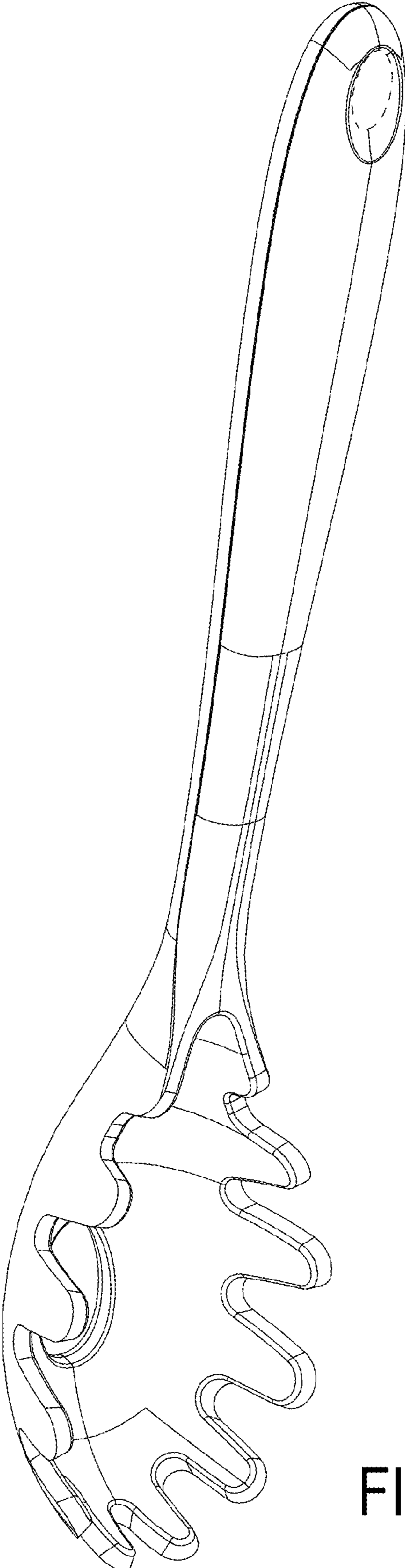


FIG. 1

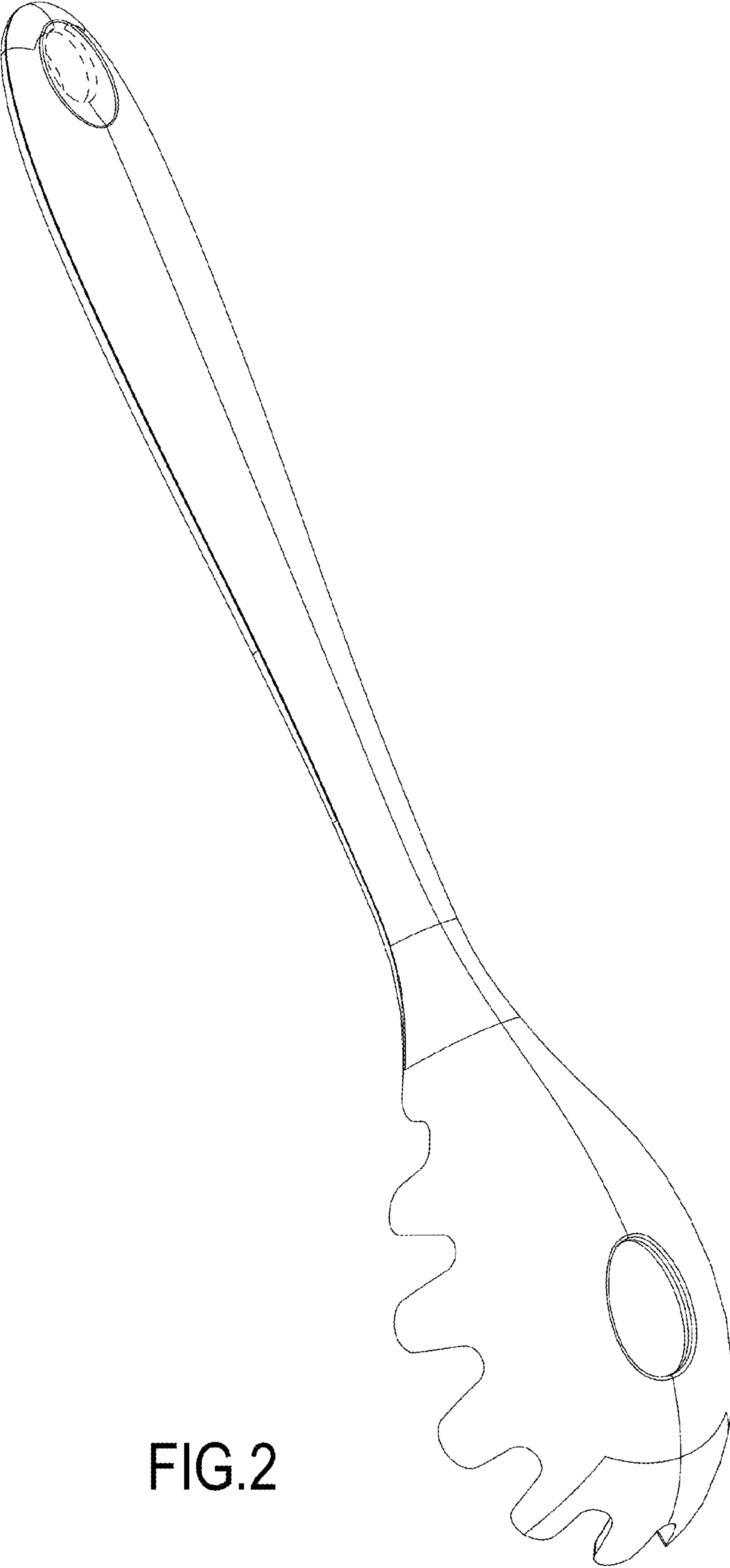


FIG.2

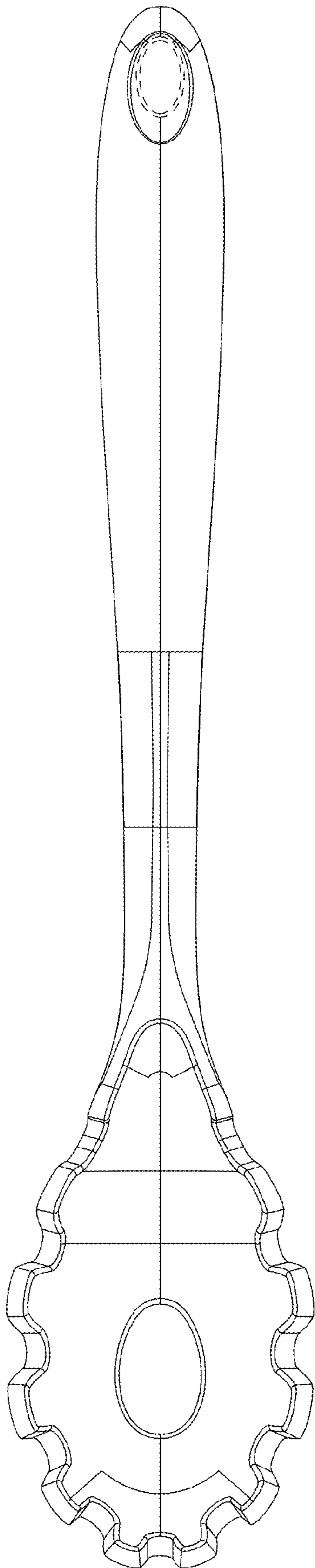


FIG.3

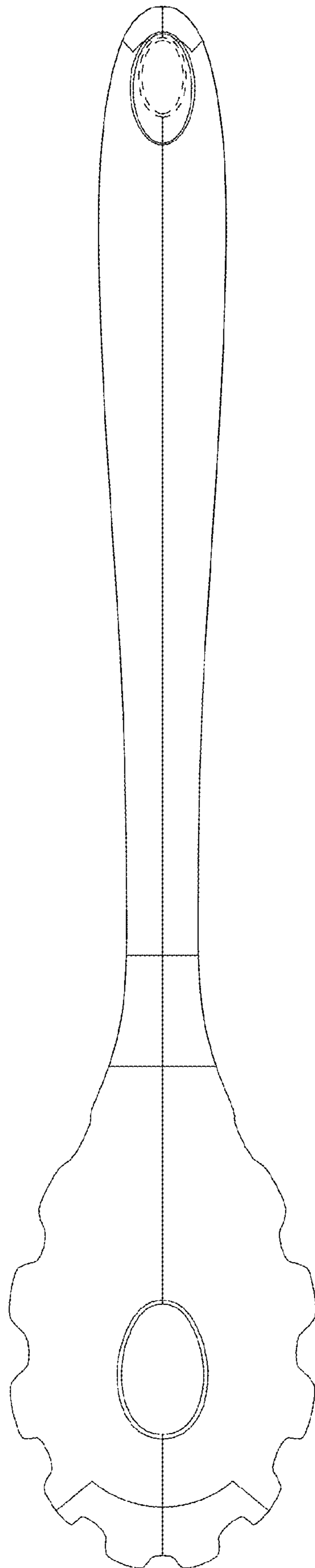


FIG.4

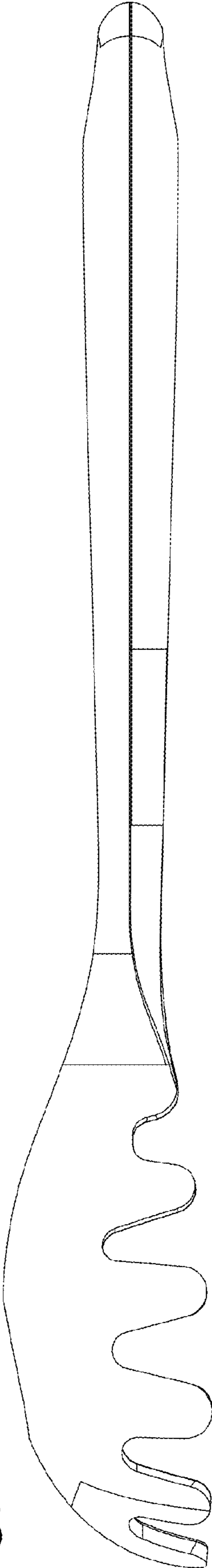


FIG.5

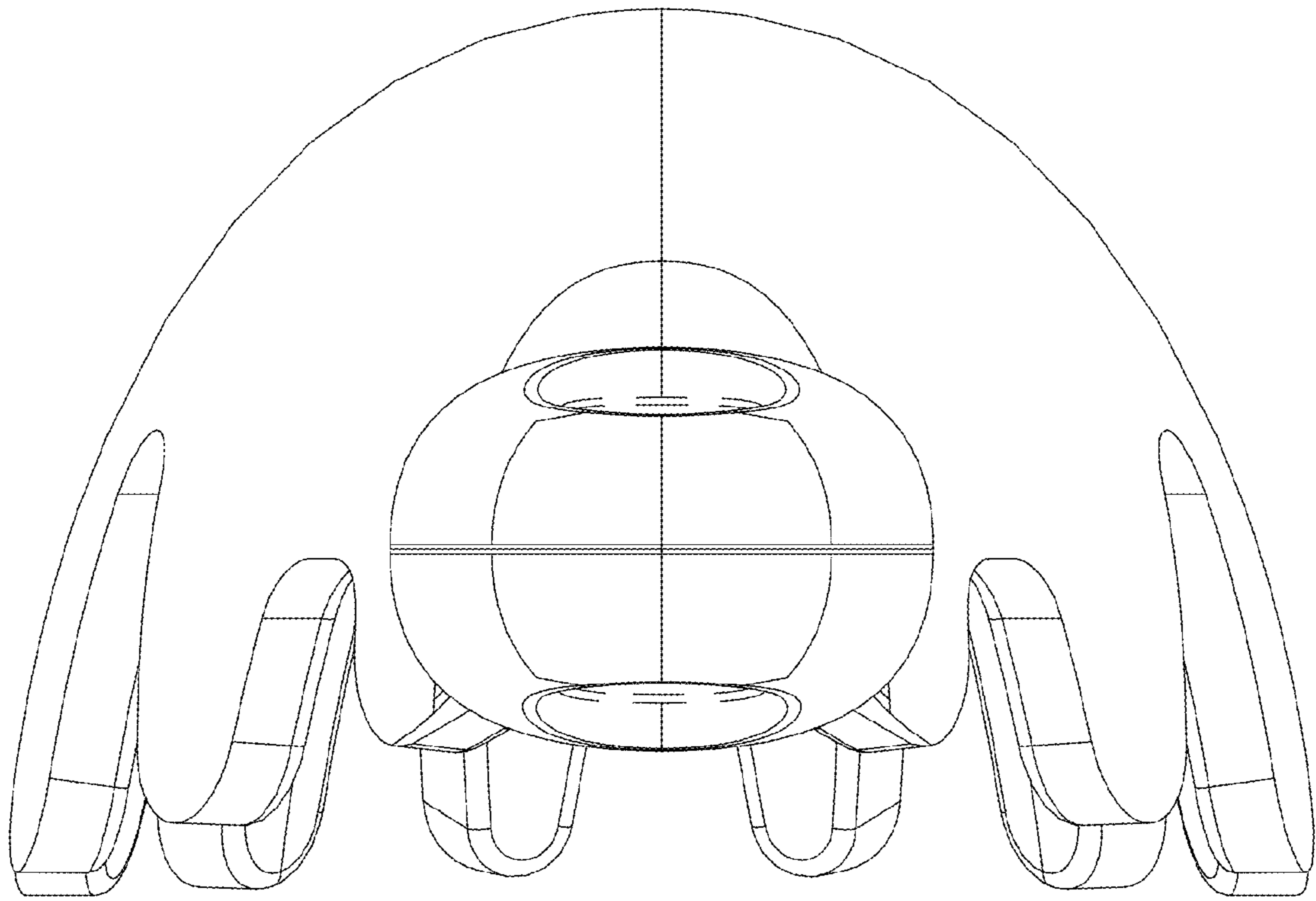


FIG. 6

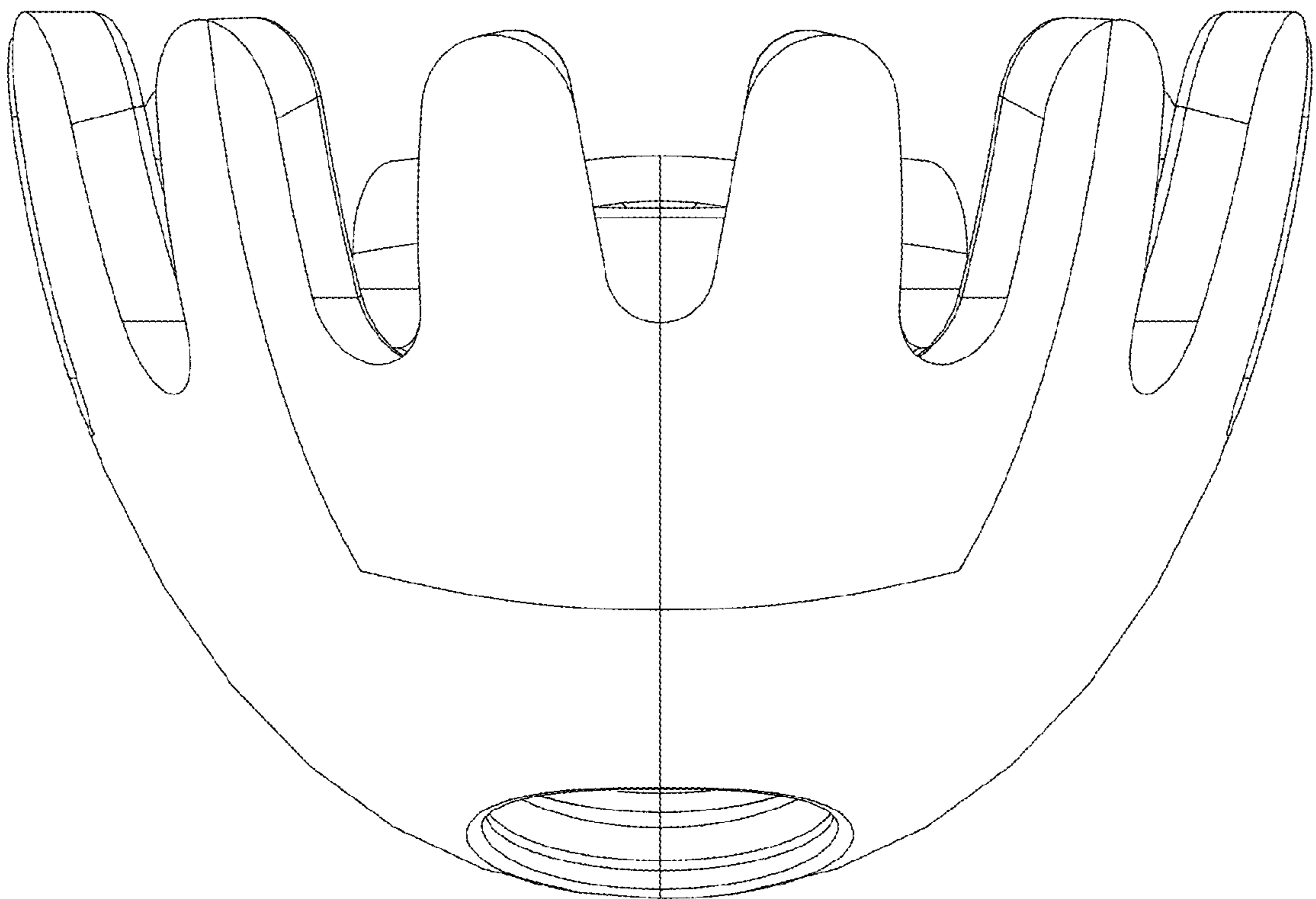


FIG. 7