



US00D962728S

(12) **United States Design Patent**
Carrette et al.

(10) **Patent No.:** **US D962,728 S**

(45) **Date of Patent:** **** Sep. 6, 2022**

(54) **HERB CHOPPER AND COVER FOR AN HERB CHOPPER**

(71) Applicant: **Dart Industries Inc.**, Orlando, FL (US)

(72) Inventors: **Johan Carrette**, Brussels (BE); **Steven J. Verbrugge**, Ghent (BE); **Junyu Ye**, Leuven (BE)

(73) Assignee: **Dart Industries Inc.**, Orlando, FL (US)

(**) Term: **15 Years**

(21) Appl. No.: **29/767,043**

(22) Filed: **Jan. 20, 2021**

(51) **LOC (13) Cl.** **07-04**

(52) **U.S. Cl.**
USPC **D7/679; D7/372**

(58) **Field of Classification Search**
USPC D7/679, 693, 629, 601, 602, 678, 372,
D7/373, 381, 384, 538-542
CPC .. A47J 42/40; A47J 42/04; A47J 42/14; A47J
42/24; A47J 42/34; A47J 43/25; A47J
43/255; A47J 43/04; A47J 43/06; B02C
18/24; B02C 18/08; B02C 18/16; B02C
18/00

See application file for complete search history.

(56) **References Cited**

U.S. PATENT DOCUMENTS

4,311,283 A * 1/1982 Bounds A47J 42/34
241/168
D530,995 S * 10/2006 Jalet D7/693

D549,530 S * 8/2007 Bodum D7/693
D614,457 S * 4/2010 Jossem et al.
D673,006 S * 12/2012 Kent D7/693
D693,650 S * 11/2013 De Leo D7/629
D708,903 S * 7/2014 Wong D7/378
D725,960 S * 4/2015 Fu D7/381
D770,240 S * 11/2016 Stover D7/630
D786,028 S * 5/2017 Mor D7/677
D854,874 S * 7/2019 Joseph D7/354
D873,628 S * 1/2020 Chen D7/673

* cited by examiner

Primary Examiner — Terry A Wallace

(74) *Attorney, Agent, or Firm* — Taylor J. Ross

(57) **CLAIM**

The ornamental design for an herb chopper and cover for an herb chopper, as shown and described.

DESCRIPTION

FIG. 1 is a top, front and right side isometric view of an herb chopper and cover for an herb chopper showing our new design;

FIG. 2 is a bottom, front and left side isometric view thereof;

FIG. 3 is a top plan view thereof;

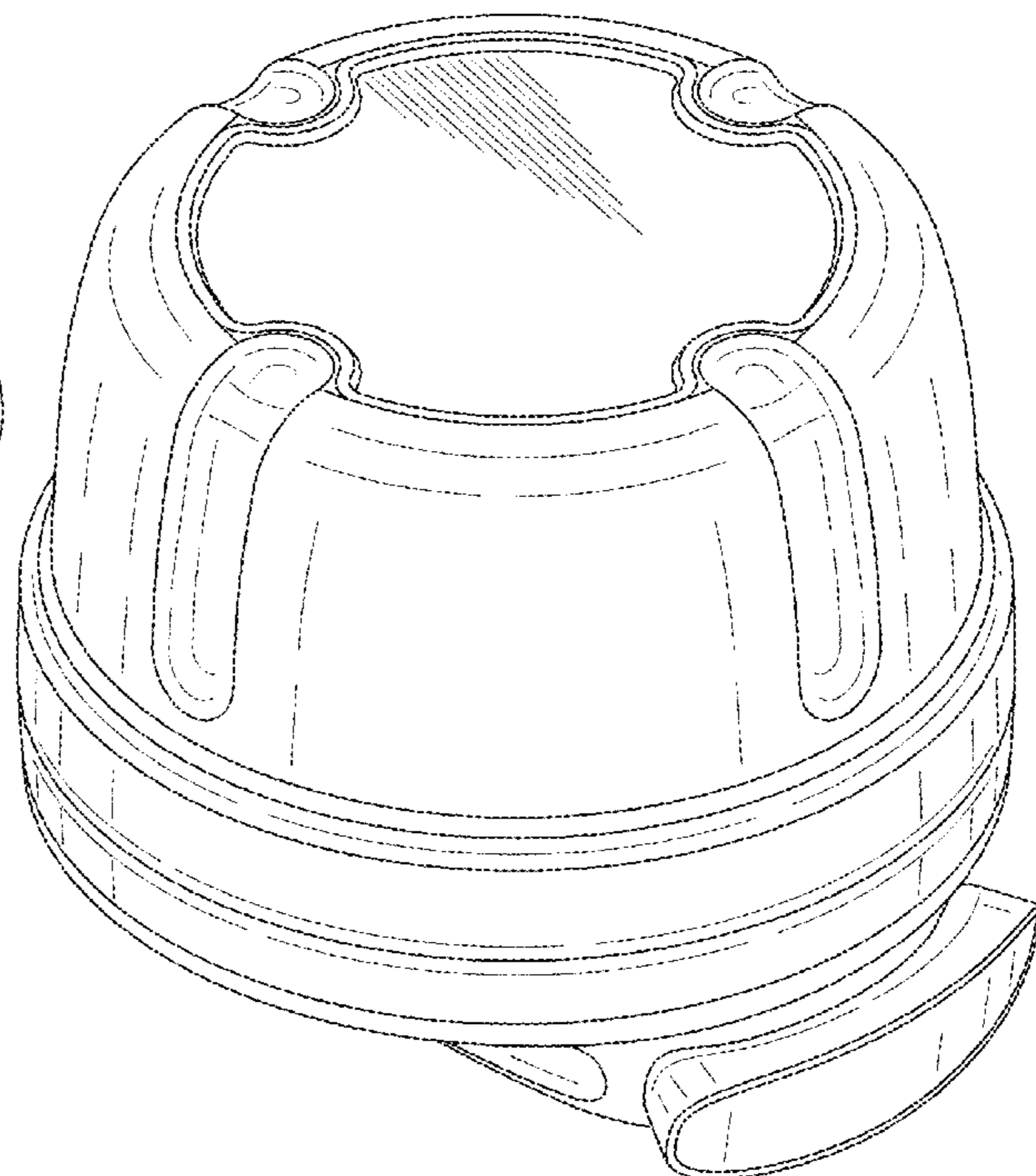
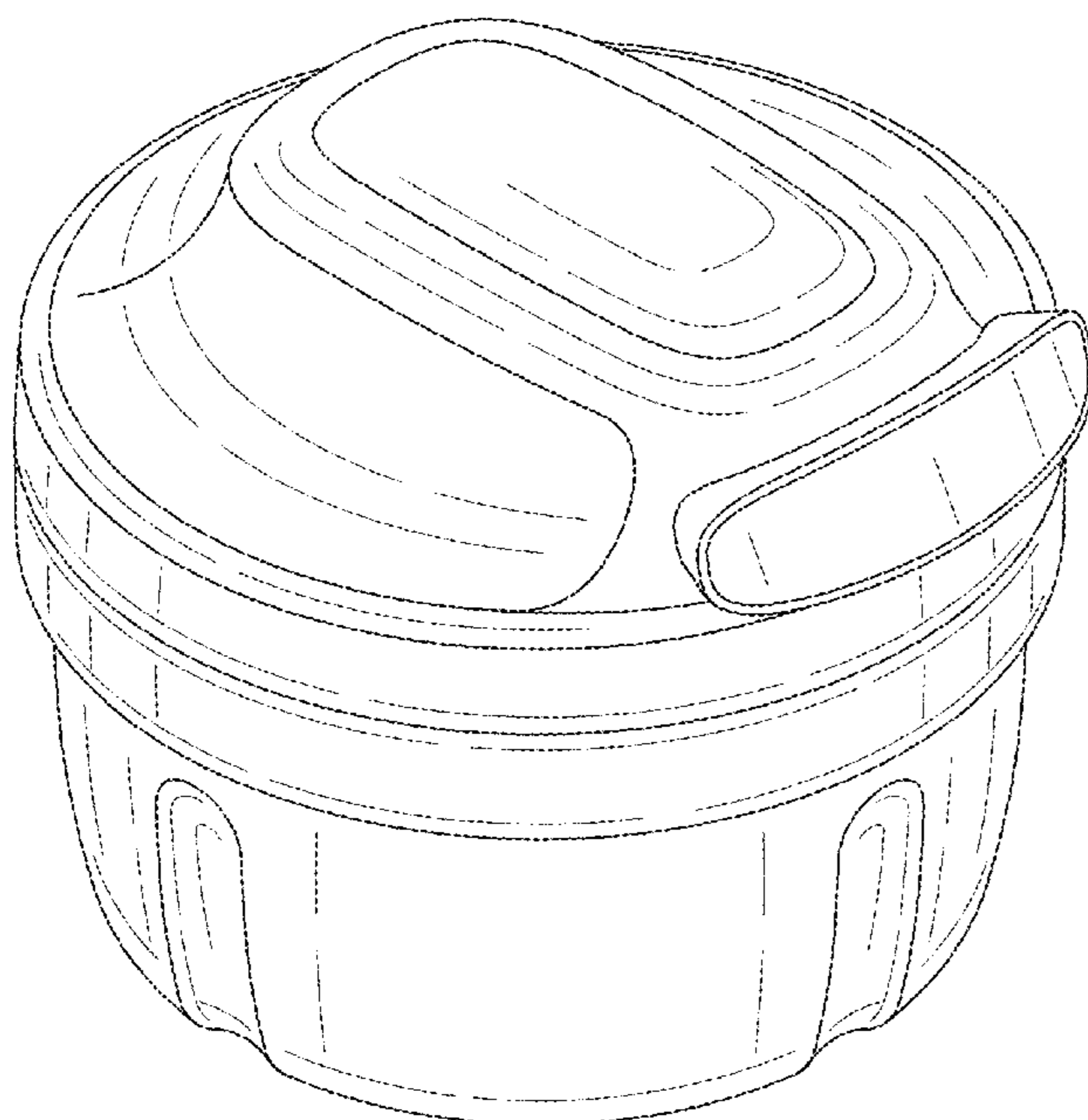
FIG. 4 is a bottom plan view thereof;

FIG. 5 is a front elevation view thereof;

FIG. 6 is a rear elevation view thereof; and,

FIG. 7 is a right side elevation view, the left side elevation being a mirror image thereof.

1 Claim, 4 Drawing Sheets



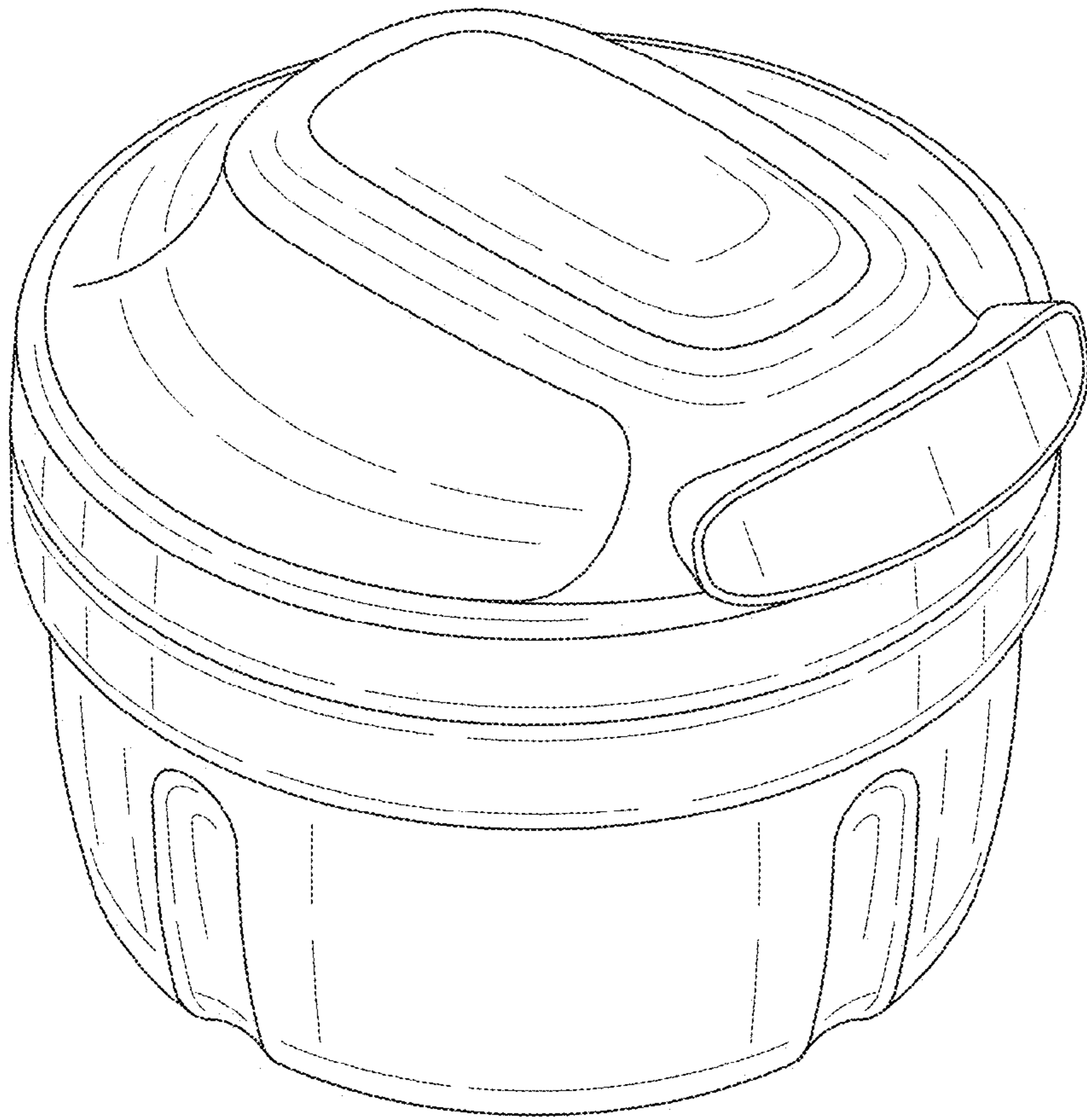


FIG. 1

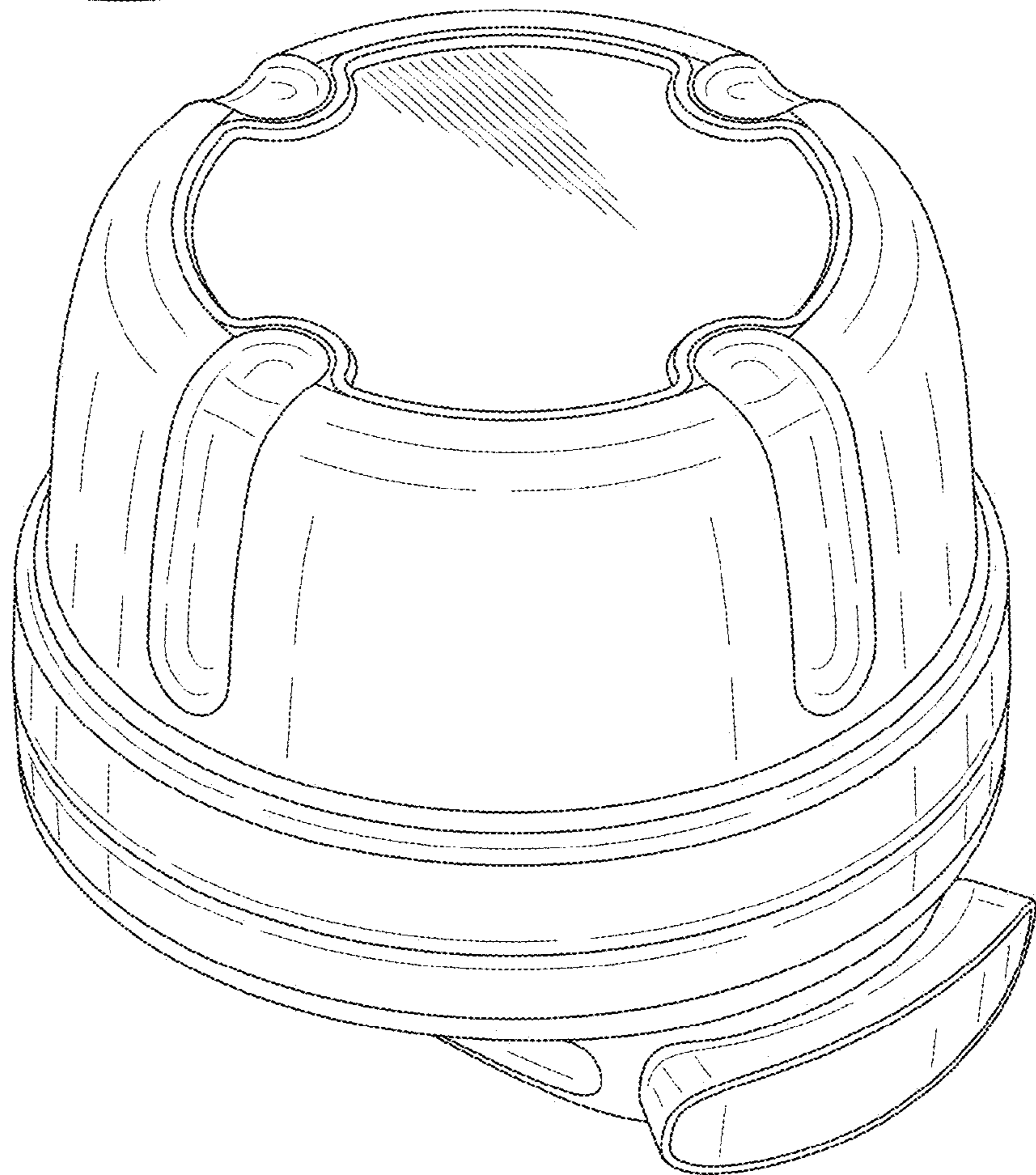


FIG. 2

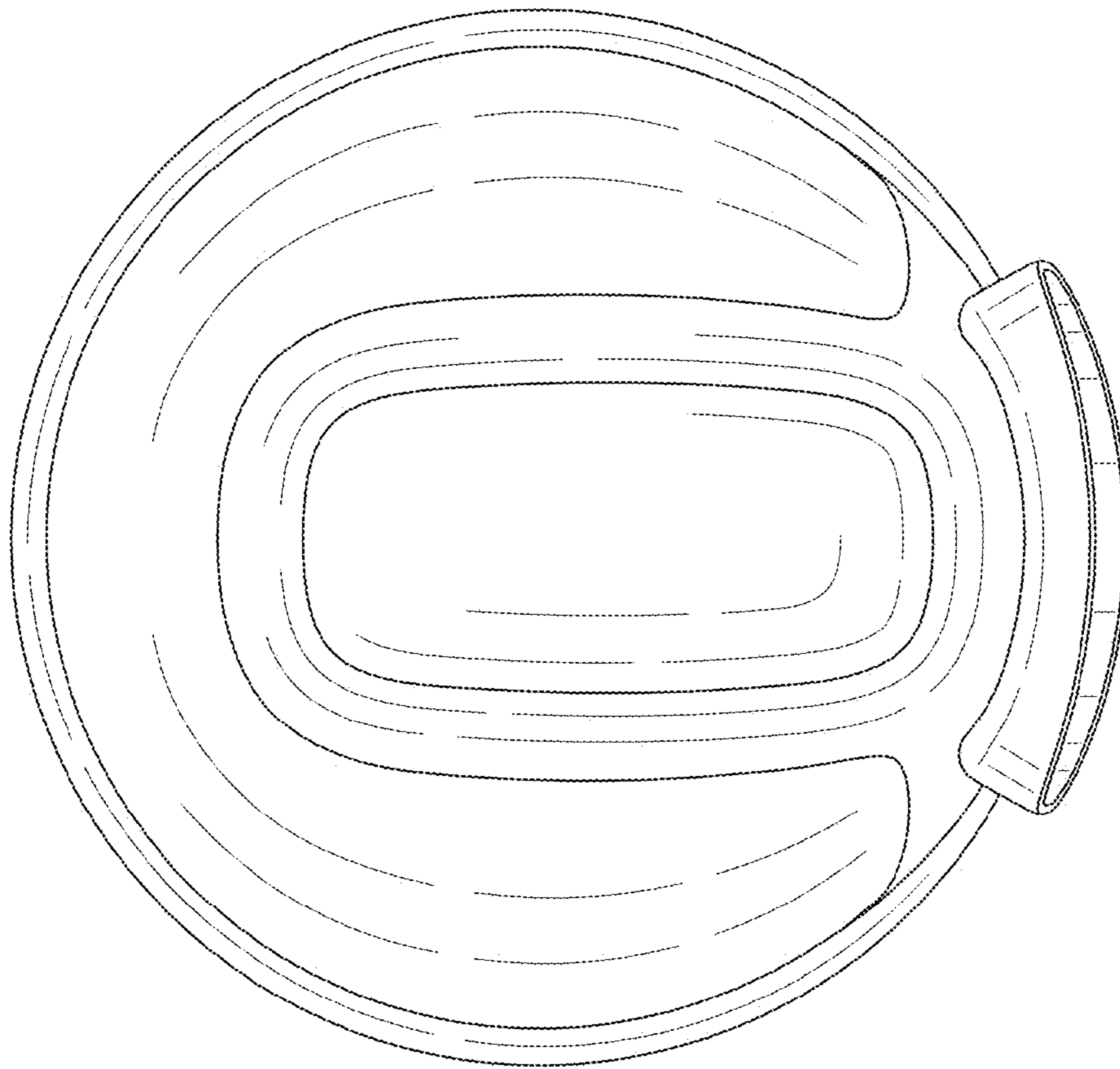


FIG. 3

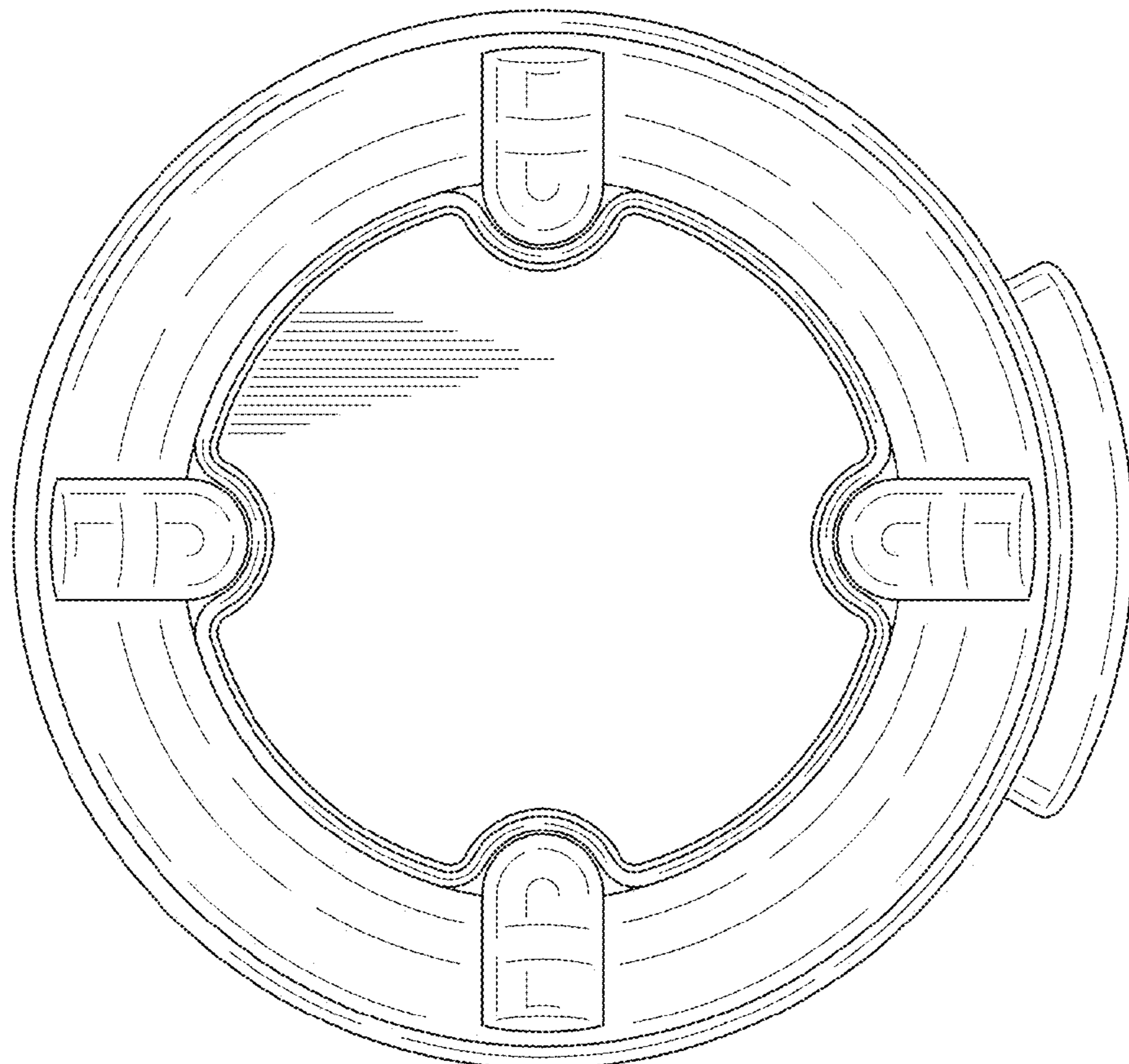


FIG. 4

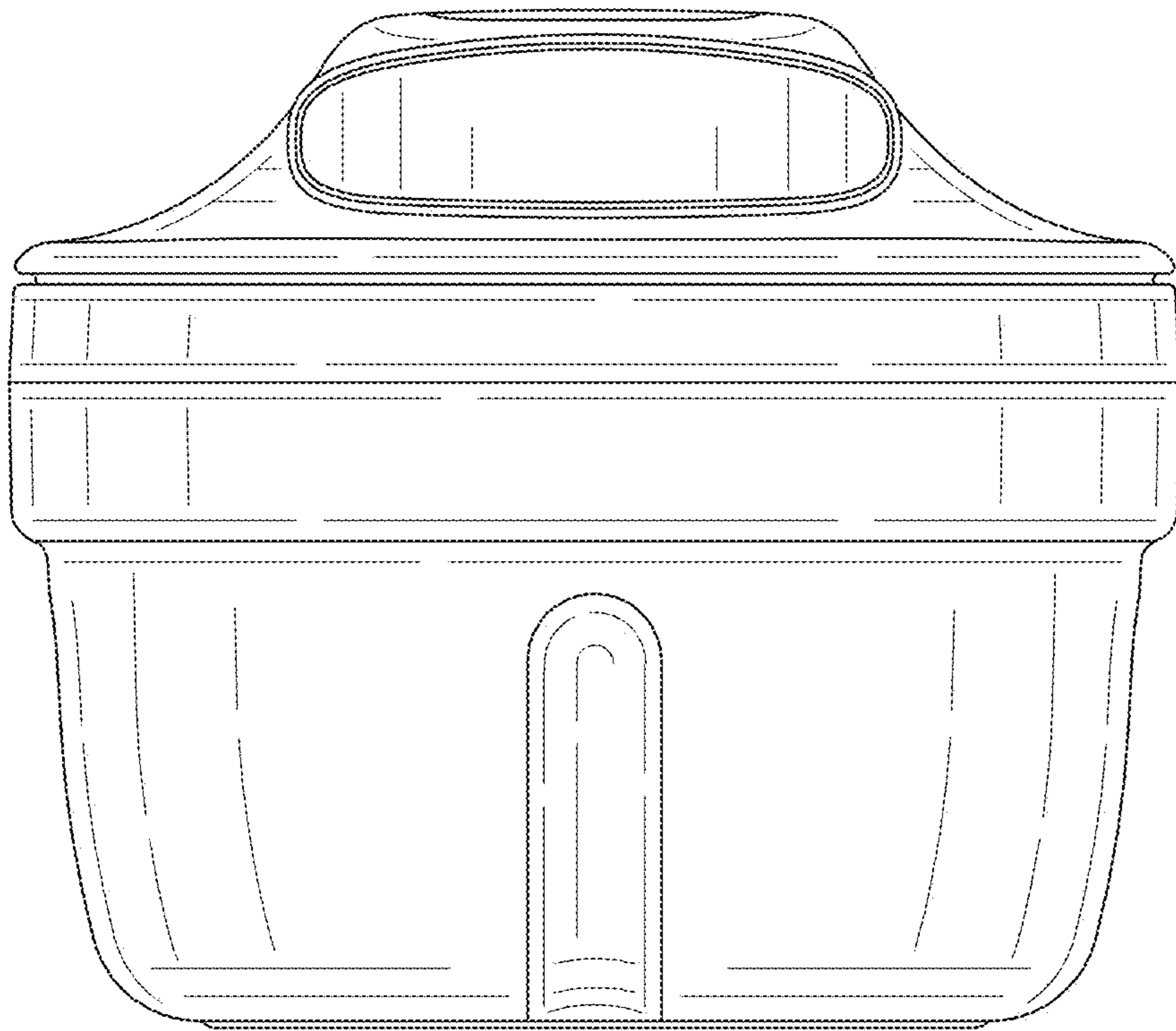


FIG. 5

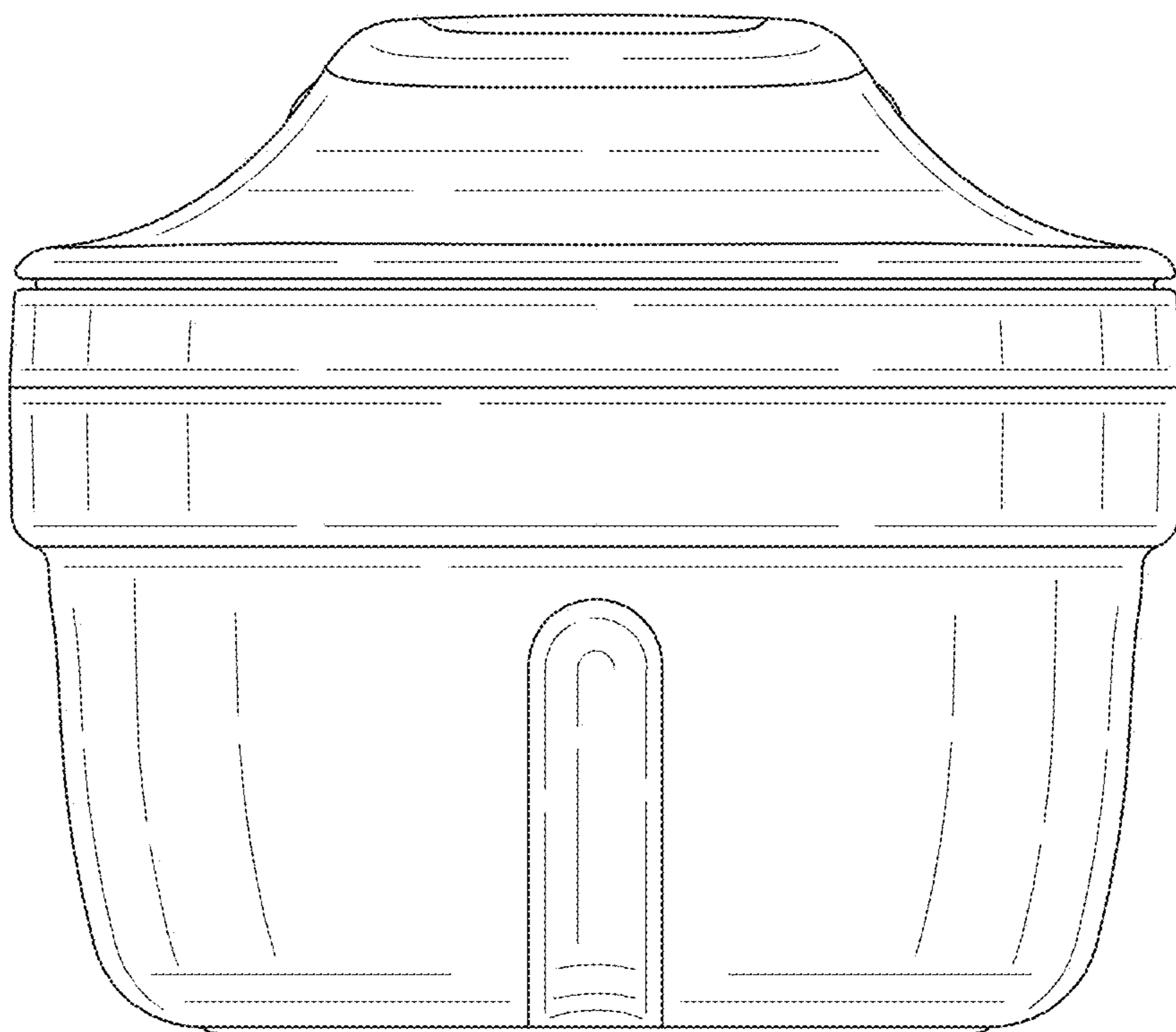


FIG. 6

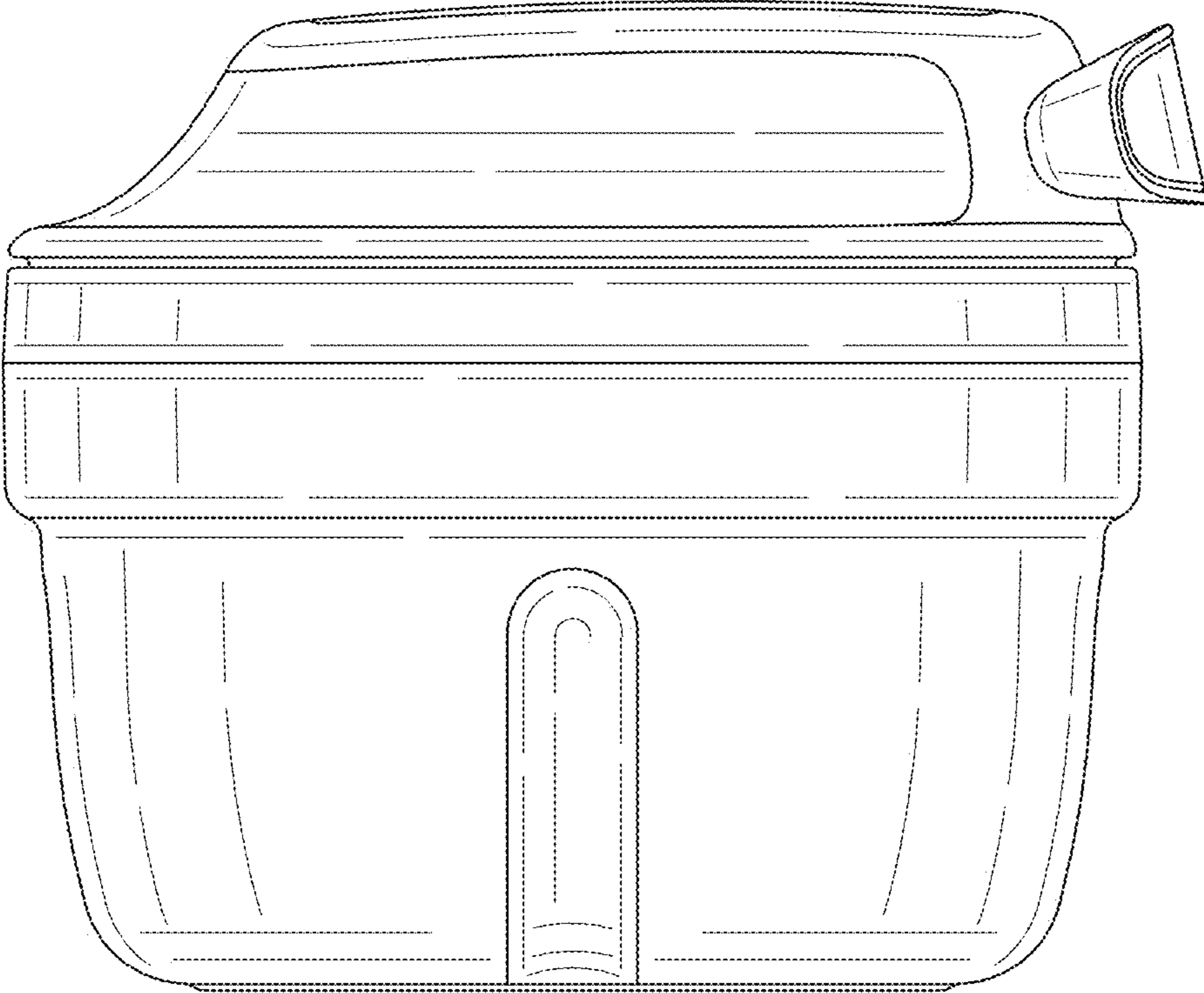


FIG. 7