

US00D962727S

(12) **United States Design Patent**  
**Tawara**

(10) **Patent No.:** **US D962,727 S**  
(45) **Date of Patent:** **\*\* Sep. 6, 2022**

- (54) **SANDWICH CRIMPER**
- (71) Applicant: **Kei Tawara**, Lancaster, PA (US)
- (72) Inventor: **Kei Tawara**, Lancaster, PA (US)
- (\*\*) Term: **15 Years**
- (21) Appl. No.: **29/738,591**
- (22) Filed: **Jun. 18, 2020**
- (51) **LOC (13) Cl.** ..... **07-04**
- (52) **U.S. Cl.**  
USPC ..... **D7/672**
- (58) **Field of Classification Search**  
USPC ..... D7/381, 669, 672, 673, 675, 676, 677,  
D7/693, 694, 695, 696, 697  
CPC ..... A21C 11/106; A22C 17/006; B26D 7/27  
See application file for complete search history.

D909,809 S \* 2/2021 Tawara ..... D7/381  
D917,988 S \* 5/2021 Evans ..... D7/677  
2021/0137151 A1\* 5/2021 Tawara ..... B26D 7/27  
2021/0137317 A1\* 5/2021 Tawara ..... B26D 7/27

**OTHER PUBLICATIONS**

Sandwich Cutter and Sealer, eBay.com. Retrieved from the internet Apr. 21, 2022<URL: <https://www.ebay.com/itm/403523792557?hash=item5df3e46ead:g:TYAAOSwr6liJgXH> (Year: 2022).\*

Savoychef Sandwich Cutter and Sealer, Amazon.com. First available date: Jul. 13, 2020. Retrieved from the internet Apr. 21, 2022<URL: [https://www.amazon.com/Sandwich-Cutter-Sealer-Decruster-Lunchbox/dp/B08CVS2KQK/ref=asc\\_df\\_B08CVS2KQK/?th=1](https://www.amazon.com/Sandwich-Cutter-Sealer-Decruster-Lunchbox/dp/B08CVS2KQK/ref=asc_df_B08CVS2KQK/?th=1) (Year: 2020).\*

\* cited by examiner

*Primary Examiner* — Joseph Kukella  
*Assistant Examiner* — Darryl J Dardenne

(56) **References Cited**

**U.S. PATENT DOCUMENTS**

- 1,486,810 A \* 3/1924 Stauffer ..... A21C 11/106  
D7/672
- 1,618,685 A \* 2/1927 Stauffer ..... A21C 11/106  
D7/672
- D167,886 S \* 10/1952 Genhart ..... D7/672
- D179,131 S \* 11/1956 Frey ..... D7/672
- D350,882 S \* 9/1994 Charland ..... D7/672
- D397,277 S \* 8/1998 Gibbs, Jr. .... D7/672
- D569,270 S \* 5/2008 LaMasney ..... D9/761
- D629,661 S \* 12/2010 Lion ..... D7/672
- D662,373 S \* 6/2012 Krus ..... A21C 11/106  
D7/676
- D686,468 S \* 7/2013 Rader ..... A21C 11/106  
D7/354
- D711,695 S \* 8/2014 Micara-Sartori ..... D7/675
- D739,689 S \* 9/2015 Metaxatos ..... A22C 17/0006  
D7/693

(57) **CLAIM**

The ornamental design for a sandwich crimper, as shown and described.

**DESCRIPTION**

FIG. 1 is a top front-left perspective view of a sandwich crimper showing my new design.

FIG. 2 is a bottom-rear-right perspective view thereof.

FIG. 3 is a left-side elevational view thereof.

FIG. 4 is a top plan view thereof.

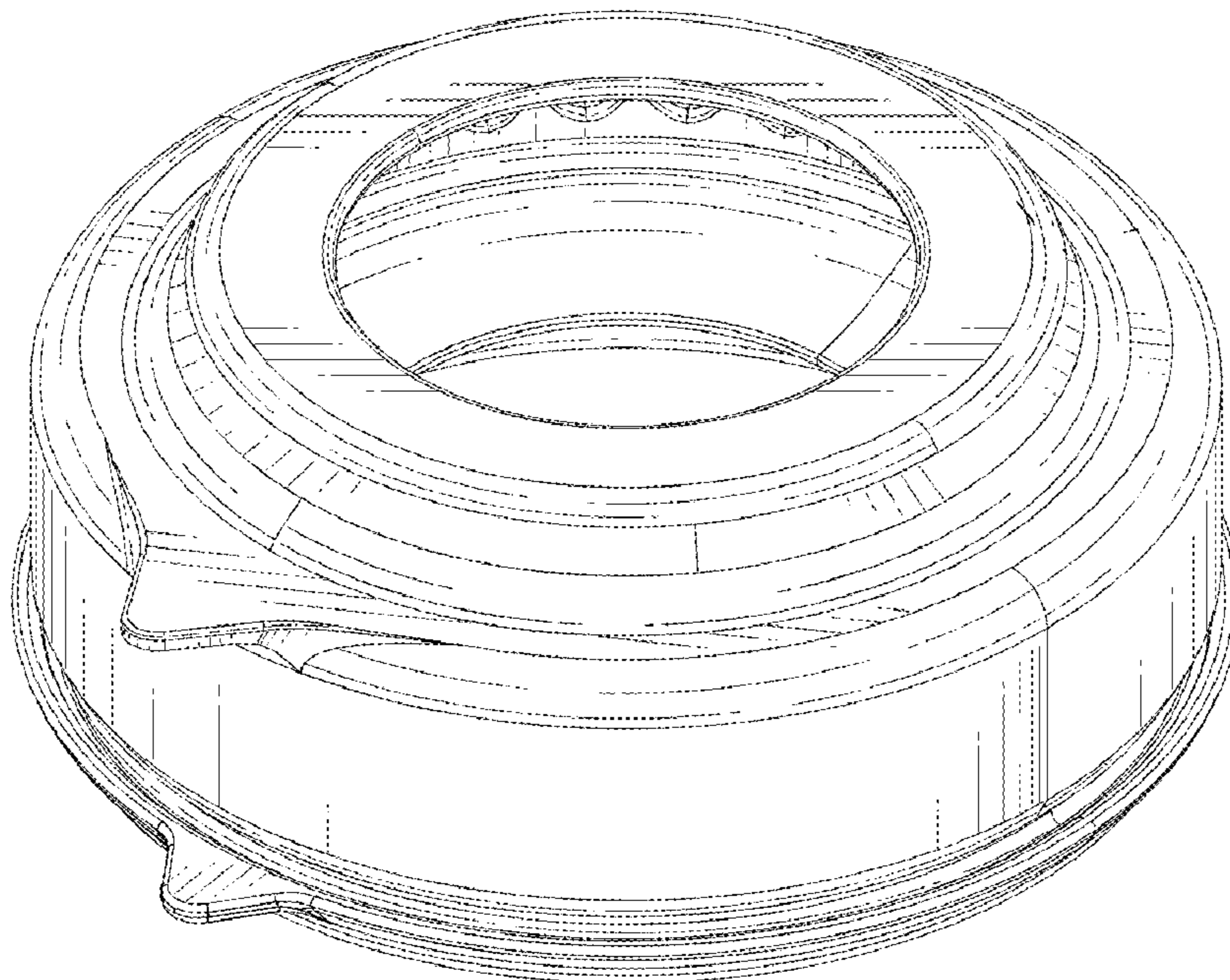
FIG. 5 is a bottom plan view thereof.

FIG. 6 is an exploded top-front-left perspective view thereof.

FIG. 7 is an exploded bottom-rear-right perspective view thereof; and,

FIG. 8 is an exploded front elevational view thereof.

**1 Claim, 8 Drawing Sheets**



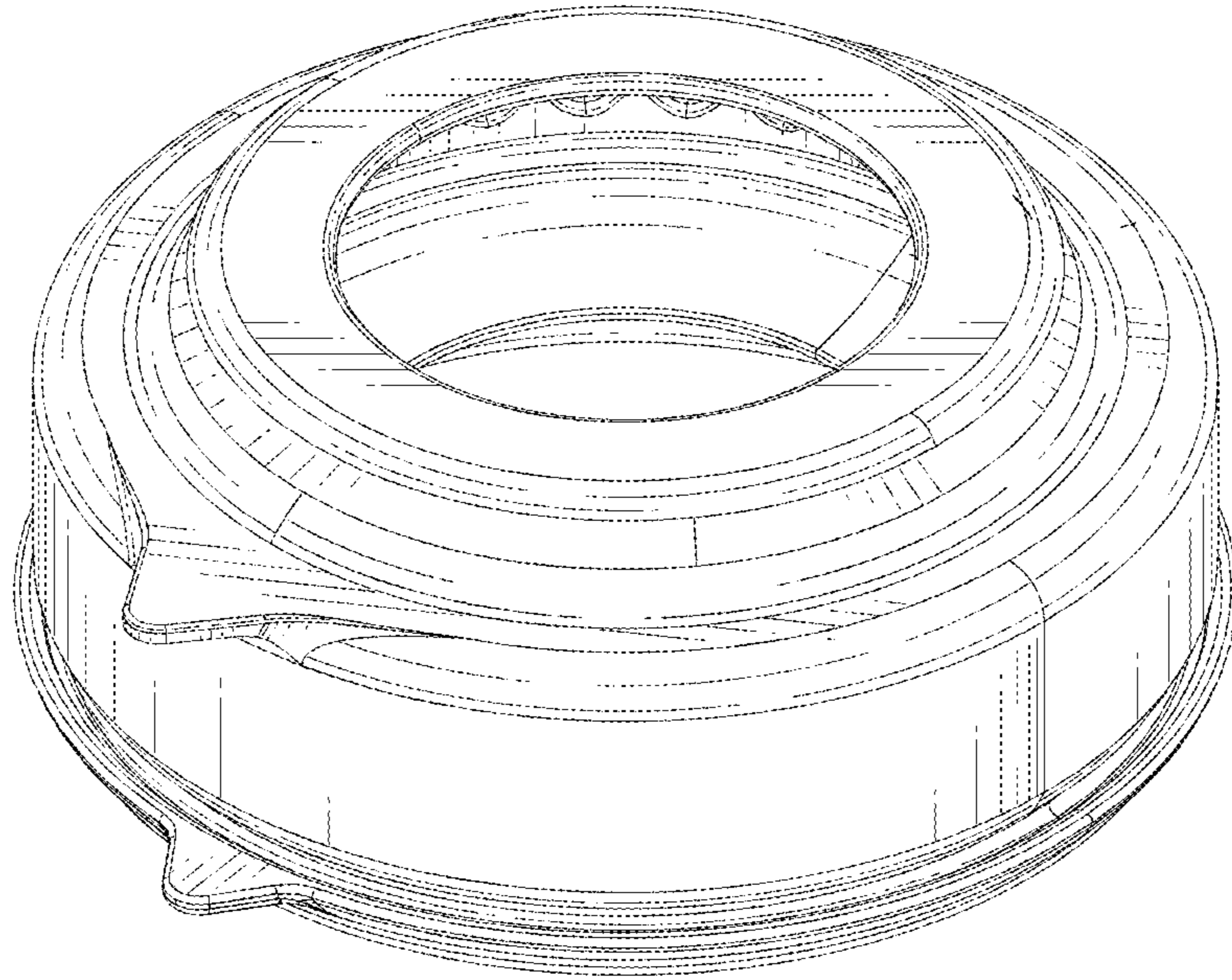


FIG. 1

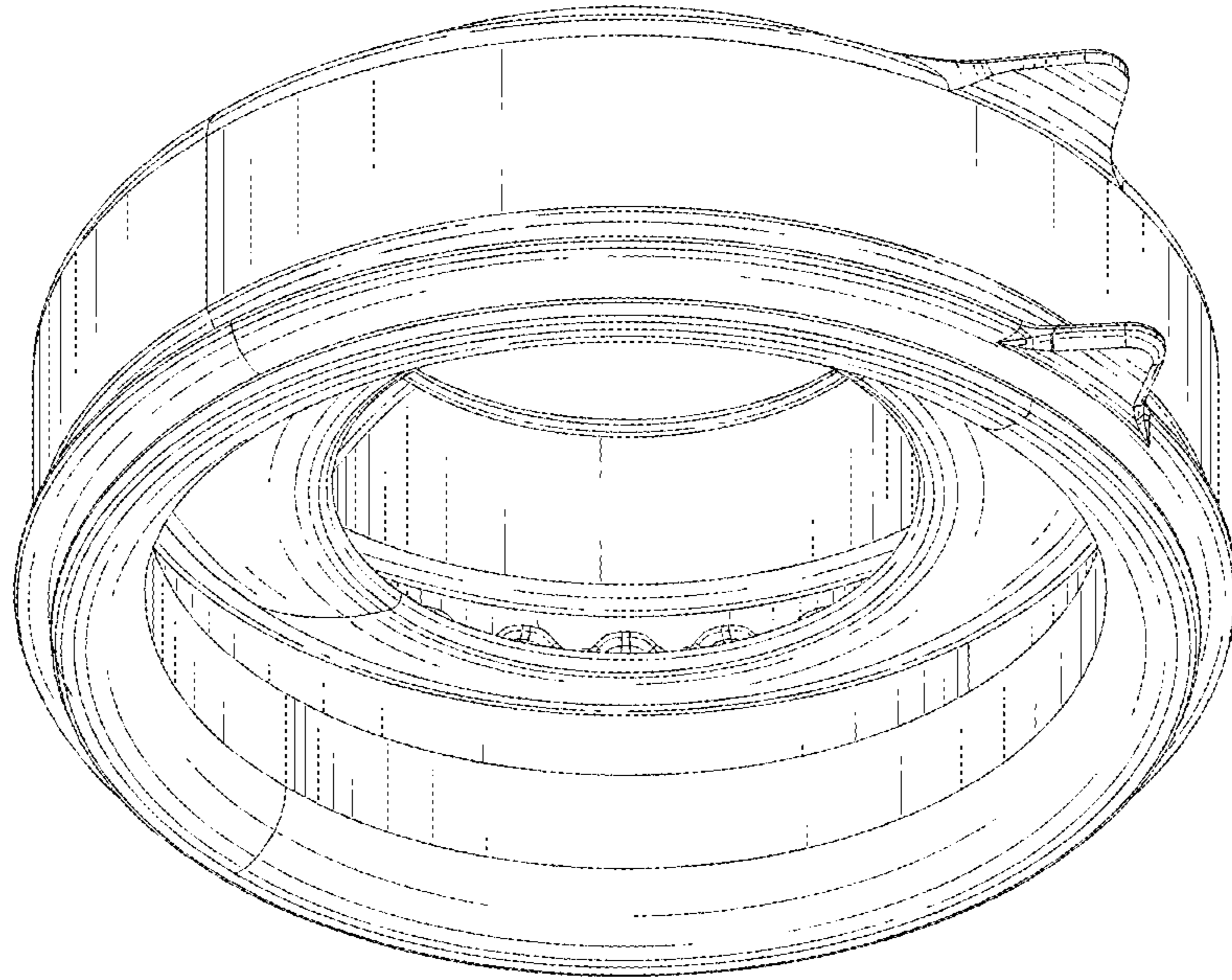


FIG. 2

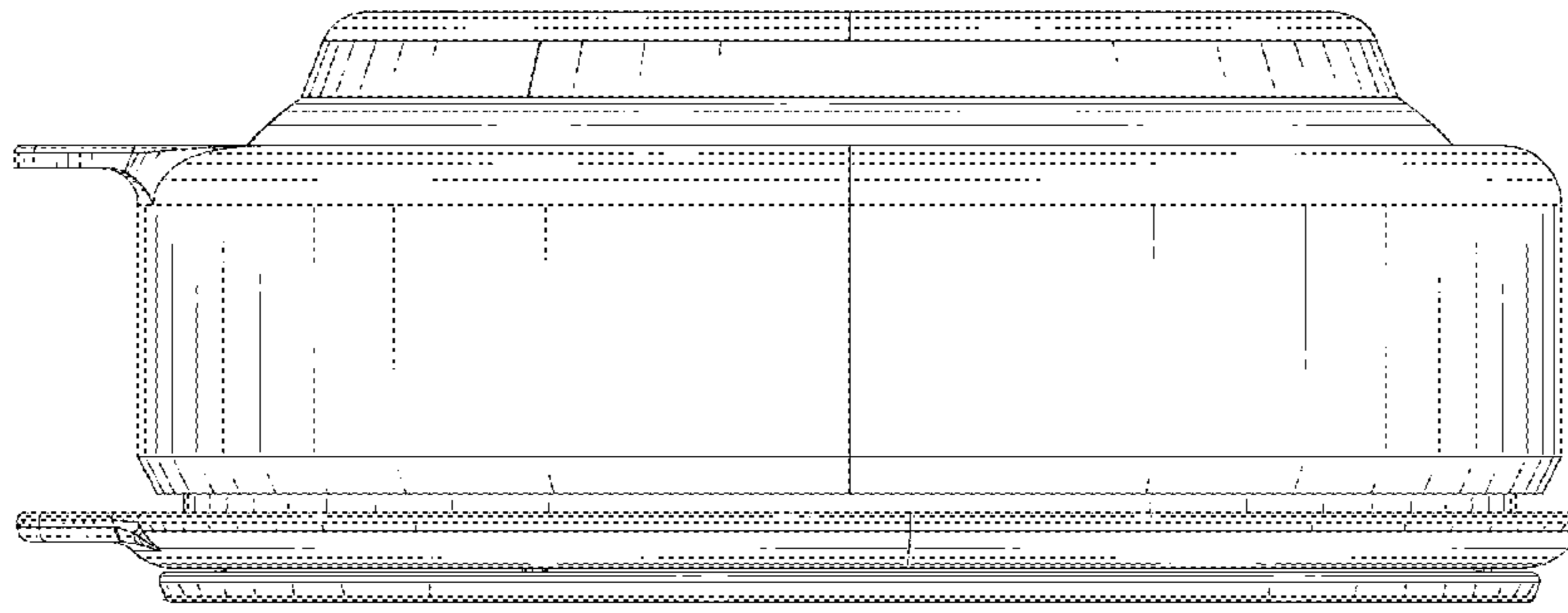


FIG. 3

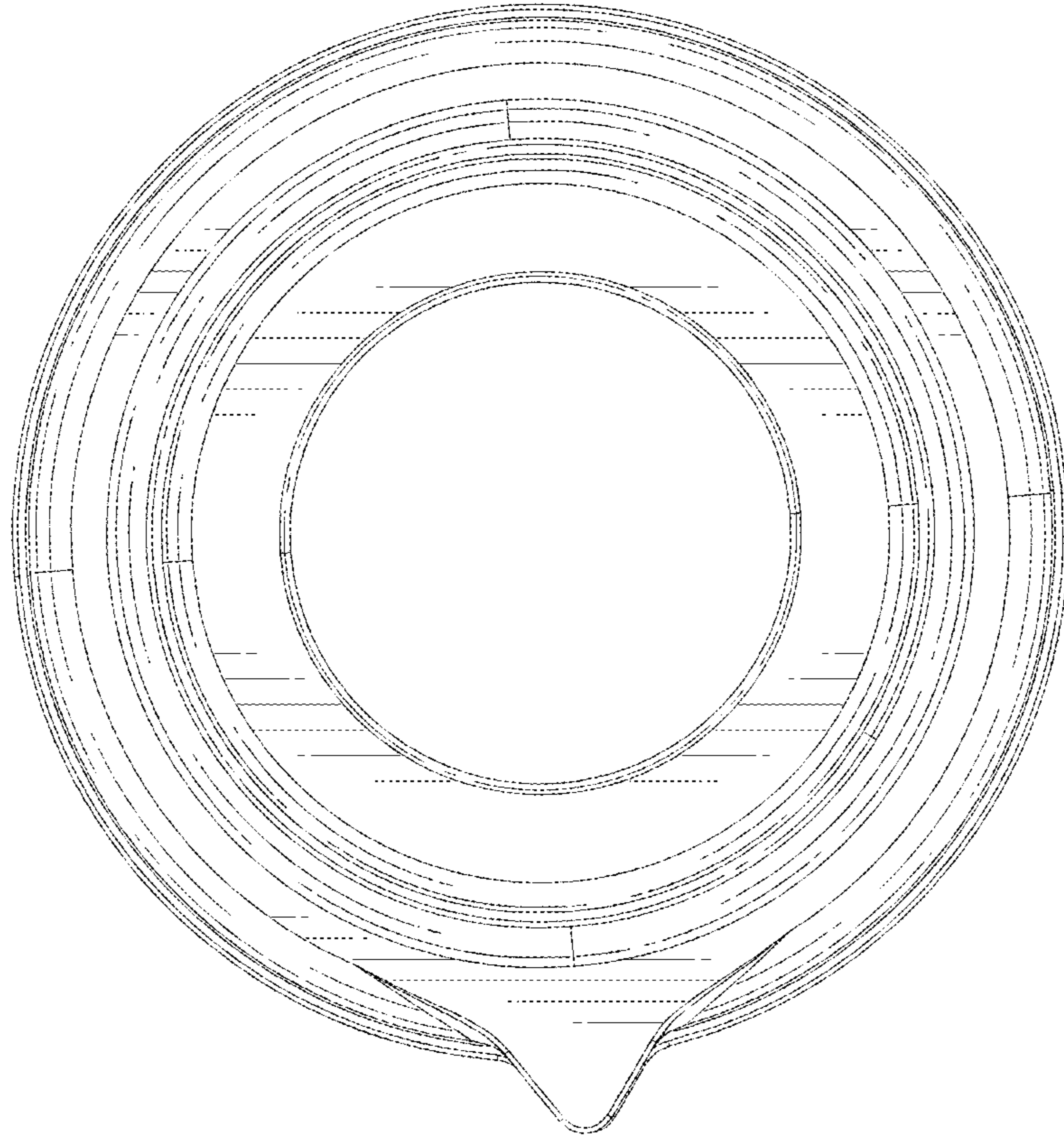


FIG. 4

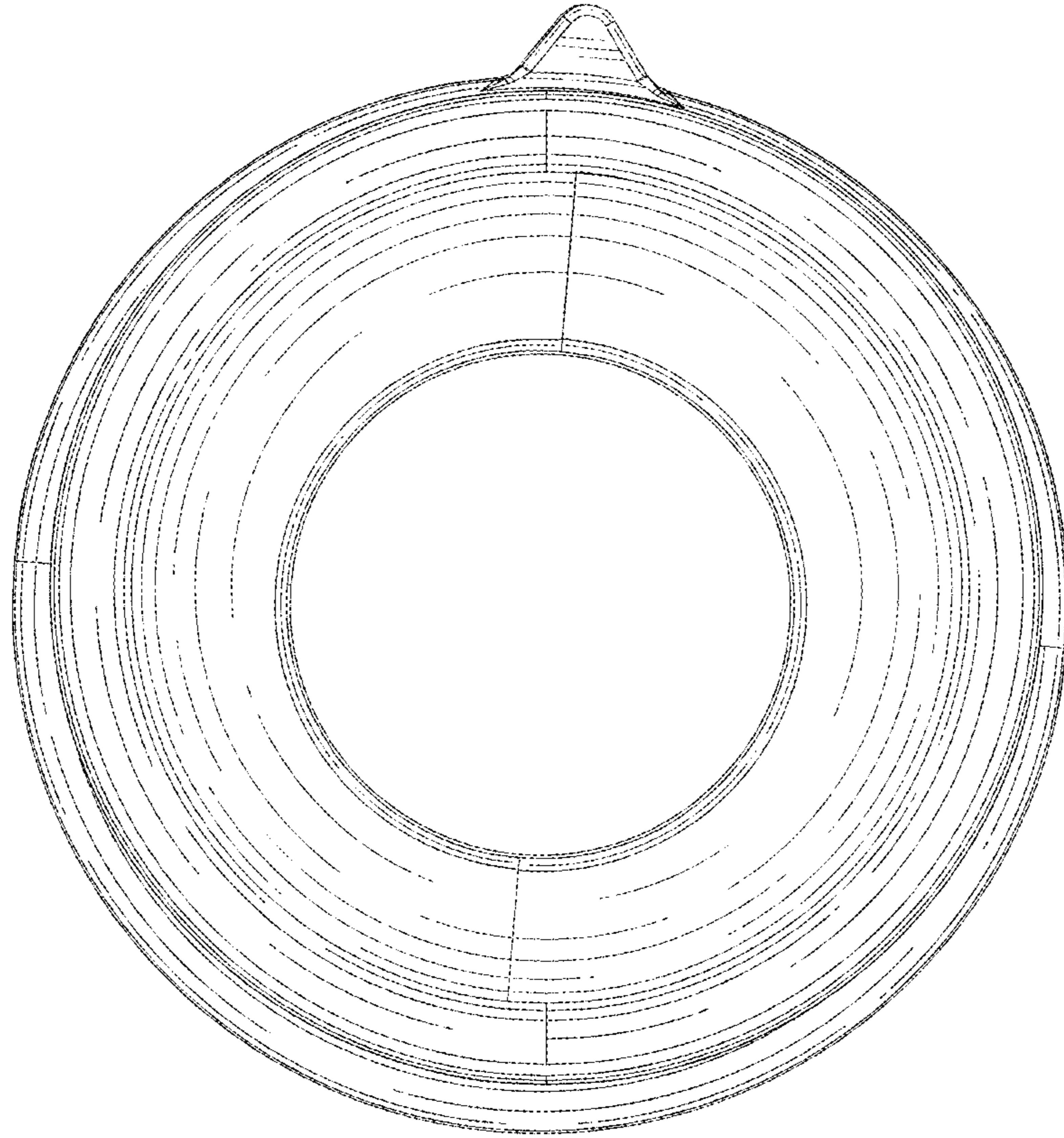


FIG. 5

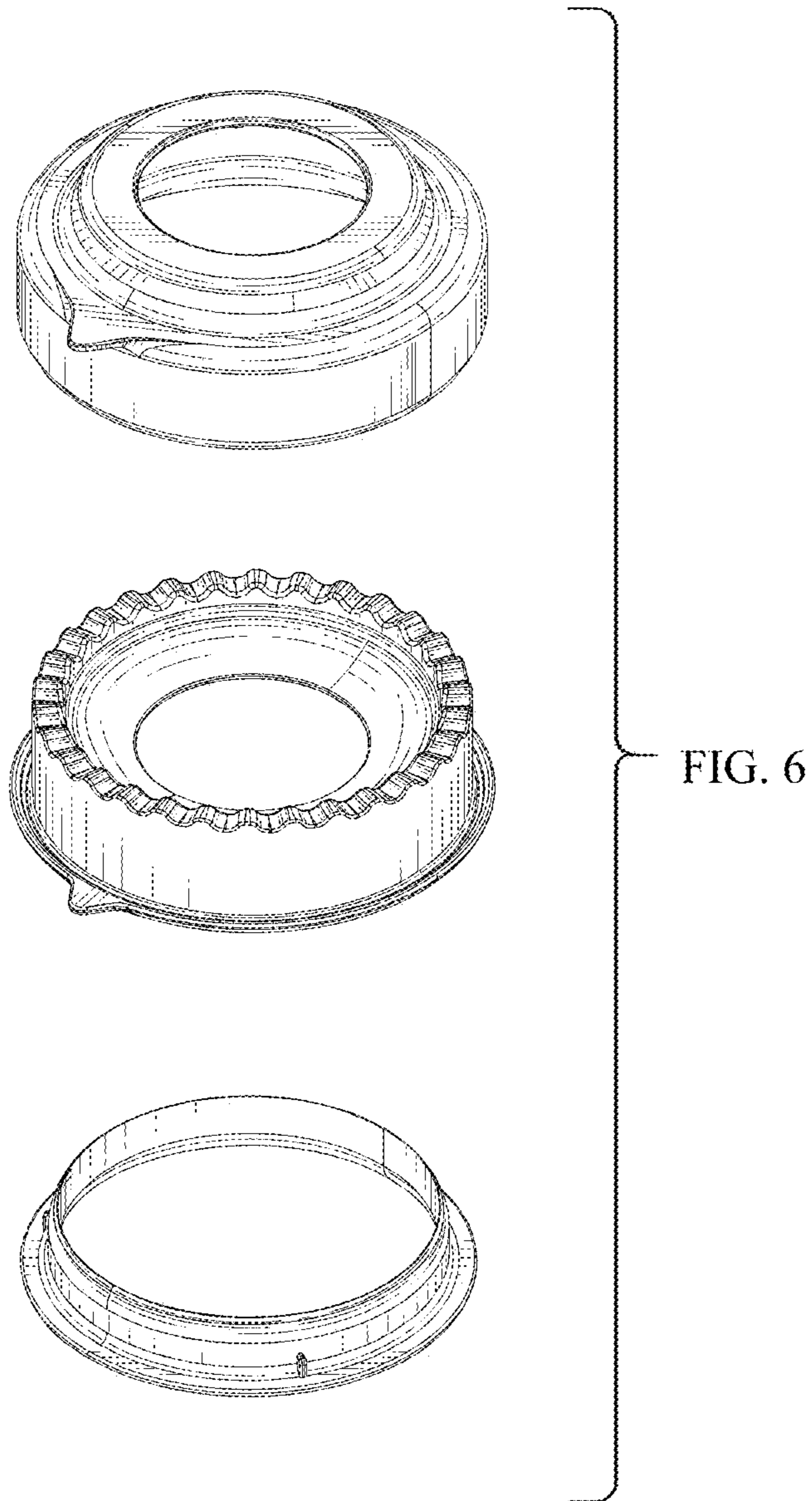


FIG. 6

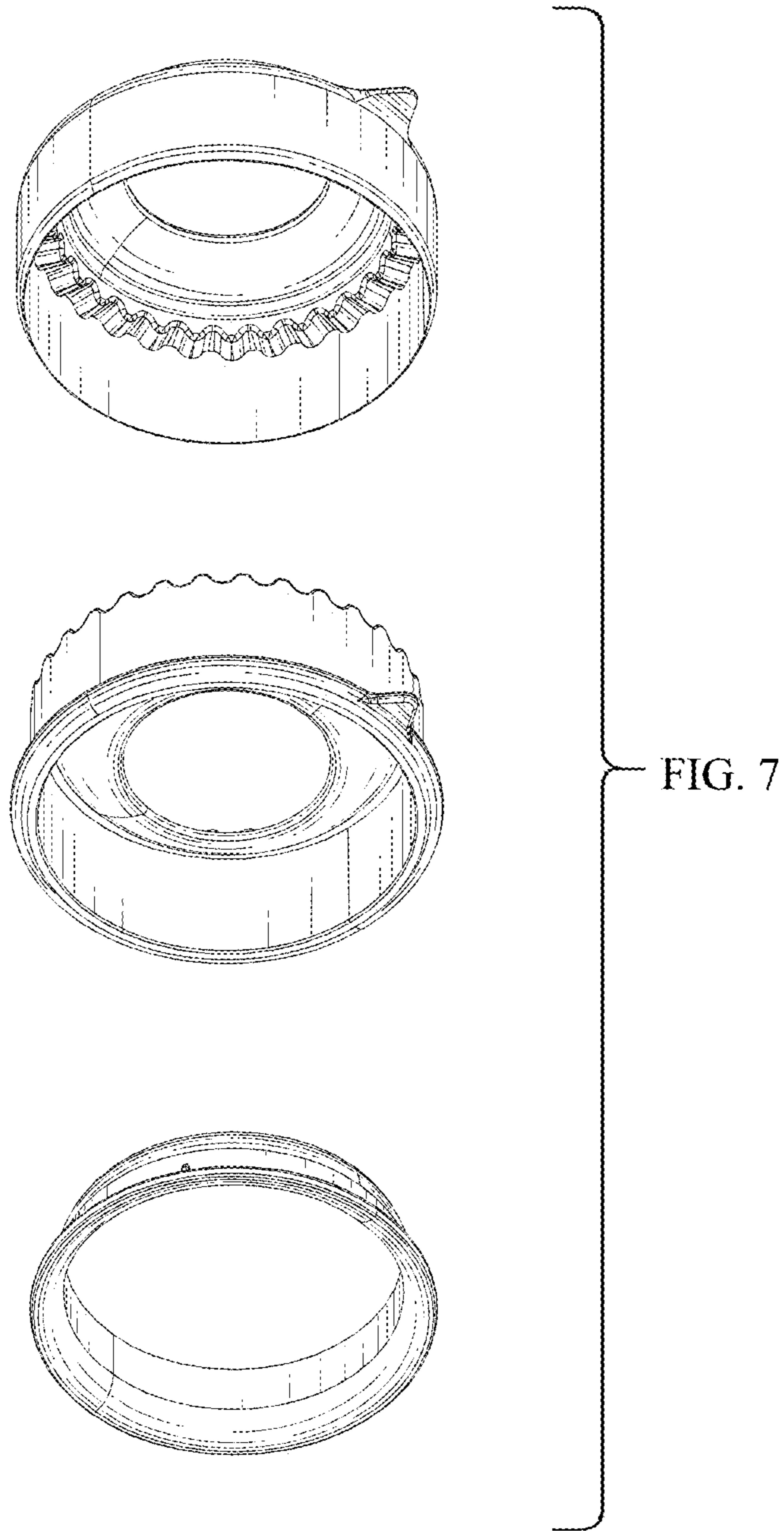


FIG. 7



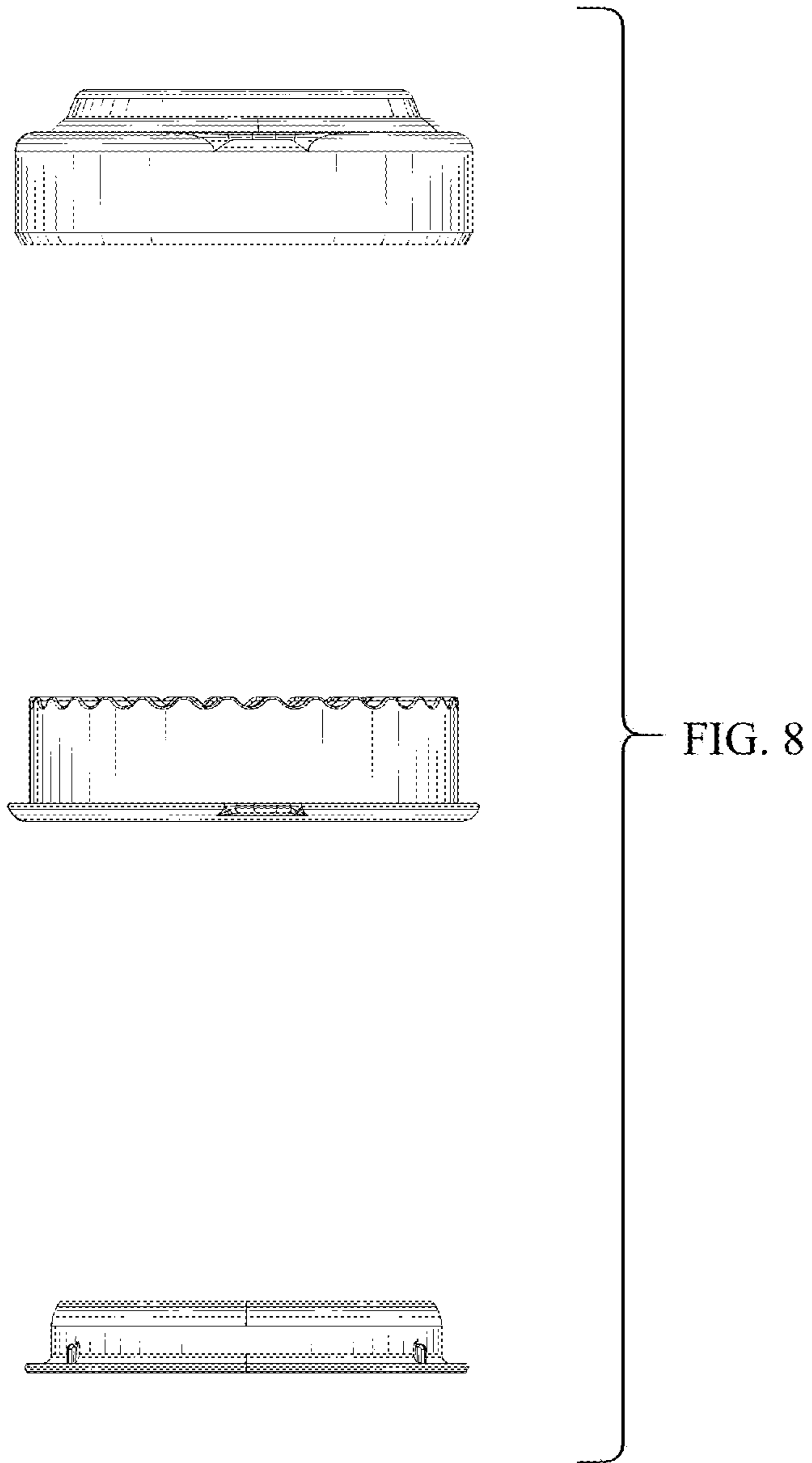


FIG. 8