



US00D962726S

(12) **United States Design Patent**
Lu

(10) **Patent No.:** **US D962,726 S**
(45) **Date of Patent:** **** Sep. 6, 2022**

(54) **CUTTING MACHINE**

(71) Applicant: **Zhejiang Fullstar Houseware Co., Ltd.**, Taizhou (CN)

(72) Inventor: **Congqiang Lu**, Taizhou (CN)

(**) Term: **15 Years**

(21) Appl. No.: **29/738,335**

(22) Filed: **Jun. 17, 2020**

(30) **Foreign Application Priority Data**

Mar. 5, 2020 (CN) 202030071389.5

(51) **LOC (13) Cl.** **07-04**

(52) **U.S. Cl.**
USPC **D7/672**

(58) **Field of Classification Search**
USPC D7/381, 383, 384, 401.2, 412, 602, 637, D7/669, 672, 673, 674, 693, 694, 695; D8/20, 28
CPC A47J 9/00; A47J 17/02; A47J 43/04; A47J 43/00; A47J 2201/00; B26D 9/00; B26D 3/11; B26D 3/18; B26D 3/24; B26D 3/185; B26D 3/26; B26D 3/28; B26D 2011/005; B26D 2210/00; B26D 2210/02; B26D 2210/04; B26D 2210/08; B26D 7/225; B26B 1/00; B26B 5/001; B26B 29/063
See application file for complete search history.

(56) **References Cited**

U.S. PATENT DOCUMENTS

D499,615 S * 12/2004 Nordgren B26D 3/185 D7/693
D512,609 S * 12/2005 Kaposi D7/672
D543,422 S * 5/2007 Kaposi D7/674
D545,642 S * 7/2007 Wong D7/674

D548,025 S * 8/2007 Kaposi B26D 3/26 D7/672
D578,838 S * 10/2008 Hood D7/678
D618,517 S * 6/2010 Wong D7/672
D729,595 S * 5/2015 Hauser D7/693
D730,704 S * 6/2015 Repac D7/672
D776,495 S * 1/2017 Repac D7/672
D776,987 S * 1/2017 Repac B26D 3/185 D7/672
D776,988 S * 1/2017 Repac B26D 7/0608 D7/672
D777,537 S * 1/2017 Repac B26D 3/18 D7/672
D823,075 S * 7/2018 Repac D7/672
10,011,031 B2 * 7/2018 Hauser B26D 3/185
10,011,032 B2 * 7/2018 Repac B26D 1/30
D858,217 S * 9/2019 Byeon D7/673
D858,218 S * 9/2019 Kaposi D7/693
D873,627 S * 1/2020 Chen D7/672

(Continued)

Primary Examiner — Joseph Kukella
Assistant Examiner — Darryl J Dardenne

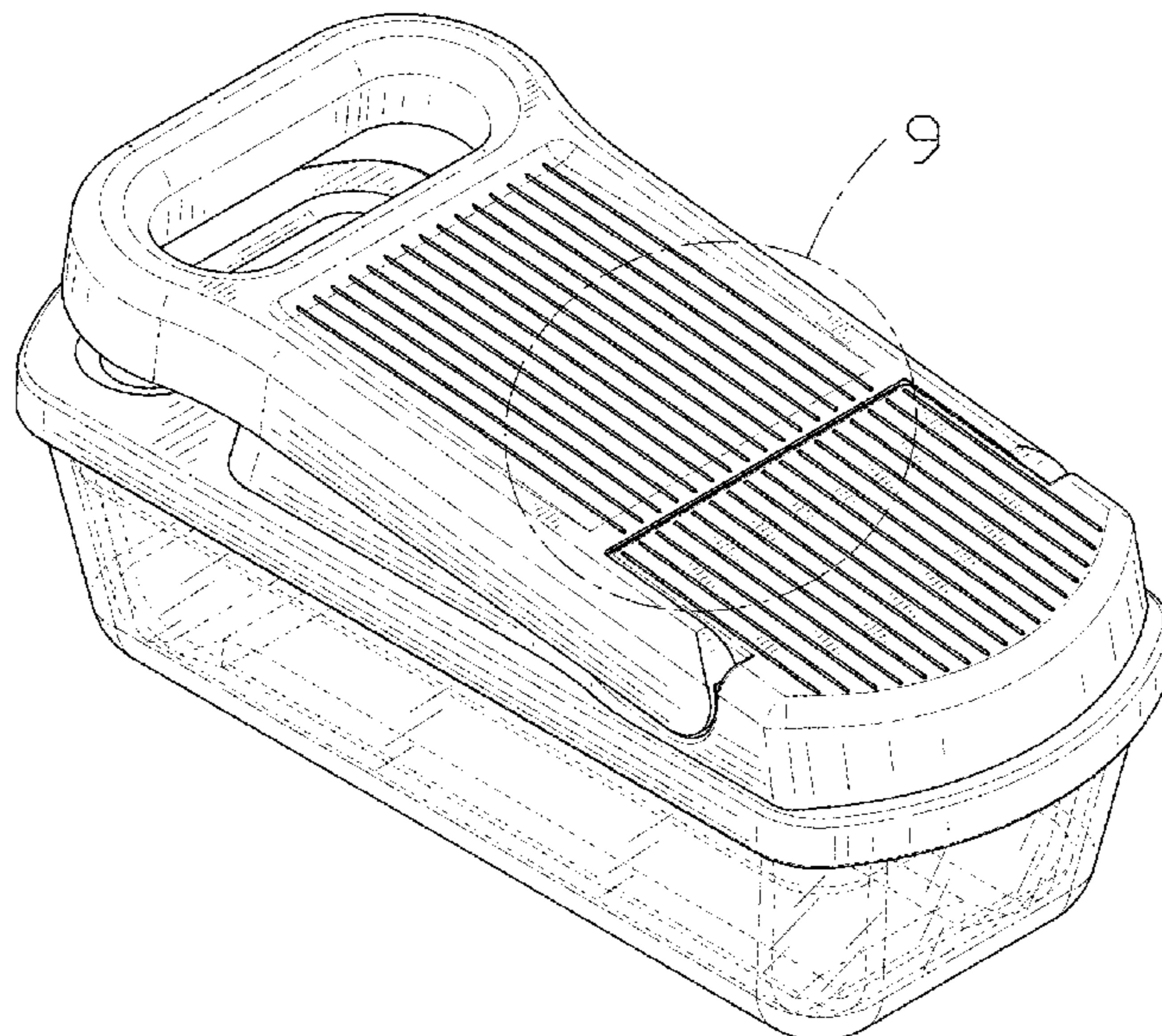
(57) **CLAIM**

The ornamental design for a cutting machine, as shown and described.

DESCRIPTION

FIG. 1 is a first perspective view of a cutting machine showing my new design;
FIG. 2 is a second perspective view thereof;
FIG. 3 is a front view thereof;
FIG. 4 is a back view thereof;
FIG. 5 is a left side view thereof;
FIG. 6 is a right side view thereof;
FIG. 7 is a top view thereof;
FIG. 8 is a bottom view thereof; and,
FIG. 9 is an enlarged view of the selected portion in FIG. 1.
The broken lines shown in the drawings depict portions of the cutting machine in which the design is embodied that form no part of the claimed design.

1 Claim, 9 Drawing Sheets



(56)

References Cited

U.S. PATENT DOCUMENTS

10,875,203 B2 * 12/2020 Kaposi B26D 3/26
D929,825 S * 9/2021 Lu D7/673
D931,692 S * 9/2021 Lu D7/673
D935,831 S * 11/2021 Lu D7/372
2004/0055437 A1 * 3/2004 Engdahl B26D 1/553
30/299
2006/0090352 A1 * 5/2006 Kaposi B26D 3/185
30/299
2015/0217460 A1 * 8/2015 Hauser B26D 3/18
30/124
2015/0337889 A1 * 11/2015 Repac B26D 7/0608
241/84.3
2015/0345200 A1 * 12/2015 Repac B02C 1/00
241/84.3
2015/0367525 A1 * 12/2015 Repac B26D 3/18
83/167
2019/0263012 A1 * 8/2019 Kaposi B26D 3/26

* cited by examiner

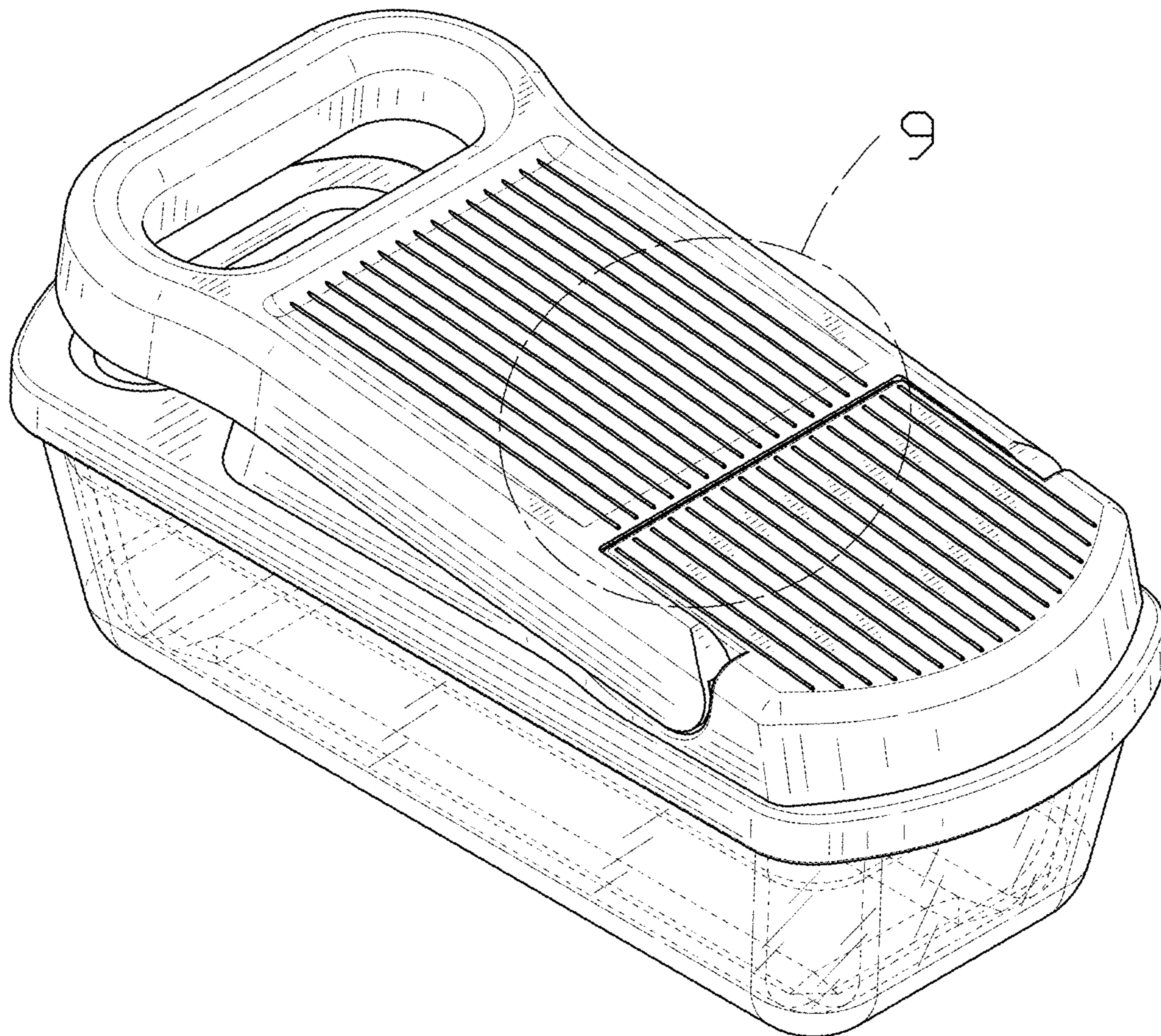


FIG. 1

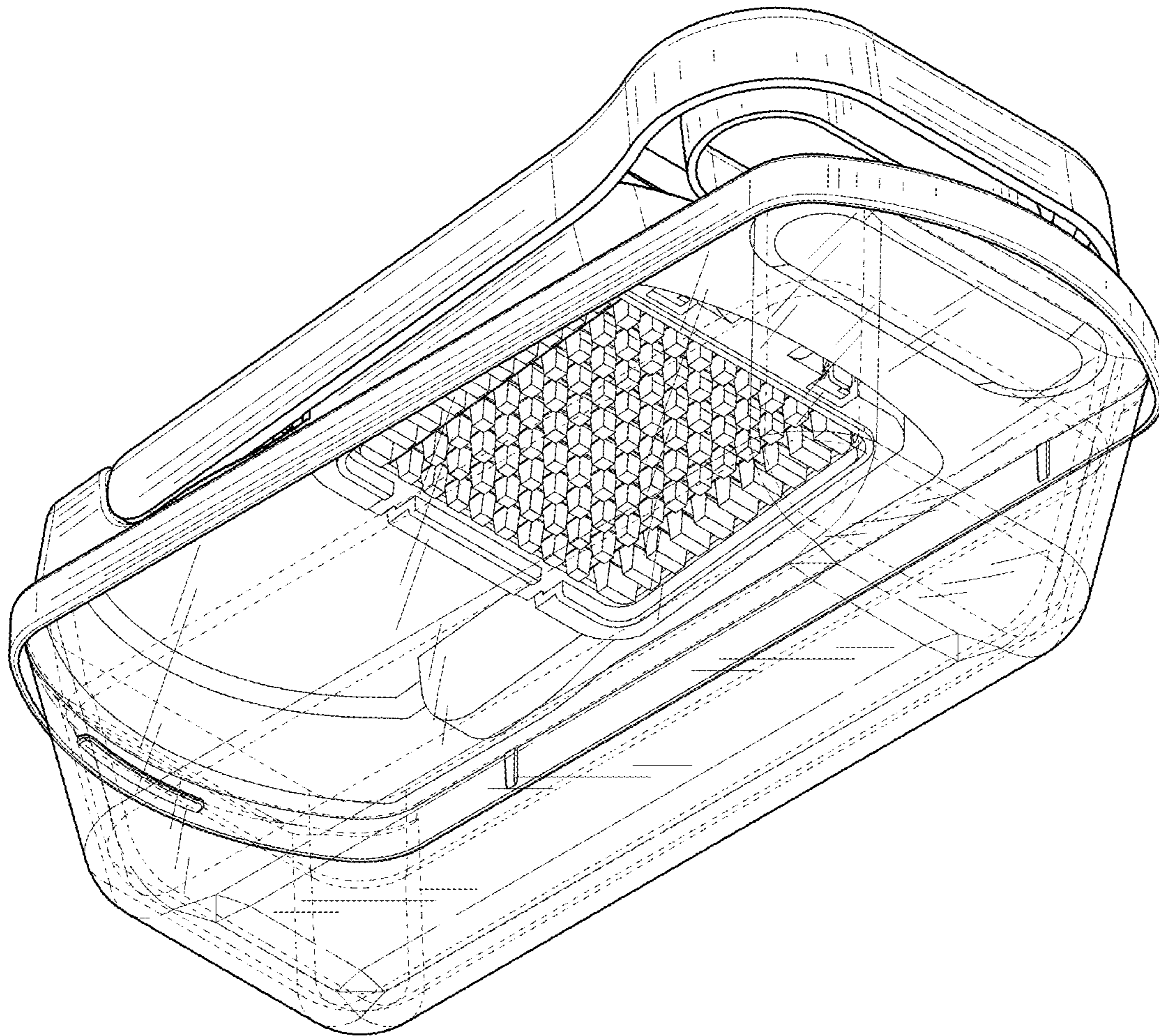


FIG. 2

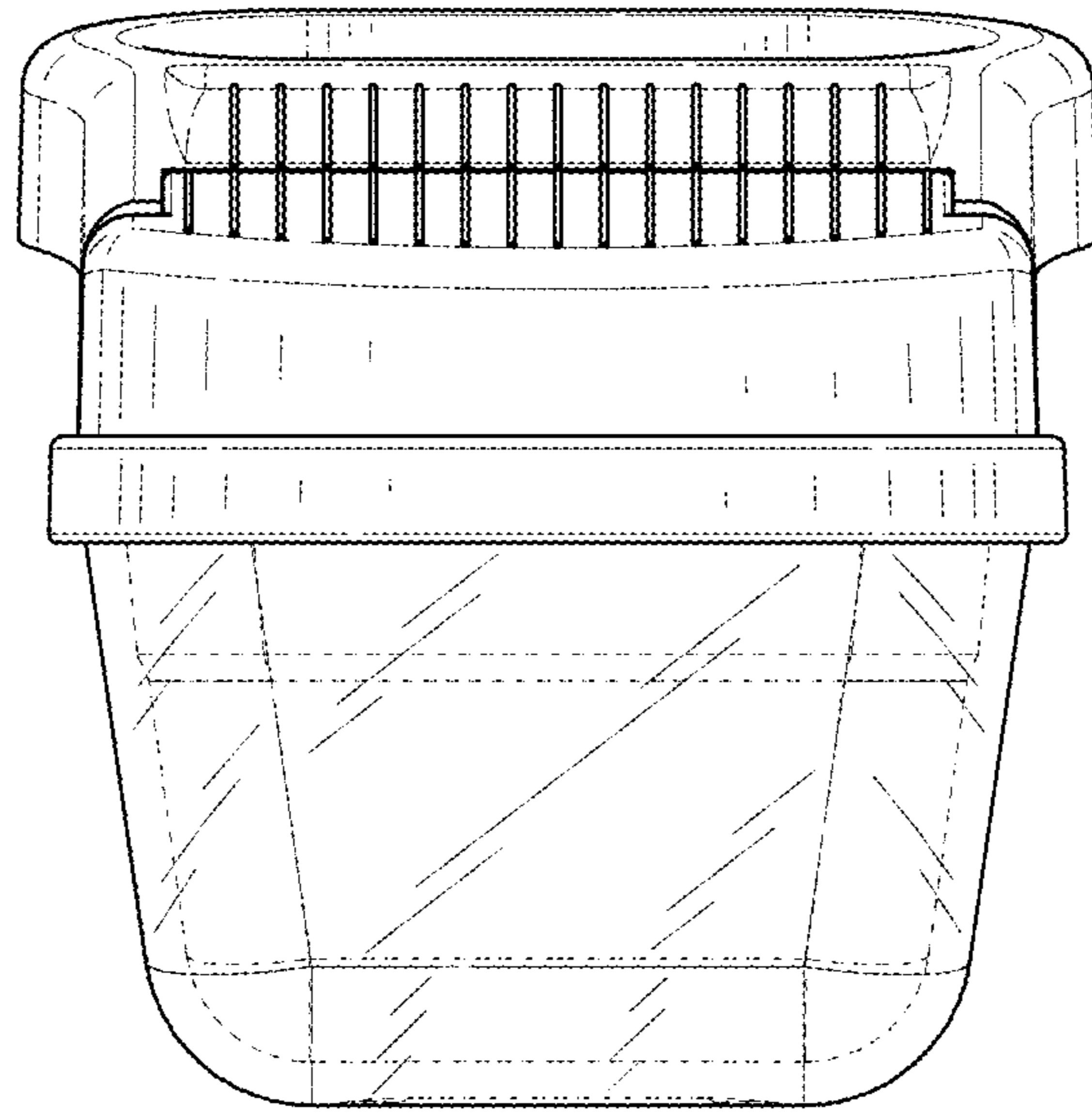


FIG. 3

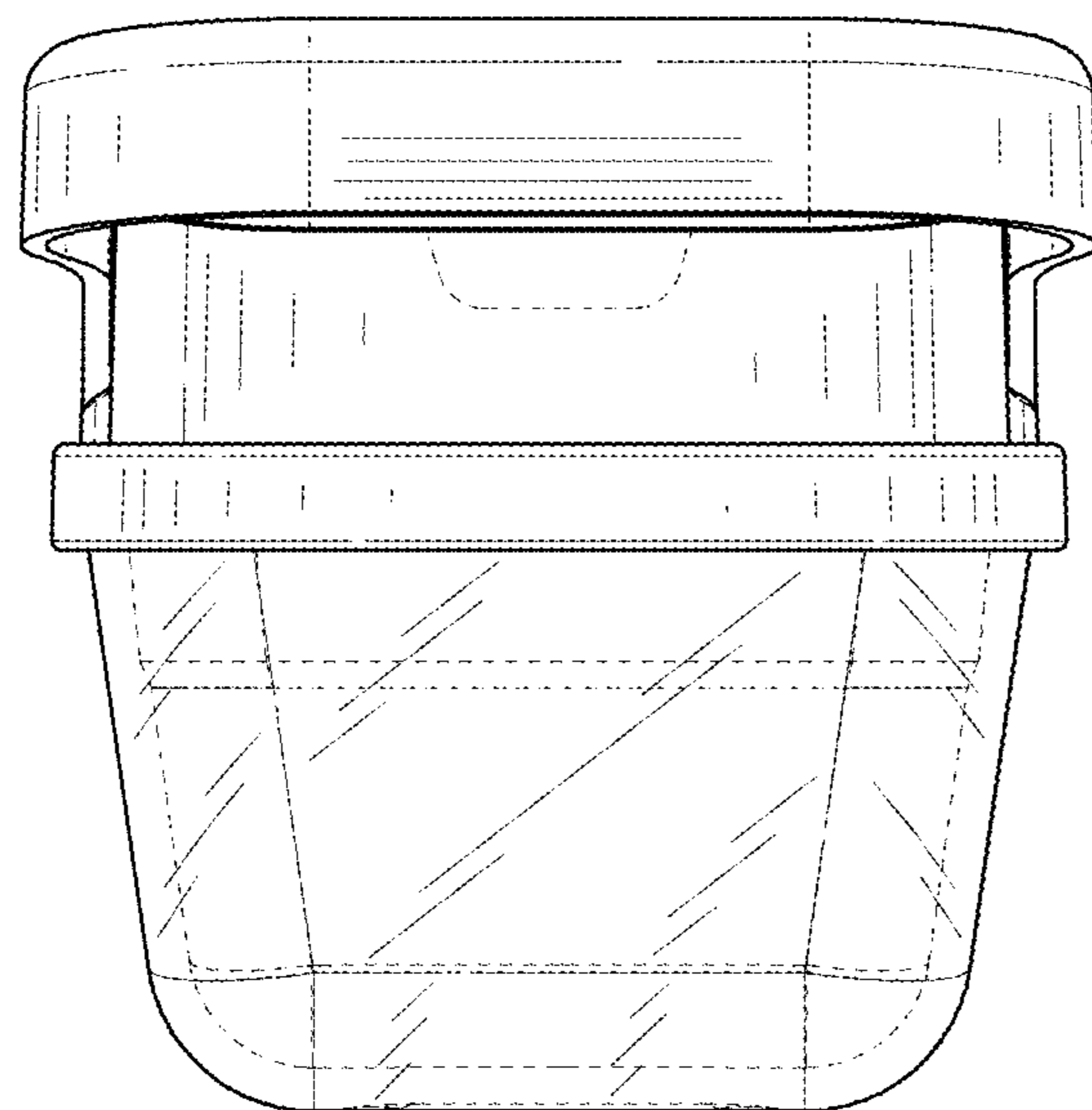


FIG. 4

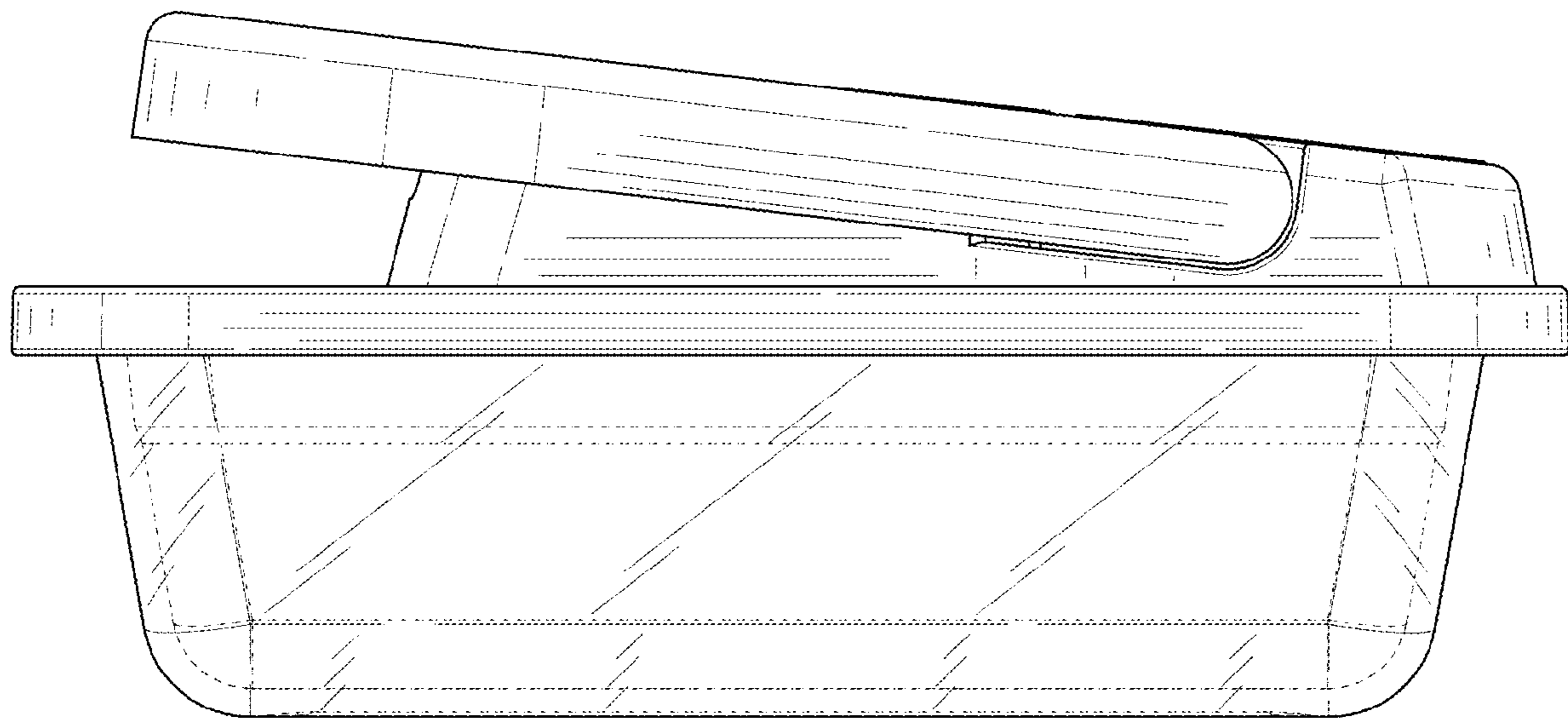


FIG. 5

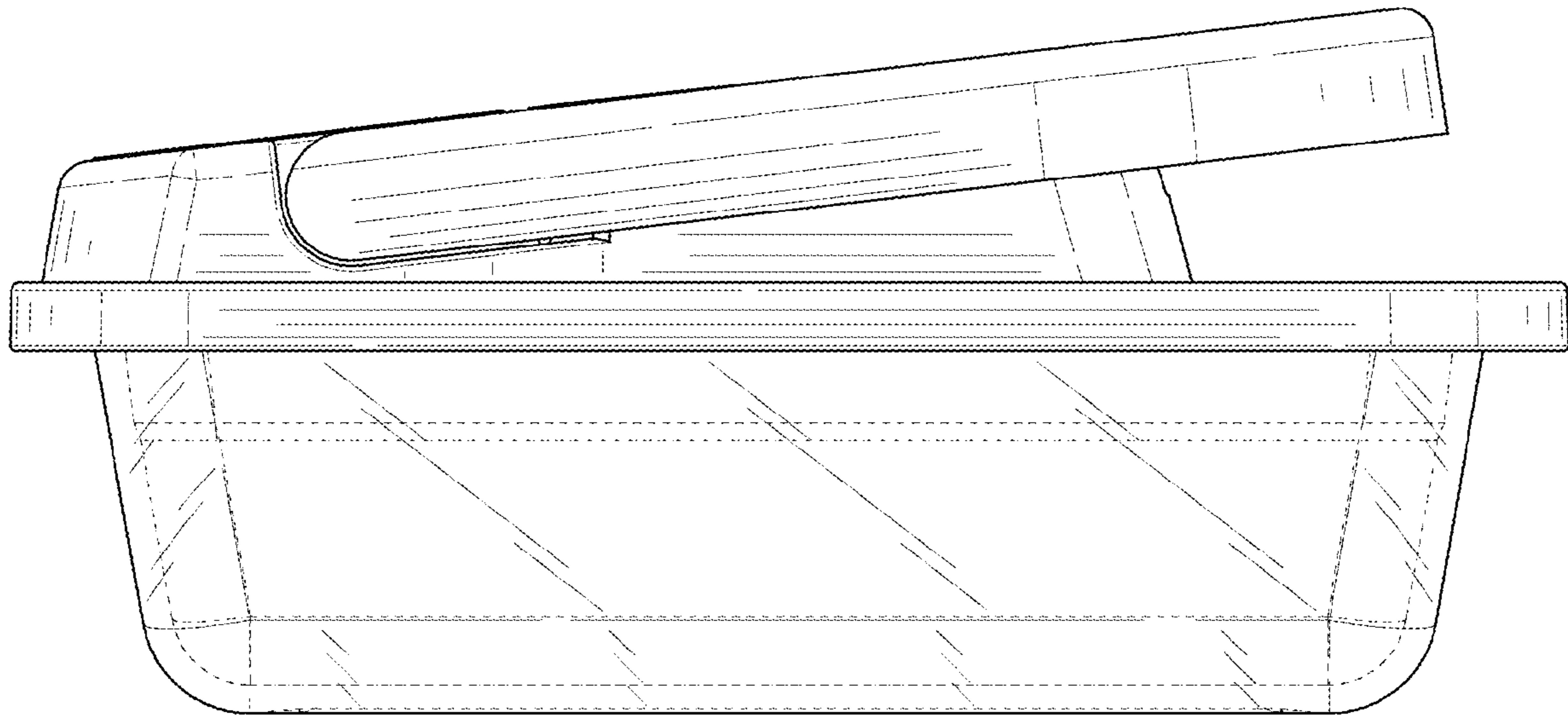


FIG. 6

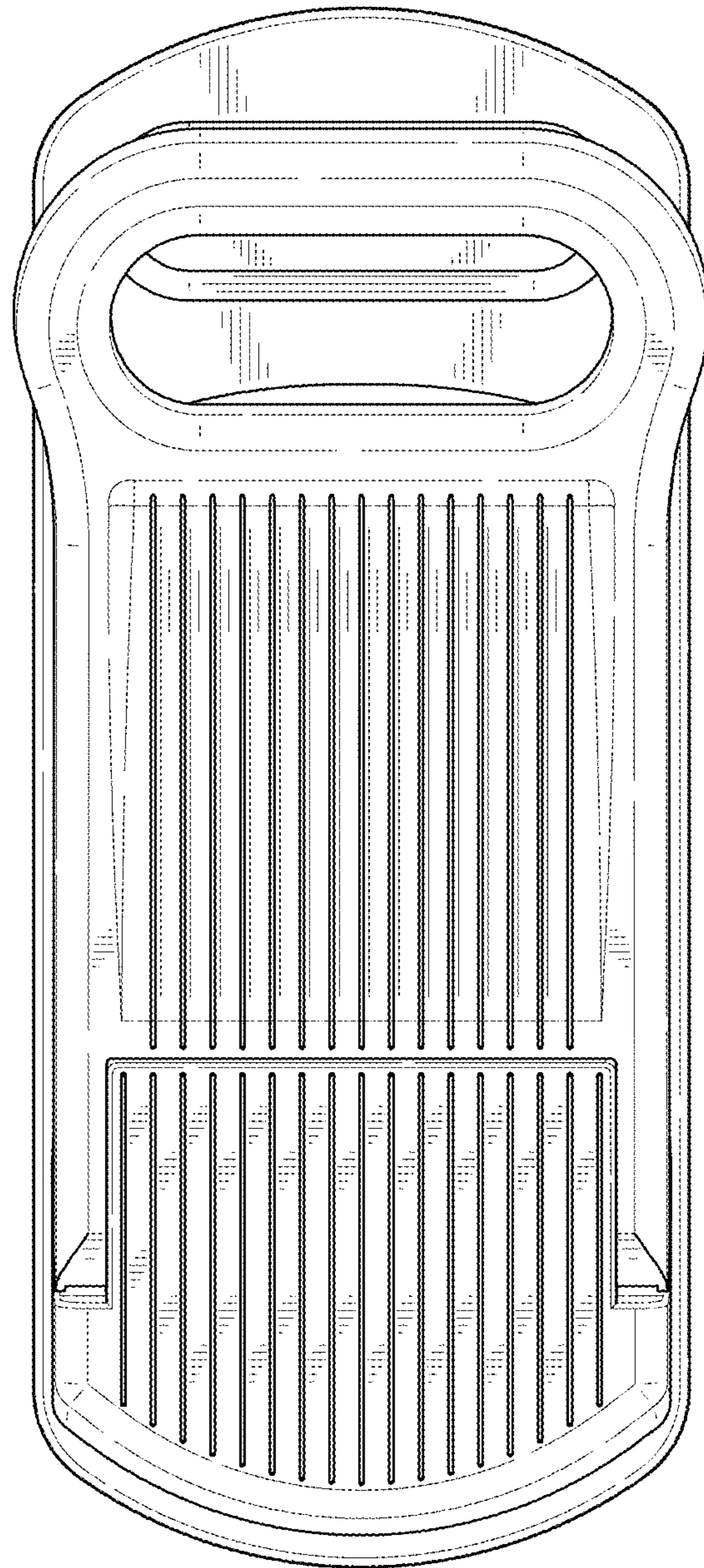


FIG. 7

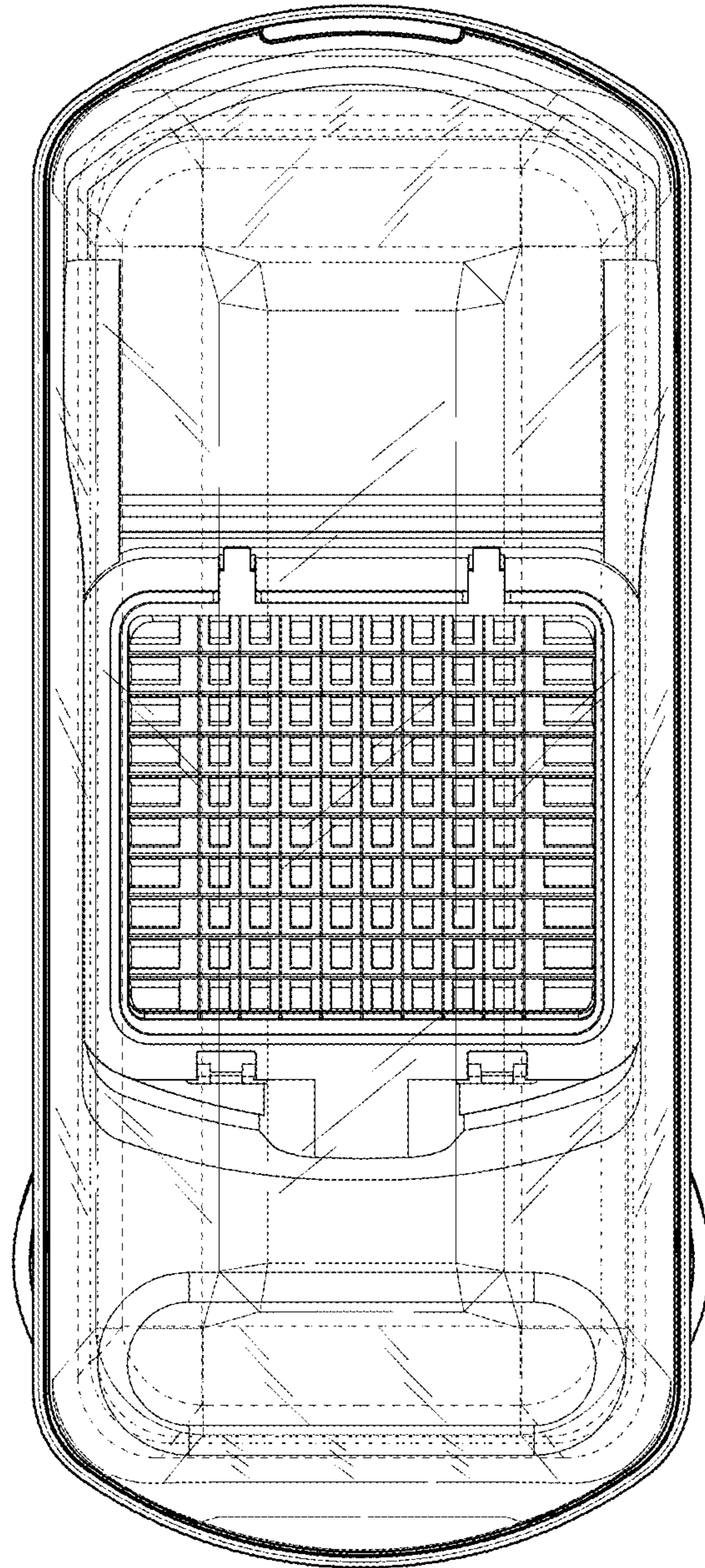


FIG. 8

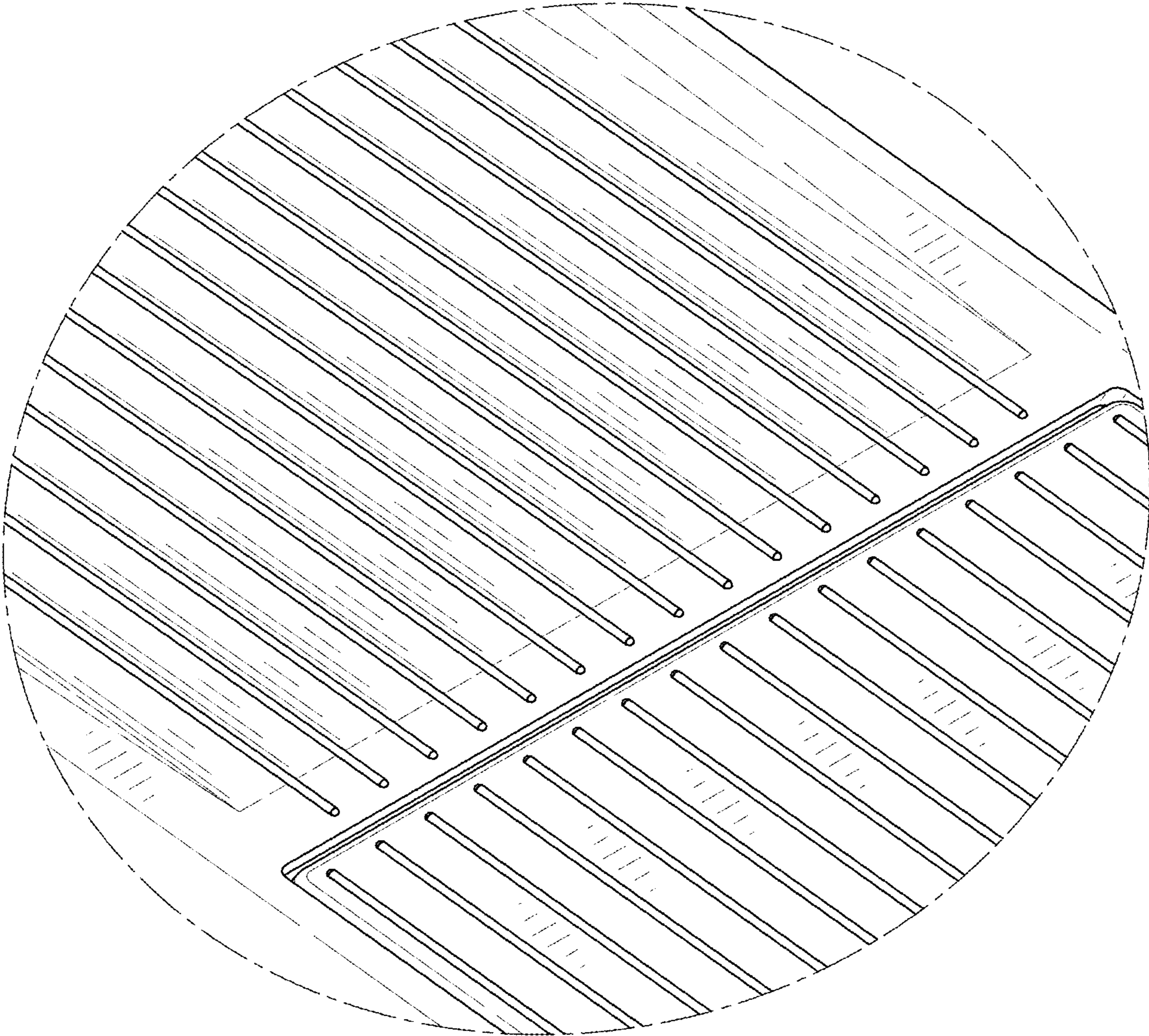


FIG. 9