

US00D962723S

(12) **United States Design Patent** (10) **Patent No.:** **US D962,723 S**  
**Kong** (45) **Date of Patent:** **\*\* Sep. 6, 2022**

(54) **BIODEGRADABLE KNIFE**  
(71) Applicant: **Zhi-Cong Kong**, Foshan (CN)  
(72) Inventor: **Zhi-Cong Kong**, Foshan (CN)  
(\*\*) Term: **15 Years**  
(21) Appl. No.: **29/773,705**  
(22) Filed: **Mar. 11, 2021**  
(51) **LOC (13) Cl.** ..... **07-03**  
(52) **U.S. Cl.**  
USPC ..... **D7/650**  
(58) **Field of Classification Search**  
USPC ..... D7/393–395, 401.2, 642–652, 654, 693,  
D7/695–696; D8/93, 97–100, 107, 300,  
D8/321; D22/117, 118  
CPC .... B26B 1/10; B26B 3/02; B26B 1/00; B26B  
3/00; B26B 3/03; B26B 3/04; B26B 3/05;  
B26B 9/00; B26B 9/02; B26B 11/006;  
B26B 29/02; A22C 25/006; A47G 21/06;  
A47G 21/065; B21D 53/64; B25G 1/00  
See application file for complete search history.

(56) **References Cited**  
U.S. PATENT DOCUMENTS  
D162,777 S \* 4/1951 Berger et al. .... D7/650  
D325,326 S \* 4/1992 Parven ..... D7/696  
D461,998 S \* 8/2002 Sylva ..... D7/650  
D643,263 S \* 8/2011 Spiegel ..... D7/649  
D643,264 S \* 8/2011 Spiegel ..... D7/649  
D691,002 S \* 10/2013 Zemel ..... D7/696  
D752,398 S \* 3/2016 Mou ..... D7/645  
D778,121 S \* 2/2017 Mou ..... D7/645  
D795,656 S \* 8/2017 McFarland ..... D7/645

D846,957 S \* 4/2019 Nagrani ..... D7/649  
D852,006 S \* 6/2019 Oakes ..... D7/645  
D911,785 S \* 3/2021 Gallop ..... D7/645  
D915,836 S \* 4/2021 Henderson ..... D7/645  
D923,438 S \* 6/2021 Vallo ..... D7/650  
D945,820 S \* 3/2022 Henry ..... D7/395

\* cited by examiner

*Primary Examiner* — Joseph Kukella  
*Assistant Examiner* — Darryl J Dardenne  
(74) *Attorney, Agent, or Firm* — Karin L. Williams; Alan  
D. Kamrath; Mayer & Williams PC

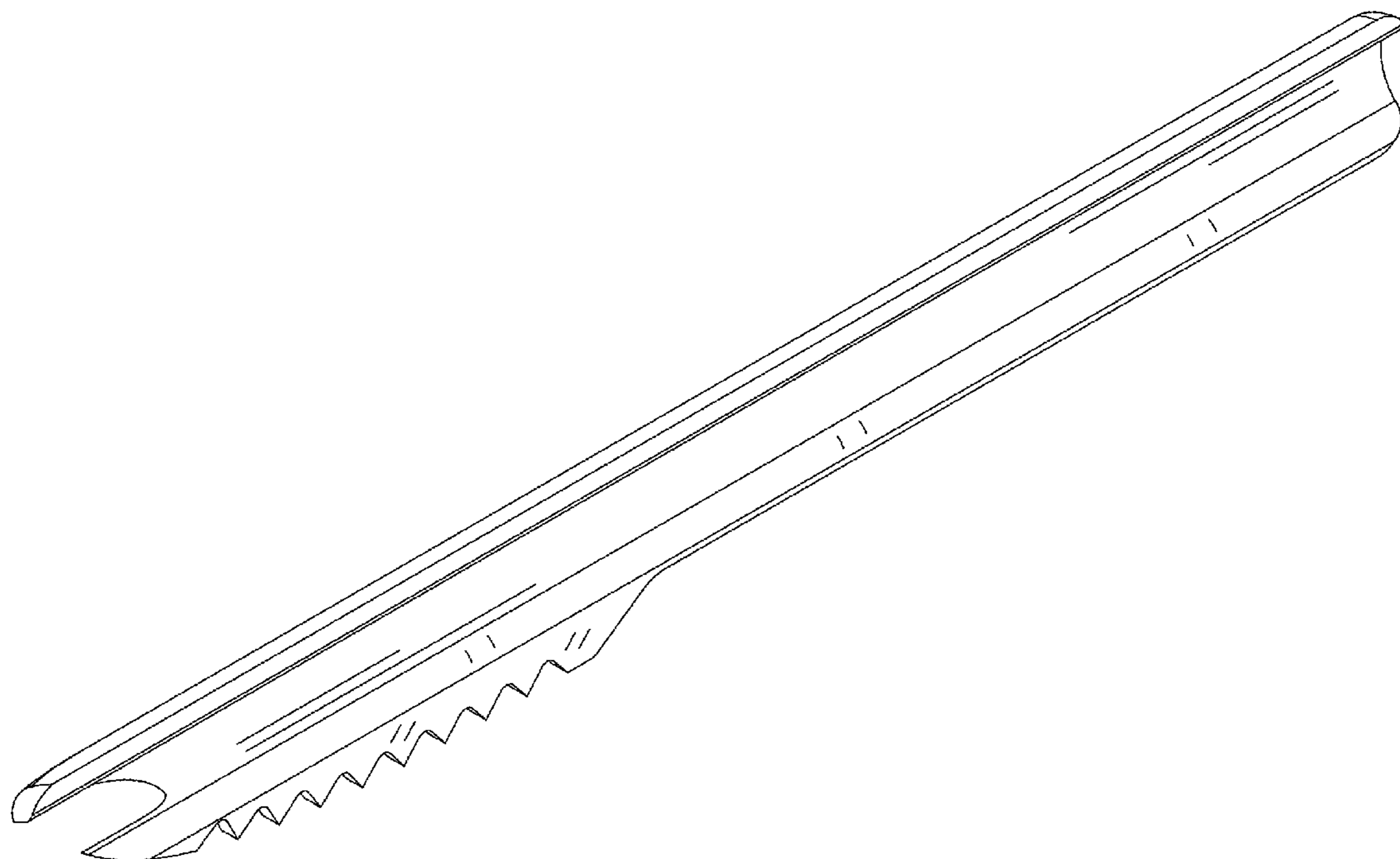
(57) **CLAIM**

The ornamental design for a biodegradable knife, as shown  
and described.

**DESCRIPTION**

FIG. 1 is a front side perspective view of a biodegradable  
knife showing my new design;  
FIG. 2 is a rear side perspective view of the biodegradable  
knife as shown in FIG. 1;  
FIG. 3 is a front elevational view in enlarge scale of the  
biodegradable knife as shown in FIG. 1;  
FIG. 4 is a rear elevational view in enlarge scale of the  
biodegradable knife as shown in FIG. 1;  
FIG. 5 is a left side elevational view of the biodegradable  
knife as shown in FIG. 1;  
FIG. 6 is a right side elevational view of the biodegradable  
knife as shown in FIG. 1;  
FIG. 7 is a top plan view of the biodegradable knife as  
shown in FIG. 1; and,  
FIG. 8 is a bottom plan view of the biodegradable knife as  
shown in FIG. 1.

**1 Claim, 7 Drawing Sheets**



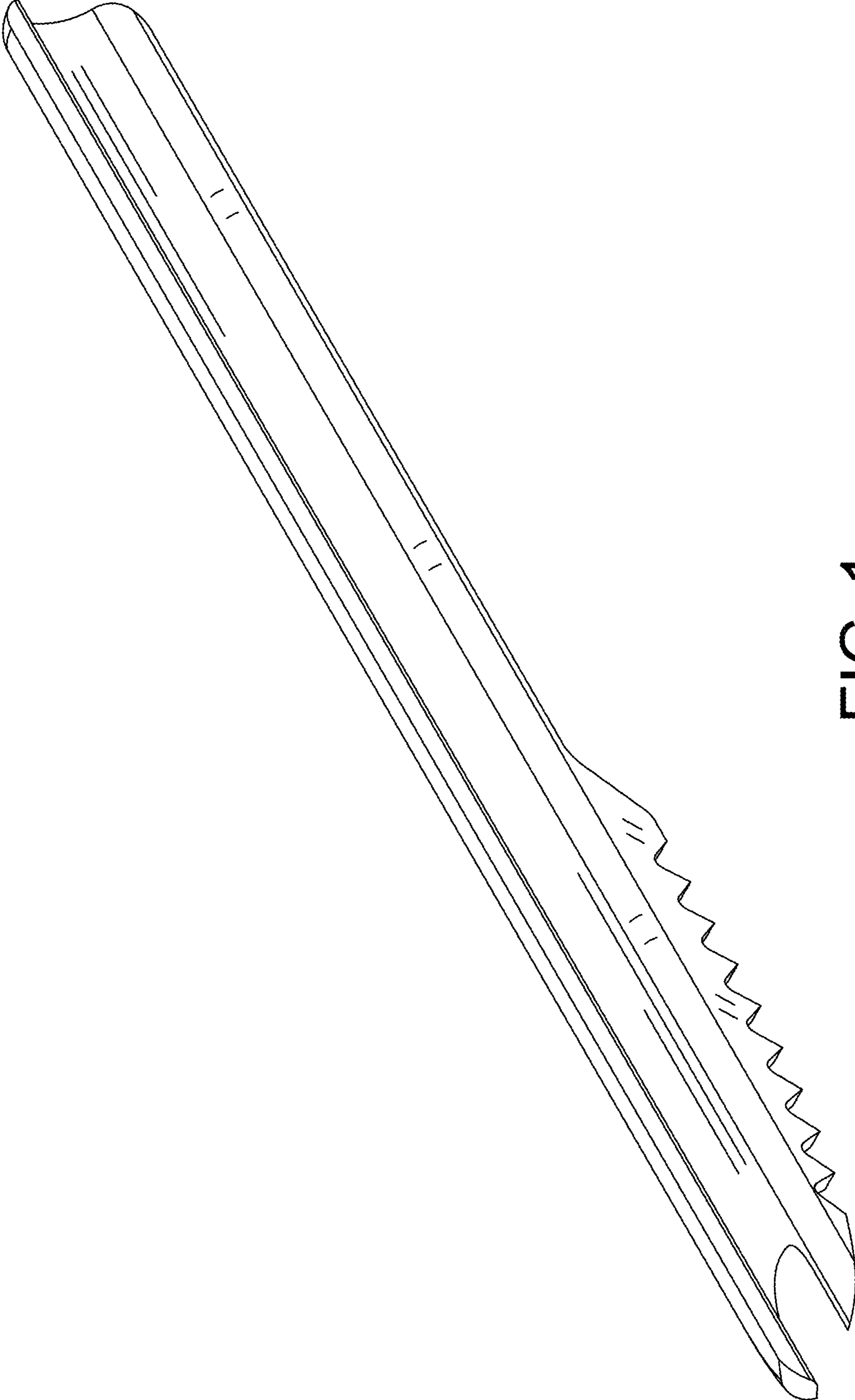


FIG. 1

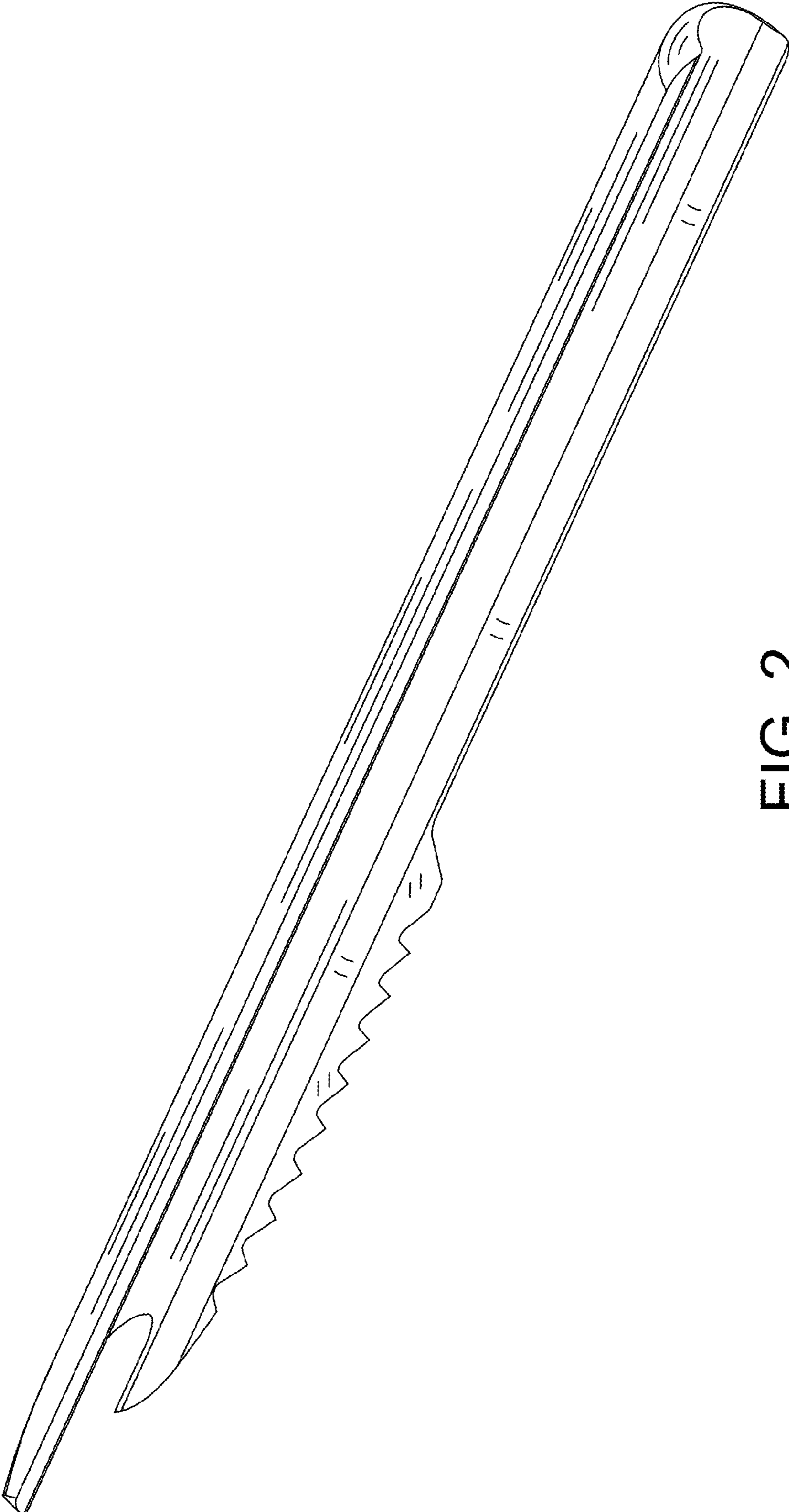


FIG. 2

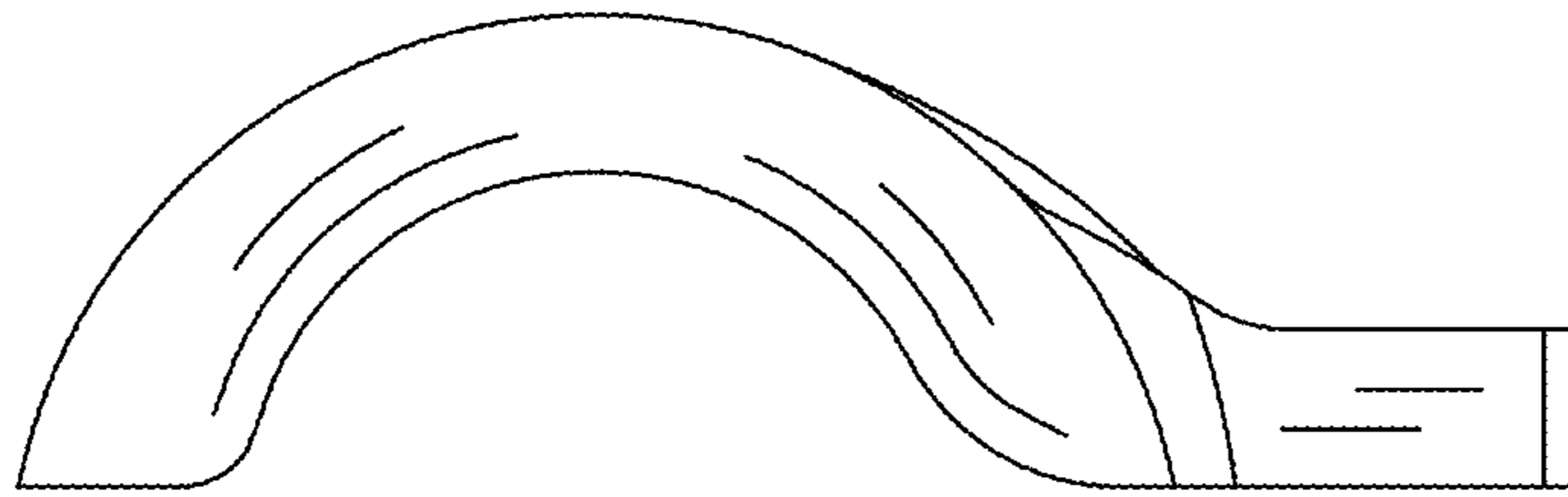


FIG. 4

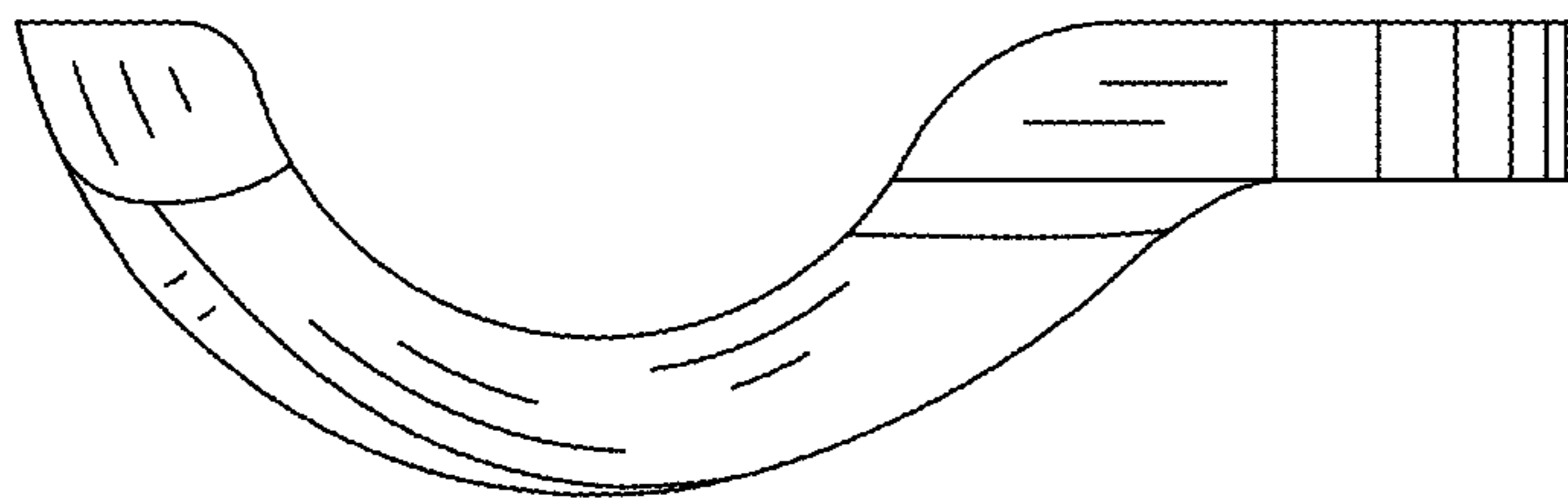


FIG. 3



FIG. 5

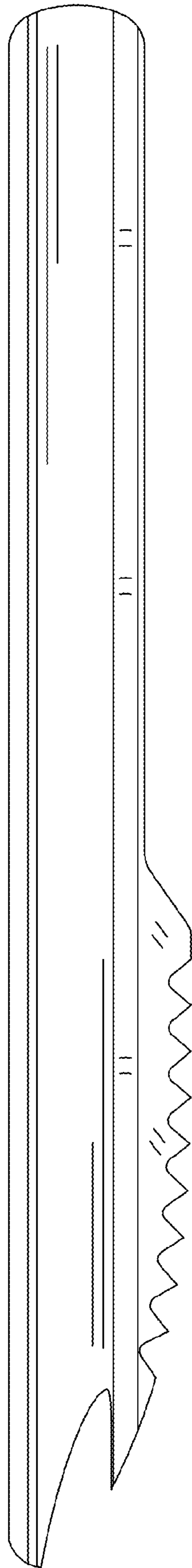


FIG. 6

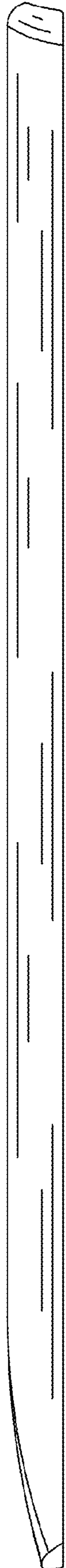


FIG. 7

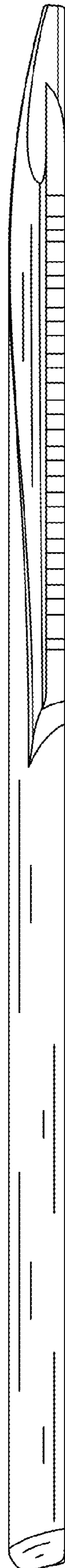


FIG. 8