



US00D962720S

(12) **United States Design Patent**  
**Yu et al.**

(10) **Patent No.:** **US D962,720 S**  
(45) **Date of Patent:** **\*\* Sep. 6, 2022**

- (54) **STORAGE BOX**
- (71) Applicant: **NINGBO BRONCO ART & CRAFTS CO., LTD.**, Zhejiang (CN)
- (72) Inventors: **Chunke Yu**, Zhejiang (CN); **Haibo Xu**, Zhejiang (CN)
- (73) Assignee: **NINGBO BRONCO ART & CRAFTS CO., LTD.**, Zhejiang (CN)

- D610,878 S \* 3/2010 Kim ..... D7/629
- D651,479 S \* 1/2012 Nie ..... D7/629
- D660,094 S \* 5/2012 Kyung ..... D7/629
- D696,075 S \* 12/2013 Mashike ..... D7/629
- D722,832 S \* 2/2015 Ra ..... D7/602
- D803,631 S \* 11/2017 Min ..... D7/629
- D830,790 S \* 10/2018 Lee ..... D7/629
- D901,990 S \* 11/2020 Pinelli ..... D7/629
- D904,134 S \* 12/2020 Choi ..... D7/629

(Continued)

- (\*\*) Term: **15 Years**
- (21) Appl. No.: **29/765,616**
- (22) Filed: **Jan. 11, 2021**

- (30) **Foreign Application Priority Data**
- Oct. 27, 2020 (CN) ..... 202030640797.8
- (51) **LOC (13) Cl.** ..... **09-07**
- (52) **U.S. Cl.**
- USPC ..... **D7/629**
- (58) **Field of Classification Search**
- USPC ..... D7/387, 504, 538, 540-543, 545-549, D7/553.1-553.3, 554.3-555, 601-604, D7/619.1-623, 628-631, 701-708.1, 709; D3/202, 304, 306, 315, 316; D9/414, D9/432, 455, 624, 643, 702, 703, 707, D9/709, 738, 739, 742, 743, 745, 747, D9/761
- CPC ..... A45C 11/20; A47G 21/16; A47J 47/14; A47J 47/16; B65D 1/36; B65D 25/06; B65D 43/02; B65D 81/3453; B65D 2543/00194; B65D 2543/00296; B65D 2543/00685; B65D 2543/00796; B65D 2585/366

See application file for complete search history.

- (56) **References Cited**
- U.S. PATENT DOCUMENTS**
- D372,174 S \* 7/1996 Arduini ..... D7/629
- D544,762 S \* 6/2007 Zimmerman ..... D7/629

**OTHER PUBLICATIONS**

Design No. 301117960.0000, Sep. 14, 2020—Korean Intellectual Property Office (KIPO) Publication Date—Jul. 8, 2021 Owner—Song Young-seok WIPO, available at <https://www3.wipo.int/designdb/en/index.jsp> (Year: 2020).\*

(Continued)

*Primary Examiner* — Mary Ann Calabrese  
*Assistant Examiner* — Natalya M Rapundalo  
(74) *Attorney, Agent, or Firm* — JCIP Global Inc.

(57) **CLAIM**

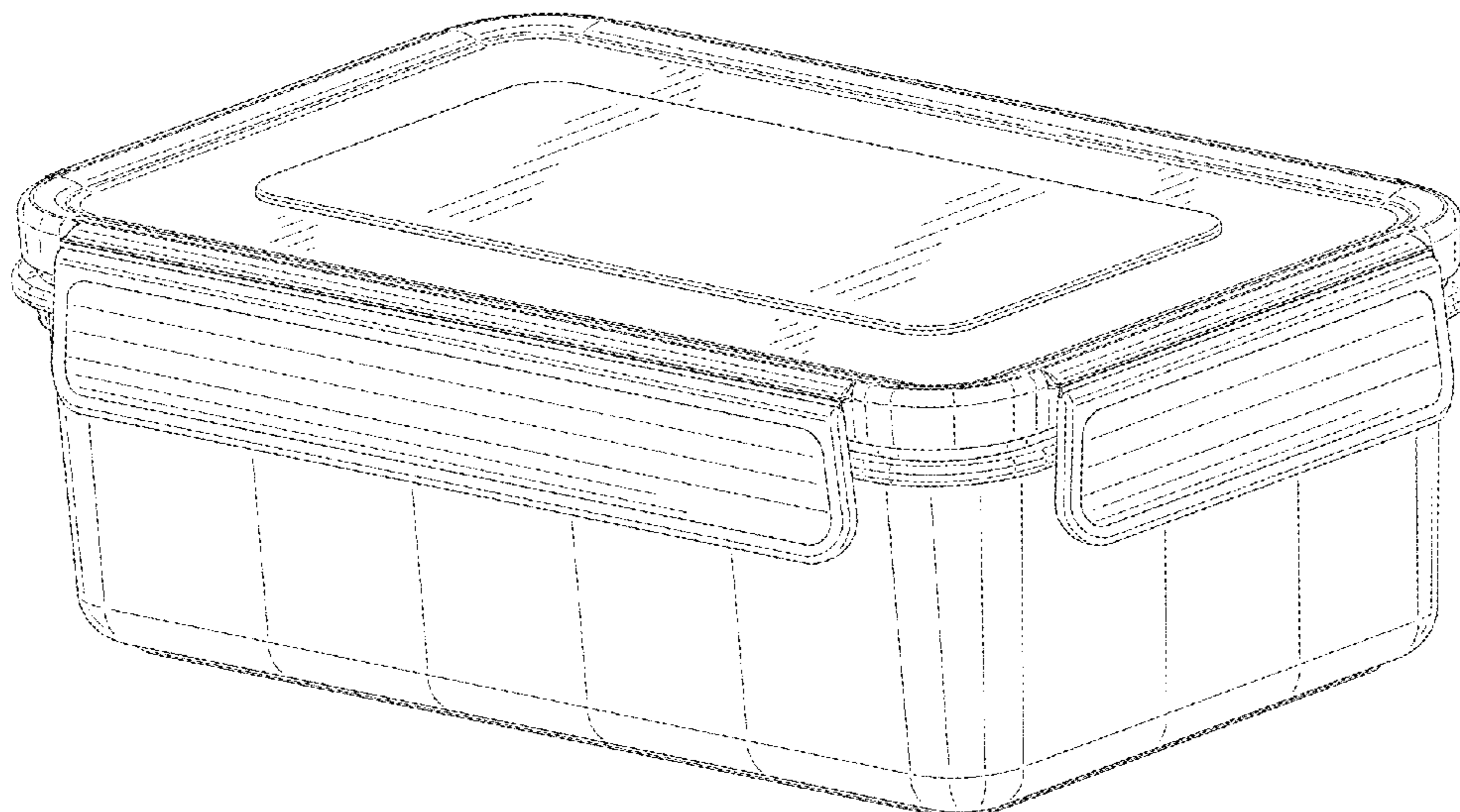
The ornamental design for a storage box, as shown and described.

**DESCRIPTION**

FIG. 1 is a perspective view of a storage box showing our new design;  
FIG. 2 is a front view thereof;  
FIG. 3 is a rear view thereof;  
FIG. 4 is a left side view thereof;  
FIG. 5 is a right side view thereof;  
FIG. 6 is a top view thereof; and,  
FIG. 7 is a bottom view thereof.

The broken lines illustrate portions of the article that form no part of the claimed design.

**1 Claim, 5 Drawing Sheets**



(56)

**References Cited**

U.S. PATENT DOCUMENTS

D948,965 S \* 4/2022 Guo ..... B65D 25/06  
D7/629  
2020/0189829 A1\* 6/2020 Han ..... B65D 25/06

OTHER PUBLICATIONS

Food Container, Rectangular Stainless Steel, Ikea, [online], [site visited Jun. 24, 2022], Available from internet URL: <https://www.ikea.com/us/en/p/ikea-365-food-container-with-lid-rectangular-stainless-steel-plastic-s09437506/> (Year: 2022).\*

Glass Meal Prep Food Storage Containers, We and Green, [online], [site visited Jun. 24, 2022], Available from internet URL: <https://weangreen.com/products/meal-tubs-blueberry-36-oz-1090-ml> (Year: 2022).\*

\* cited by examiner

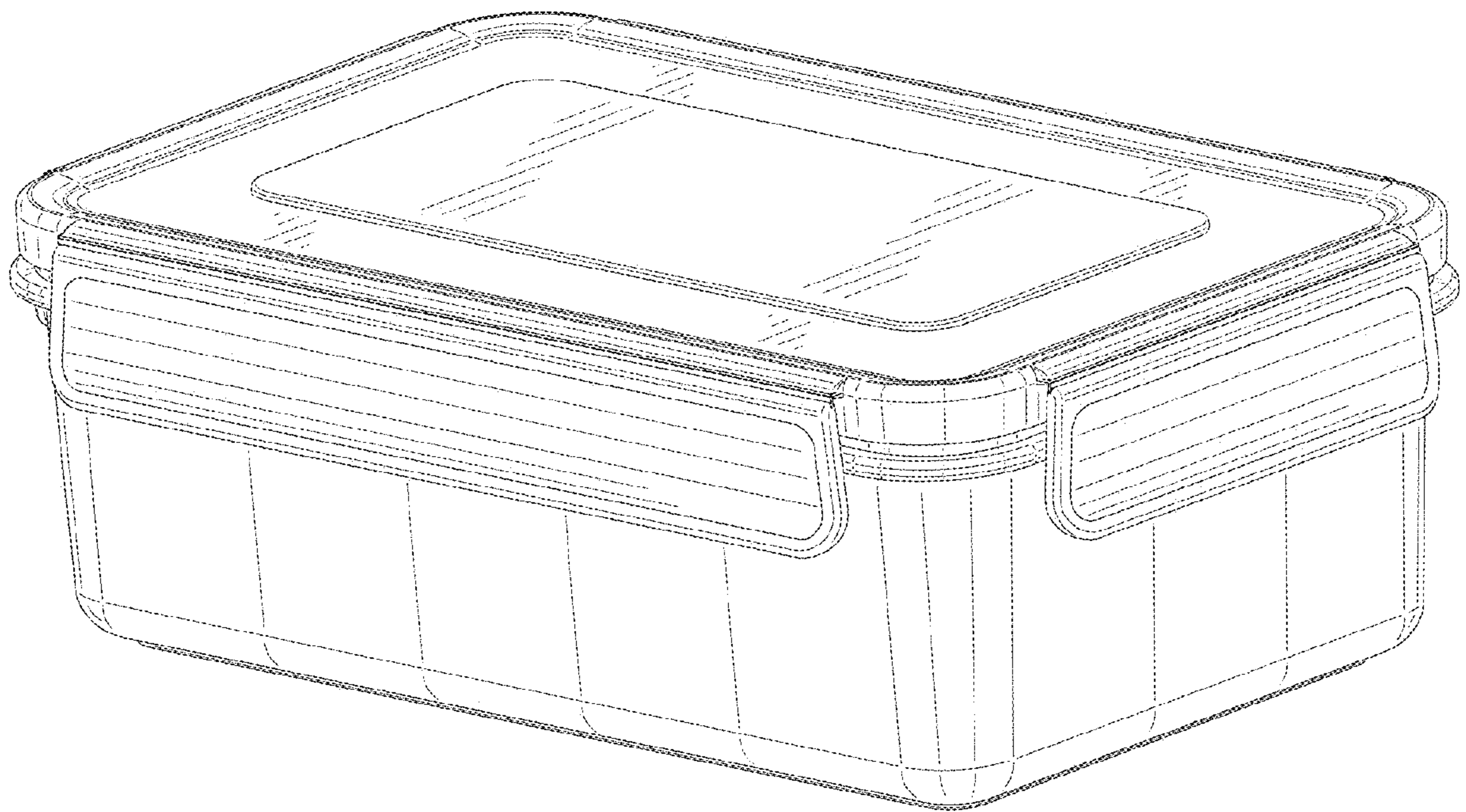


FIG. 1

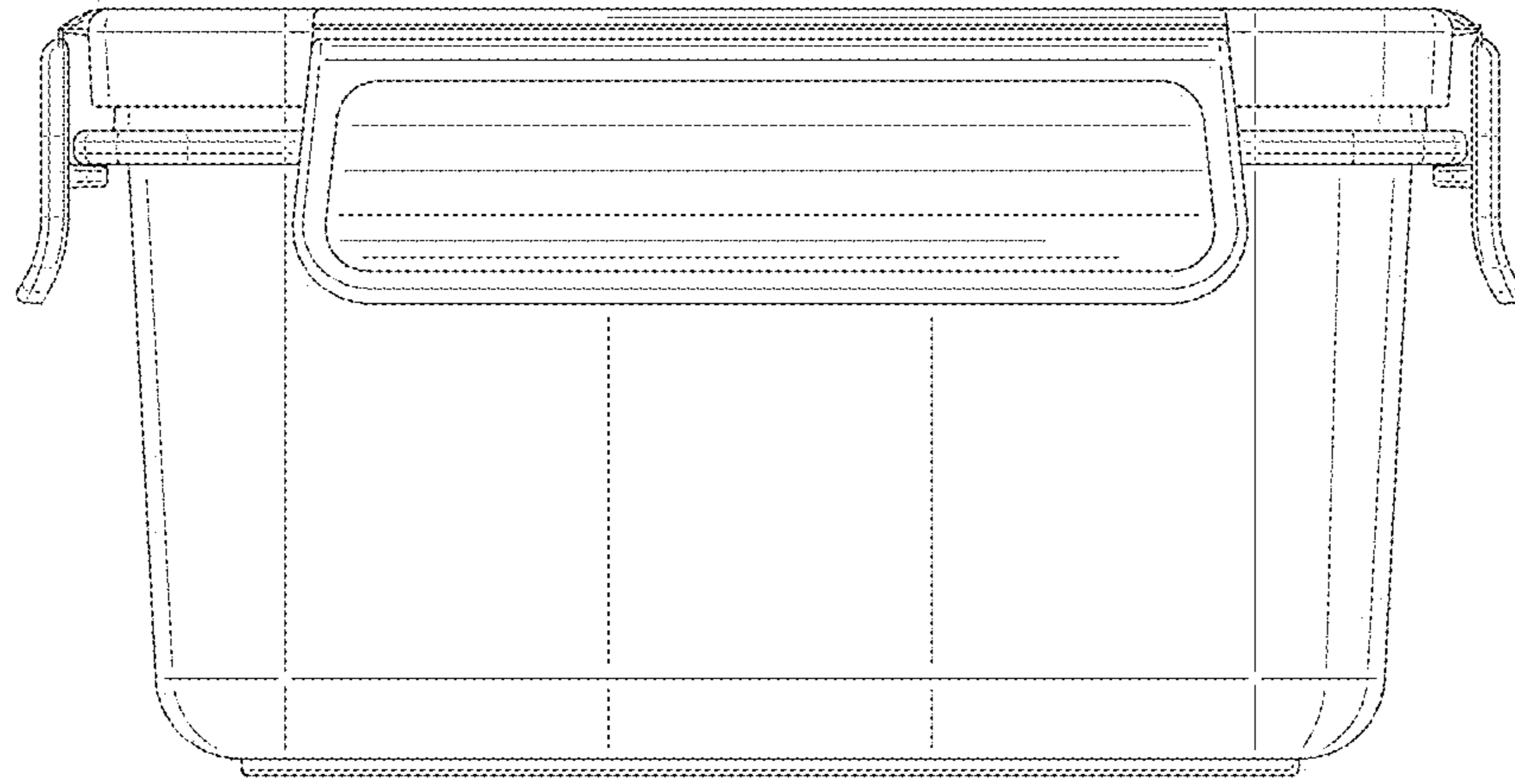


FIG. 2

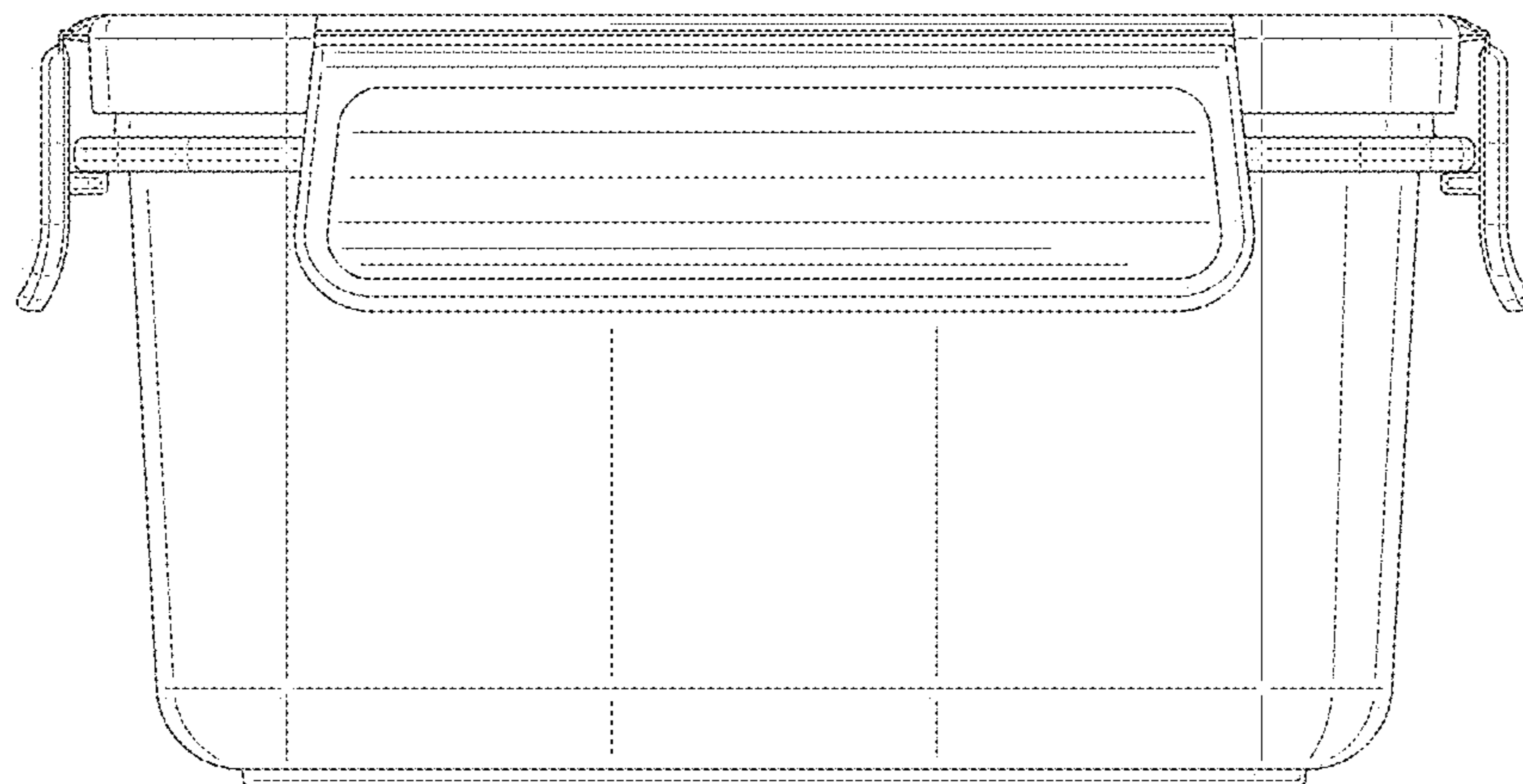


FIG. 3

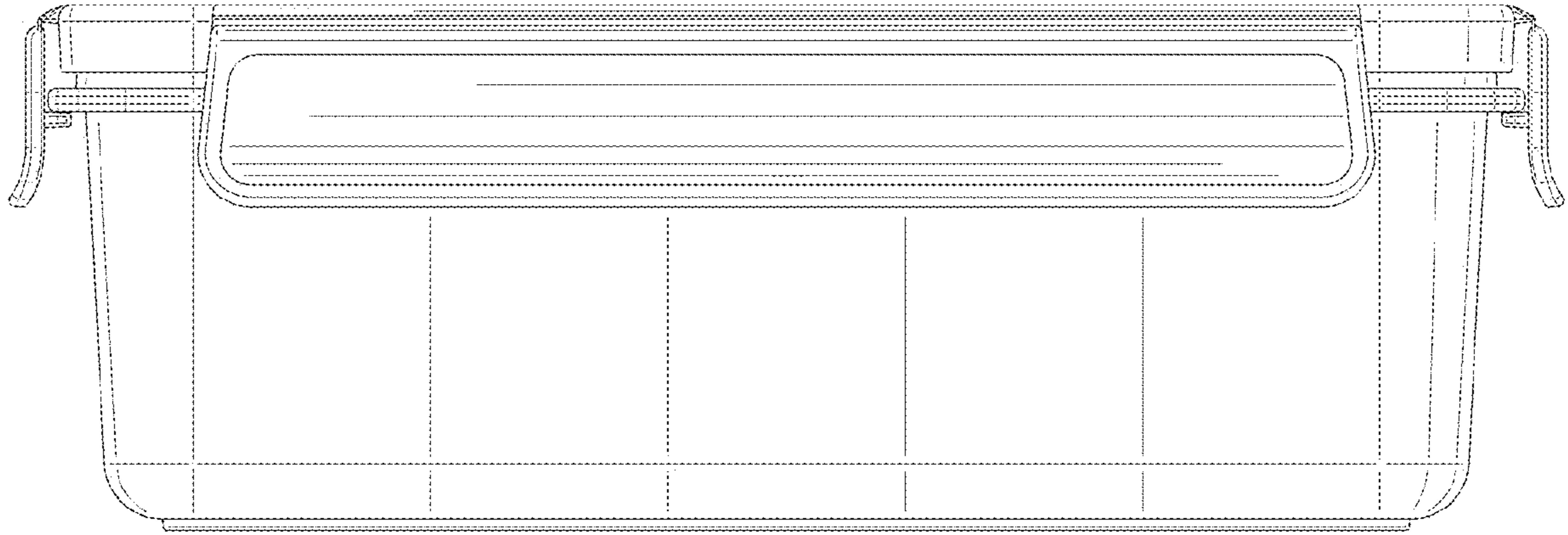


FIG. 4

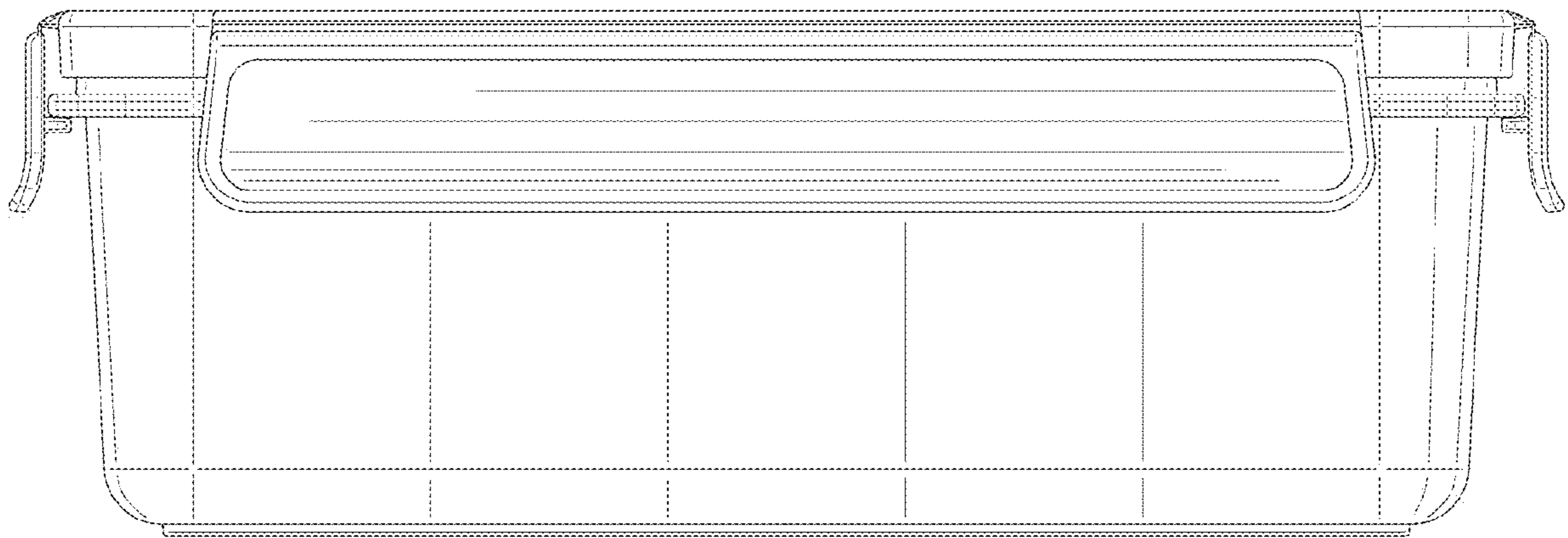


FIG. 5

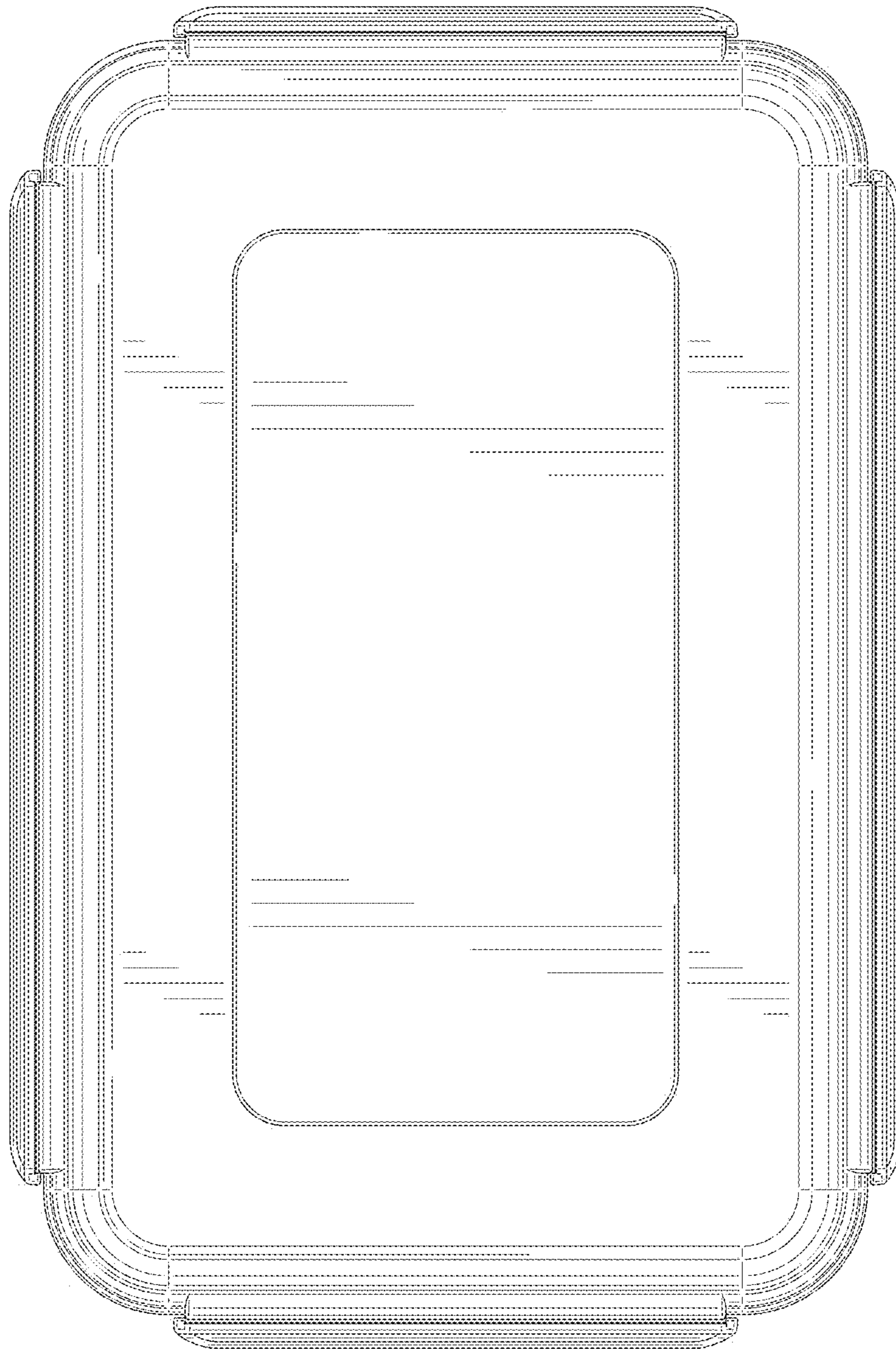


FIG. 6

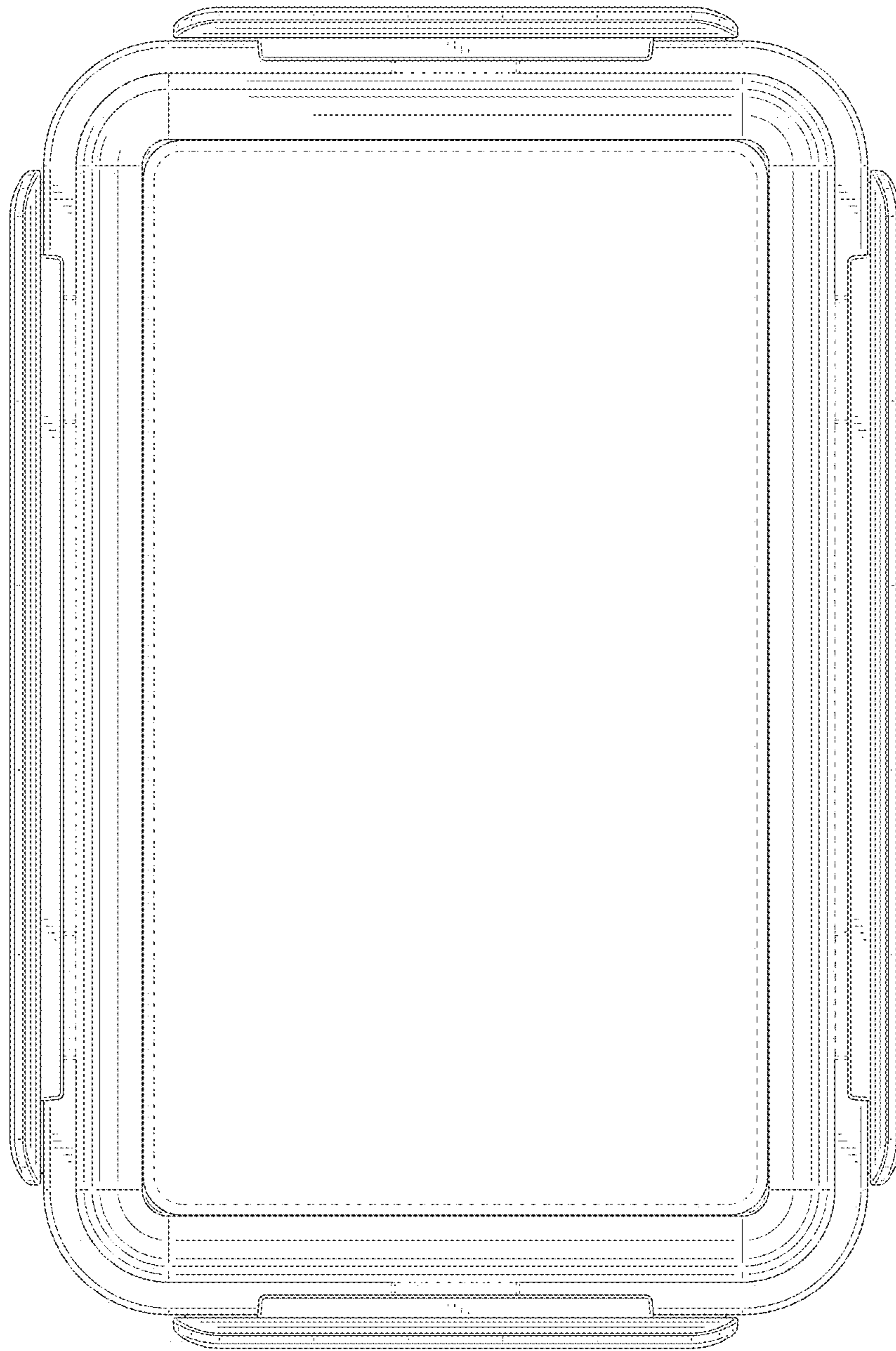


FIG. 7