

US00D962719S

(12) **United States Design Patent** (10) **Patent No.:** **US D962,719 S**
Yoshikawa (45) **Date of Patent:** **** Sep. 6, 2022**

(54) **STORAGE CONTAINER FOR FOOD**

(71) Applicant: **Kabushiki Kaisha Yoshikawakuni Kogyosho**, Nara-ken (JP)

(72) Inventor: **Toshiyuki Yoshikawa**, Nara-ken (JP)

(73) Assignee: **Kabushiki Kaisha Yoshikawakuni Kogyosho**, Naraken (JP)

(**) Term: **15 Years**

(21) Appl. No.: **29/723,363**

(22) Filed: **Feb. 6, 2020**

(30) **Foreign Application Priority Data**

Oct. 21, 2019 (JP) 2019-023368

(51) **LOC (13) Cl.** **09-07**

(52) **U.S. Cl.**
USPC **D7/629**

(58) **Field of Classification Search**
USPC D7/500, 511, 538, 542, 550.1,
D7/553.4-553.6, 554.2, 601, 605, 608,
(Continued)

(56) **References Cited**

U.S. PATENT DOCUMENTS

D133,369 S * 8/1942 Chaplin 220/675
D212,678 S * 11/1968 Swett D7/629
(Continued)

FOREIGN PATENT DOCUMENTS

CN 306031174 * 9/2020
IL 56461 * 1/2017
(Continued)

OTHER PUBLICATIONS

Ezy Oval Keeper Container, Tupperware, amazon.com, published by Tupperware, first available on Nov. 19, 2016 © 1996-2021

Amazon.com, Inc., online, site visited Sep. 16, 2021. Available at URL: <https://www.amazon.ca/Tupperware-Keeper-Containers-Limited-Release/dp/B01N0CL9X8> (Year: 2016).*

Primary Examiner — Holly E Thurman

Assistant Examiner — Altaira J Swangin

(74) *Attorney, Agent, or Firm* — Vedder Price P.C.

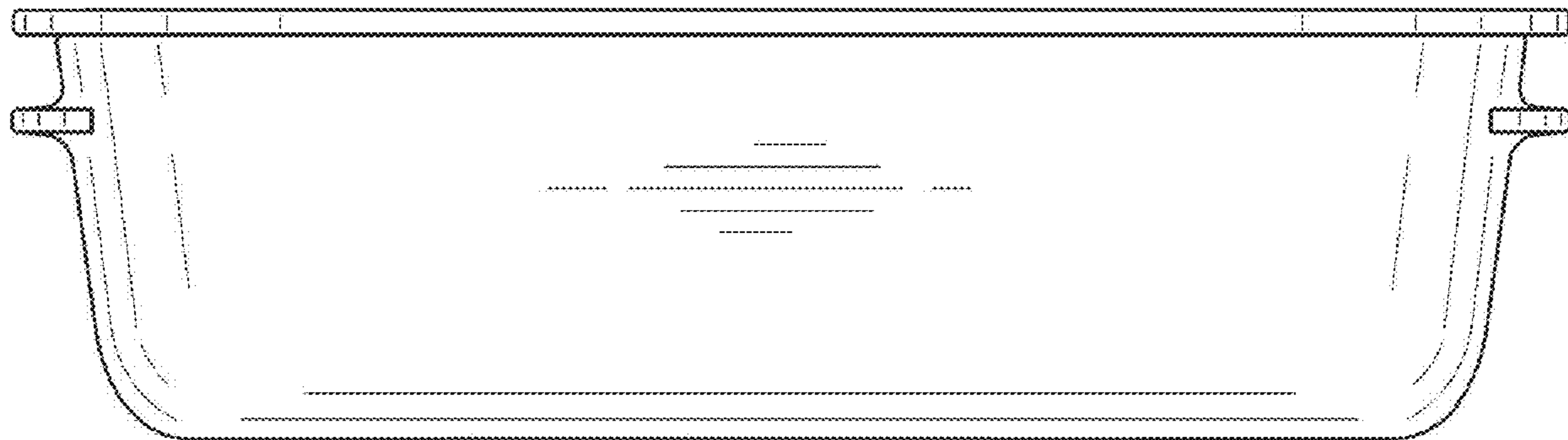
(57) **CLAIM**

The ornamental design for a storage container for food, as shown and described.

DESCRIPTION

FIG. 1 is a front view of a storage container for food;
FIG. 2 is a top plan view thereof;
FIG. 3 is a bottom view thereof;
FIG. 4 is a right side view thereof;
FIG. 5 is a sectional view thereof taken along line 5-5 of FIG. 2;
FIG. 6 is a sectional view thereof taken along line 6-6 of FIG. 2;
FIG. 7 is a perspective view thereof,
FIG. 8 is a perspective view of a body of the storage container for food, shown with the lid removed for ease of illustration;
FIG. 9 is a front view of a lid of the storage container for food, shown removed from the body for ease of illustration;
FIG. 10 is a right side view of the lid thereof;
FIG. 11 is a perspective view of the lid thereof when viewed from below; and,
FIG. 12 is a perspective view of the storage container for food, shown in a state of use with environment.
The broken lines showing the environment of a tray and additional container in FIG. 12 form no part of the claimed design.

1 Claim, 11 Drawing Sheets



(58) **Field of Classification Search**

USPC D7/629, 708, 710; D3/11, 201, 207, 212,
D3/273, 294, 302, 304, 901, 903-905;
D9/767, 772, 781; D13/108
CPC A24F 23/00; A45C 11/20
See application file for complete search history.

(56) **References Cited**

U.S. PATENT DOCUMENTS

D220,751 S * 5/1971 Artz D9/428
D248,357 S * 7/1978 Daenen D7/505
D257,107 S * 9/1980 Daenen D7/586
D276,400 S * 11/1984 Daenen D7/614
D279,067 S * 6/1985 Kuster D7/554.2
D304,680 S * 11/1989 Carlson D7/708
D322,013 S * 12/1991 Daenen D7/542
D330,312 S * 10/1992 Narsutis D7/629
D332,204 S * 1/1993 Carlson D7/629
D346,720 S * 5/1994 Onneweer D7/538
D368,626 S * 4/1996 Hentz D7/360
D383,671 S * 9/1997 Phillips D7/629
5,876,811 A * 3/1999 Blackwell B65D 81/3453
220/DIG. 10
D469,320 S * 1/2003 Pettaweebuncha D7/629
D486,995 S * 2/2004 Liu D7/502
D490,656 S * 6/2004 Levien D7/554.2
D502,394 S * 3/2005 Jackson D7/602
D525,120 S * 7/2006 Maskell D9/428
D550,512 S * 9/2007 Delsol D7/615
D613,122 S * 4/2010 Curtin A47J 47/10
D7/629
D637,449 S * 5/2011 Cornu D7/354
D640,131 S * 6/2011 Gibson D9/428

D646,159 S * 10/2011 Bellamah D9/424
D651,476 S * 1/2012 Hauser D7/629
D661,182 S * 6/2012 Noer D9/428
D665,253 S * 8/2012 Bellamah D9/424
D696,910 S * 1/2014 Franczyk D7/629
D700,481 S * 3/2014 Yessin D7/602
D700,483 S * 3/2014 Yessin D7/629
D720,613 S * 1/2015 Dziaba D9/424
D736,706 S * 8/2015 Huang D13/108
D750,425 S * 3/2016 Shirley D7/391
D752,973 S * 4/2016 Thurin D7/629
D772,701 S * 11/2016 Dziaba D9/428
D782,415 S * 3/2017 Zhang D13/108
D787,930 S * 5/2017 Buck D9/425
D789,784 S * 6/2017 Hendricks D9/424
D826,151 S * 8/2018 Akana D13/108
D845,755 S * 4/2019 Delgado Carmona D9/425
D847,741 S * 5/2019 Hu D13/108
D857,626 S * 8/2019 Zhang D13/108
D872,689 S * 1/2020 Vardi D13/108
D886,601 S * 6/2020 Lucas D9/428
D891,879 S * 8/2020 Adams, Jr. D7/629
D898,526 S * 10/2020 Delgado Carmona D7/629
D918,033 S * 5/2021 Stewart D9/425
D932,231 S * 10/2021 Humphreys D7/354
D933,006 S * 10/2021 Zhao D13/108
11,147,309 B2 * 10/2021 Patel D21J 3/10
D941,022 S * 1/2022 Kwiatkowski D3/294
D947,020 S * 3/2022 Drolet D9/425
D947,532 S * 4/2022 Silva D3/294

FOREIGN PATENT DOCUMENTS

JP D1666776 * 8/2020
RU 00093111 * 5/2015

* cited by examiner

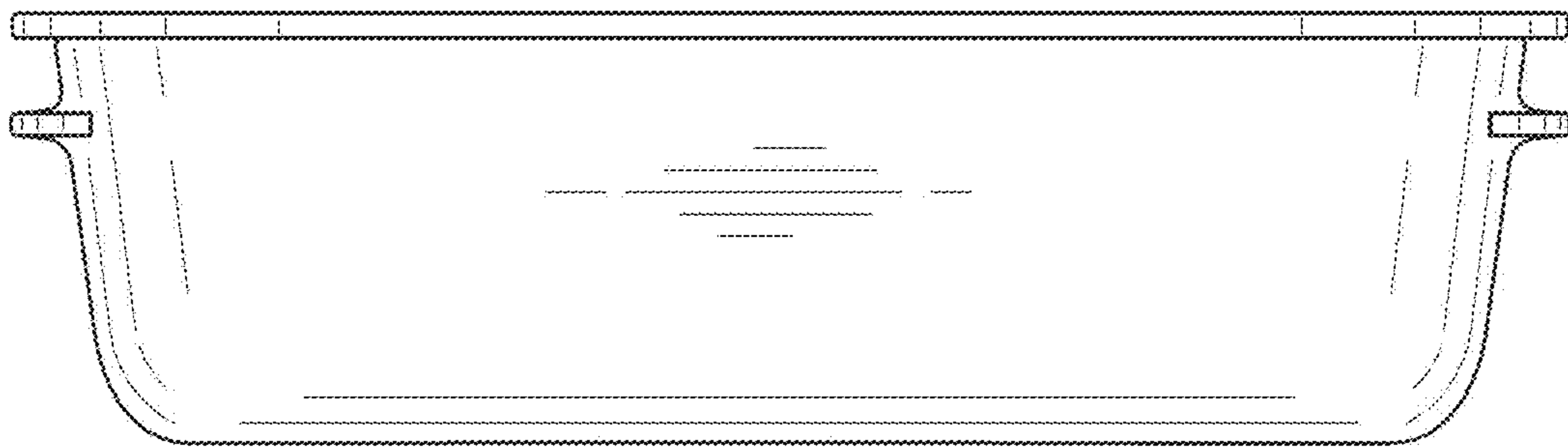


FIG. 1

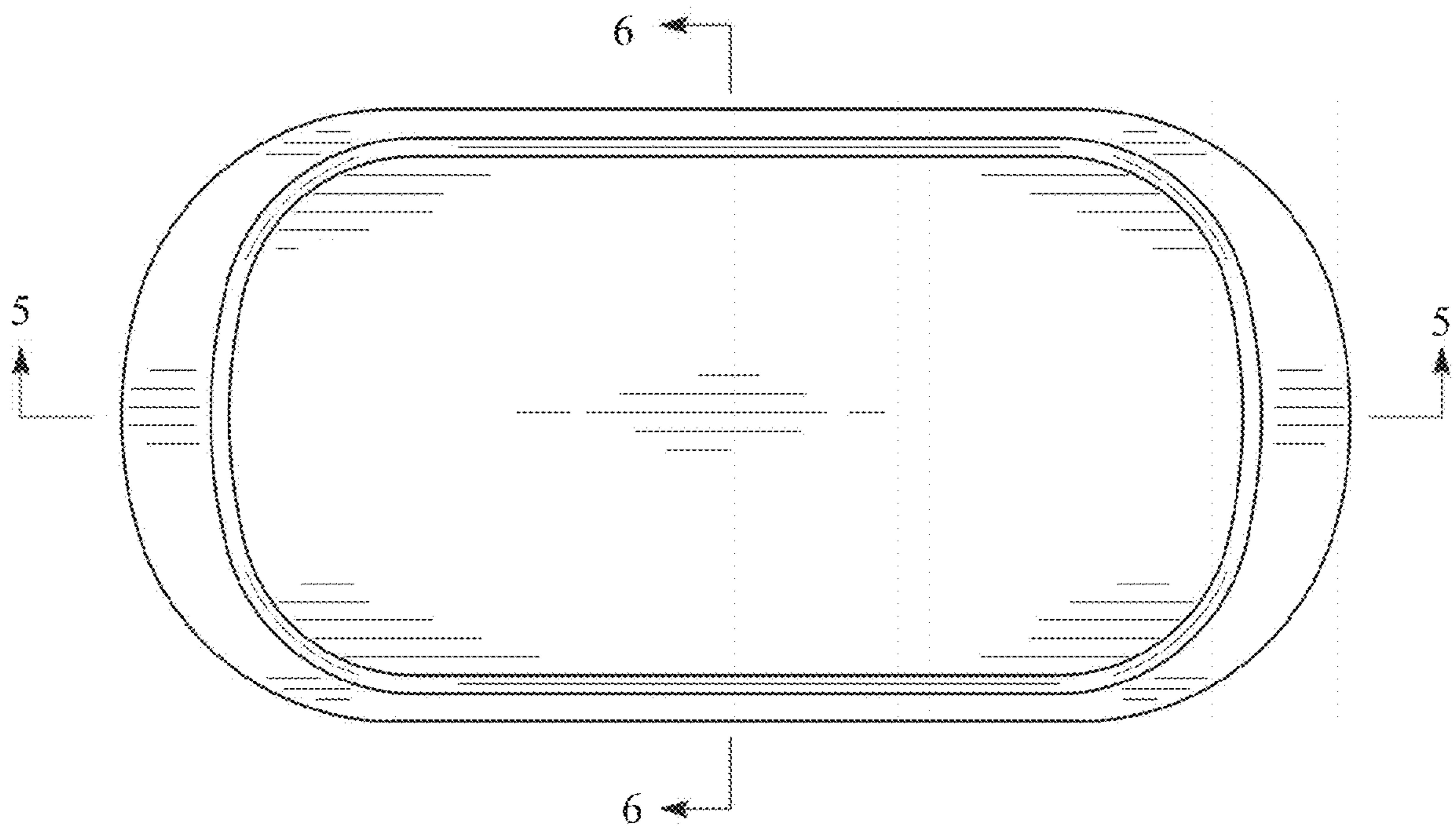


FIG. 2

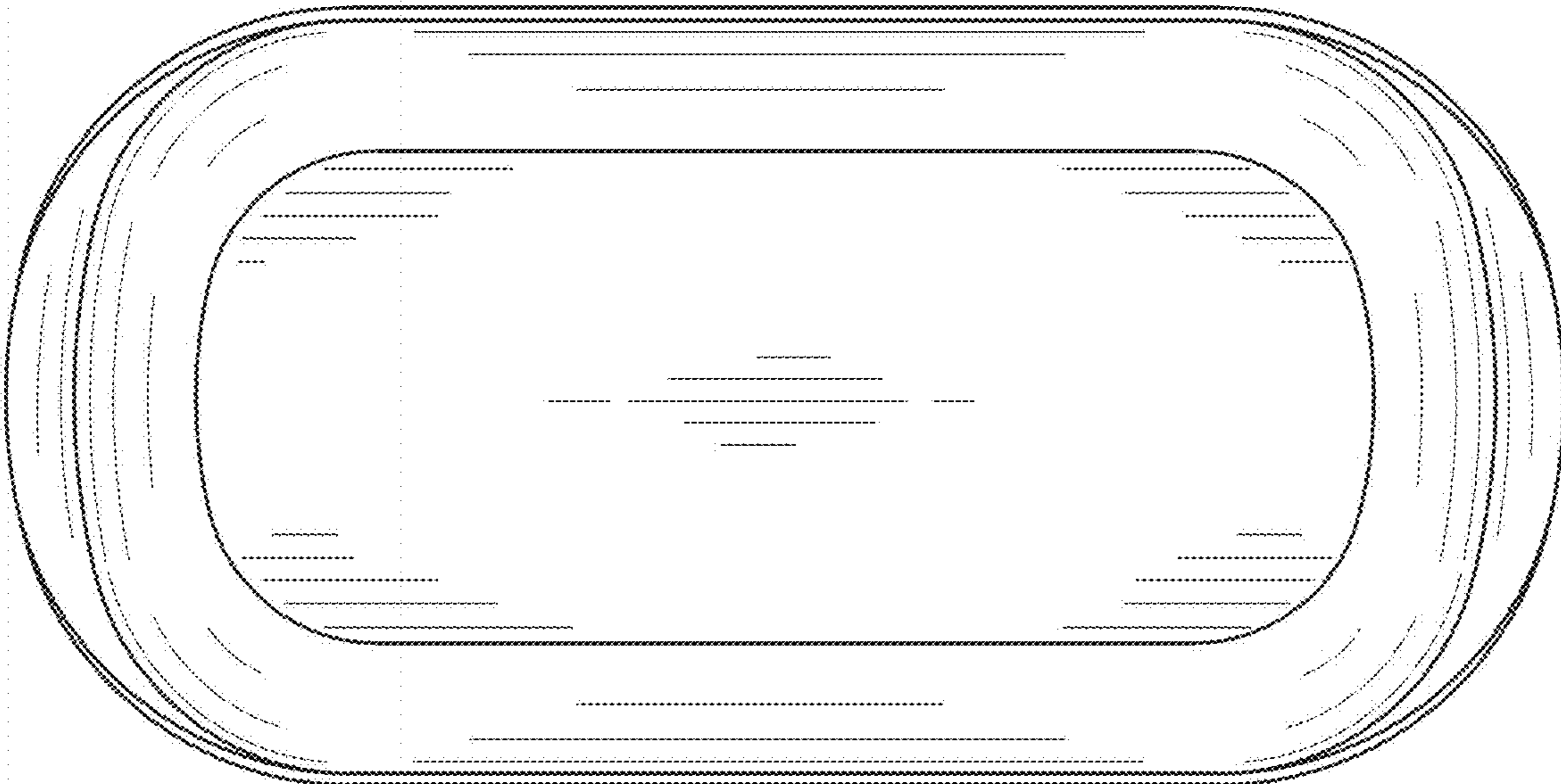


FIG. 3

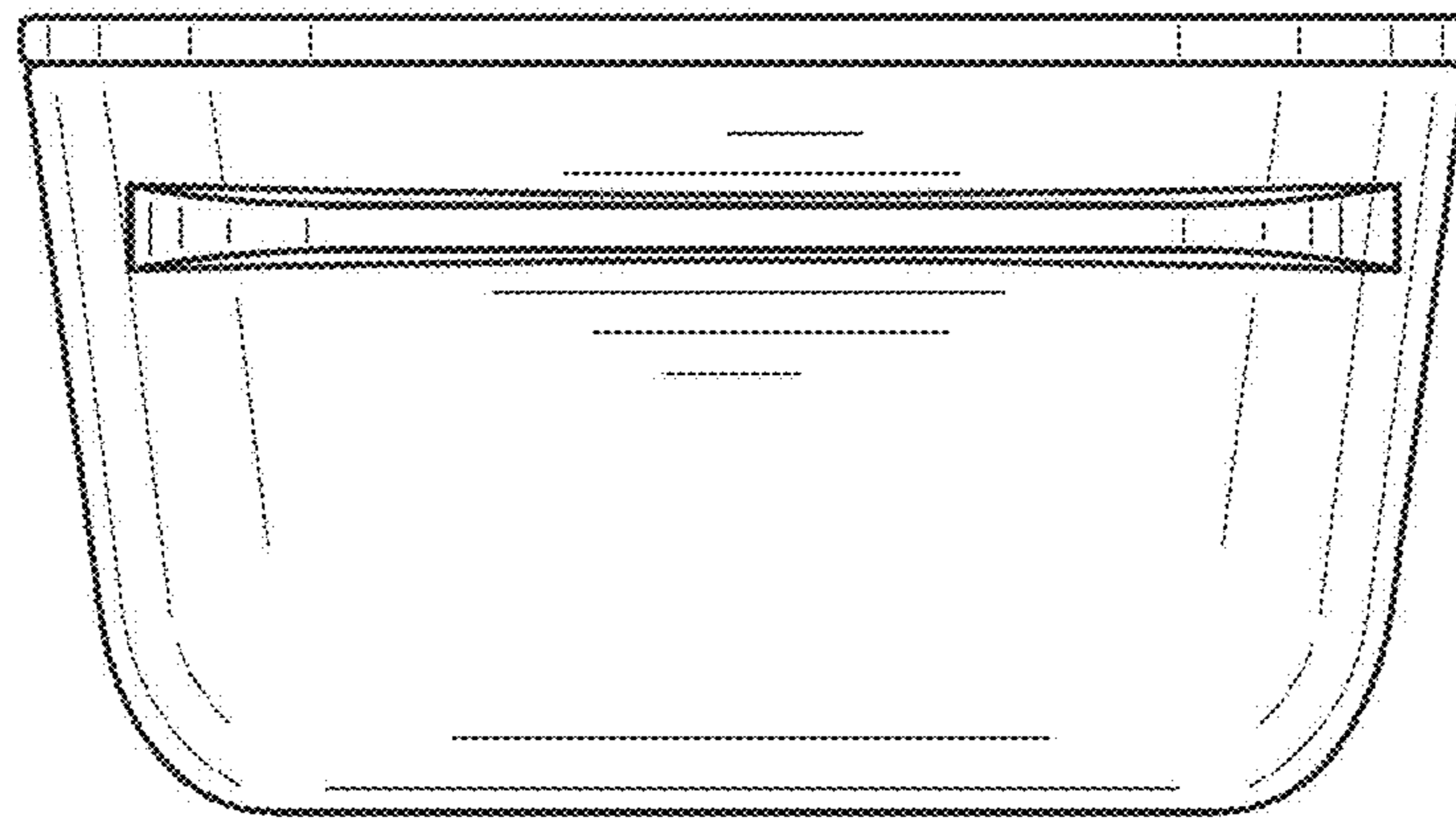


FIG. 4

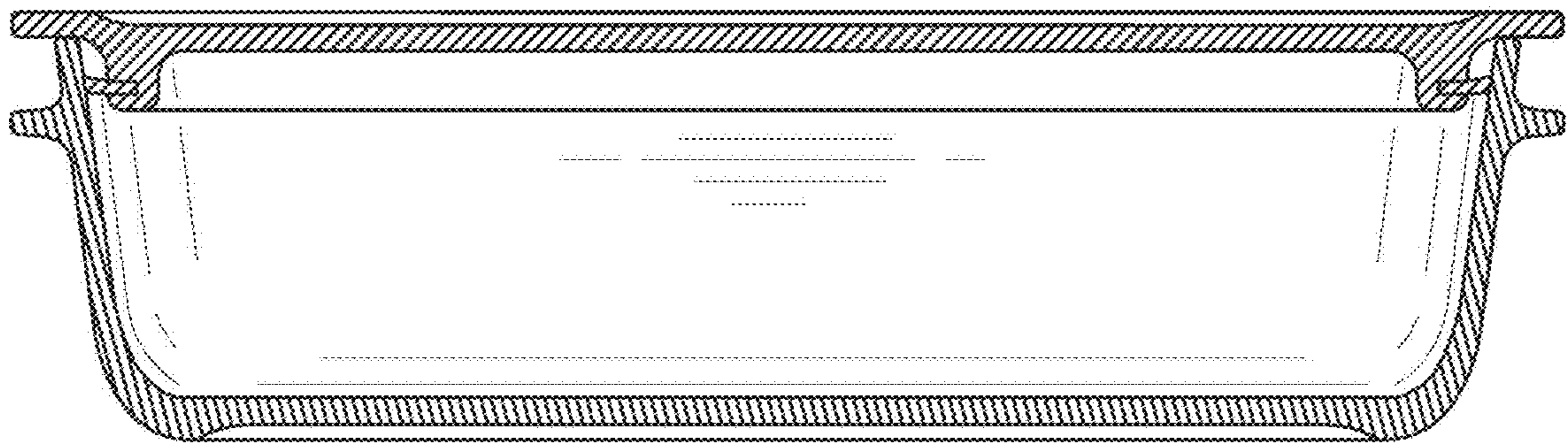


FIG. 5

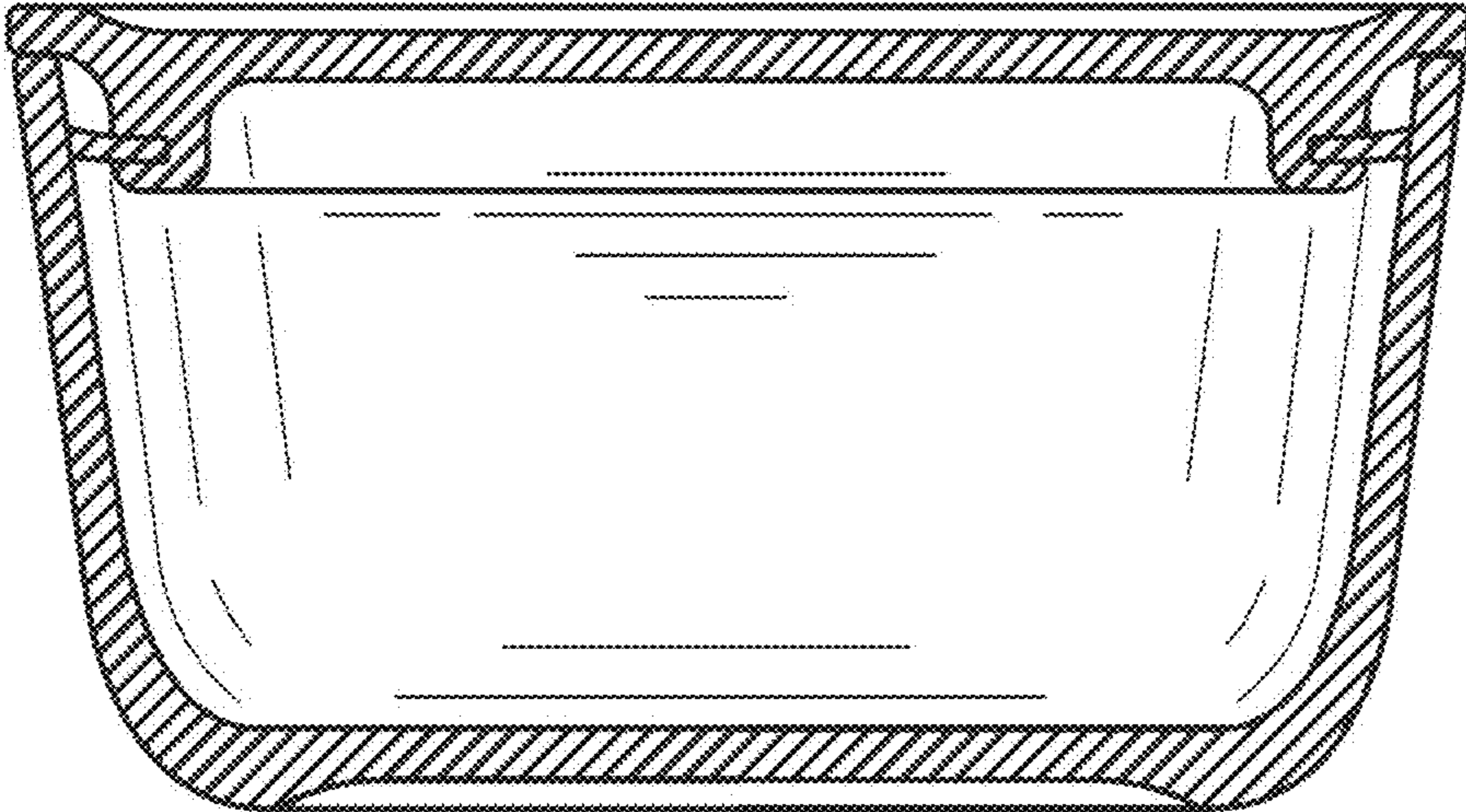


FIG. 6

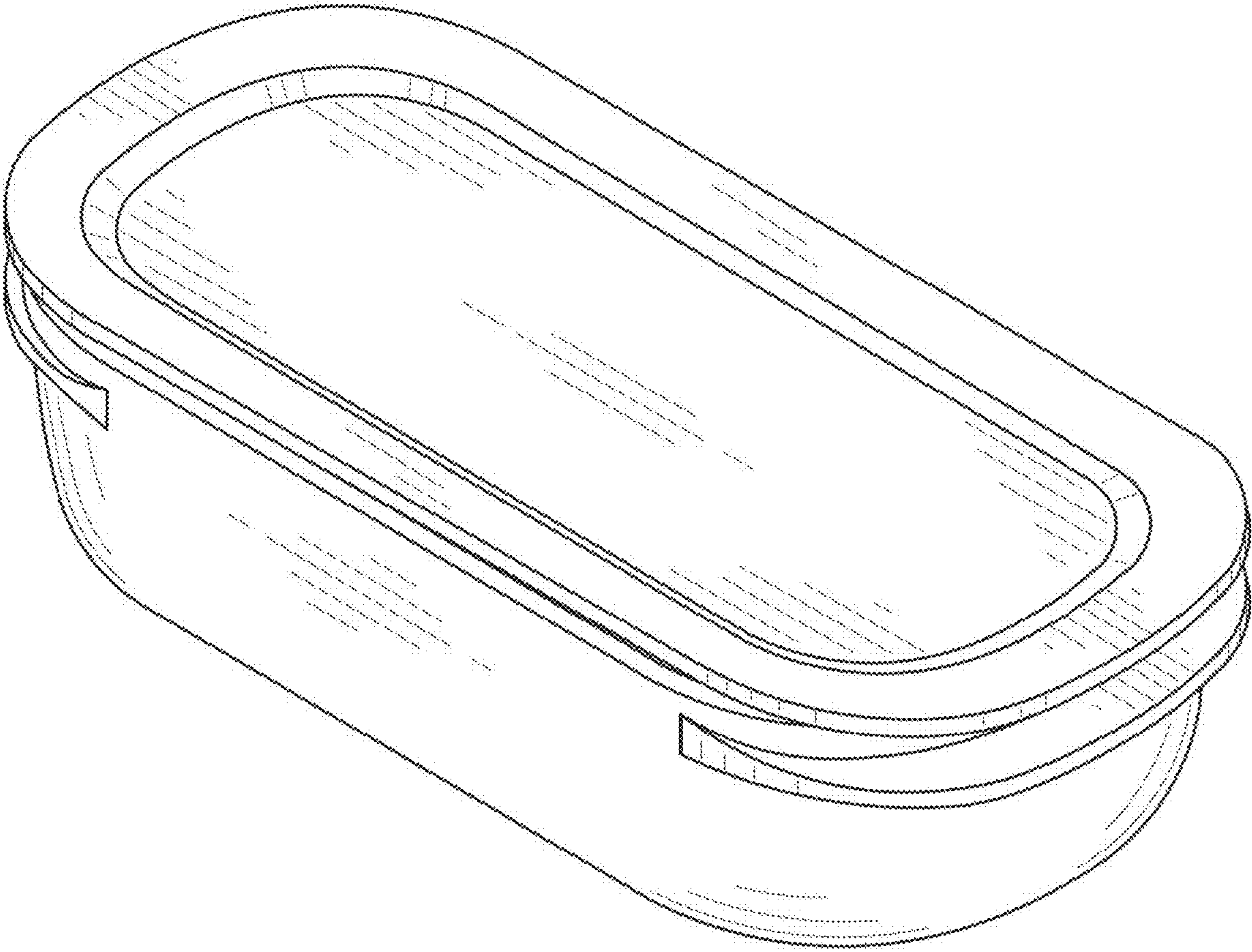


FIG. 7

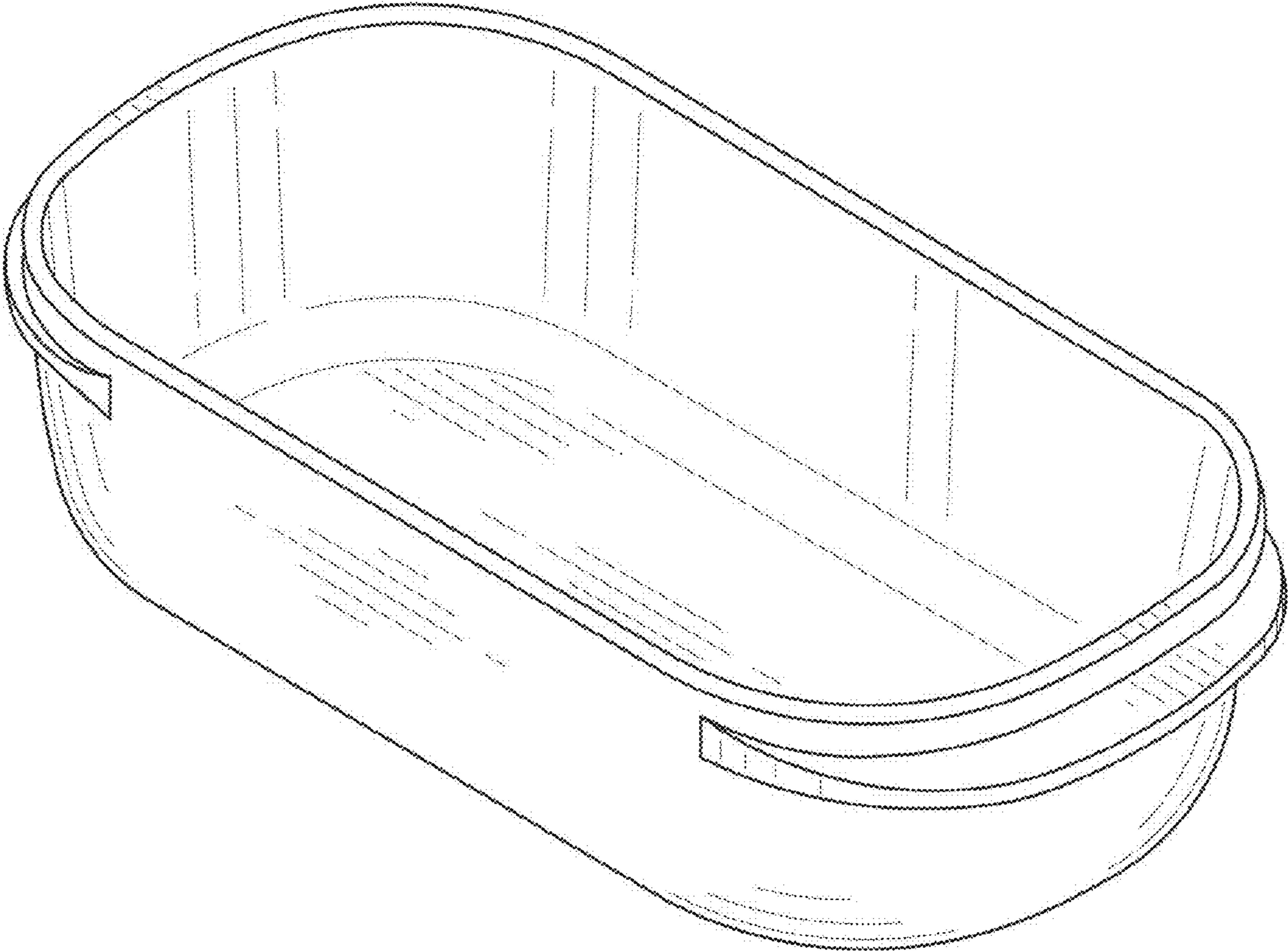


FIG. 8



FIG. 9

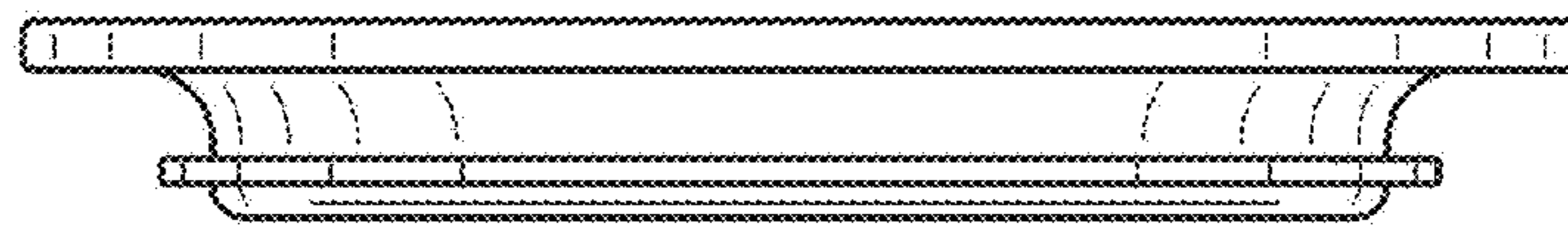


FIG. 10

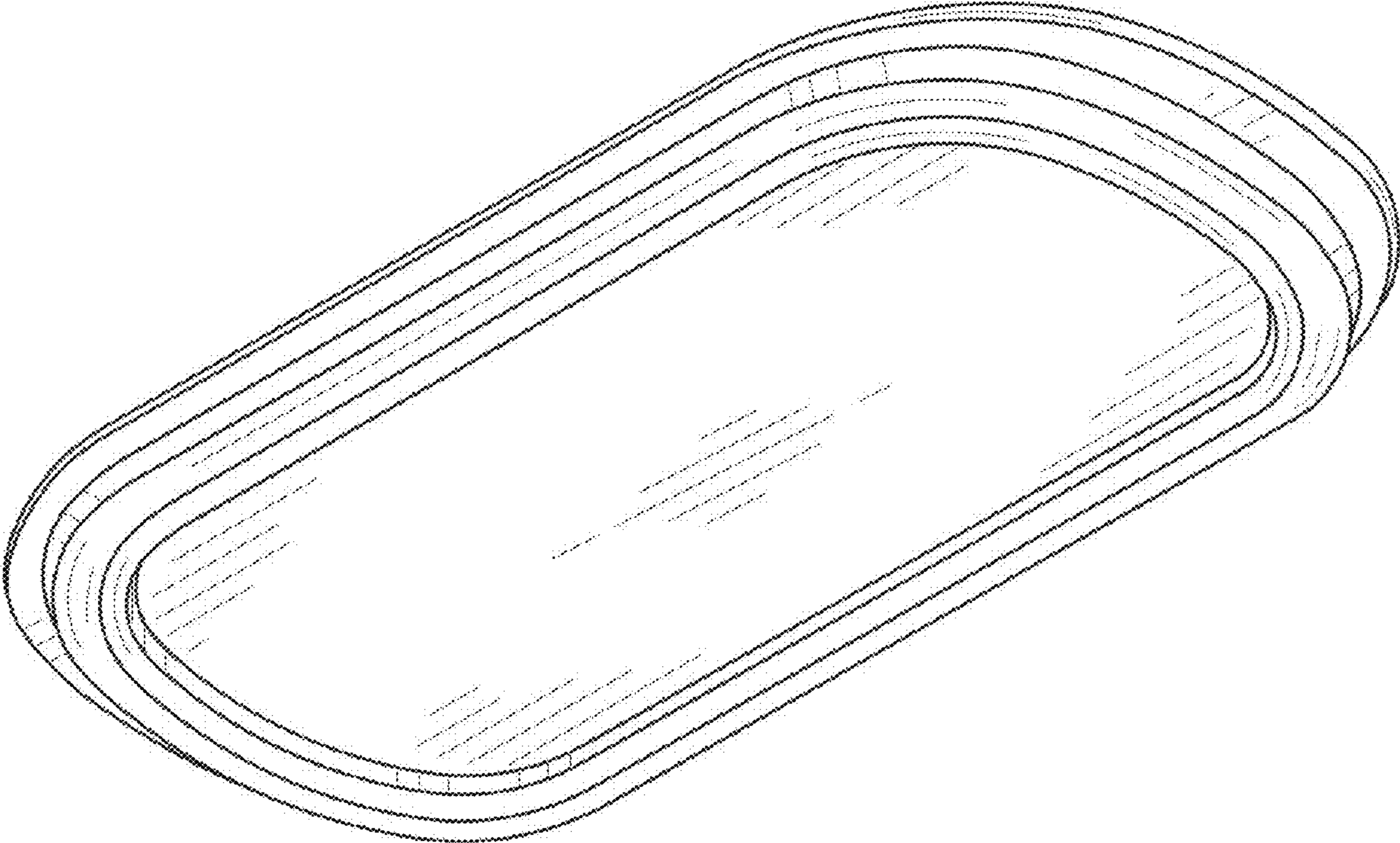


FIG. 11

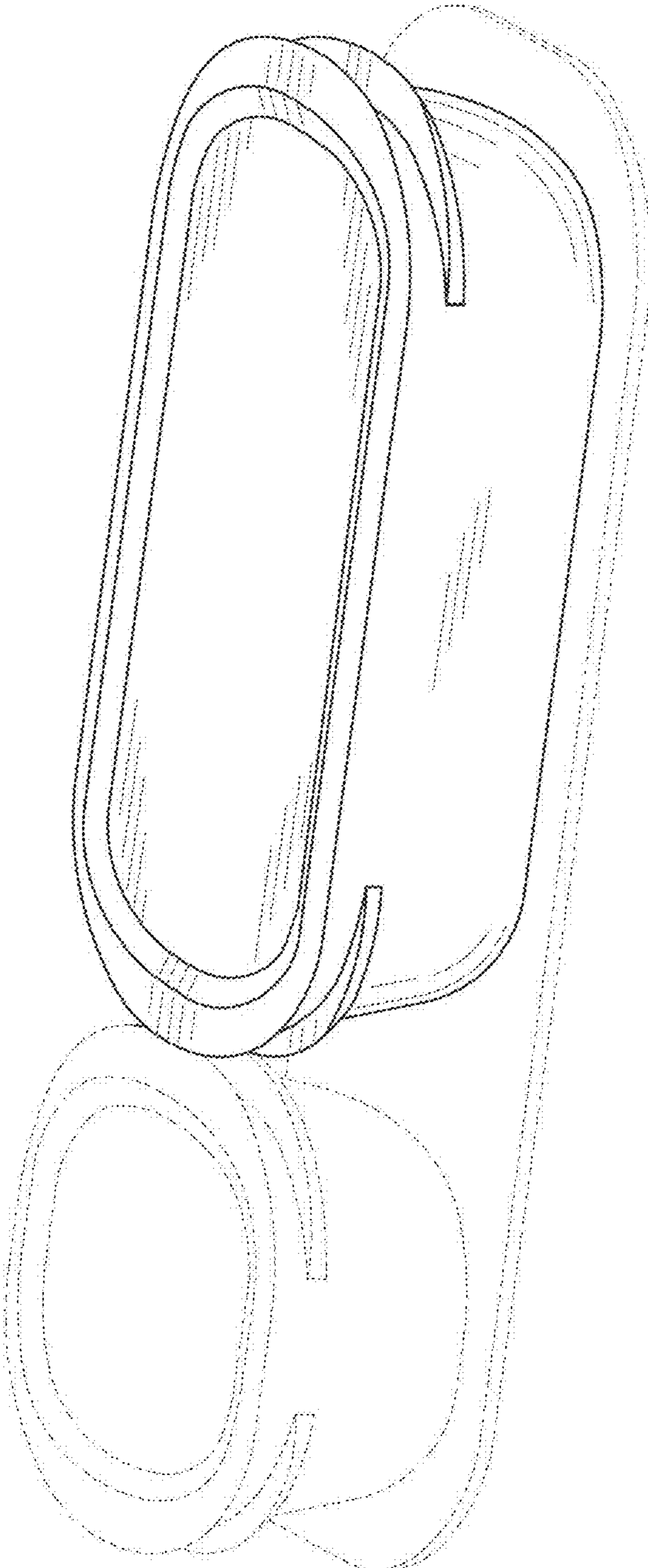


FIG. 12