



US00D962716S

(12) **United States Design Patent**  
**Bowen et al.**

(10) **Patent No.:** **US D962,716 S**

(45) **Date of Patent:** **\*\* Sep. 6, 2022**

(54) **BEVERAGE CONTAINER CARRIER**

(71) Applicant: **BevMate, LLC**, Tifton, GA (US)

(72) Inventors: **William D. Bowen**, Enigma, GA (US);  
**Michael C. Bowen**, Tifton, GA (US);  
**John W. Bowen**, Tifton, GA (US)

(73) Assignee: **BevMate, LLC**, Tifton, GA (US)

(\*\*) Term: **15 Years**

(21) Appl. No.: **29/750,298**

(22) Filed: **Sep. 11, 2020**

(51) **LOC (13) Cl.** ..... **07-09**

(52) **U.S. Cl.**  
USPC ..... **D7/602**; D7/529

(58) **Field of Classification Search**  
USPC ..... D7/213, 601-602, 605, 607-608, 619.1,  
D7/622, 624.1-624.2; D9/688, 692, 738;  
D3/201-202, 304  
CPC ..... A47G 23/02; A47G 2023/0291; A47G  
23/0216; B65D 81/38; B65D 2313/04;  
B65D 25/101; B65D 25/20

See application file for complete search history.

(56) **References Cited**

**U.S. PATENT DOCUMENTS**

D210,307 S *	2/1968	Branscum	.....	D7/313
4,671,424 A *	6/1987	Byrns	.....	B65D 81/3886 220/592.16
D307,693 S *	5/1990	Rezman	.....	D7/608
D307,850 S *	5/1990	Aoki	.....	D7/624.2
D332,896 S *	2/1993	Hoelterscheidt	.....	D7/622
D442,029 S *	5/2001	Otake	.....	D7/510
D452,415 S *	12/2001	McDonough	.....	D7/510
D455,612 S *	4/2002	Gullickson	.....	D7/619.1
D468,588 S *	1/2003	Norris	.....	D7/532
D475,577 S *	6/2003	Kung	.....	D7/533
D489,225 S *	5/2004	Leinenweber	.....	D7/510
D544,311 S *	6/2007	Goto	.....	D7/608
D553,504 S *	10/2007	Goto	.....	D9/556

D553,908 S *	10/2007	Bonini	.....	D7/532
D556,579 S *	12/2007	Goto	.....	D9/556
D562,075 S *	2/2008	Mehta	.....	D7/529

(Continued)

**FOREIGN PATENT DOCUMENTS**

KR	300716741.0000	*	11/2013
KR	301089924.0000	*	1/2021

**OTHER PUBLICATIONS**

Magnetic Support System to Accommodate Beverage Containers, BevMate, mybevmate.com, author and date unlisted © 2021 BevMate, LLC, online, site visited Nov. 22, 2021. Available at URL: <https://www.mybevmate.com/> (Year: 2021).\*

(Continued)

*Primary Examiner* — Holly E Thurman

*Assistant Examiner* — Altaira J Swangin

(74) *Attorney, Agent, or Firm* — H. Brock Kolls

(57) **CLAIM**

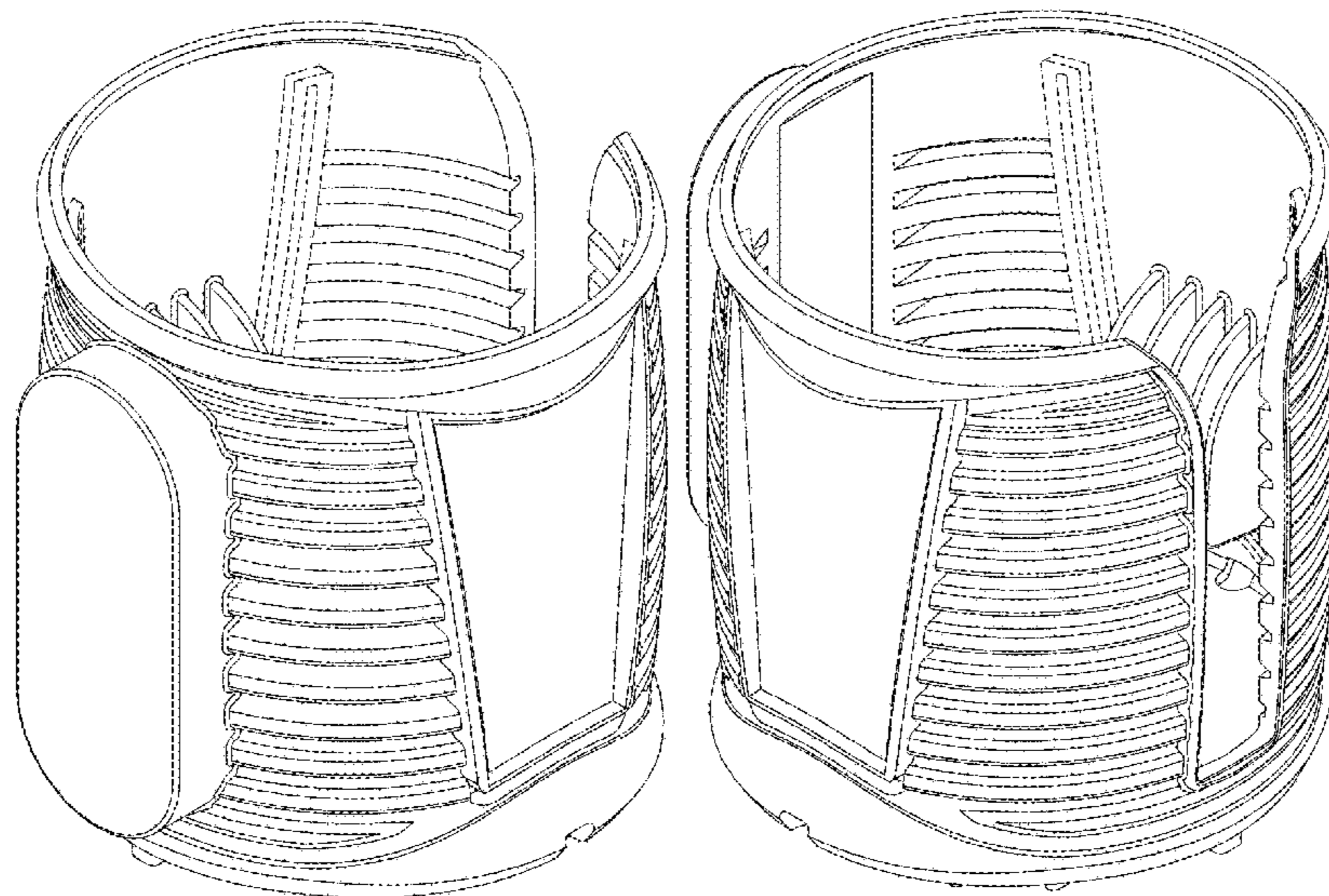
The ornamental design for a beverage container carrier, as shown and described.

**DESCRIPTION**

FIG. 1 is a top back left perspective view of a beverage container carrier in accordance with the present invention; FIG. 2 is a top front left perspective view thereof; FIG. 3 is a bottom front left perspective view thereof; FIG. 4 is a front view thereof; FIG. 5 is back view thereof; FIG. 6 is a right view thereof; FIG. 7 is a left view thereof; FIG. 8 is a top view thereof; and, FIG. 9 is a bottom view thereof.

The broken lines shown in drawings represent portions of the beverage container carrier that form no part of the claimed design.

**1 Claim, 9 Drawing Sheets**



(56)

References Cited

U.S. PATENT DOCUMENTS

D563,173 S \* 3/2008 Karam ..... D7/532  
 D567,026 S \* 4/2008 Karam ..... D7/532  
 D568,106 S \* 5/2008 Karam ..... D7/532  
 D569,190 S \* 5/2008 Karam ..... D7/532  
 D572,534 S \* 7/2008 Karam ..... D7/529  
 D572,977 S \* 7/2008 Karam ..... D7/532  
 D575,111 S \* 8/2008 Karam ..... D7/532  
 D613,561 S \* 4/2010 Burgess ..... D7/608  
 D613,562 S \* 4/2010 Burgess ..... D7/608  
 D613,563 S \* 4/2010 Burgess ..... D7/608  
 D643,669 S \* 8/2011 Burgess ..... D7/313  
 D661,544 S \* 6/2012 Enghard ..... D7/397  
 D689,333 S \* 9/2013 Karam ..... D7/529  
 D703,009 S \* 4/2014 Wampold ..... D7/606  
 D775,901 S \* 1/2017 Lee ..... D7/603  
 D779,885 S \* 2/2017 Crowder ..... D9/557  
 D805,355 S \* 12/2017 Steel ..... D7/532  
 D826,652 S \* 8/2018 Tyra ..... D7/624.2  
 D860,720 S \* 9/2019 Gallagher ..... D7/397  
 D899,864 S \* 10/2020 Balik ..... D7/601  
 D908,437 S \* 1/2021 Alanis ..... D7/587  
 D923,412 S \* 6/2021 McCabe ..... D7/536  
 D925,995 S \* 7/2021 Wang ..... D7/624.2  
 D950,319 S \* 5/2022 Huckestein ..... D7/529

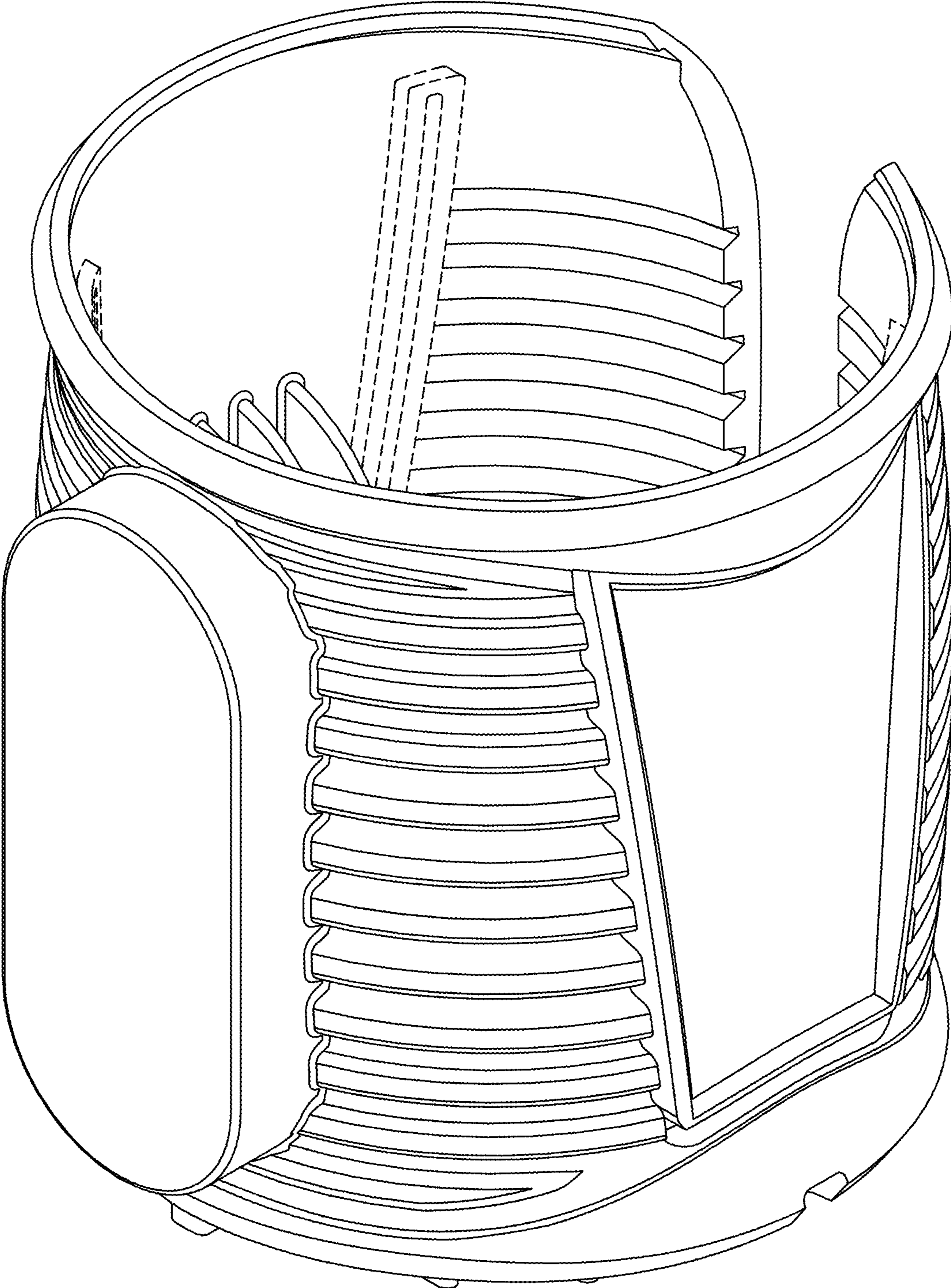
D950,694 S \* 5/2022 Tang ..... D23/356  
 2004/0134944 A1 \* 7/2004 Dominguez ..... A45F 3/16  
 224/269  
 2014/0175105 A1 \* 6/2014 Martin ..... B65D 81/3876  
 220/739  
 2015/0021346 A1 \* 1/2015 Cappuccio ..... A45F 5/00  
 220/735  
 2019/0122586 A1 \* 4/2019 Cao ..... A61J 9/08  
 2019/0263564 A1 \* 8/2019 Robertaccio ..... B65D 25/10  
 2021/0053743 A1 \* 2/2021 Briggs ..... B65D 43/0231  
 2021/0289967 A1 \* 9/2021 Merritt ..... A47G 23/0266

OTHER PUBLICATIONS

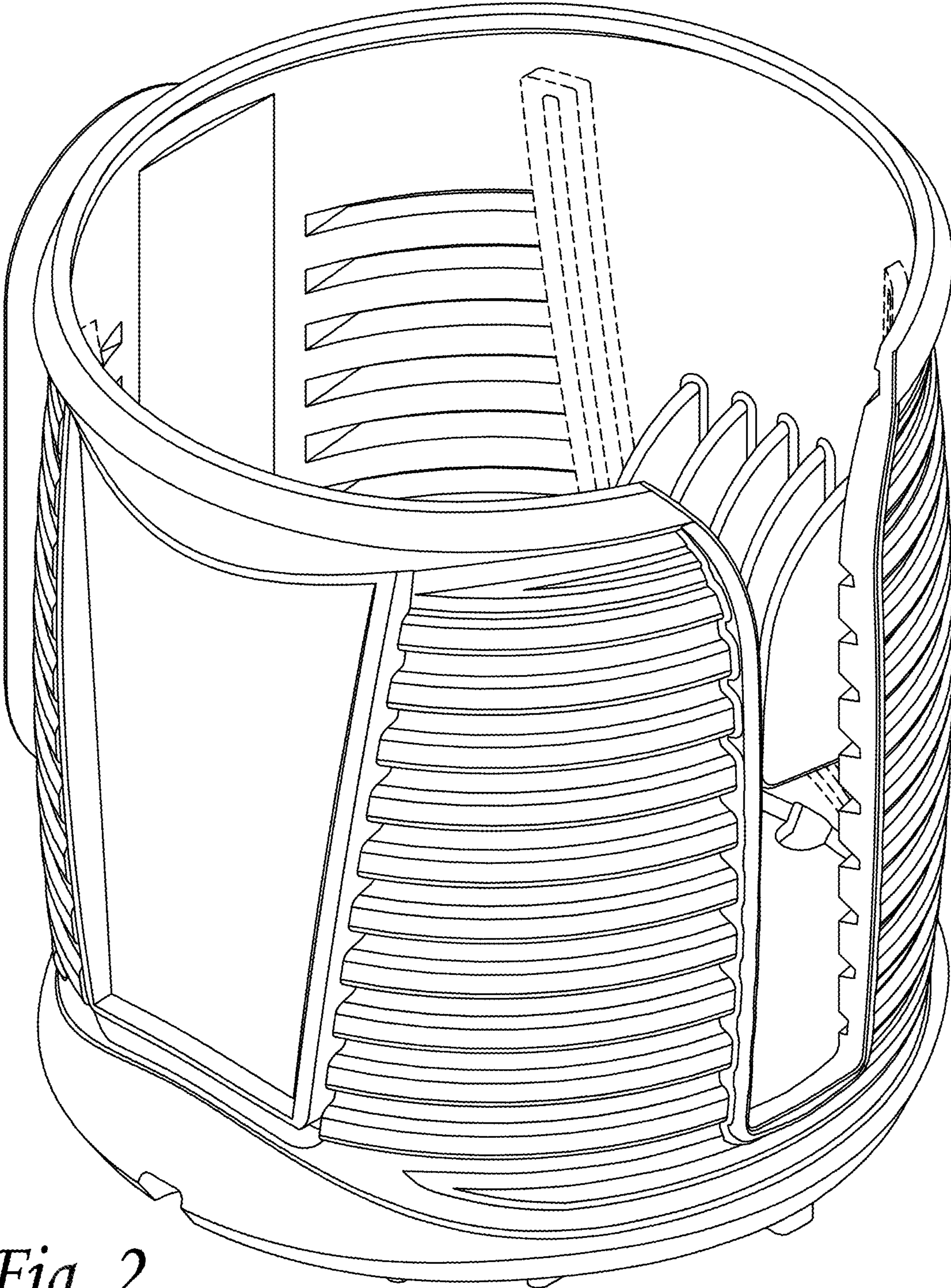
2.0 Magnetic Cup Holder, BevMate, amazon.com, published by BevMate, first available Feb. 16, 2021 © 1996-2021 Amazon.com, Inc., online, site visited Nov. 22, 2021. Available at URL: [https://www.amazon.com/dp/B08WR4ZHXX?ref=myi\\_title\\_dp](https://www.amazon.com/dp/B08WR4ZHXX?ref=myi_title_dp) (Year: 2021).  
 APCHB Magnetic Cup/Can Holder, Sealey, amazon.com, published by Sealey, first available May 21, 2019 © 1996-2021 Amazon.com, Inc., online, site visited Nov. 22, 2021. Available at URL: <https://www.amazon.com/Sealey-APCHB-Magnetic-Cup-Holder/dp/B073PVJ86T> (Year: 2019).\*

\* cited by examiner



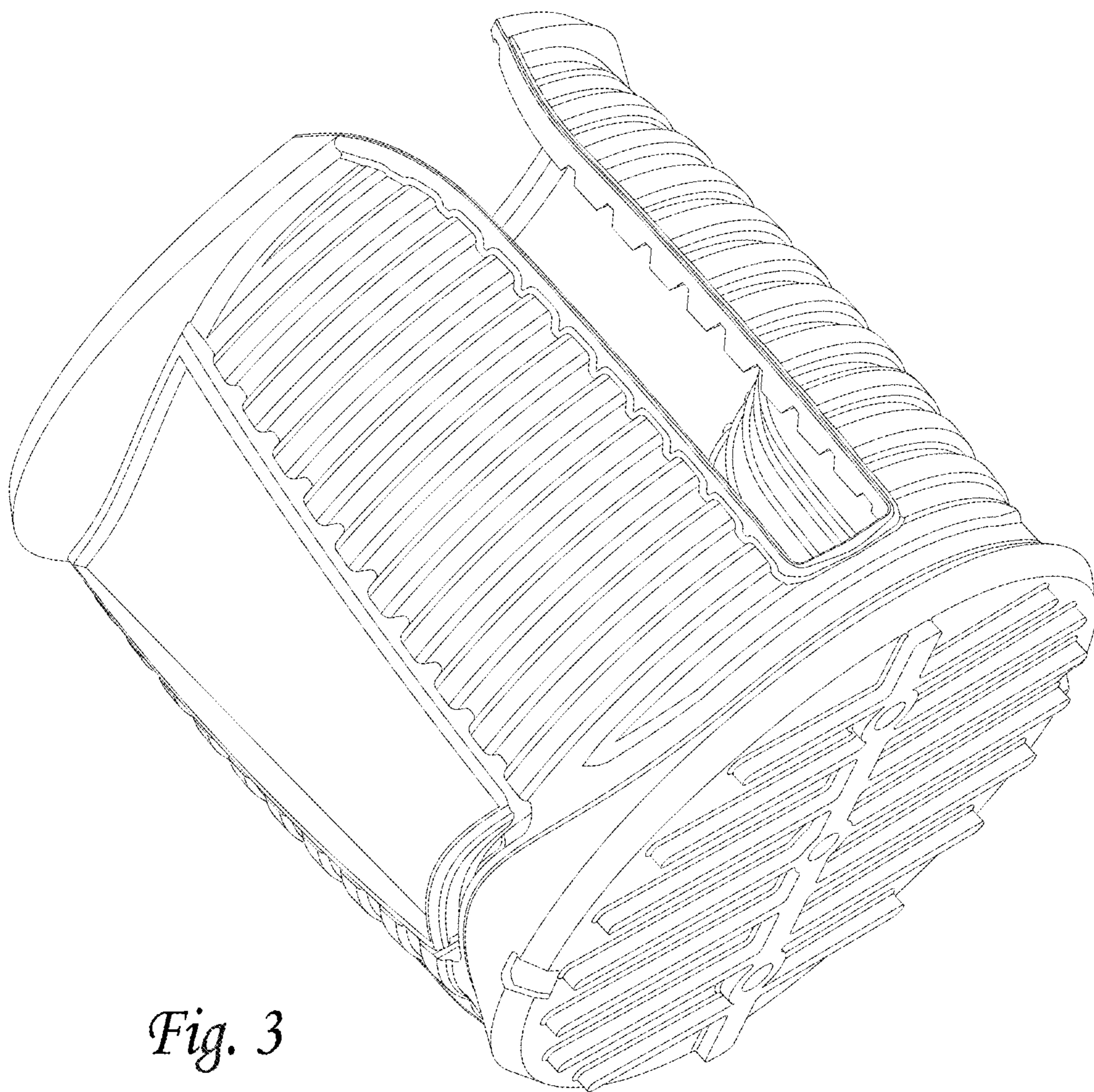


*Fig. 1*

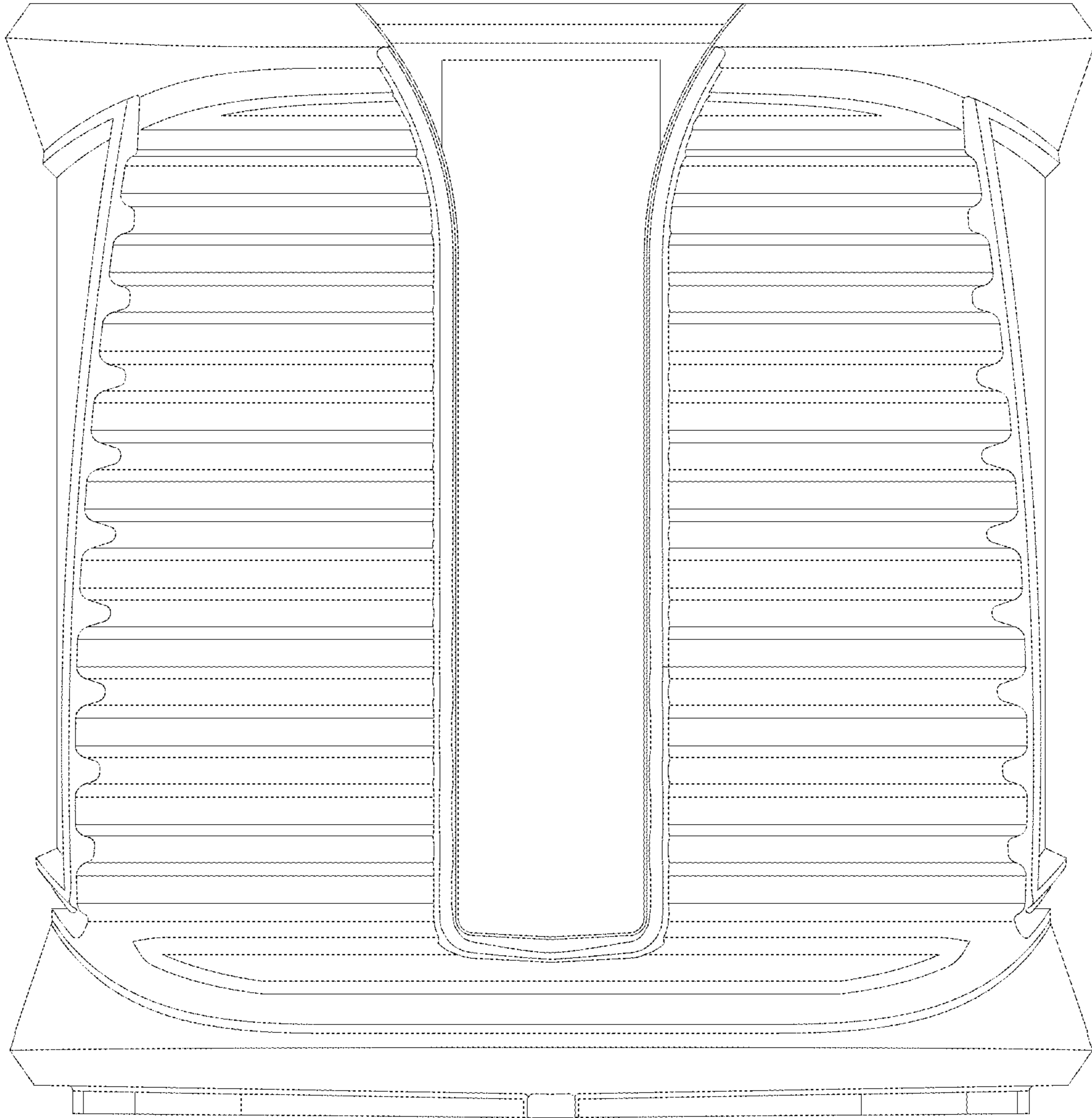


*Fig. 2*

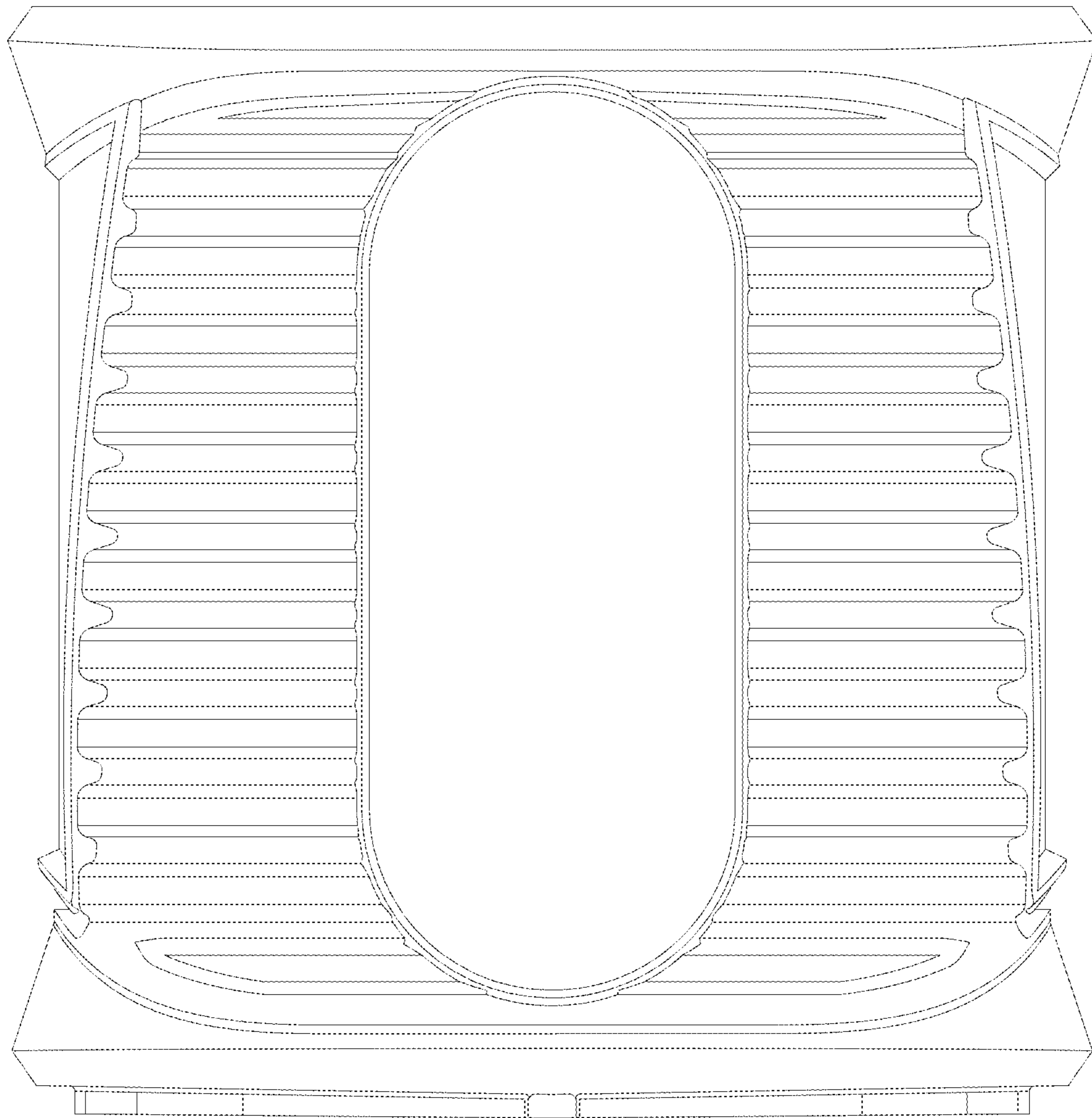




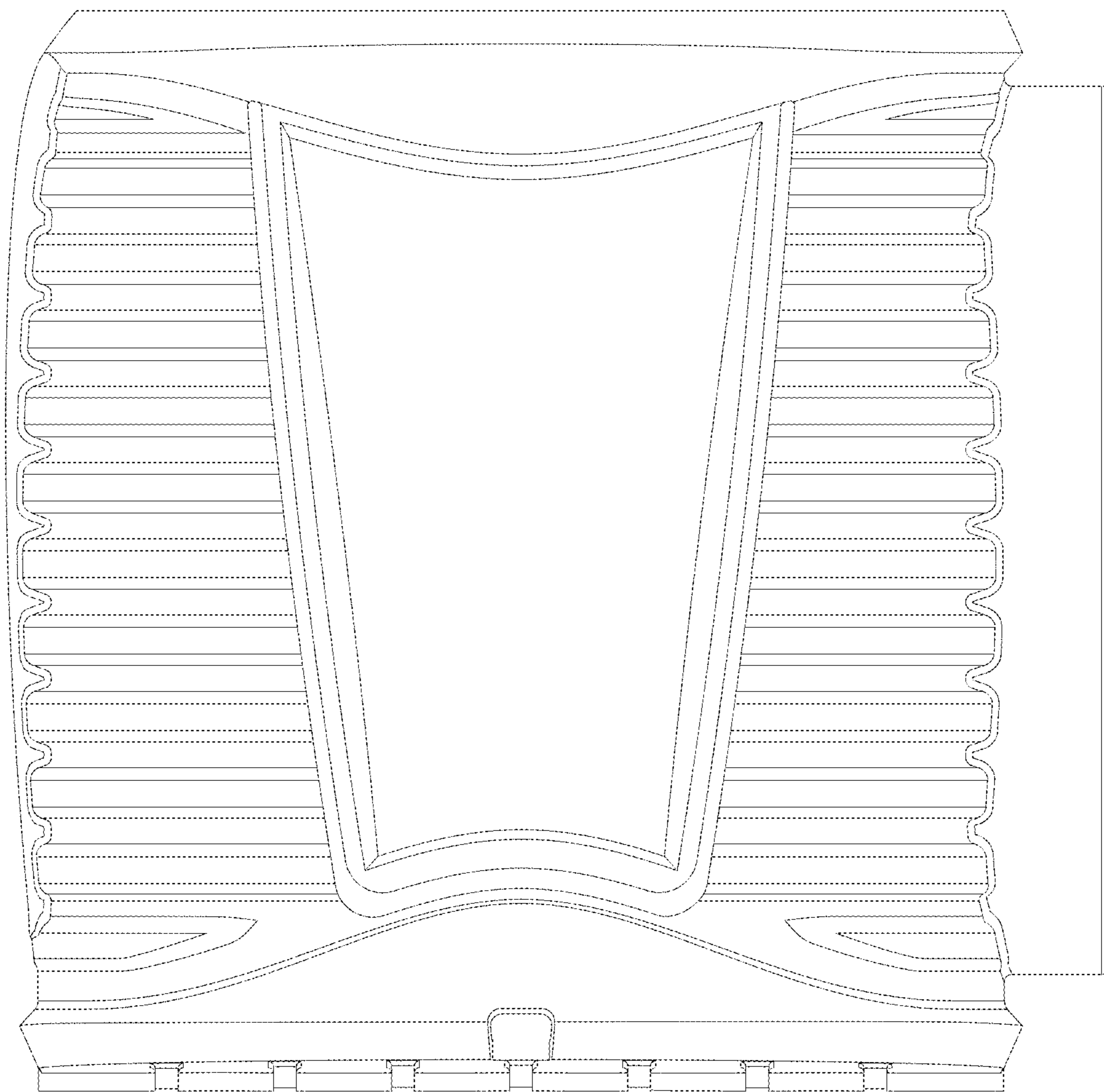
*Fig. 3*



*Fig. 4*

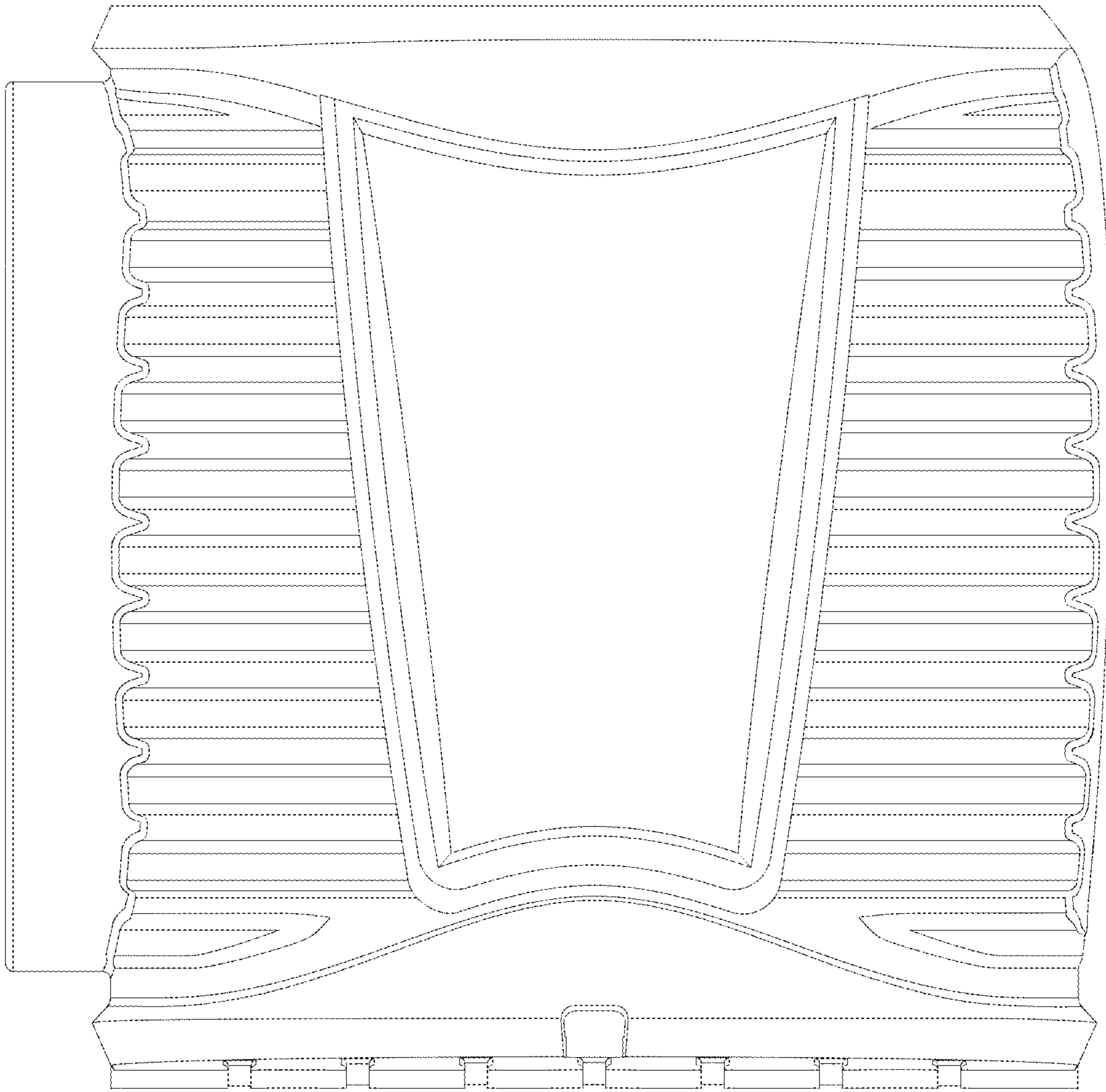


*Fig. 5*

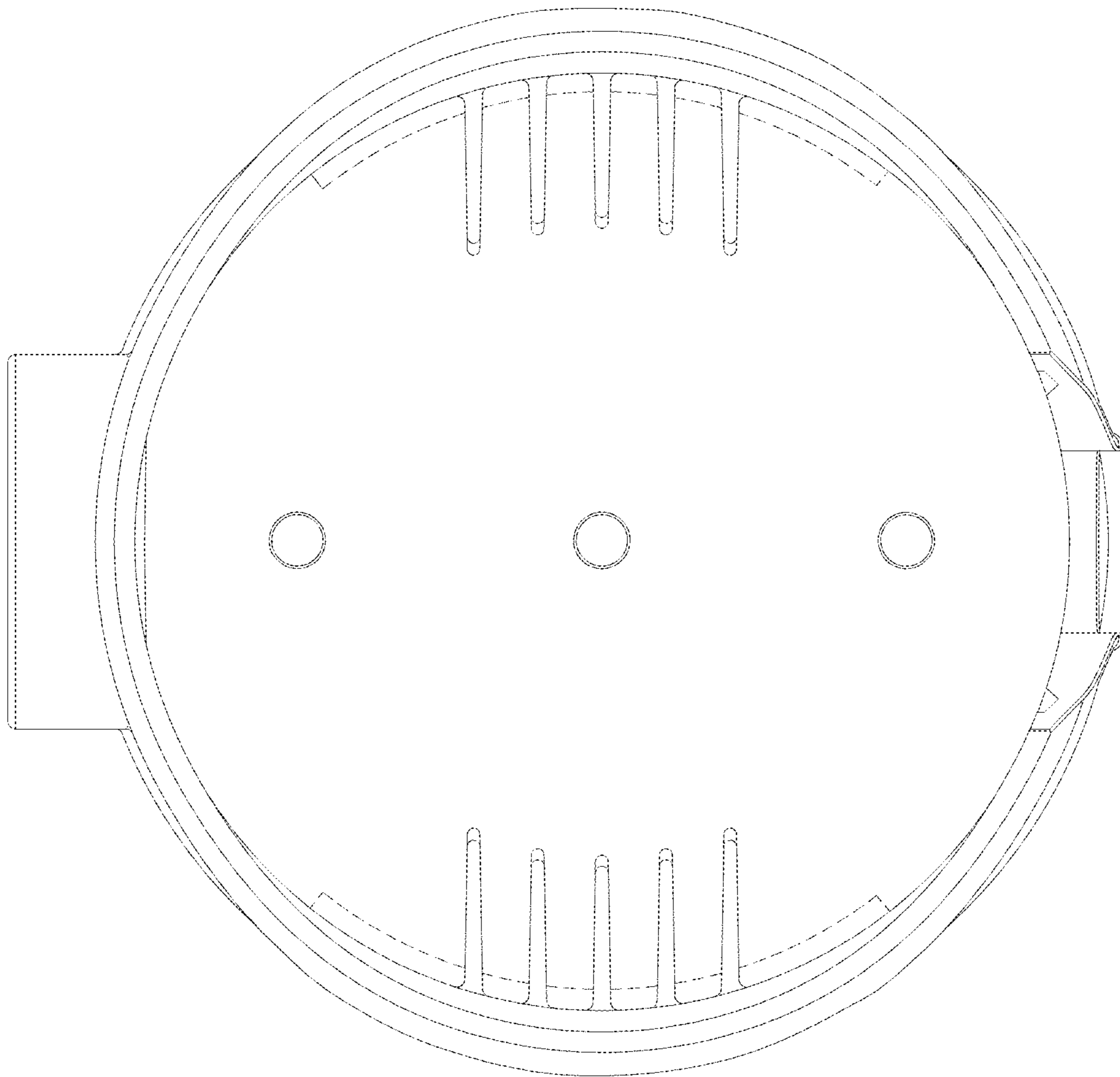


*Fig. 6*

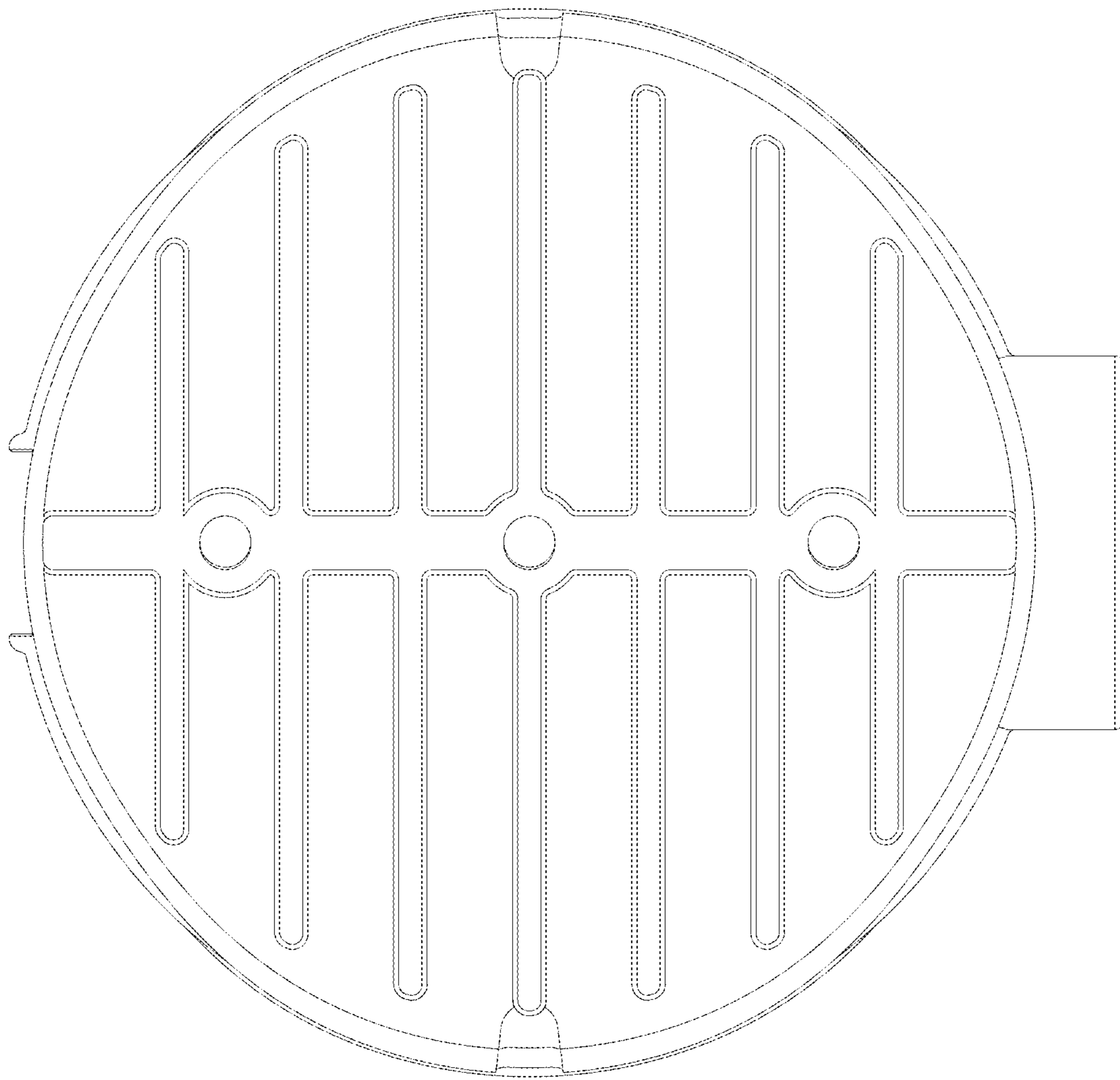




*Fig. 7*



*Fig. 8*



*Fig. 9*