

US00D962715S

(12) **United States Design Patent** (10) **Patent No.:** **US D962,715 S**
Lee et al. (45) **Date of Patent:** **** Sep. 6, 2022**

(54) **WINE RACK**

(71) Applicant: **LG ELECTRONICS INC.**, Seoul (KR)

(72) Inventors: **Bumsang Lee**, Seoul (KR); **Hyunju Ahn**, Seoul (KR); **Sesook Oh**, Seoul (KR)

(73) Assignee: **LG ELECTRONICS INC.**, Seoul (KR)

(**) Term: **15 Years**

(21) Appl. No.: **29/736,802**

(22) Filed: **Jun. 3, 2020**

(30) **Foreign Application Priority Data**

Dec. 4, 2019 (KR) 30-2019-0058512

(51) **LOC (13) Cl.** **07-07**

(52) **U.S. Cl.**
USPC **D7/601**

(58) **Field of Classification Search**
USPC D6/514, 515, 525, 566, 675.2, 675.5, D6/675, 678.4, 683.1, 710; D7/409, 590, D7/601, 602, 605, 619.1, 620, 672, 675.5, D7/678.4, 683, 704
CPC A47B 47/03; A47B 73/00; A47B 77/14; A47B 81/00; A47B 81/02; A47B 81/04; A47B 95/00; A47G 21/14; A47G 23/00; A47G 23/02; A47G 23/0241; A47G 29/08; A47J 45/00; A47J 45/02; A47J 47/00; A47J 47/021; A47J 47/16
See application file for complete search history.

(56) **References Cited**

U.S. PATENT DOCUMENTS

D391,122 S * 2/1998 Wu D6/678.4
D526,168 S * 8/2006 Goodman D7/704

D816,437 S * 5/2018 Kendall D7/701
D839,694 S * 2/2019 Pollard D7/701
D848,802 S * 5/2019 Kasza D7/701
D900,564 S * 11/2020 Katcher D7/701
2004/0104187 A1* 6/2004 McCain A47F 7/28
211/75
2013/0334155 A1* 12/2013 Kasza A47B 96/067
211/75
2017/0238705 A1* 8/2017 Fratilla A47B 96/1408
2019/0021492 A1* 1/2019 Sill A47B 73/00

(Continued)

Primary Examiner — Joseph Kukella

Assistant Examiner — Darryl J Dardenne

(74) *Attorney, Agent, or Firm* — Birch, Stewart, Kolasch & Birch, LLP

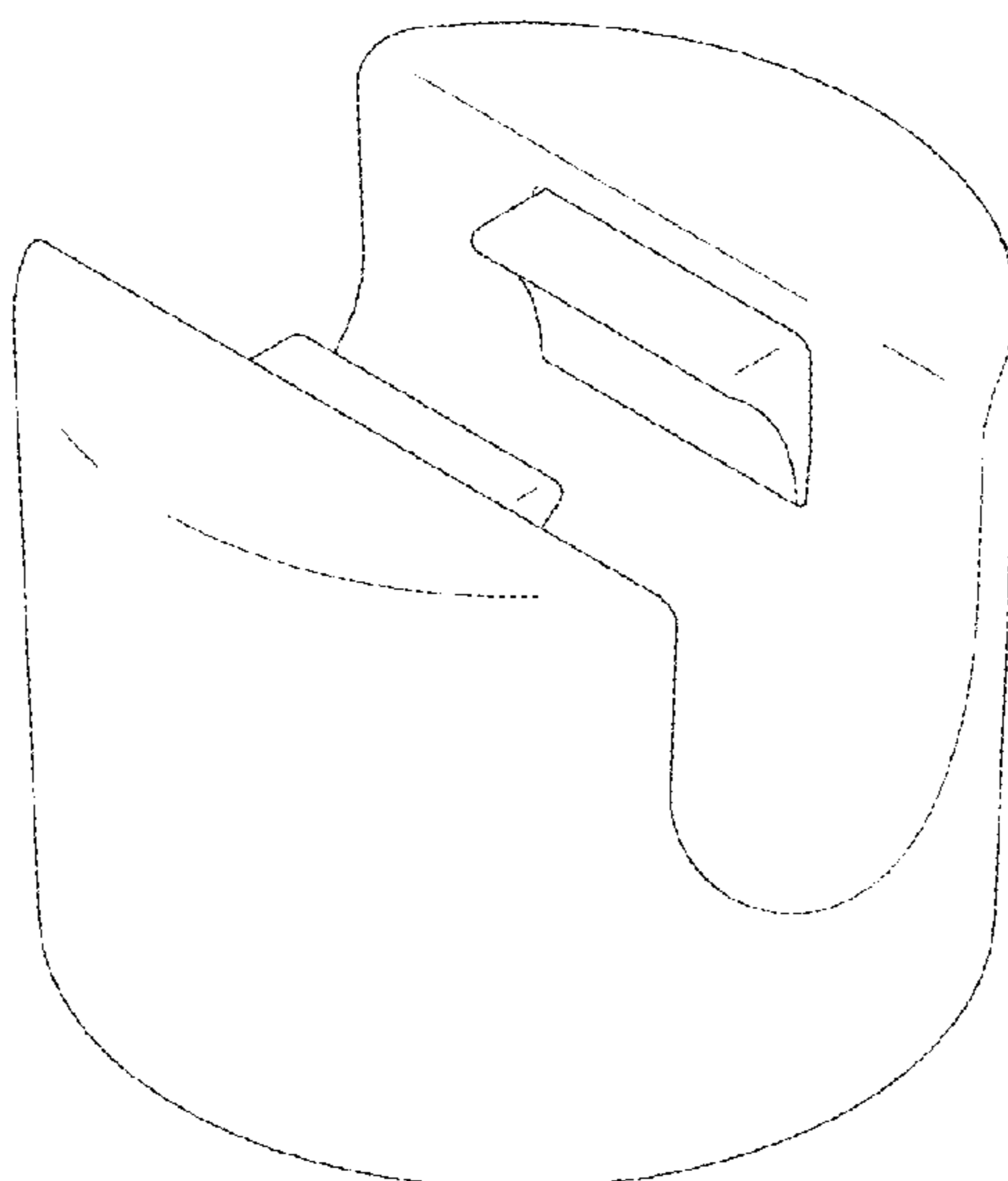
(57) **CLAIM**

The ornamental design for a wine rack, as shown and described.

DESCRIPTION

FIG. 1 is a front perspective view of the wine rack showing our new design;
FIG. 2 is a front view thereof where the rear view is a mirror image;
FIG. 3 is a left side view thereof where the right side view is a mirror image;
FIG. 4 is a top plan view thereof;
FIG. 5 is a bottom plan view thereof;
FIG. 6 is a reference view showing the state of use that a wine bottle has been stored at the center of the claimed design; and,
FIG. 7 is a reference view showing the state of use that the claimed design has been attached to the built-in wine chiller and then the wine bottle has been stored at the center of the claimed design.
The portions of FIGS. 6 and 7 drawn in broken lines show environmental structure only and form no part of the claimed design.

1 Claim, 7 Drawing Sheets



(56)

References Cited

U.S. PATENT DOCUMENTS

2019/0365095 A1* 12/2019 Di Prima A47B 73/00
2021/0059408 A1* 3/2021 Deckebach A47B 96/061

* cited by examiner

FIG. 1

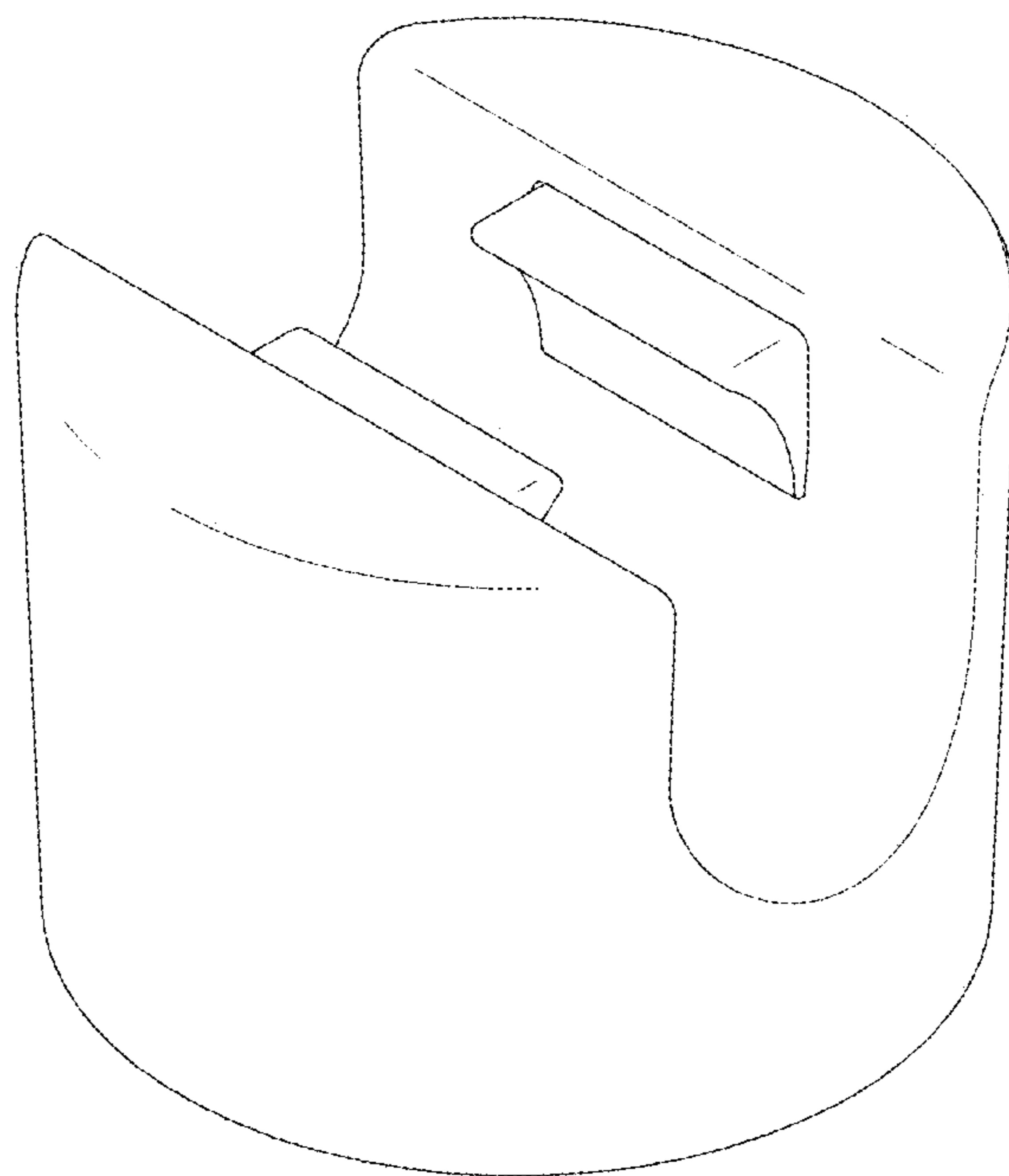


FIG. 2

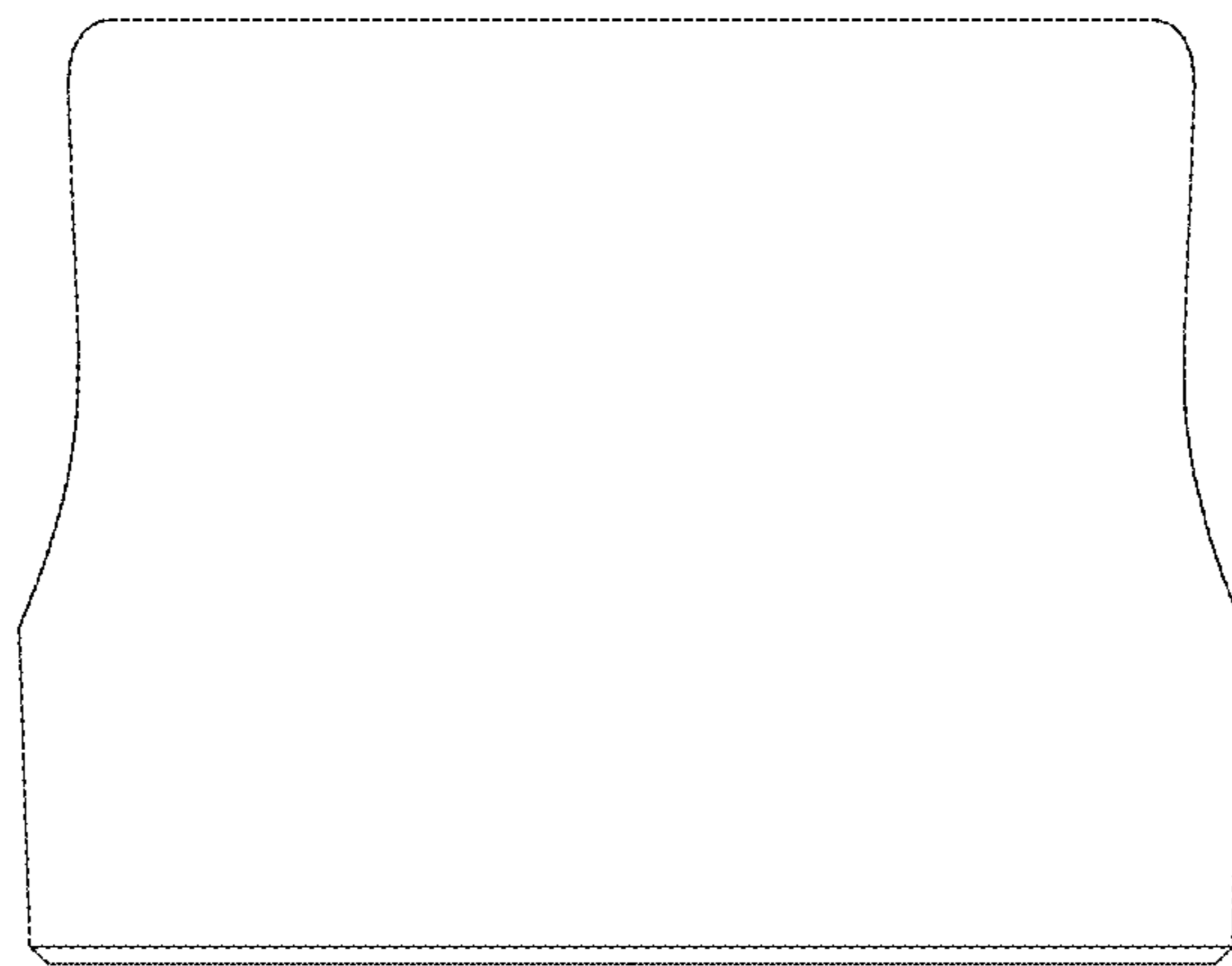


FIG. 3

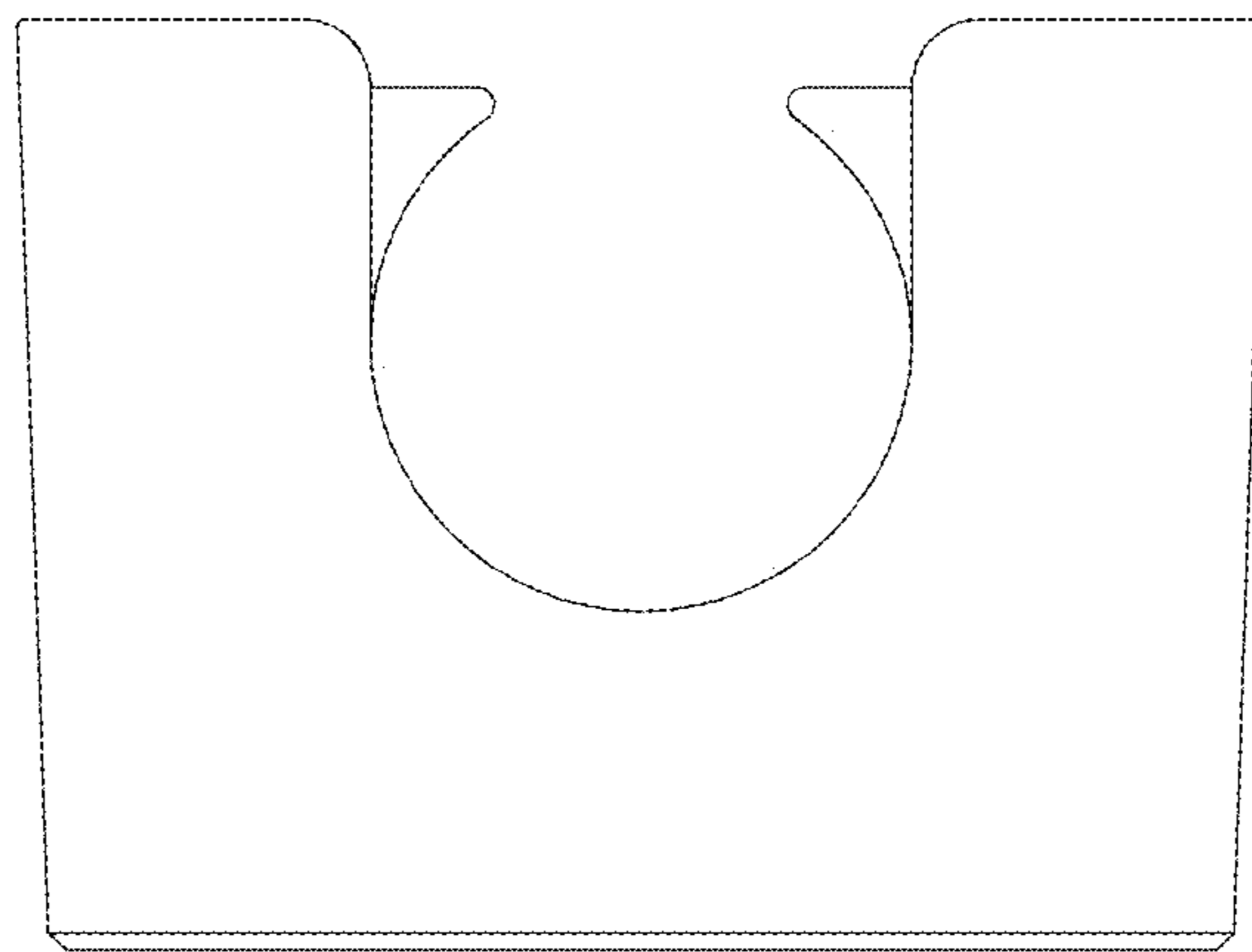


FIG. 4

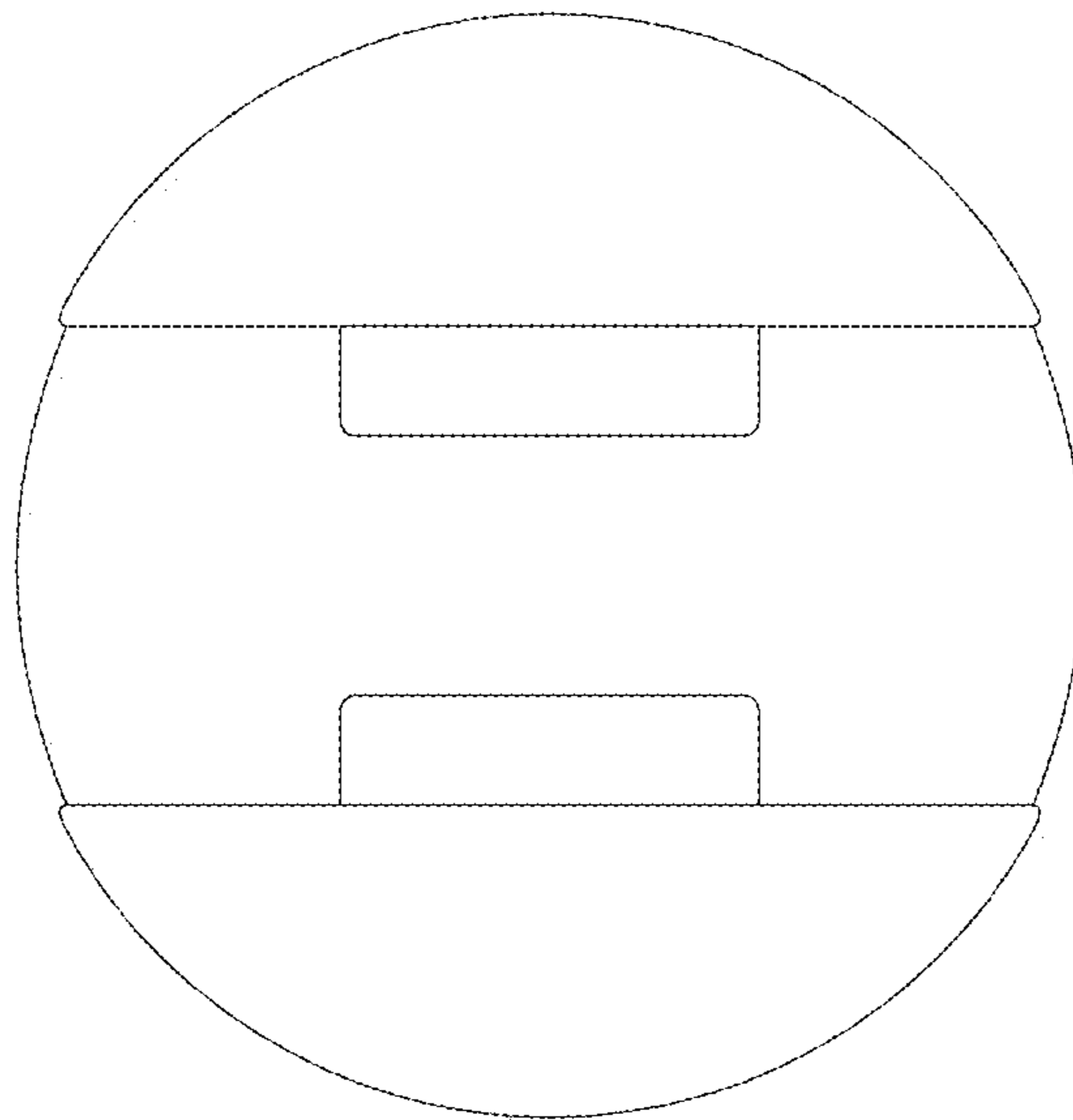


FIG. 5

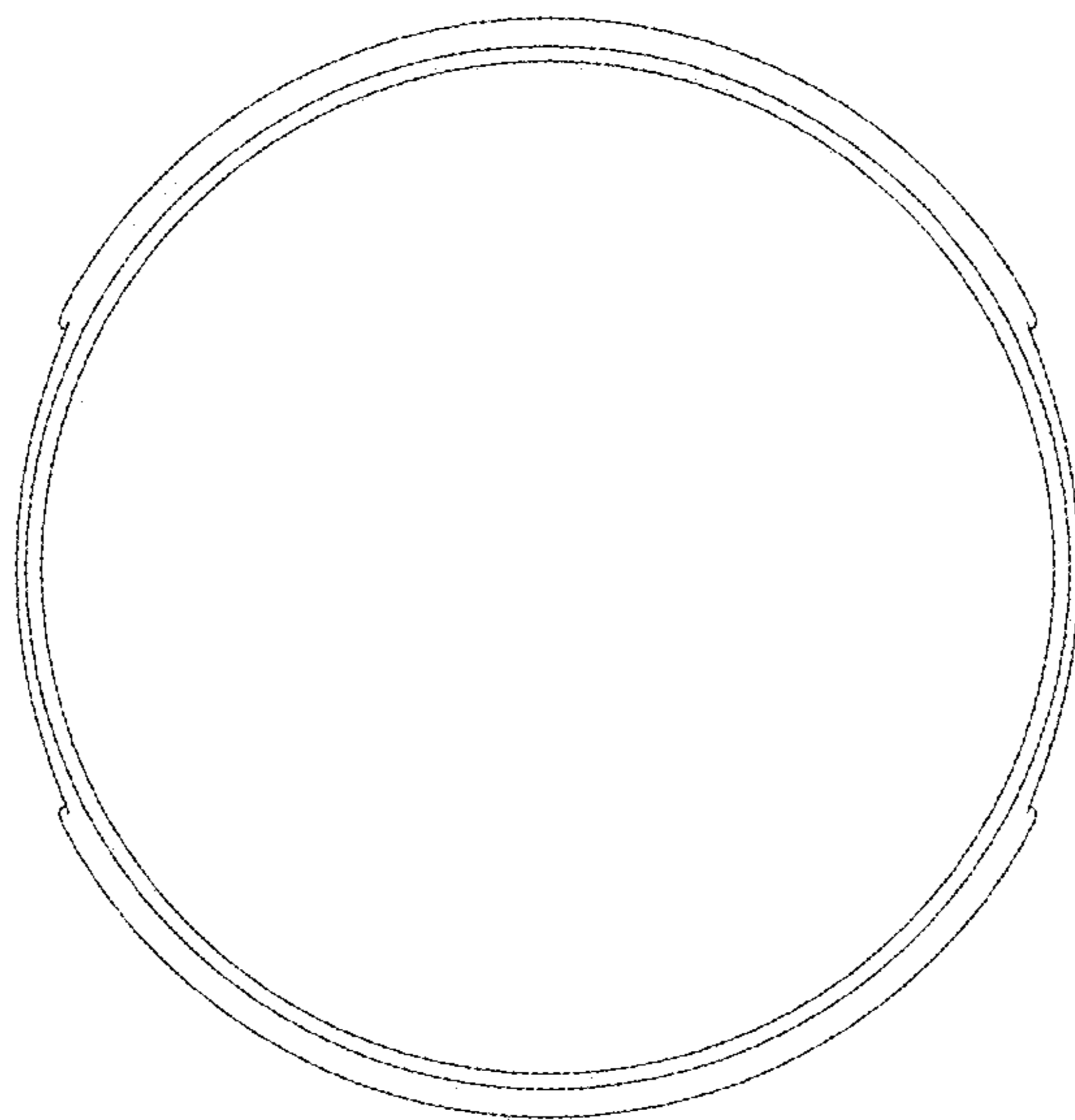


FIG. 6

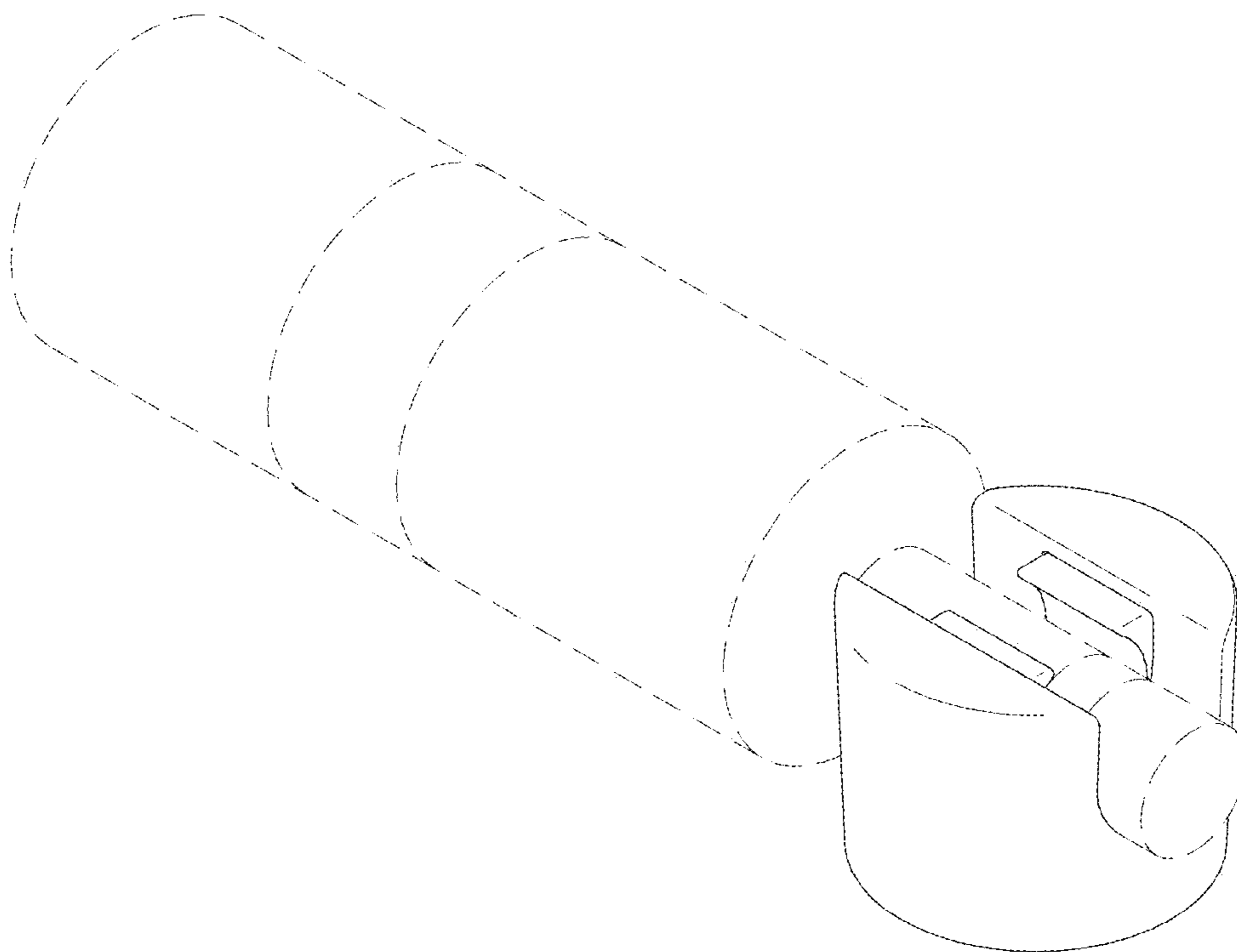


FIG. 7

