

US00D962714S

(12) **United States Design Patent** (10) **Patent No.:** **US D962,714 S**  
**Wadsworth et al.** (45) **Date of Patent:** **\*\* Sep. 6, 2022**

(54) **DISPENSER**

D155,276 S \* 9/1949 Eklund ..... D7/591  
D236,407 S \* 8/1975 Saipe ..... D7/589  
D264,594 S \* 5/1982 Lyons ..... D20/7

(Continued)

(71) Applicant: **Mars, Incorporated**, McLean, VA (US)

(72) Inventors: **Luke Wadsworth**, London (GB);  
**Thomas Frith**, Teddington (GB); **Ben Sillence**, London (GB); **Wiesje Heijmans**, Tilburg (NL)

FOREIGN PATENT DOCUMENTS

CA 74355 \* 6/1994  
EM 007552849-0001 \* 6/2021

(73) Assignee: **MARS, INCORPORATED**, McLean, VA (US)

OTHER PUBLICATIONS

(\*\*) Term: **15 Years**

3D printed Candy Dispenser, brand unlisted, hubs.com, published by user Domilassa on Jul. 1, 2015 © 2020 3D Hubs B.V., online, site visited Aug. 23, 2021. Available at URL: <https://www.hubs.com/talk/t/3d-printed-candy-dispenser/2157/2> (Year: 2015).\*

(21) Appl. No.: **29/743,841**

*Primary Examiner* — Sandra Snapp  
*Assistant Examiner* — Altaira J Swangin

(22) Filed: **Jul. 24, 2020**

(30) **Foreign Application Priority Data**

(57) **CLAIM**

Jan. 24, 2020 (EM) ..... 007552849

The ornamental design for a dispenser, as shown and described.

(51) **LOC (13) Cl.** ..... **07-07**

**DESCRIPTION**

(52) **U.S. Cl.**

USPC ..... **D7/589**

(58) **Field of Classification Search**

USPC ..... D28/66, 82, 85, 88; D7/300, 384, 401.1,  
D7/413-415, 428, 454, 589-590,  
D7/642.2-642.3; D9/428, 430, 454,  
D9/688-690, 695-696, 711, 723,  
D9/726-727, 768, 771, 777, 782  
CPC ..... B65D 83/0409; B65D 85/60; B65D  
2583/0477

See application file for complete search history.

FIG. 1 is an elevated perspective view of the dispenser of the present invention.

FIG. 2 is a front elevation view of the dispenser of the present invention.

FIG. 3 is a rear elevation view of the dispenser of the present invention.

FIG. 4 is a right side elevation view of the dispenser of the present invention.

FIG. 5 is a left side elevation view of the dispenser of the present invention.

FIG. 6 is a top plan view of the dispenser of the present invention; and,

FIG. 7 is a bottom plan view of the dispenser of the present invention.

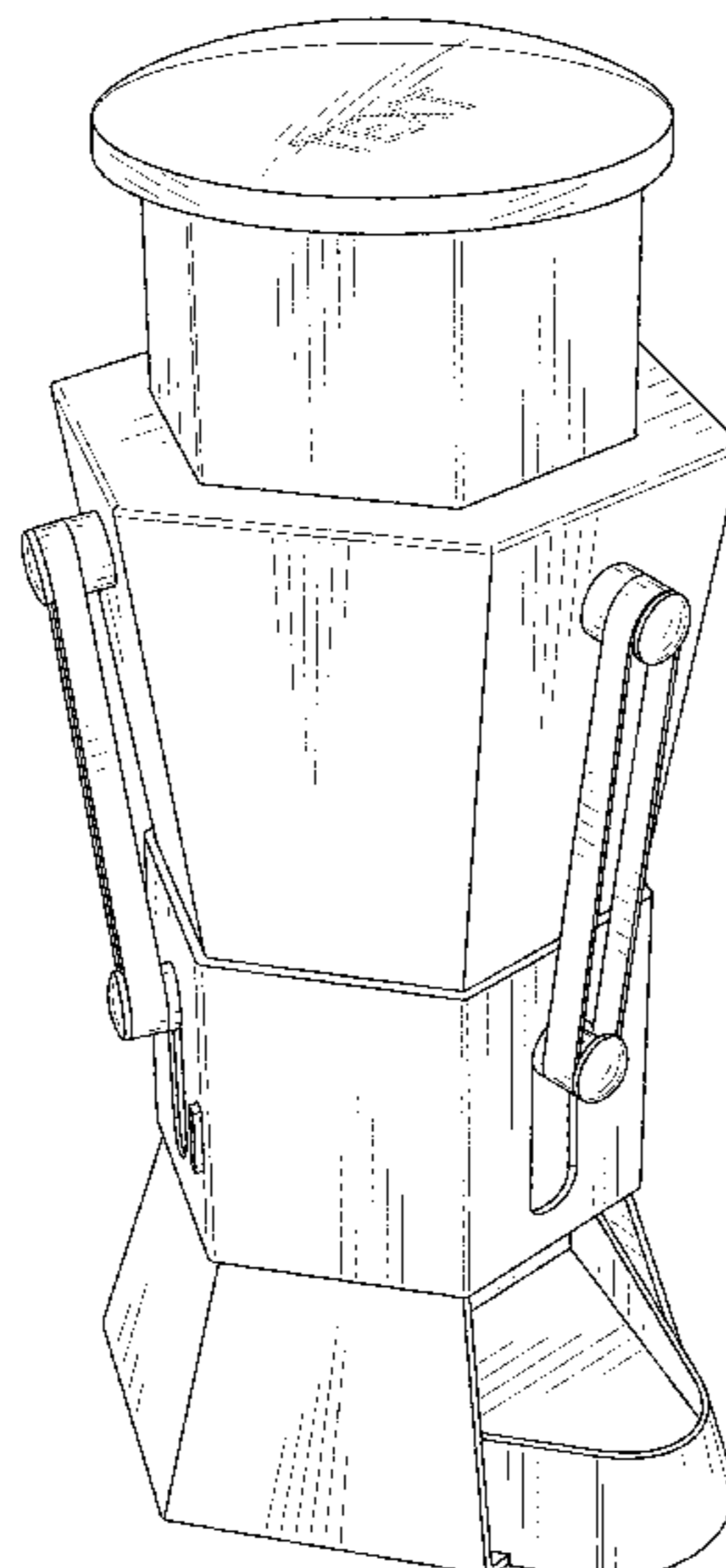
The broken lines shown in the drawings are included for the purpose of illustrating portions of the dispenser and form no part of the claimed design.

(56) **References Cited**

U.S. PATENT DOCUMENTS

1,450,279 A \* 4/1923 Chick ..... A47J 43/27  
D7/300.1  
D77,717 S \* 2/1929 Warrin ..... D7/300.1  
D83,106 S \* 1/1931 Ilgenfritz ..... D7/300

**1 Claim, 6 Drawing Sheets**



(56)

**References Cited**

U.S. PATENT DOCUMENTS

D298,520	S	*	11/1988	Pickering	.....	D11/146
D347,364	S	*	5/1994	van de Velde	.....	D7/608
D375,679	S	*	11/1996	Russell	.....	D20/7
D380,353	S	*	7/1997	Cohen	.....	D19/75
D415,244	S	*	10/1999	Adams	.....	D23/202
D438,112	S	*	2/2001	Keung	.....	D9/448
D607,340	S	*	1/2010	Klis	.....	D9/559
D612,289	S	*	3/2010	Donovan	.....	D11/146
D690,549	S	*	10/2013	Porraro	.....	D7/317
D695,064	S	*	12/2013	Seymour	.....	D7/399
D702,087	S	*	4/2014	Steel	.....	D7/300.1
D702,474	S	*	4/2014	Scherer	.....	D7/300.1
D702,503	S	*	4/2014	Steel	.....	D7/300.1
D779,888	S	*	2/2017	Baker	.....	D7/589
D785,408	S	*	5/2017	Muller	.....	D7/589
D811,804	S	*	3/2018	Smith	.....	D7/384
D812,963	S	*	3/2018	Smith	.....	D7/384
D857,461	S	*	8/2019	Korsmit	.....	D7/590
D880,308	S	*	4/2020	Reiss	.....	D9/711
D880,309	S	*	4/2020	Reiss	.....	D9/711
D886,357	S	*	6/2020	Gambrel	.....	D26/89
D896,038	S	*	9/2020	Gadd	.....	D7/589
D913,043	S	*	3/2021	Miley	.....	D7/589
2012/0294663	A1	*	11/2012	Papavero	.....	A47G 19/26 401/52

\* cited by examiner

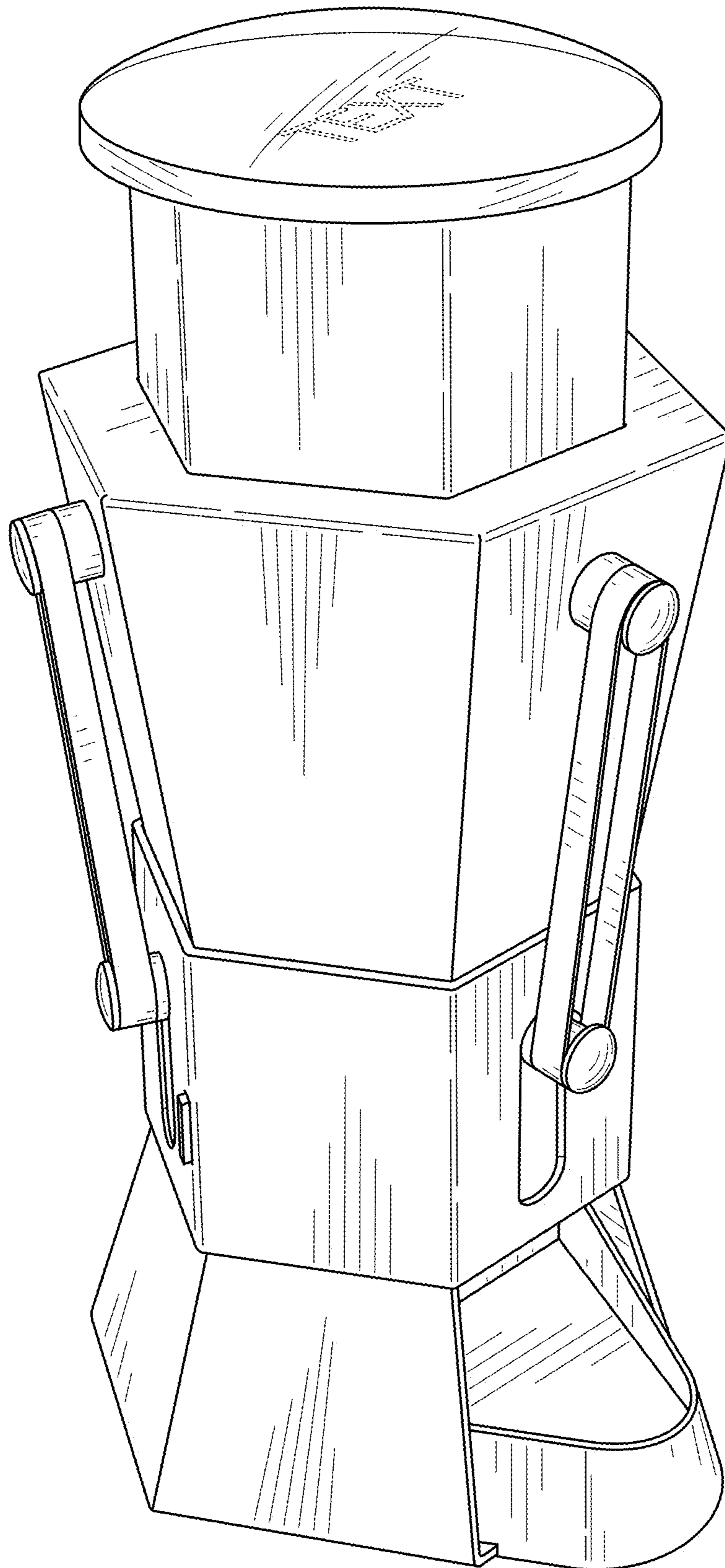


FIG. 1

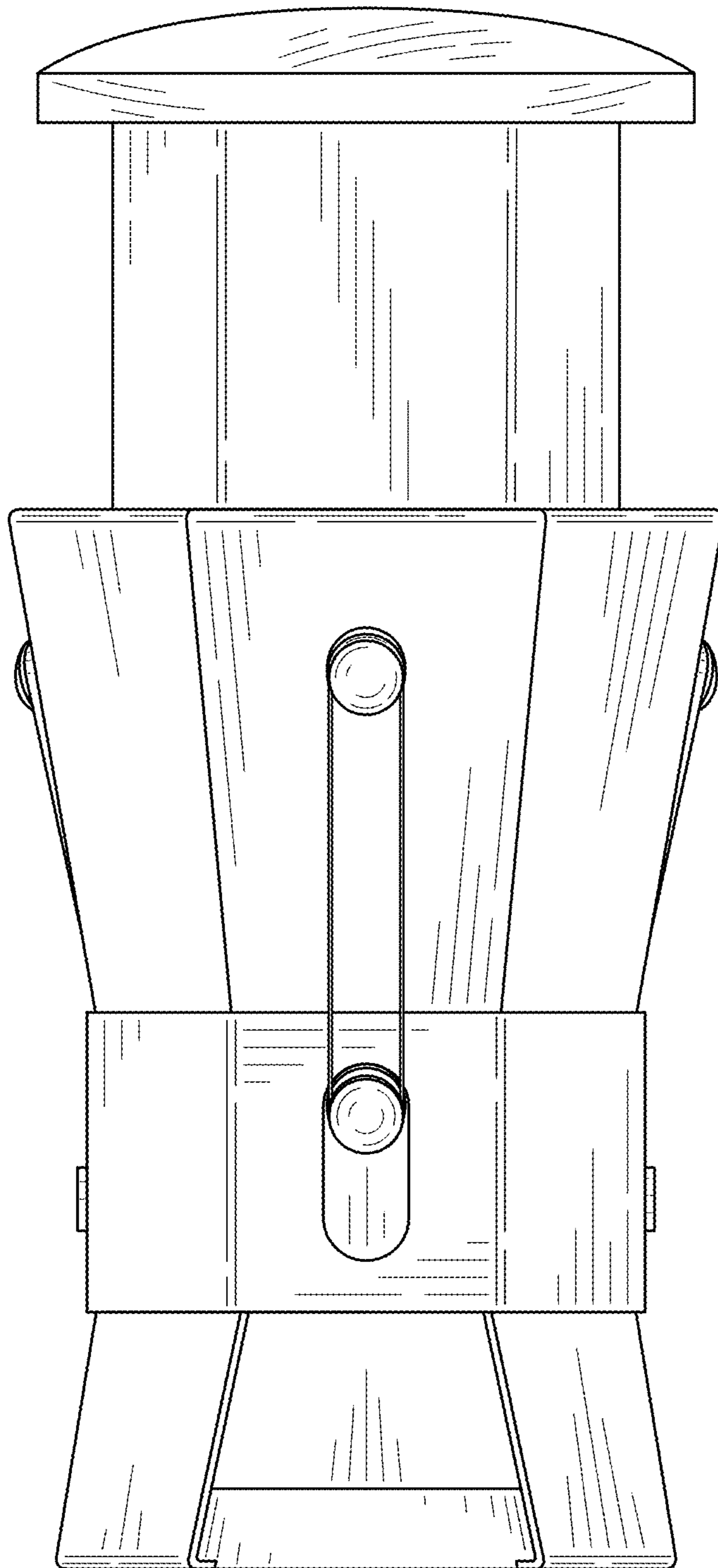


FIG. 2

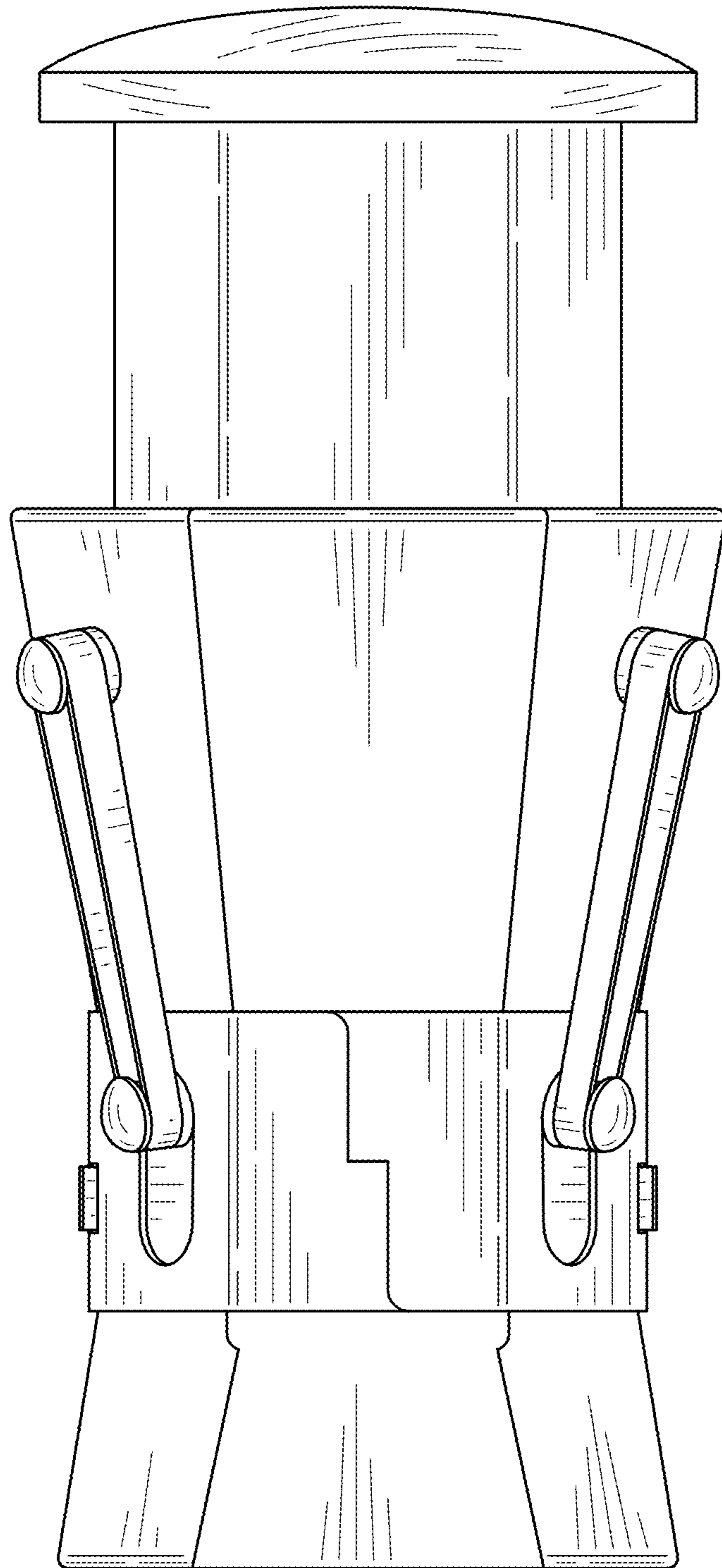


FIG. 3

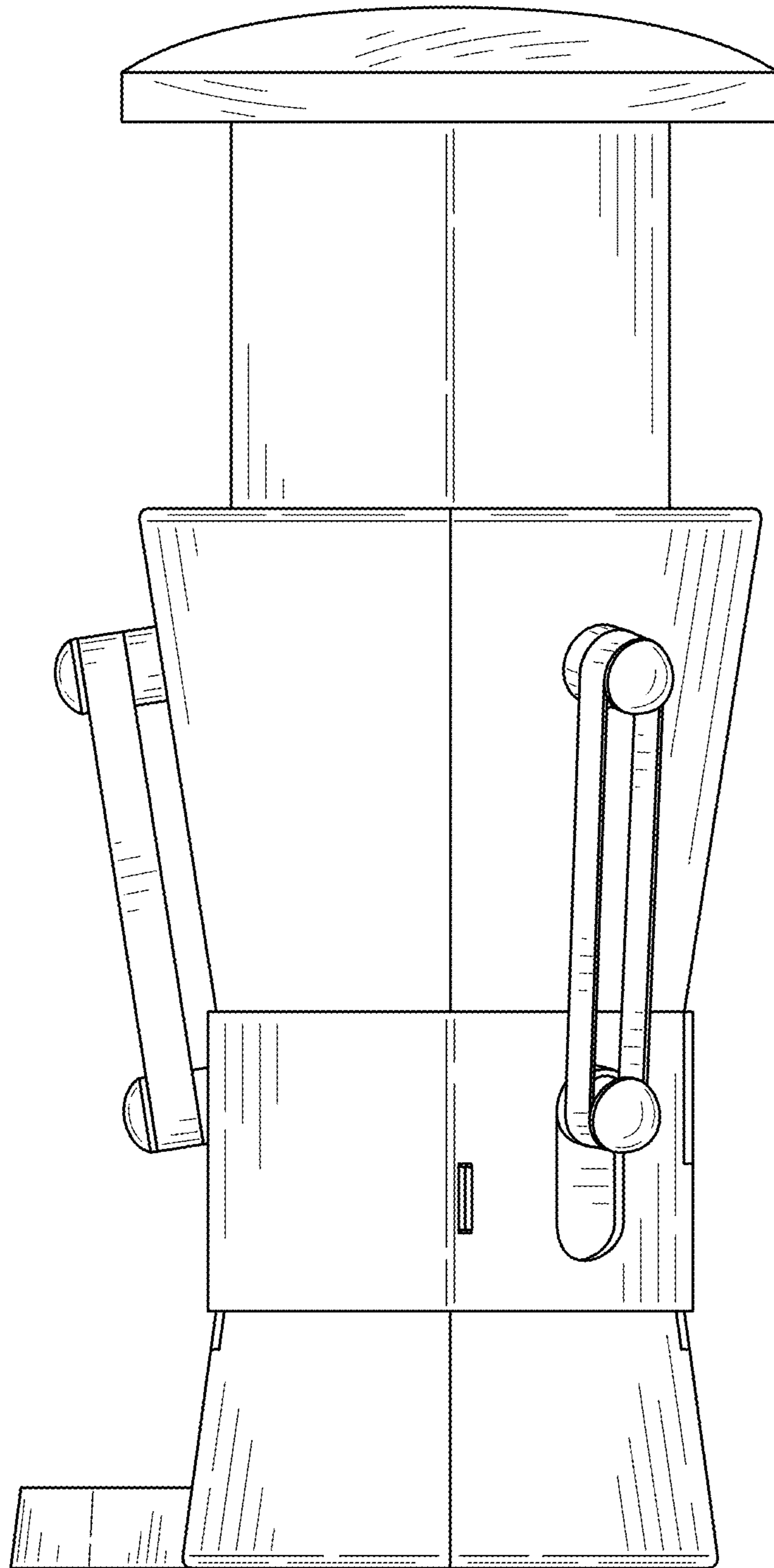


FIG. 4

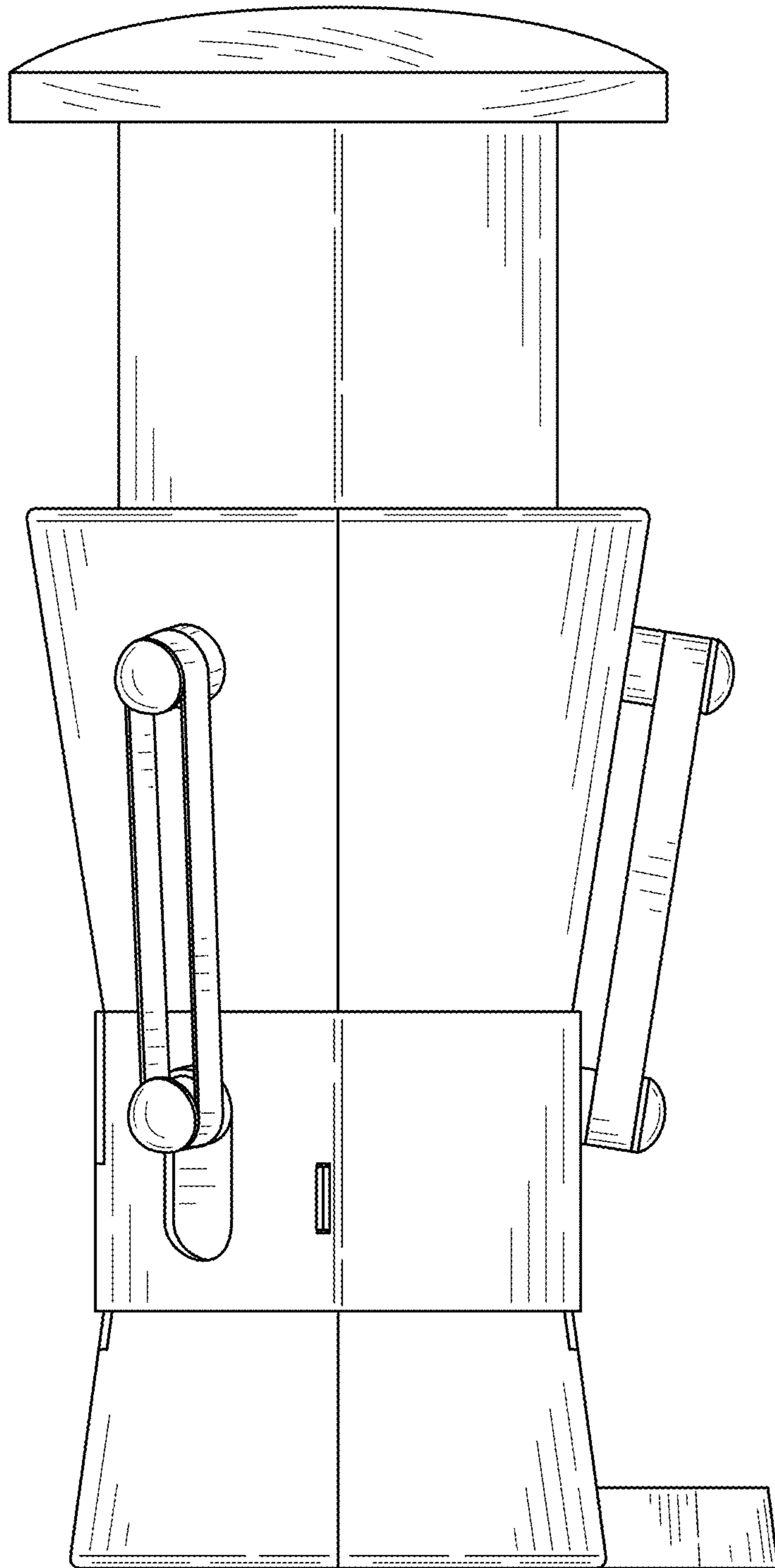


FIG. 5

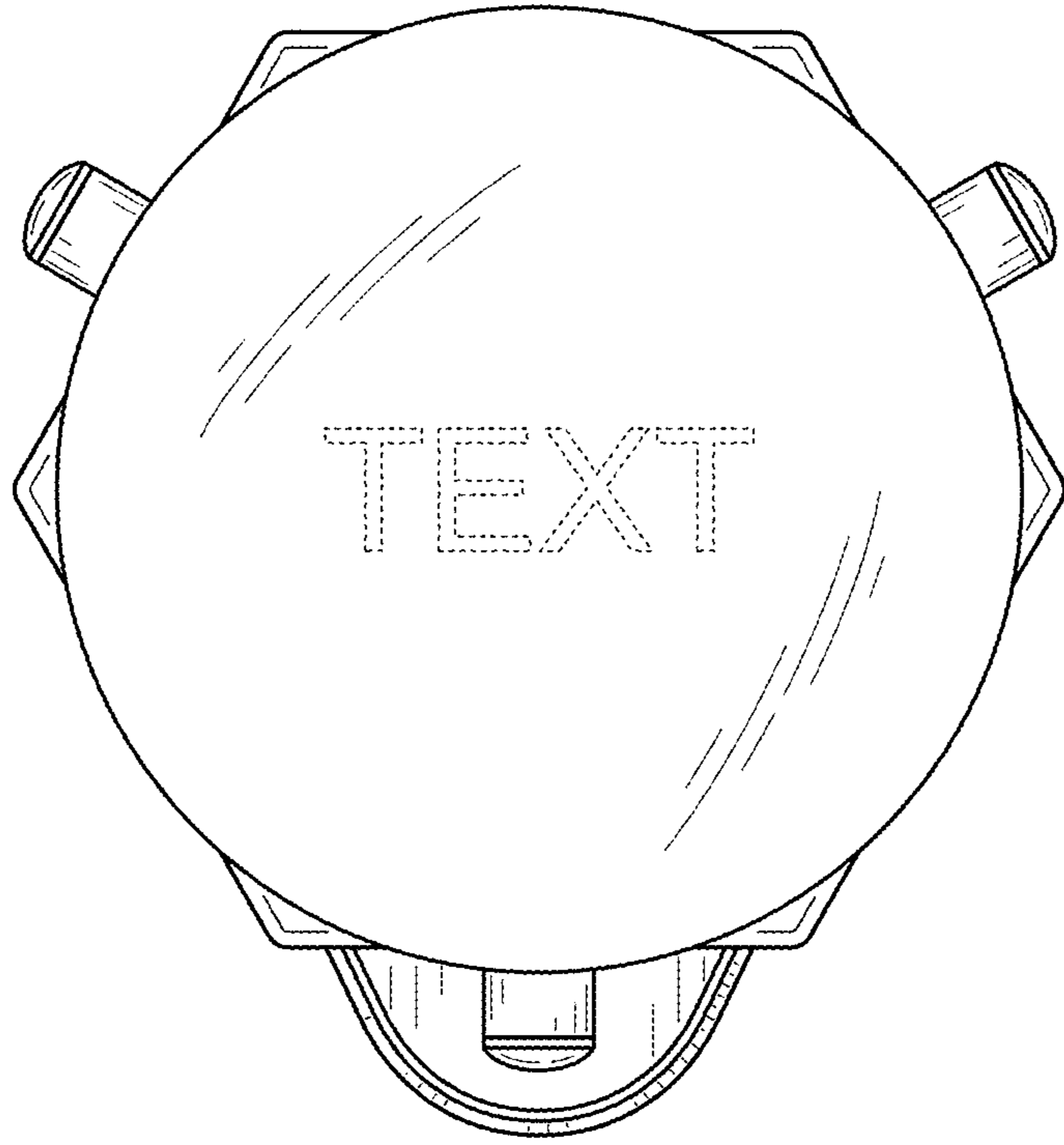


FIG. 6

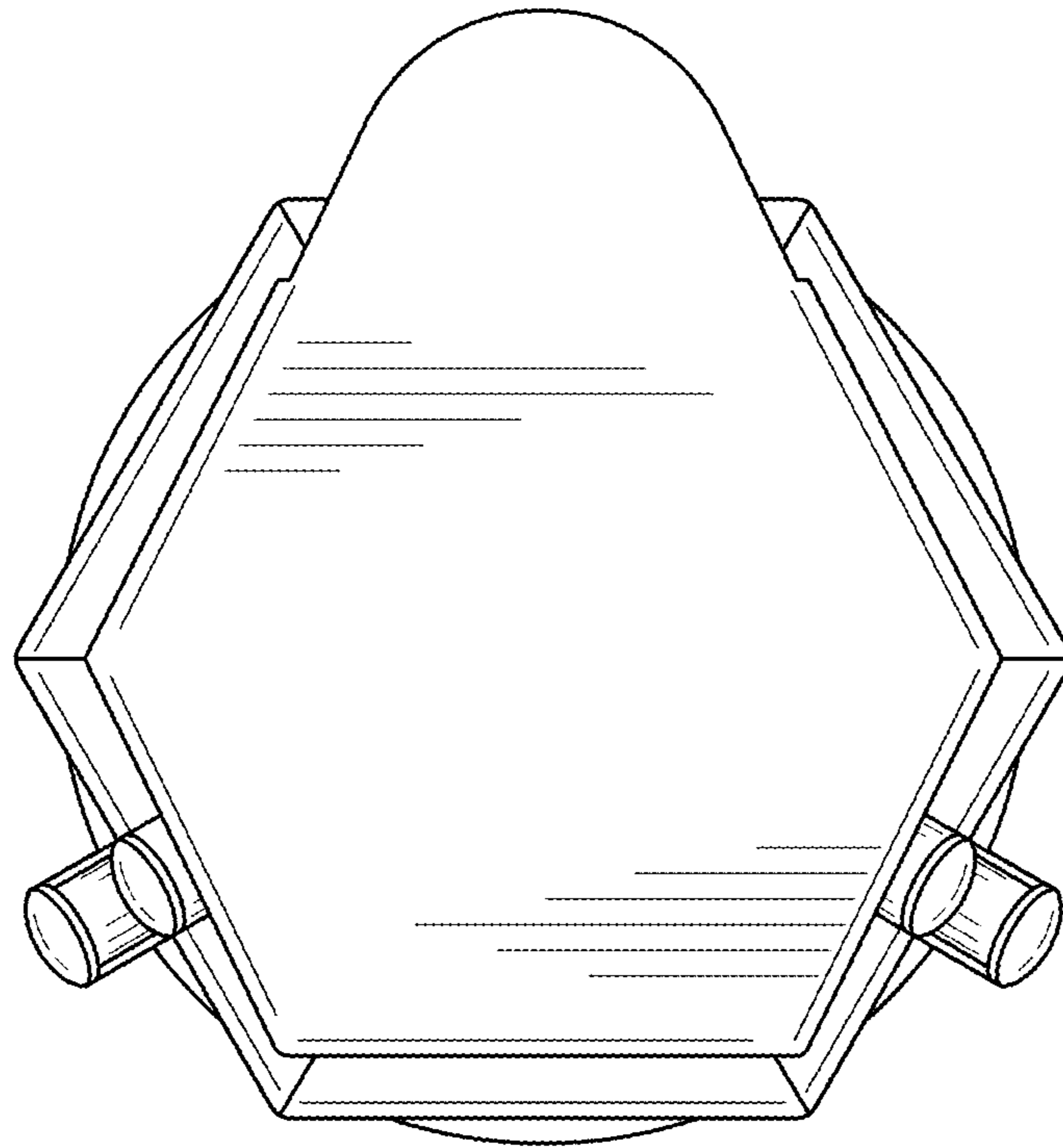


FIG. 7