

US00D962713S

(12) **United States Design Patent**  
**Bell**

(10) **Patent No.:** **US D962,713 S**

(45) **Date of Patent:** **\*\* Sep. 6, 2022**

(54) **FOUR RECEPTACLE TRAY WITH PLATFORM**

(71) Applicant: **Valerie Bell**, Little Rock, AR (US)

(72) Inventor: **Valerie Bell**, Little Rock, AR (US)

(\*\*) Term: **15 Years**

(21) Appl. No.: **29/798,767**

(22) Filed: **Jul. 9, 2021**

(51) **LOC (13) Cl.** ..... **07-01**

(52) **U.S. Cl.**

USPC ..... **D7/553.2**

(58) **Field of Classification Search**

USPC ..... D6/672, 678, 678.2, 682, 682.1, 682.2,  
D6/682.3, 683.4; D3/304-305, 313-316;  
D7/550.1, 552.1, 552.2, 553.1, 553.2  
CPC . A47B 73/00; A47B 81/00; A47F 7/28; A47F  
7/283; A47G 23/0625; A47G 23/06;  
A47G 23/0608; B65D 1/00; B65D 1/34

See application file for complete search history.

(56) **References Cited**

**U.S. PATENT DOCUMENTS**

2,015,496	A *	9/1935	Platt	.....	A23C 3/045
					426/801
D129,741	S *	9/1941	Clark et al.	.....	D7/552.2
D196,665	S *	10/1963	Barnett	.....	D7/552.2
3,214,016	A *	10/1965	Stephan	.....	B65D 71/08
					D9/752
D221,217	S *	7/1971	Beychok	.....	D7/552.2
D224,435	S *	7/1972	Stravitz	.....	D6/682.2
D247,533	S *	3/1978	Noyes	.....	D7/701
D287,376	S *	12/1986	Emmons	.....	D21/468
D300,290	S *	3/1989	Moberg	.....	D6/682.2
D323,447	S *	1/1992	Booz	.....	D7/705
D360,321	S *	7/1995	Wang	.....	D6/682.2
5,513,888	A *	5/1996	Kirkland	.....	B65D 71/50
					294/159

5,718,330	A *	2/1998	Auffret	.....	B65D 71/50
					206/199
5,845,776	A *	12/1998	Galbierz	.....	B65D 71/48
					206/427
6,450,341	B1 *	9/2002	Krupa	.....	B65D 5/5038
					426/106
D496,541	S *	9/2004	Wang	.....	D6/682.2
D515,941	S *	2/2006	Hamblin	.....	D9/756
D515,942	S *	2/2006	Hamblin	.....	D9/433
D515,943	S *	2/2006	Hamblin	.....	D9/756
D519,303	S *	4/2006	Winig	.....	D6/705
D551,038	S *	9/2007	Evaimalo	.....	D7/708
D562,591	S *	2/2008	Raile	.....	D6/682.2
D566,423	S *	4/2008	Raile	.....	D6/682.2

(Continued)

*Primary Examiner* — Kelley A Donnelly

(74) *Attorney, Agent, or Firm* — Mark Murphey Henry

(57) **CLAIM**

The ornamental design for a four receptacle serving tray with platform, as shown and described.

**DESCRIPTION**

Improved version of U.S. application Ser. Nos. 29/654,632 and 29/654,643 by the original inventor.

FIG. 1 is a perspective of the four receptacle tray with platform.

FIG. 2 is a right-side view of the four receptacle tray with platform.

FIG. 3 is a top view of the four receptacle tray with platform.

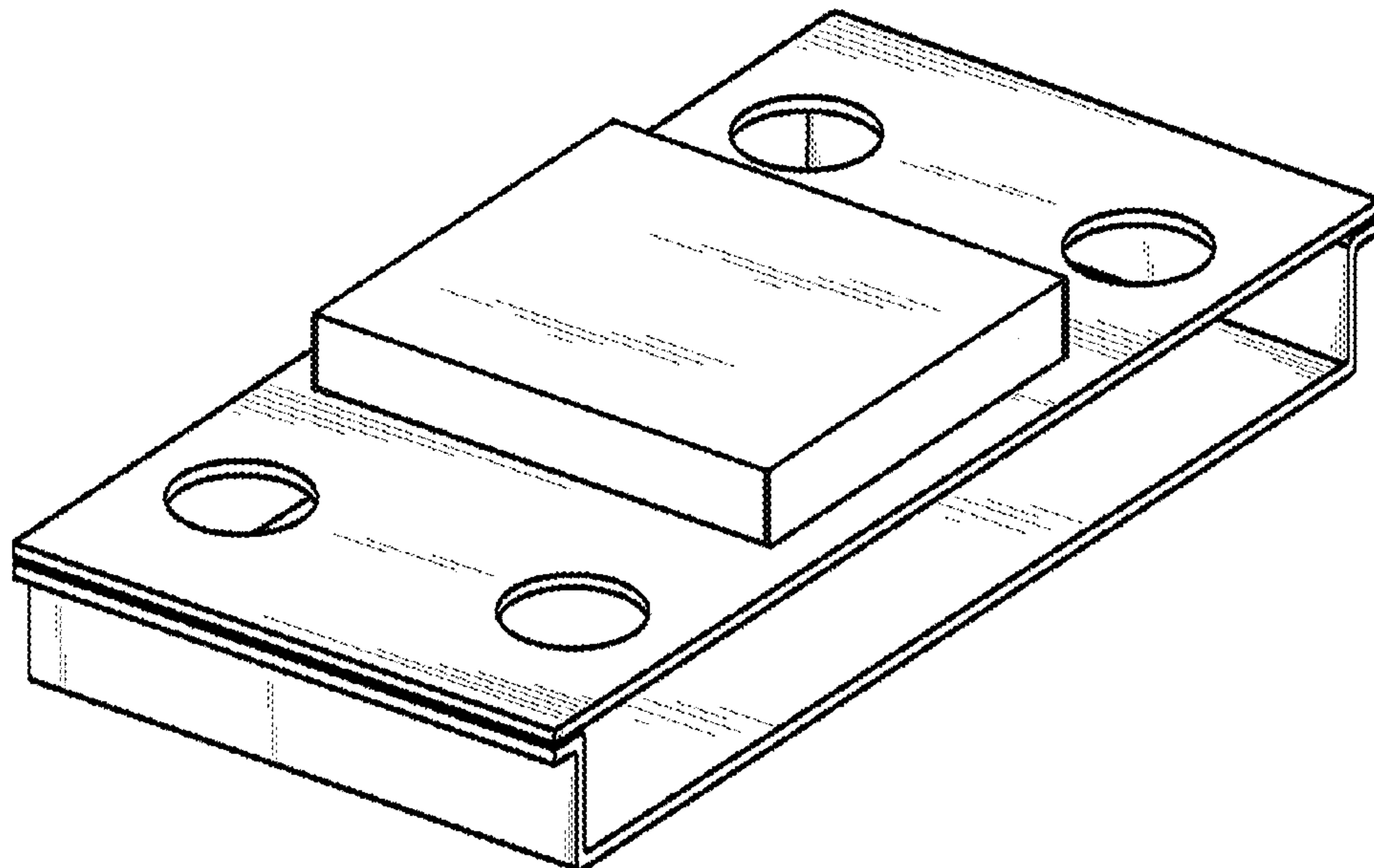
FIG. 4 is a front view of the four receptacle tray with platform.

FIG. 5 is a back view of the four receptacle tray with platform.

FIG. 6 is a top view of the four receptacle tray with platform; and,

FIG. 7 is a bottom view of the four receptacle tray with platform.

**1 Claim, 4 Drawing Sheets**



(56)

References Cited

U.S. PATENT DOCUMENTS

D597,370	S *	8/2009	Watkins	.....	D7/354
D603,189	S *	11/2009	Raile	.....	D6/682.2
D608,609	S *	1/2010	Eaton	.....	D7/701
D621,639	S *	8/2010	Merrick	.....	D6/682.2
8,246,190	B2 *	8/2012	Boiteau	.....	A47G 23/0641
					206/139
D695,078	S *	12/2013	Hertaus	.....	D7/600.1
D705,618	S *	5/2014	Reid, Jr.	.....	D7/701
D786,029	S *	5/2017	Pannell	.....	D7/708
D788,546	S *	6/2017	McClaskey	.....	D7/619.1
D796,277	S *	9/2017	Stiffel	.....	D7/701
D807,129	S *	1/2018	Martinez	.....	D7/701
D828,768	S *	9/2018	Lebeau	.....	D9/737
D831,444	S *	10/2018	Gu	.....	D7/701
D857,430	S *	8/2019	Ravid	.....	D6/682.2
D865,451	S *	11/2019	Thompson	.....	D7/551.1
D881,718	S *	4/2020	Bandinu	.....	D9/755
D893,672	S *	8/2020	Mullen	.....	D23/206
D902,660	S *	11/2020	Li	.....	D7/553.2
D904,089	S *	12/2020	Chen	.....	D6/682.2
D923,415	S *	6/2021	Luciano	.....	D7/553.4
D923,416	S *	6/2021	Luciano	.....	D7/553.4
D925,304	S *	7/2021	Lukyanov	.....	D6/682.2
D941,647	S *	1/2022	Winter	.....	D7/701
D944,604	S *	3/2022	Levine	.....	D7/672
D944,605	S *	3/2022	Levine	.....	D7/672
D945,192	S *	3/2022	Gady	.....	D6/682.1
D951,032	S *	5/2022	Levine	.....	D7/672
2011/0005962	A1 *	1/2011	Hirz	.....	B65D 25/24
					220/601

\* cited by examiner

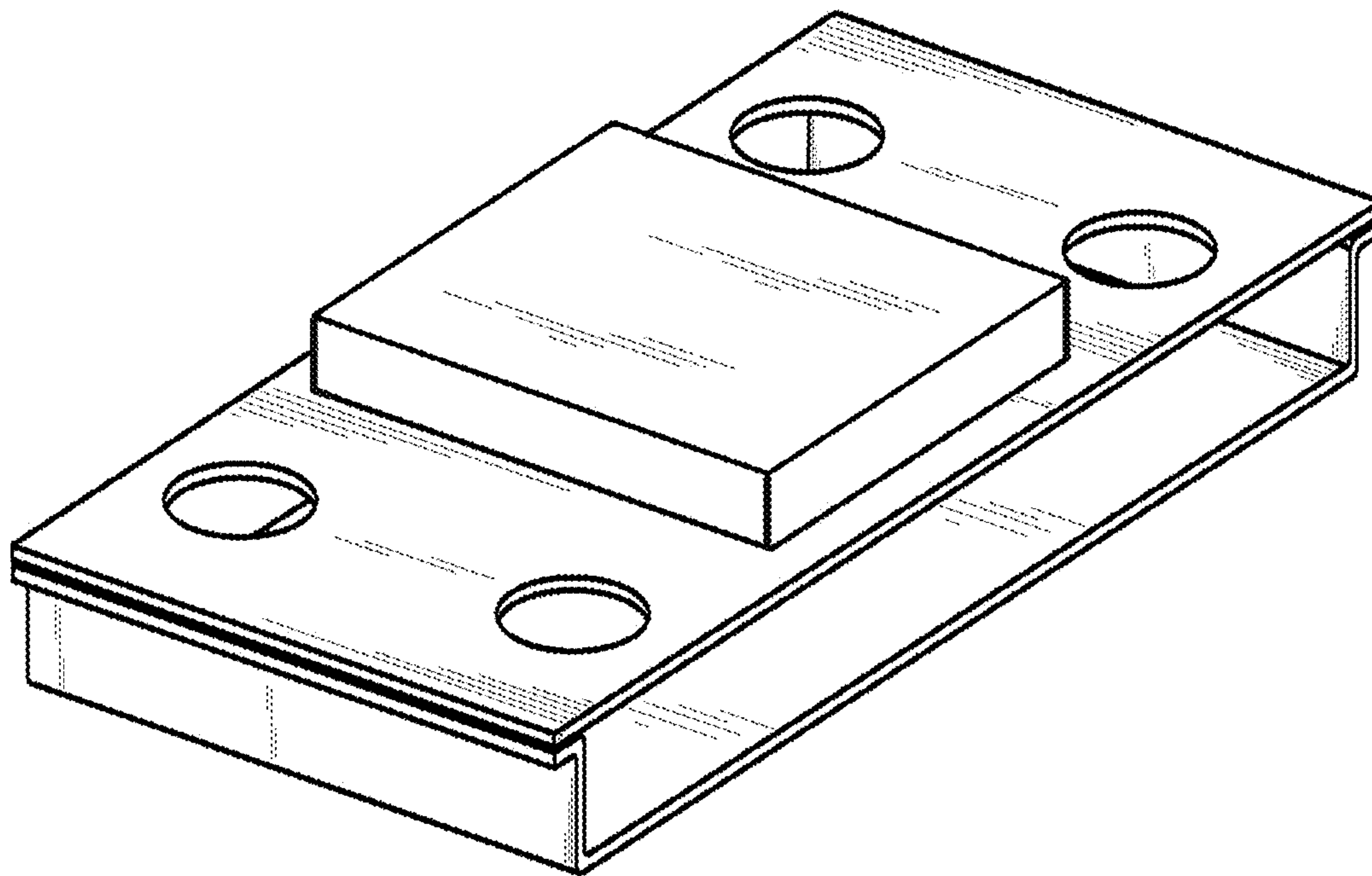


FIG. 1

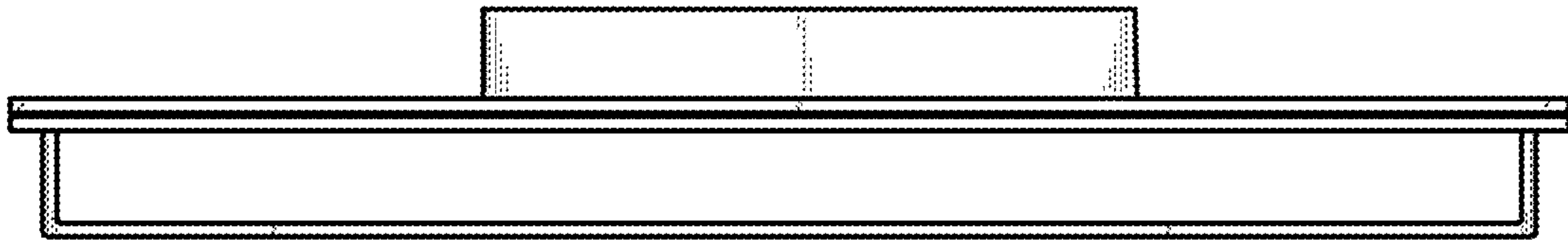


FIG. 2

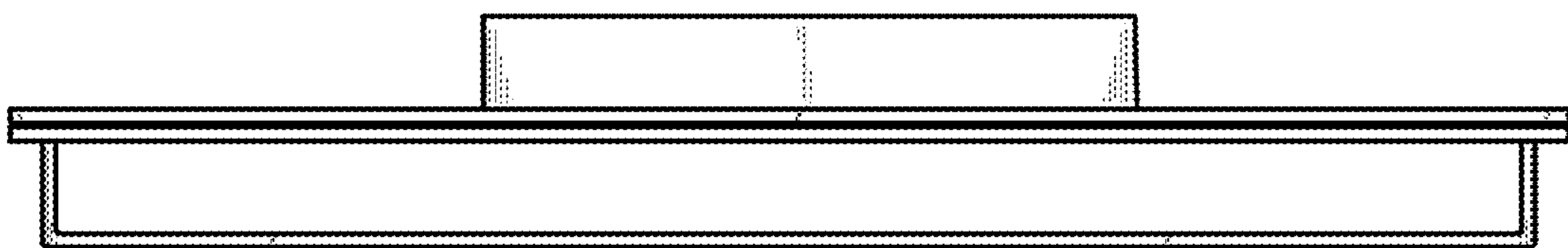


FIG. 3

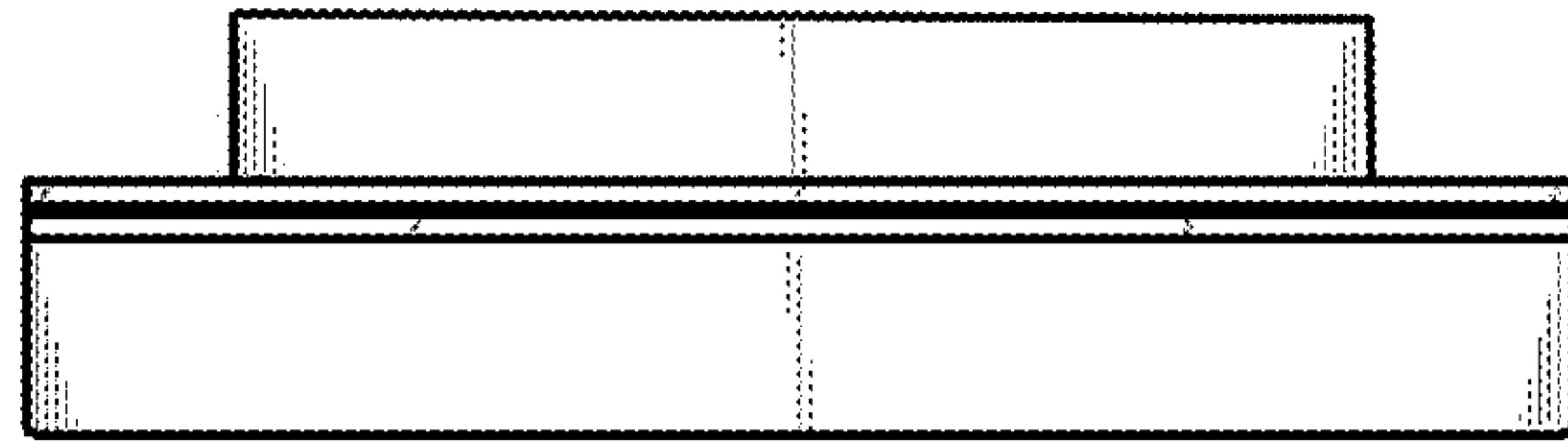


FIG. 4

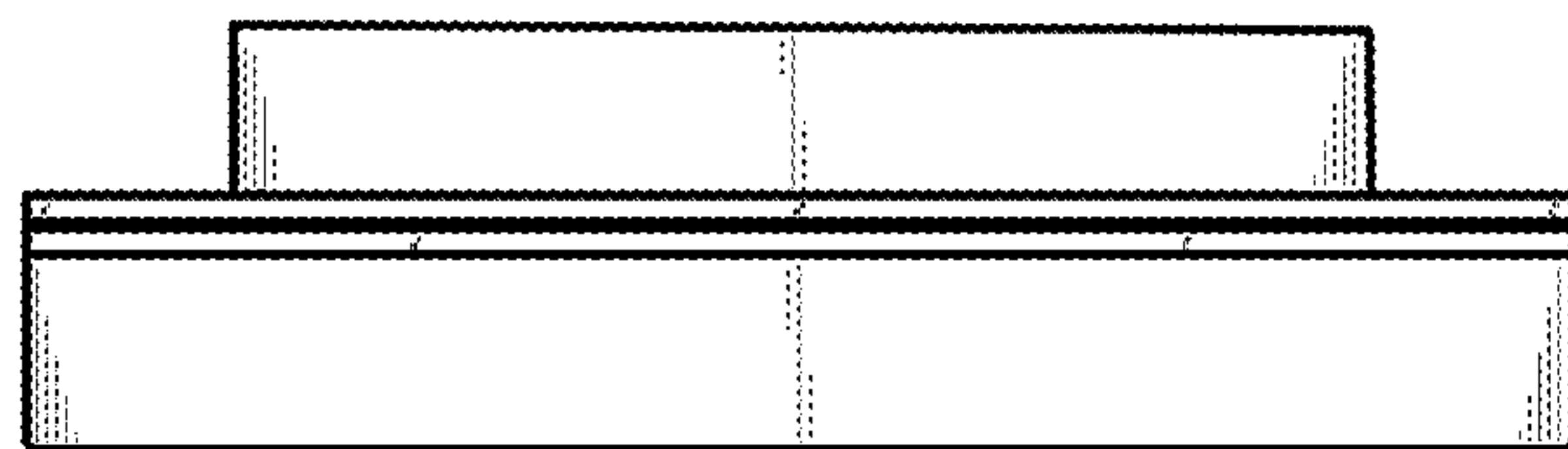


FIG. 5

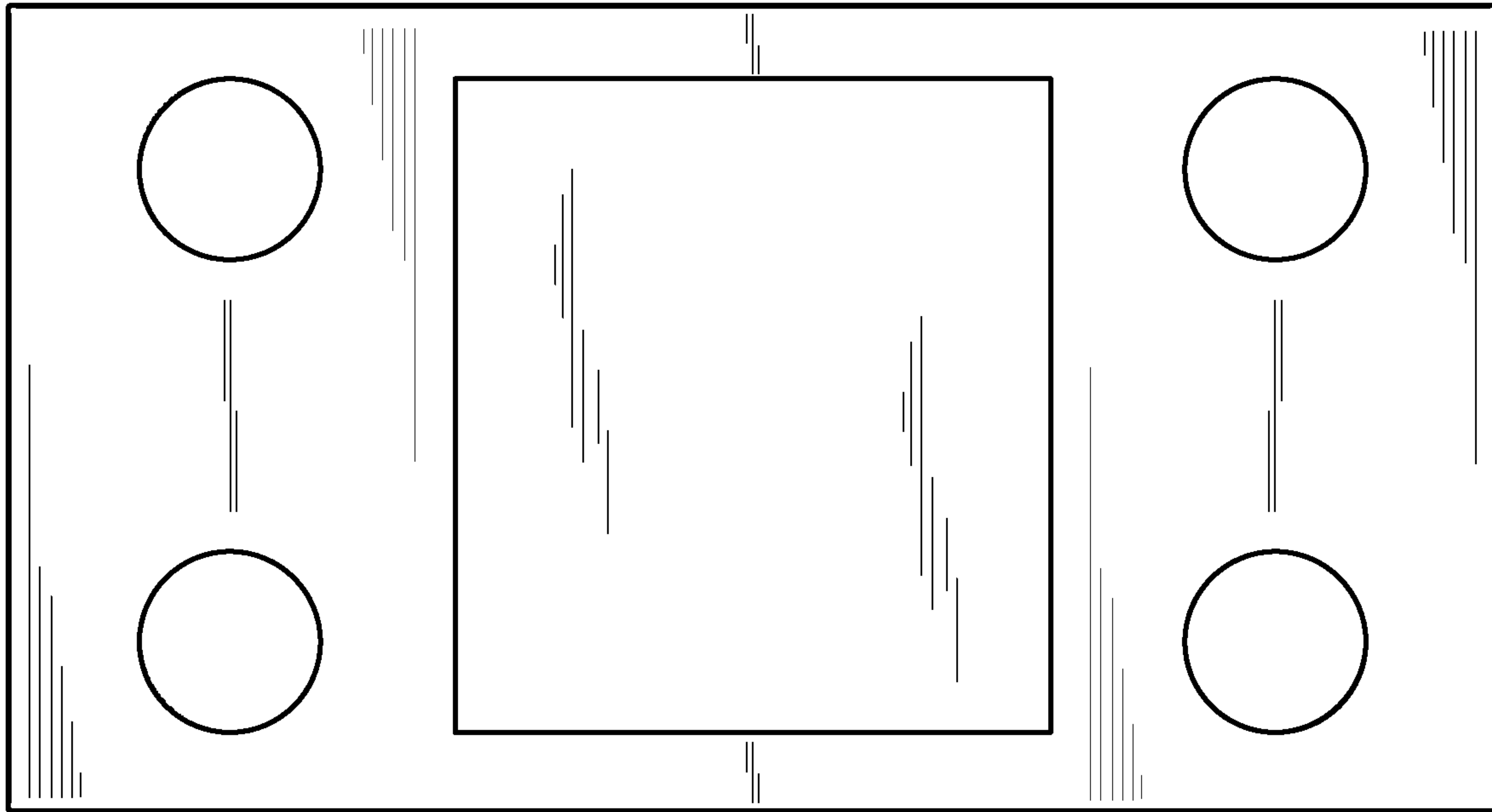


FIG. 6



FIG. 7