



US00D962712S

(12) **United States Design Patent** (10) **Patent No.:** **US D962,712 S**
Bell (45) **Date of Patent:** **** Sep. 6, 2022**

(54) **FOUR RECEPTACLE TRAY**
(71) Applicant: **Valerie Bell**, Little Rock, AR (US)
(72) Inventor: **Valerie Bell**, Little Rock, AR (US)
(**) Term: **15 Years**
(21) Appl. No.: **29/798,762**
(22) Filed: **Jul. 9, 2021**
(51) **LOC (13) Cl.** **07-01**
(52) **U.S. Cl.**
USPC **D7/553.2**
(58) **Field of Classification Search**
USPC D6/672, 678, 678.2, 682, 682.1, 682.2,
D6/682.3, 683.4; D3/304-305, 313-316;
D7/550.1, 552.1, 552.2, 553.1, 553.2
CPC . A47B 73/00; A47B 81/00; A47F 7/28; A47F
7/283; A47G 23/0625; A47G 23/06;
A47G 23/0608
See application file for complete search history.

5,718,330 A * 2/1998 Auffret B65D 71/50
206/199
5,845,776 A * 12/1998 Galbierz B65D 71/48
206/427
6,450,341 B1 * 9/2002 Krupa B65D 5/5038
426/106
D496,541 S * 9/2004 Wang D6/682.2
D515,941 S * 2/2006 Hamblin D9/756
D515,942 S * 2/2006 Hamblin D9/433
D515,943 S * 2/2006 Hamblin D9/756
D519,303 S * 4/2006 Winig D6/705
D551,038 S * 9/2007 Evaimalo D7/708
D562,591 S * 2/2008 Raile D6/682.2
D566,423 S * 4/2008 Raile D6/682.2
D597,370 S * 8/2009 Watkins D7/354
D603,189 S * 11/2009 Raile D6/682.2
D608,609 S * 1/2010 Eaton D7/701
D621,639 S * 8/2010 Merrick D6/682.2
8,246,190 B2 * 8/2012 Boiteau A47G 23/0641
206/139
D695,078 S * 12/2013 Hertaus D7/600.1
D705,618 S * 5/2014 Reid, Jr. D7/701
D786,029 S * 5/2017 Pannell D7/708
D788,546 S * 6/2017 McClaskey D7/619.1
D796,277 S * 9/2017 Stiffel D7/701

(Continued)

Primary Examiner — Kelley A Donnelly
(74) Attorney, Agent, or Firm — Mark Murphey Henry

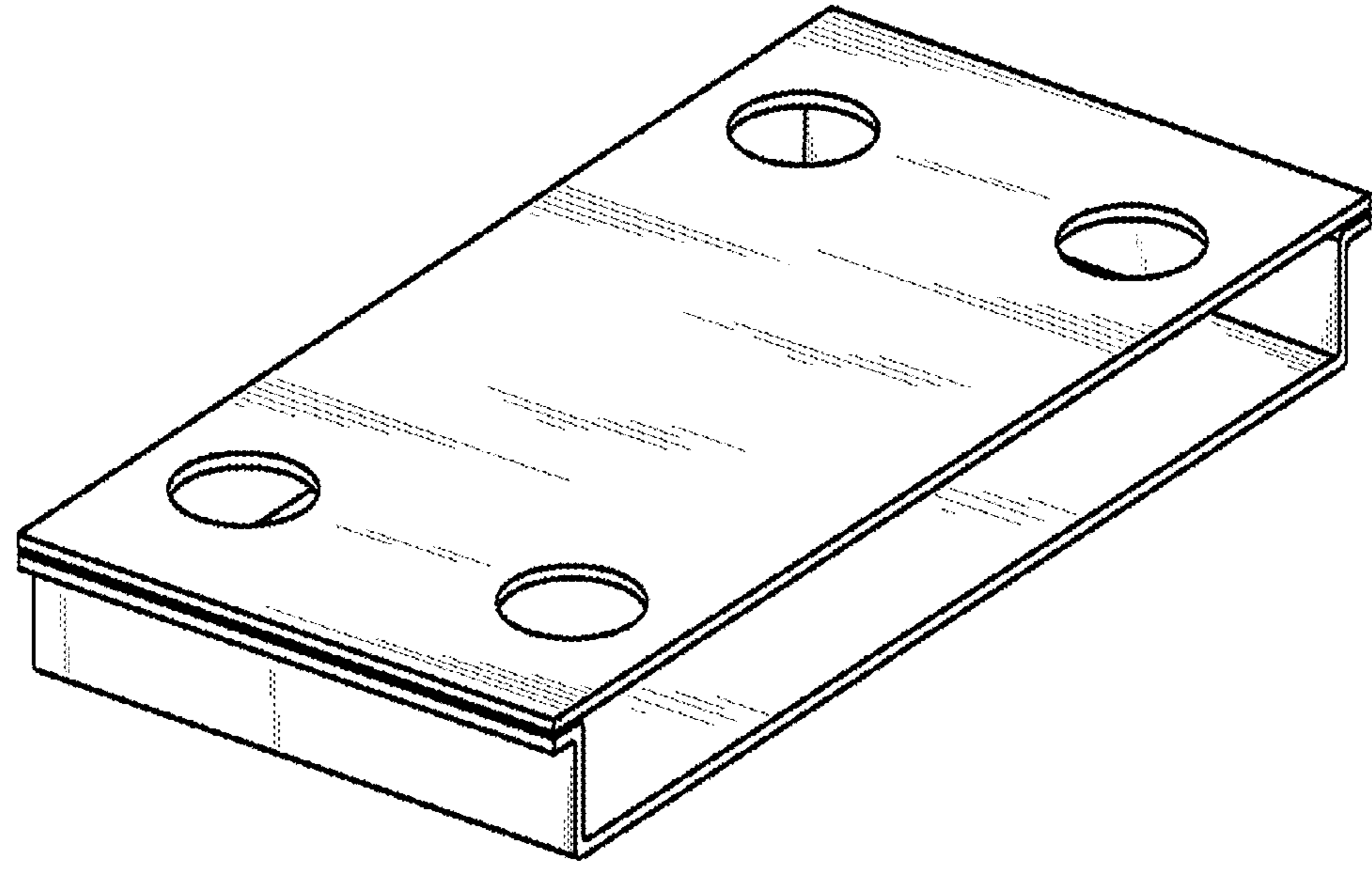
(56) **References Cited**
U.S. PATENT DOCUMENTS
2,015,496 A * 9/1935 Platt A23C 3/045
426/801
D129,741 S * 9/1941 Clark et al. D7/552.2
D196,665 S * 10/1963 Barnett D7/552.2
3,214,016 A * 10/1965 Stephan B65D 71/08
D9/752
D221,217 S * 7/1971 Beychok D7/552.2
D224,435 S * 7/1972 Stravitz D6/682.2
D247,533 S * 3/1978 Noyes D7/701
D287,376 S * 12/1986 Emmons D21/468
D300,290 S * 3/1989 Moberg D6/682.2
D323,447 S * 1/1992 Booz D7/705
D360,321 S * 7/1995 Wang D6/682.2
5,513,888 A * 5/1996 Kirkland B65D 71/50
294/159

(57) **CLAIM**
The ornamental design for a four receptacle tray, as shown and described.

DESCRIPTION

FIG. 1 is a perspective of the four receptacle tray.
FIG. 2 is a right-side view of the four receptacle tray.
FIG. 3 is a top view of the four receptacle tray.
FIG. 4 is a front view of the four receptacle tray.
FIG. 5 is a back view of the four receptacle tray.
FIG. 6 is a top view of the four receptacle tray; and,
FIG. 7 is a bottom view of the four-receptacle tray.

1 Claim, 4 Drawing Sheets



(56)

References Cited

U.S. PATENT DOCUMENTS

D807,129	S	*	1/2018	Martinez	D7/701
D828,768	S	*	9/2018	Lebeau	D9/737
D831,444	S	*	10/2018	Gu	D7/701
D857,430	S	*	8/2019	Ravid	D6/682.2
D865,451	S	*	11/2019	Thompson	D7/551.1
D881,718	S	*	4/2020	Bandinu	D9/755
D893,672	S	*	8/2020	Mullen	D23/206
D902,660	S	*	11/2020	Li	D7/553.2
D904,089	S	*	12/2020	Chen	D6/682.2
D923,415	S	*	6/2021	Luciano	D7/553.4
D923,416	S	*	6/2021	Luciano	D7/553.4
D925,304	S	*	7/2021	Lukyanov	D6/682.2
D941,647	S	*	1/2022	Winter	D7/701
D944,604	S	*	3/2022	Levine	D7/672
D944,605	S	*	3/2022	Levine	D7/672
D945,192	S	*	3/2022	Gady	D6/682.1
D951,032	S	*	5/2022	Levine	D7/672
2011/0005962	A1	*	1/2011	Hirz	B65D 25/24 220/601

* cited by examiner

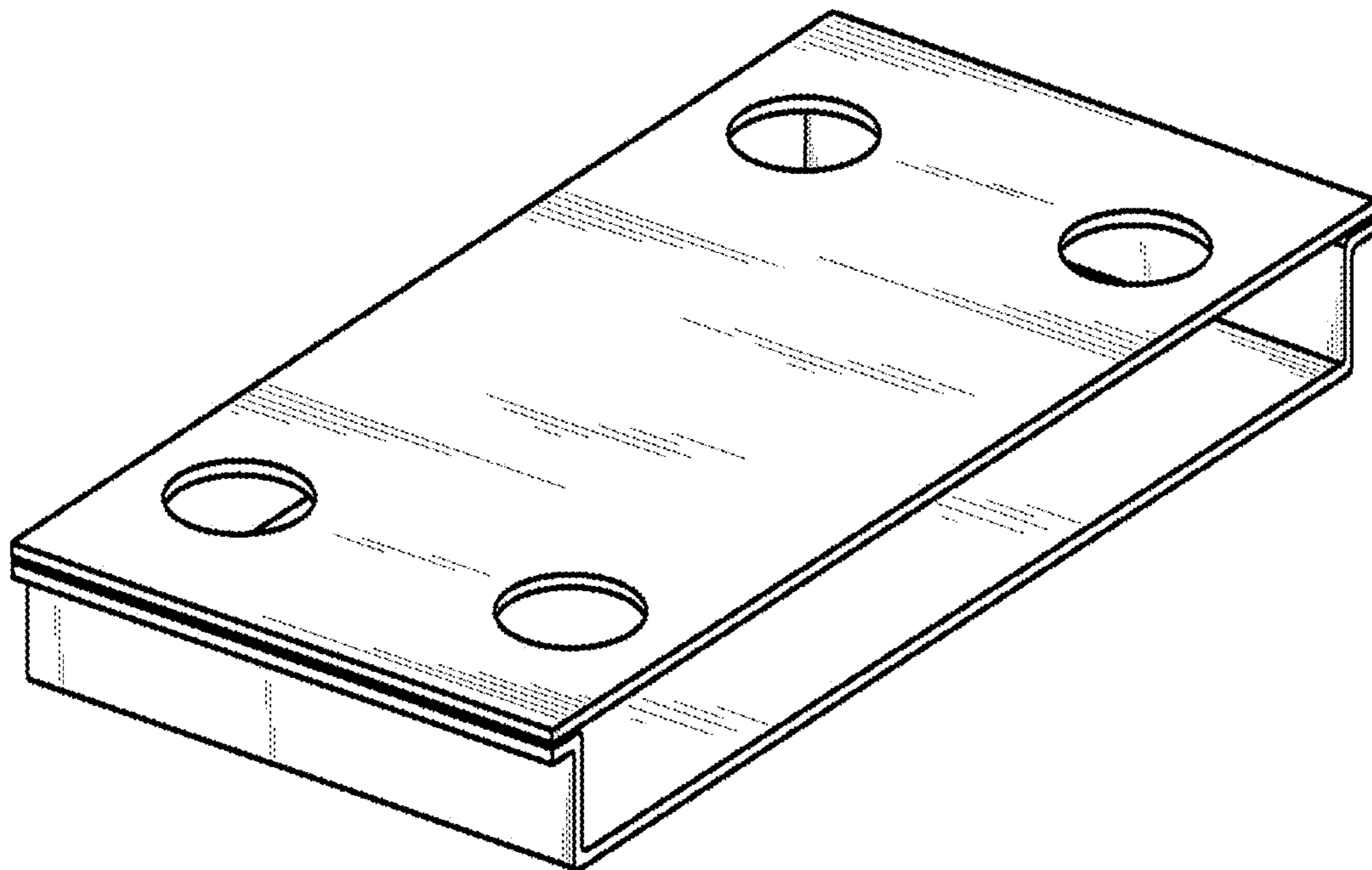


FIG. 1

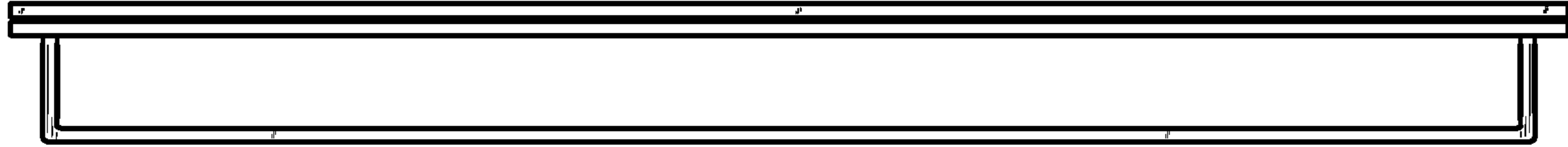


FIG. 2

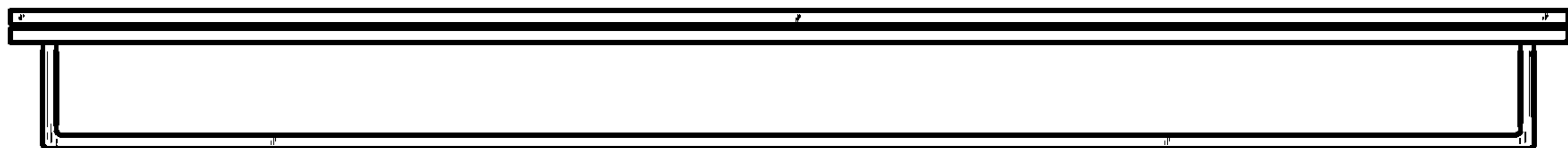


FIG. 3

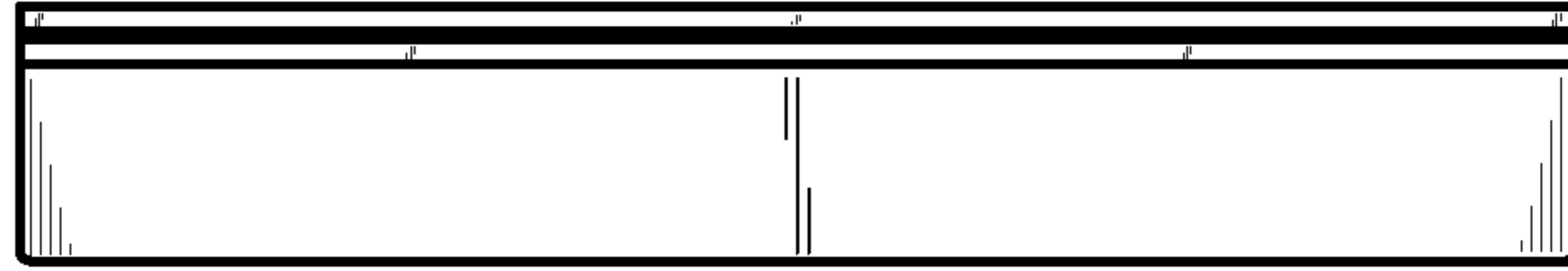


FIG. 4

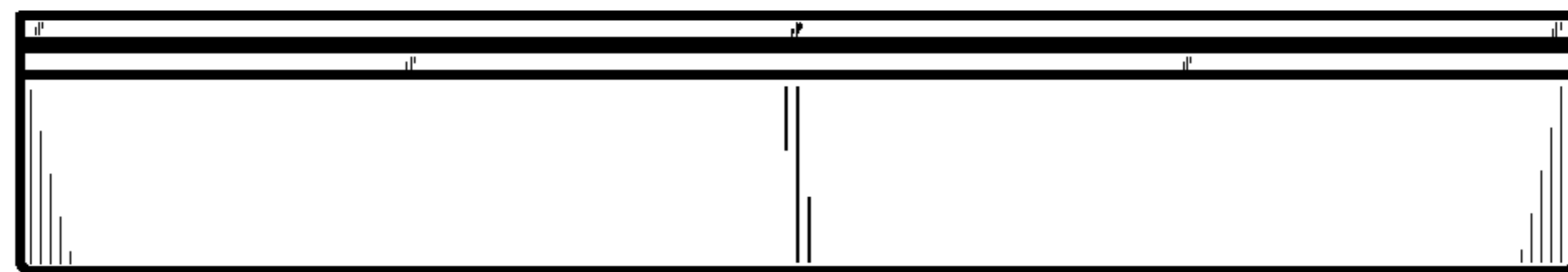


FIG. 5

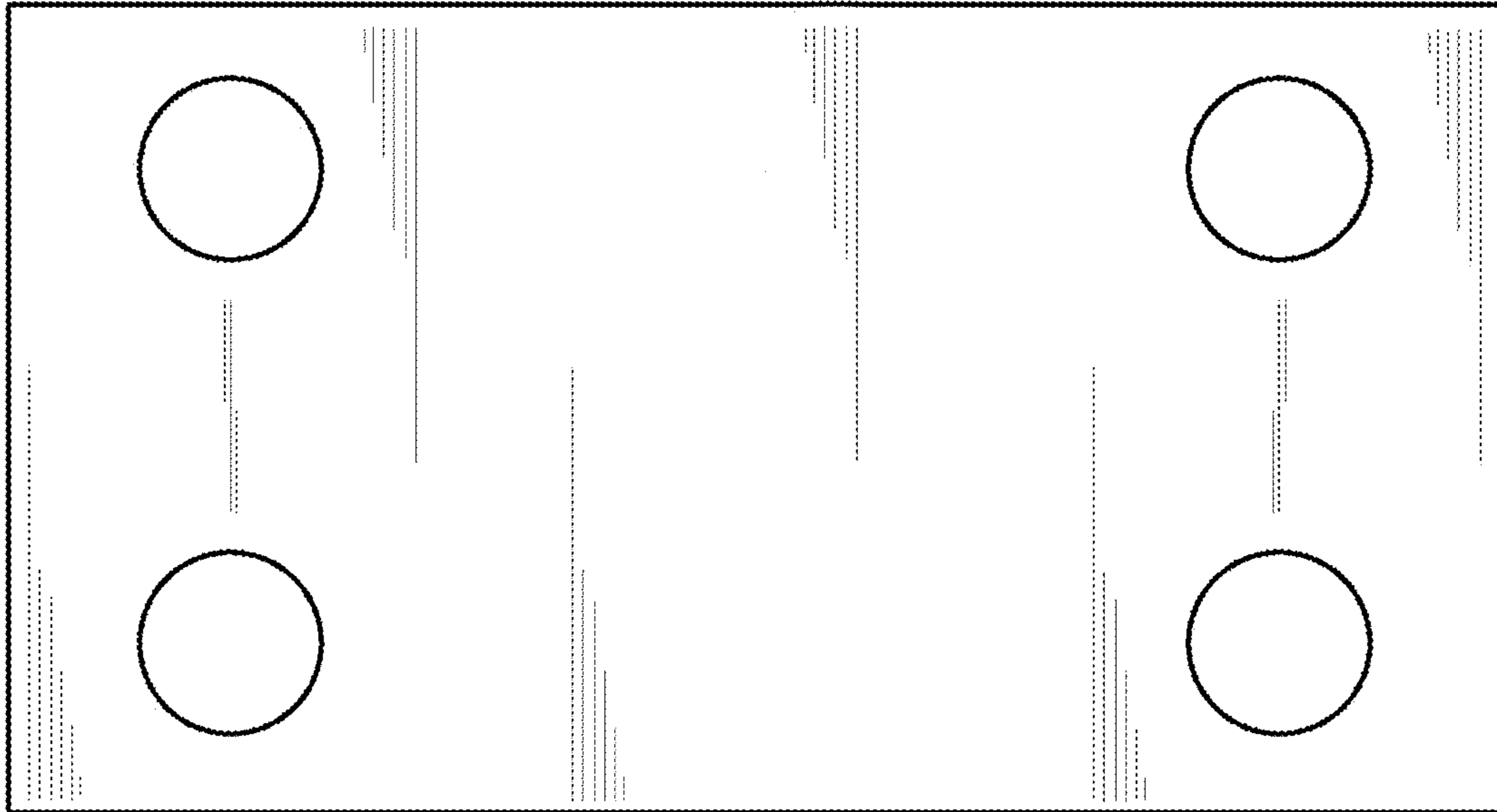


FIG. 6

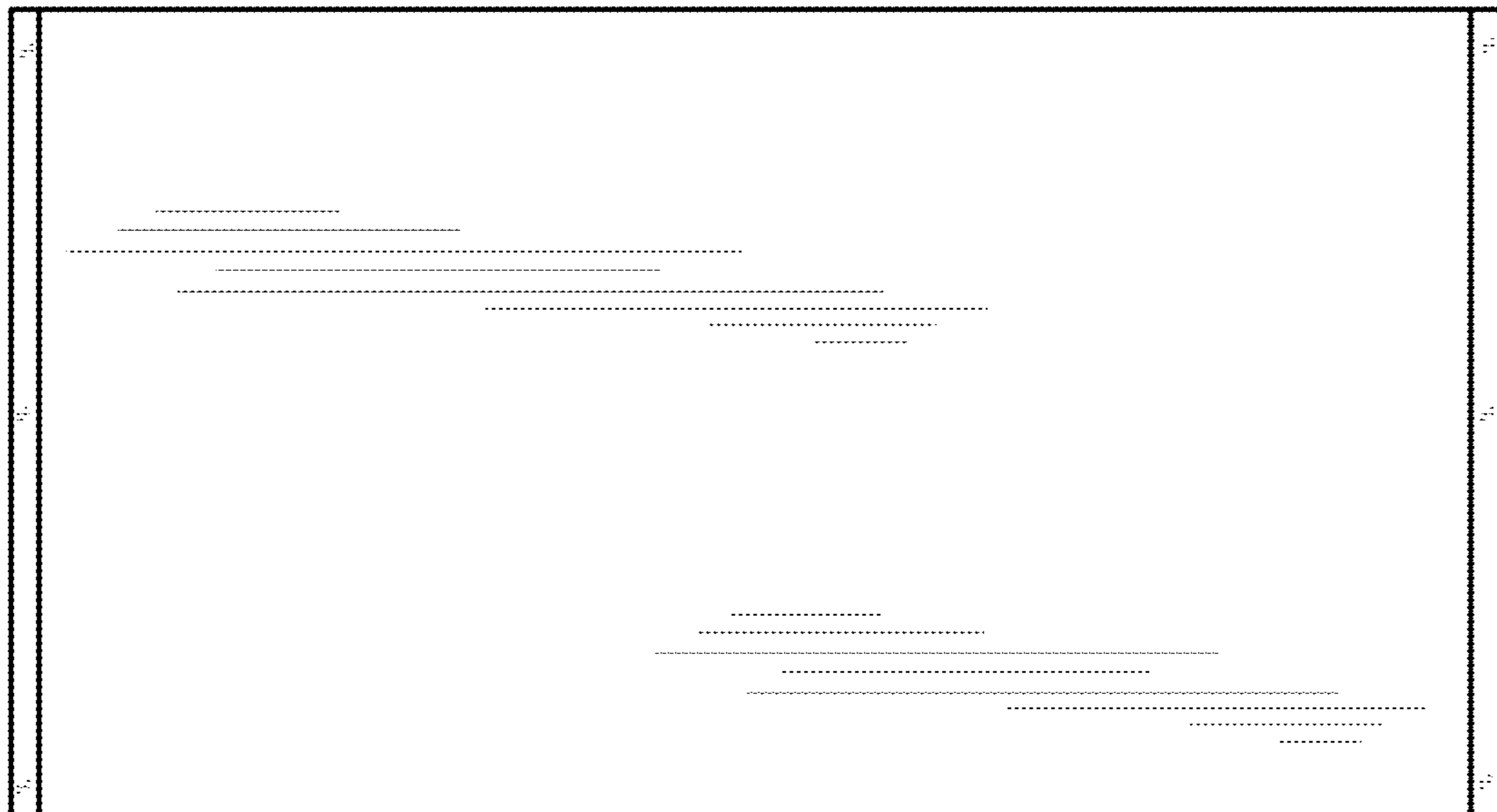


FIG. 7