

US00D962711S

(12) **United States Design Patent** (10) **Patent No.:** **US D962,711 S**
Goto (45) **Date of Patent:** **** Sep. 6, 2022**

(54) **MUG WITH A LID**
(71) Applicant: **ZOJIRUSHI CORPORATION**, Osaka (JP)
(72) Inventor: **Tamami Goto**, Osaka (JP)
(73) Assignee: **ZOJIRUSHI CORPORATION**, Osaka (JP)

D622,549 S * 8/2010 Carreno D7/533
D623,475 S * 9/2010 Aarnoudse D7/510
D629,657 S * 12/2010 Carreno D7/629
D641,591 S * 7/2011 Tsukida D7/608
D643,694 S * 8/2011 Lu D9/504
D652,682 S * 1/2012 Eyal D7/510
D655,134 S * 3/2012 Gilbert D7/510
D695,138 S * 12/2013 Ball D9/772
D709,734 S * 7/2014 Kotani D7/608
(Continued)

(**) Term: **15 Years**
(21) Appl. No.: **35/510,937**
(22) Filed: **Jun. 9, 2020**

FOREIGN PATENT DOCUMENTS

BX 29180-01 6/1998
EM 000209119-0001 7/2004
(Continued)

(80) **Hague Agreement Data**
Int. Filing Date: **Jun. 9, 2020**
Int. Reg. No.: **DM/209296**
Int. Reg. Date: **Jun. 9, 2020**
Int. Reg. Pub. Date: **Dec. 11, 2020**

OTHER PUBLICATIONS

Stainless Tea Tumbler, Feb. 2021, found on Jan. 25, 2022 at <https://shop.zojirushi.com/products/sekae> (Year: 2021).*
(Continued)

(51) **LOC (13) Cl.** **07-01**
(52) **U.S. Cl.**
USPC **D7/533**
(58) **Field of Classification Search**
USPC D7/213, 330, 357, 400, 401.1, 401.2,
D7/402, 510, 511, 523, 533, 536, 566,
D7/600, 600.1, 602, 609, 624.1, 638, 672,
D7/701; D6/512, 522, 561, 571, 572,
D6/573, 661, 661.2, 602, 663, 671, 672,
D6/675, 681.2, 683.1; D32/58
CPC ... A47G 1/20; A47J 31/44; A47J 31/52; A47J
43/04; A47J 43/44
See application file for complete search history.

Primary Examiner — Karen S Acker
(74) *Attorney, Agent, or Firm* — Nixon & Vanderhye PC

(57) **CLAIM**

The ornamental design for a mug with a lid, as shown and described.

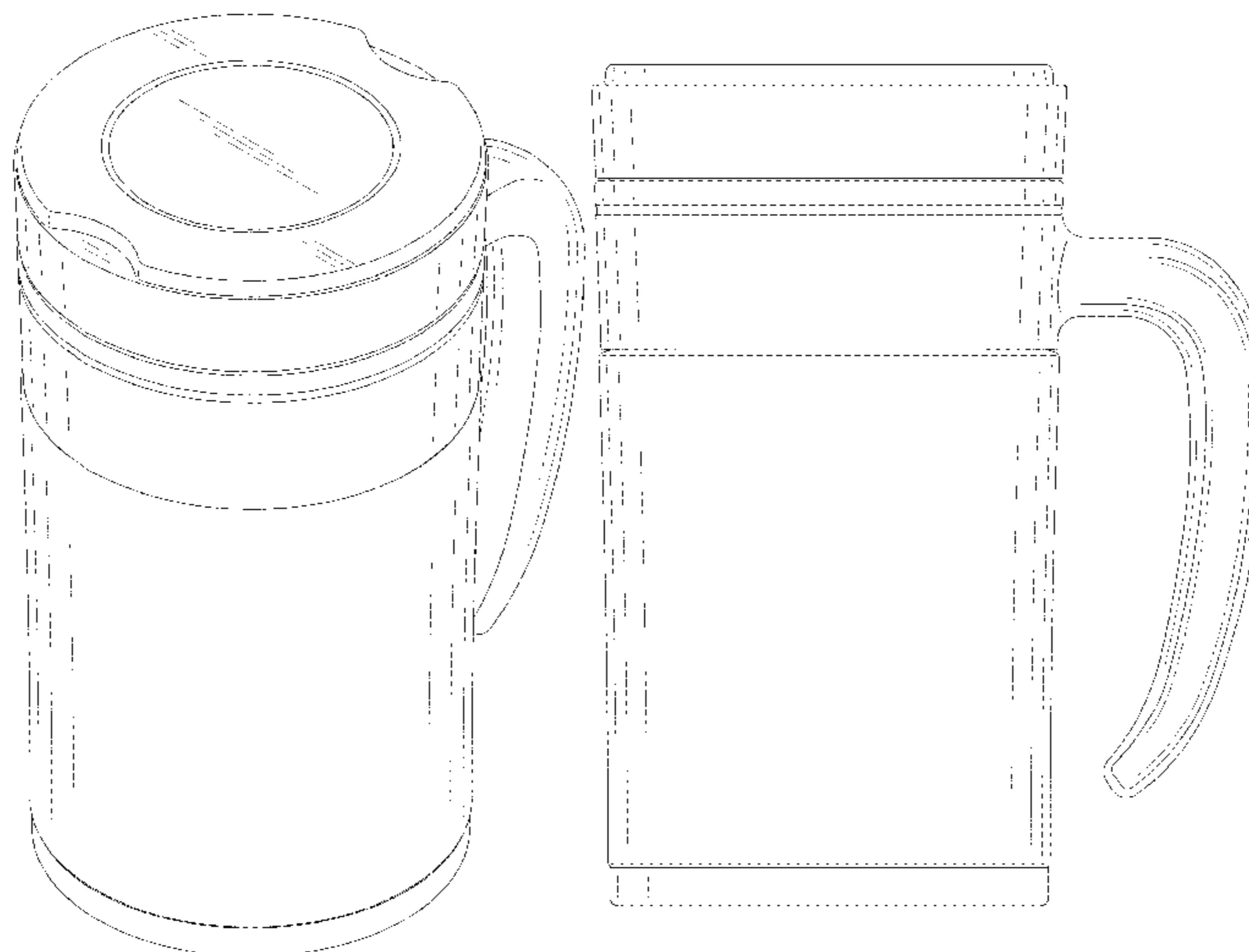
DESCRIPTION

Fig. 1.1 is a perspective view of a mug with a lid according to my new design;
Fig. 1.2 is front view thereof;
Fig. 1.3 is a bottom plan view thereof;
Fig. 1.4 is a top plan view thereof;
Fig. 1.5 is a right side view thereof;
Fig. 1.6 is a left side view thereof.
The back view is not shown because it is symmetrical to the front view.
The broken lines depict portions of the mug with a lid that form no part of the claimed design.

(56) **References Cited**
U.S. PATENT DOCUMENTS

D475,577 S * 6/2003 Kung D7/533
D475,578 S * 6/2003 Hurlbut D7/533
D531,454 S * 11/2006 Zerillo D7/533
D535,524 S * 1/2007 Kramer D7/533
D599,168 S * 9/2009 Alviar D7/510

1 Claim, 6 Drawing Sheets



(56)

References Cited

U.S. PATENT DOCUMENTS

| | | | | | |
|------------|---|---------|---------------|-------|----------|
| D712,701 S | * | 9/2014 | Boroski | | D7/533 |
| D713,206 S | * | 9/2014 | Lane | | D7/533 |
| D728,312 S | * | 5/2015 | Bo | | D7/510 |
| D729,584 S | * | 5/2015 | Weston | | D7/510 |
| D769,079 S | * | 10/2016 | Kotani | | D7/608 |
| D786,679 S | * | 5/2017 | Barroso Miana | | D9/504 |
| D814,870 S | * | 4/2018 | Spivey | | D7/533 |
| D867,069 S | * | 11/2019 | Wang | | D7/515 |
| D875,471 S | * | 2/2020 | Cheng | | D7/510 |
| D878,160 S | * | 3/2020 | Corbet | | D7/523 |
| D888,505 S | * | 6/2020 | Seiders | | D7/624.2 |
| D901,248 S | * | 11/2020 | Lane | | D7/510 |

FOREIGN PATENT DOCUMENTS

| | | |
|----|----------------|---------|
| EM | 000577739-0001 | 8/2006 |
| EM | 000604095-0002 | 10/2006 |
| EM | 000831904-0006 | 11/2007 |
| EM | 000972278-0001 | 7/2008 |
| EM | 001154819-0003 | 7/2009 |
| EM | 001154819-0004 | 7/2009 |
| EM | 001577230-0002 | 7/2009 |
| EM | 001644014-0001 | 12/2009 |
| EM | 001819160-0004 | 2/2011 |
| EM | 001946344-0001 | 11/2011 |
| EM | 002020438-0008 | 4/2012 |
| EM | 002123612-0001 | 10/2012 |
| EM | 002173088-0001 | 1/2013 |
| EM | 002306787-0004 | 9/2013 |
| EM | 002308494-0001 | 9/2013 |
| EM | 002308494-0002 | 9/2013 |
| EM | 002308494-0003 | 9/2013 |
| EM | 002308494-0004 | 9/2013 |
| EM | 002308494-0005 | 9/2013 |
| EM | 001402770-0018 | 2/2014 |
| EM | 002406843-0001 | 2/2014 |
| EM | 002492702-0004 | 6/2014 |
| EM | 002492702-0009 | 6/2014 |
| EM | 002605352-0002 | 12/2014 |
| EM | 002605352-0003 | 12/2014 |
| EM | 002627737-0001 | 2/2015 |
| EM | 002704114-0003 | 5/2015 |
| EM | 001436034-0001 | 6/2015 |
| EM | 002767079-0010 | 9/2015 |
| EM | 002767079-0014 | 9/2015 |
| EM | 002768861-0002 | 9/2015 |
| EM | 002772236-0001 | 9/2015 |
| EM | 002772236-0002 | 9/2015 |

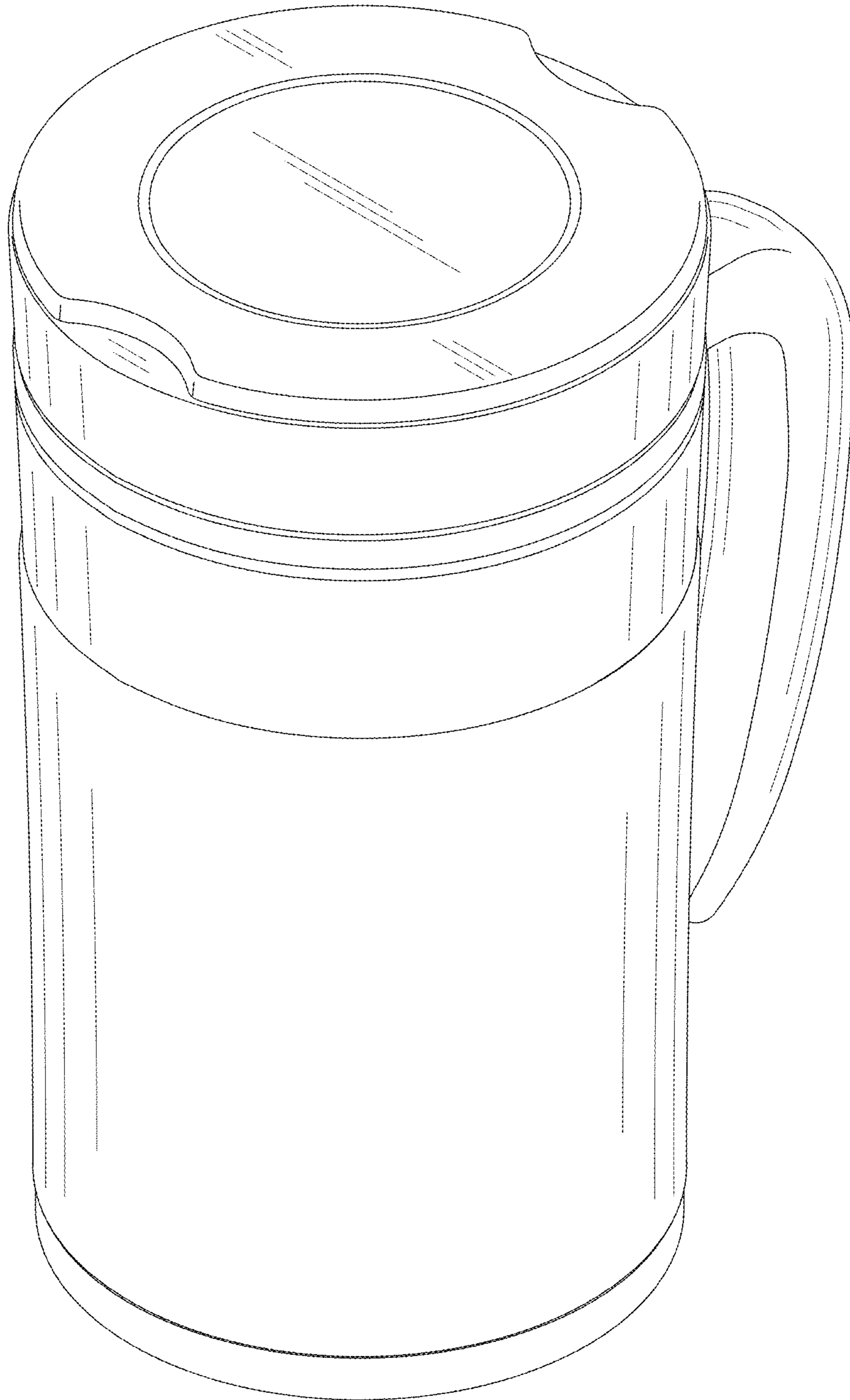
| | | |
|----|----------------|---------|
| EM | 002772236-0003 | 9/2015 |
| EM | 003012533-0009 | 3/2016 |
| EM | 003012533-0010 | 3/2016 |
| EM | 003065804-0001 | 4/2016 |
| EM | 003134683-0030 | 5/2016 |
| EM | 003165463-0001 | 6/2016 |
| EM | 003323831-0001 | 7/2016 |
| EM | 003389121-0002 | 9/2016 |
| EM | 003528504-0026 | 12/2016 |
| EM | 003860931-0005 | 4/2017 |
| EM | 003860931-0010 | 4/2017 |
| EM | 004074268-0001 | 6/2017 |
| EM | 004306504-0005 | 9/2017 |
| EM | 004306504-0006 | 9/2017 |
| EM | 004306504-0007 | 9/2017 |
| EM | 004306504-0011 | 9/2017 |
| EM | 005270048-0002 | 5/2018 |
| EM | 005632858-0001 | 9/2018 |
| EM | 006302758-0001 | 3/2019 |
| EM | 006309712-0001 | 3/2019 |
| EM | 006309712-0002 | 3/2019 |
| EM | 006541090-0002 | 5/2019 |
| ES | I0123072 | 9/1990 |
| ES | I0134390 | 2/1995 |
| GB | 4015446 | 5/2010 |
| GB | 4036194 | 7/2014 |
| GB | 6041423 | 8/2018 |
| GB | 6072378 | 10/2019 |
| HK | 1401796.4 | 9/2014 |
| WO | DM/008710-4 | 5/1987 |
| WO | DM/040721-1 | 7/1997 |
| WO | DM/045673-6 | 8/1998 |
| WO | DM/063281-1 | 11/2002 |
| WO | DM/063804-1 | 5/2003 |
| WO | DM/065375-14 | 1/2004 |
| WO | DM/065375-15 | 1/2004 |
| WO | DM/065375-16 | 1/2004 |
| WO | DM/070889-1 | 10/2008 |
| WO | DM/077471-2 | 1/2012 |
| WO | DM/078375-1 | 5/2012 |
| WO | DM/087127-3 | 7/2015 |
| WO | DM/090216-1 | 3/2016 |
| WO | DM/097787-1 | 9/2017 |

OTHER PUBLICATIONS

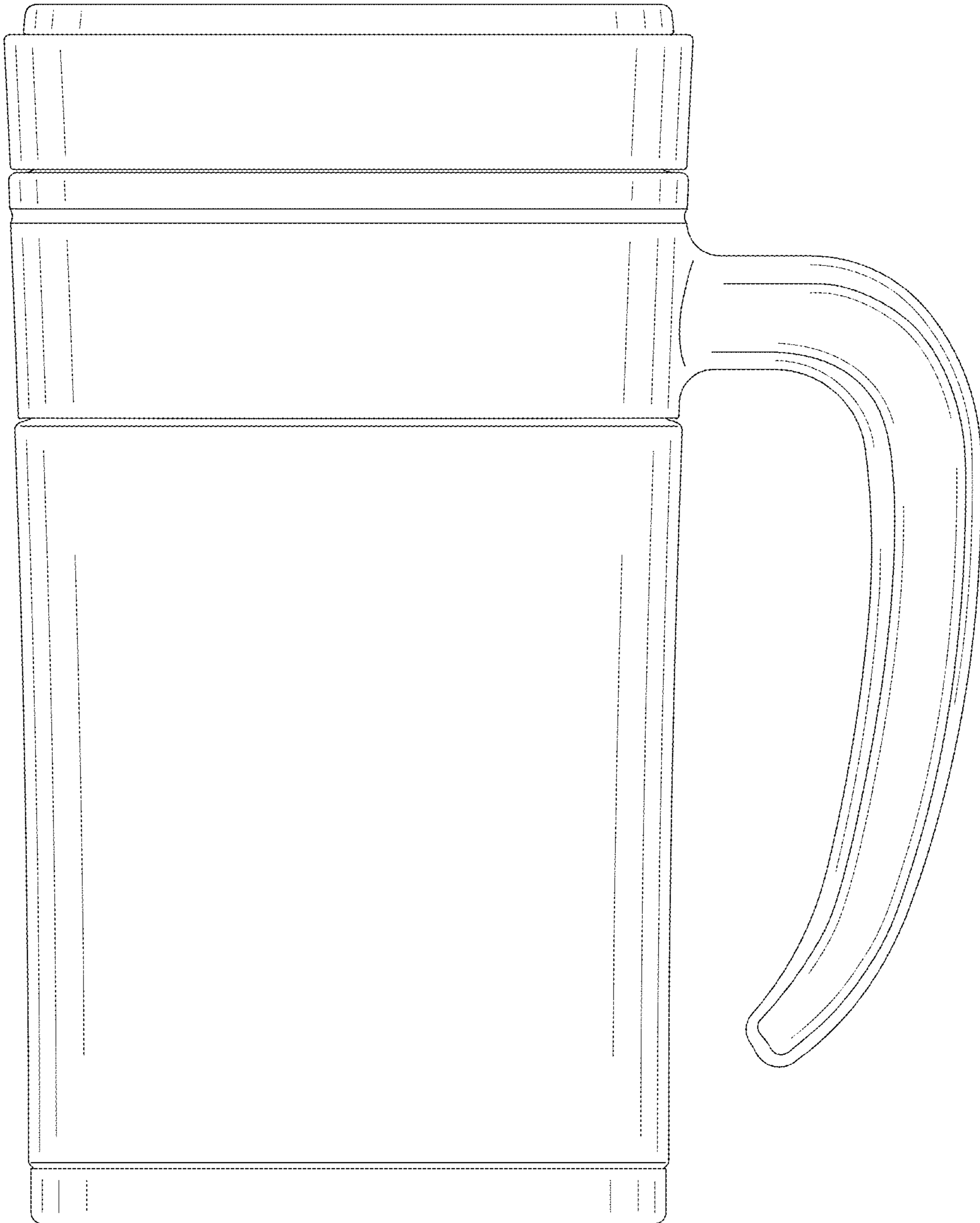
Iconiq tumbler, Oct. 8, 2019, found on Jan. 25, 2022 at <https://www.amazon.com/ICONIQ-Stainless-Insulated-Tumbler-Hinterland/dp/B07VX97BNH?th=1> (Year: 2019).*

* cited by examiner

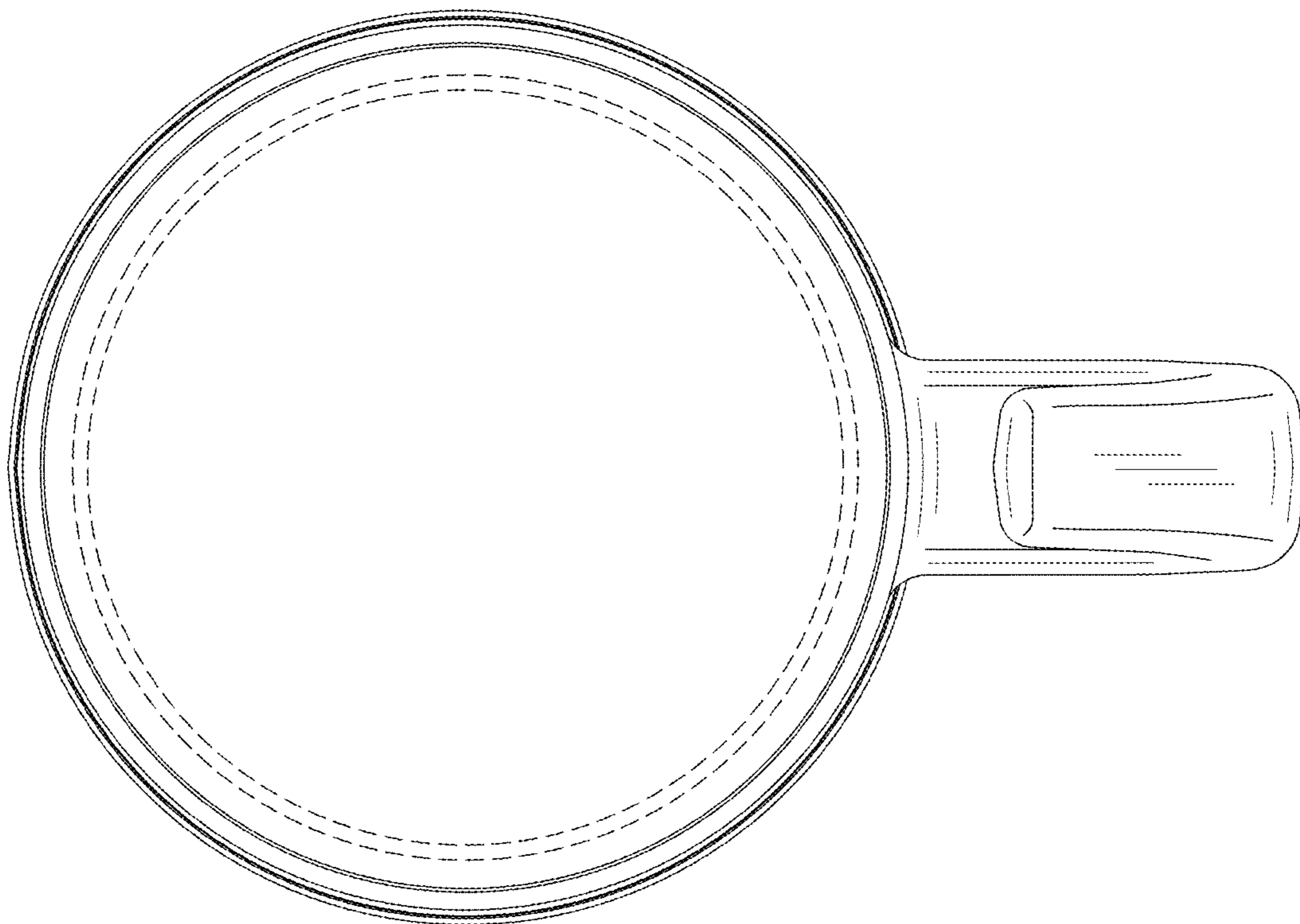
1.1



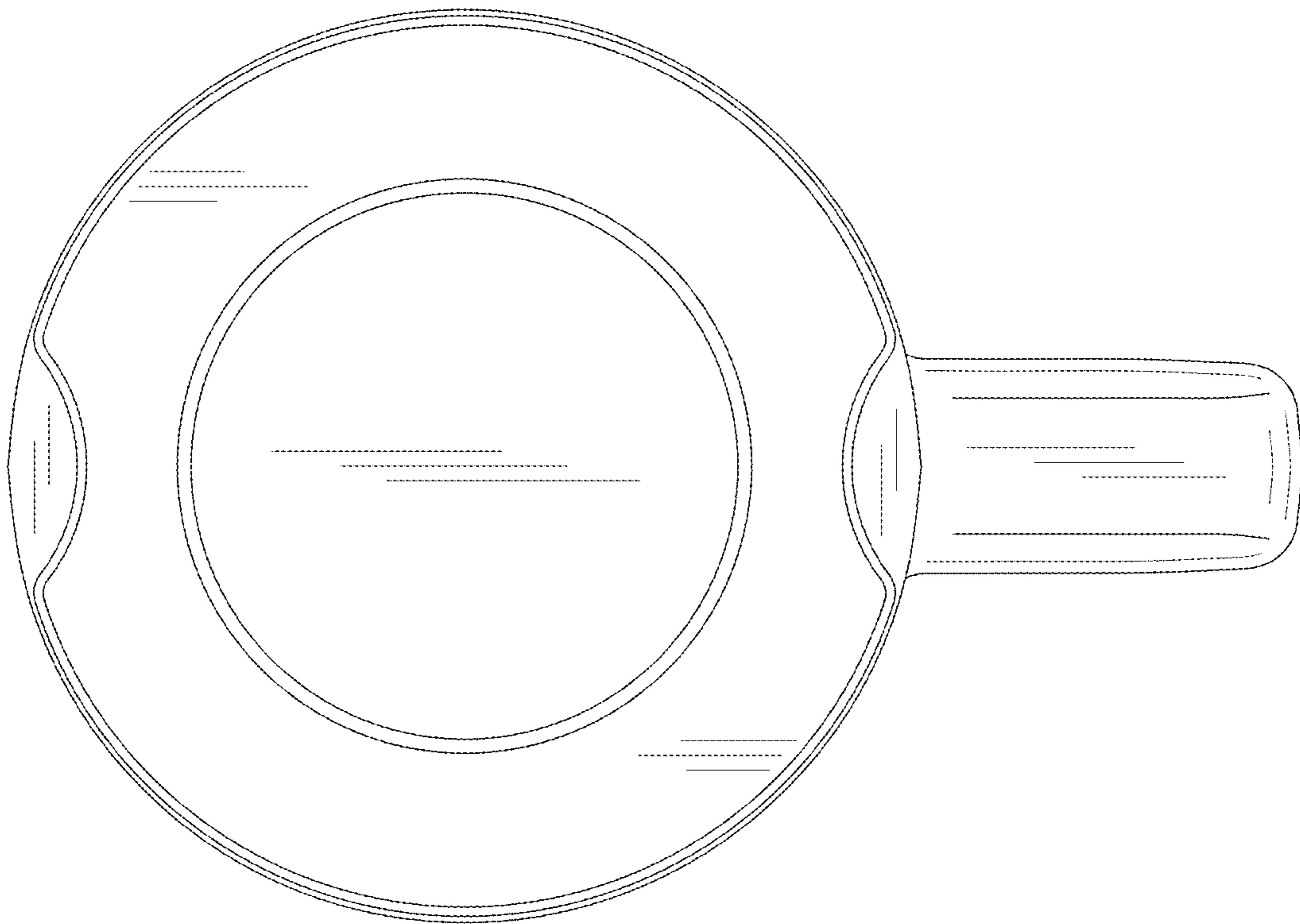
1.2



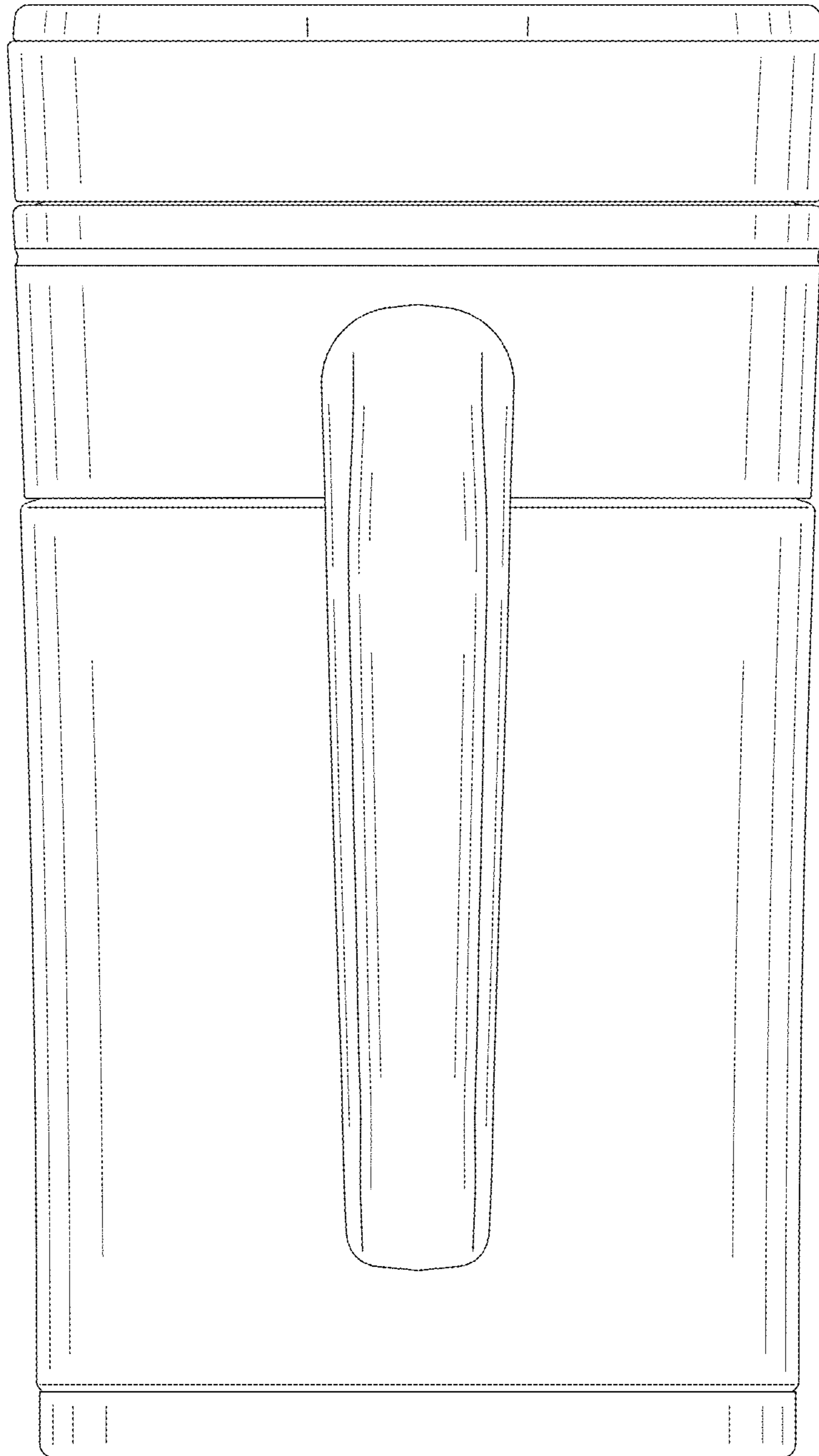
1.3



1.4



1.5



1.6

