



US00D962708S

(12) **United States Design Patent** (10) **Patent No.:** **US D962,708 S**  
**Liao** (45) **Date of Patent:** **\*\* Sep. 6, 2022**

(54) **BEER GLASS**  
(71) Applicant: **Jiping Liao**, Hunan (CN)  
(72) Inventor: **Jiping Liao**, Hunan (CN)  
(\*\*) Term: **15 Years**  
(21) Appl. No.: **29/764,157**  
(22) Filed: **Dec. 29, 2020**  
(51) **LOC (13) Cl.** ..... **07-01**  
(52) **U.S. Cl.**  
USPC ..... **D7/513**  
(58) **Field of Classification Search**  
USPC ..... D7/507, 509, 513, 523, 555, 557, 584,  
D7/602, 701, 705, 707; D11/143, 152  
CPC ..... A47G 19/22; A47G 19/2205; A47G  
19/2227; A01G 9/02  
See application file for complete search history.

D471,803 S \* 3/2003 Trombly ..... D9/737  
D515,870 S \* 2/2006 Akopyan ..... D7/513  
7,168,584 B2 \* 1/2007 Akopyan ..... A47G 19/2205  
215/6  
D553,439 S \* 10/2007 Bodum ..... D7/509  
D557,985 S \* 12/2007 Arcangeli ..... D7/541  
D696,586 S \* 12/2013 Huang ..... D9/503  
D703,067 S \* 4/2014 LoPriore ..... D9/741  
D714,588 S \* 10/2014 Cummings ..... A47G 19/2205  
D7/509  
D731,855 S \* 6/2015 Riedel ..... D7/523  
D748,432 S \* 2/2016 Kushner ..... D7/537  
D830,775 S \* 10/2018 Lewis ..... D7/510  
D887,792 S \* 6/2020 Basios ..... D9/503

(Continued)

**OTHER PUBLICATIONS**

Super Schooner | posted at Amazon.com, posted on Feb. 6, 2021 ©  
1996-2022 Amazon.com, [online], [site visited May 6, 2022].  
Available from Internet, <URL: <https://www.amazon.com/Schooner-Shatterproof-Reusable-Drinkware-Birthday/dp/B08W3HXBJC/>> (Year:  
2021).\*

*Primary Examiner* — Andrew Kerr

(56) **References Cited**

**U.S. PATENT DOCUMENTS**

1,848,331 A \* 3/1932 Esslinger ..... A47J 47/18  
15/264  
2,944,661 A \* 7/1960 Goldstein ..... A45C 11/005  
206/5  
D336,594 S \* 6/1993 Trush ..... B65D 21/0204  
D7/509  
5,242,071 A \* 9/1993 Goebel ..... B65D 21/0233  
220/4.26  
D355,735 S \* 2/1995 Shaffer ..... B65D 21/0233  
D9/503  
D395,379 S \* 6/1998 Goodman ..... B65D 21/0204  
D7/537  
D409,442 S \* 5/1999 Kilpatrick ..... B65D 21/0233  
D7/509  
6,123,214 A \* 9/2000 Goebel ..... B65D 21/0204  
220/520  
D436,803 S \* 1/2001 Addison ..... D7/509  
6,375,033 B1 \* 4/2002 Fleming ..... A47G 19/2211  
220/501

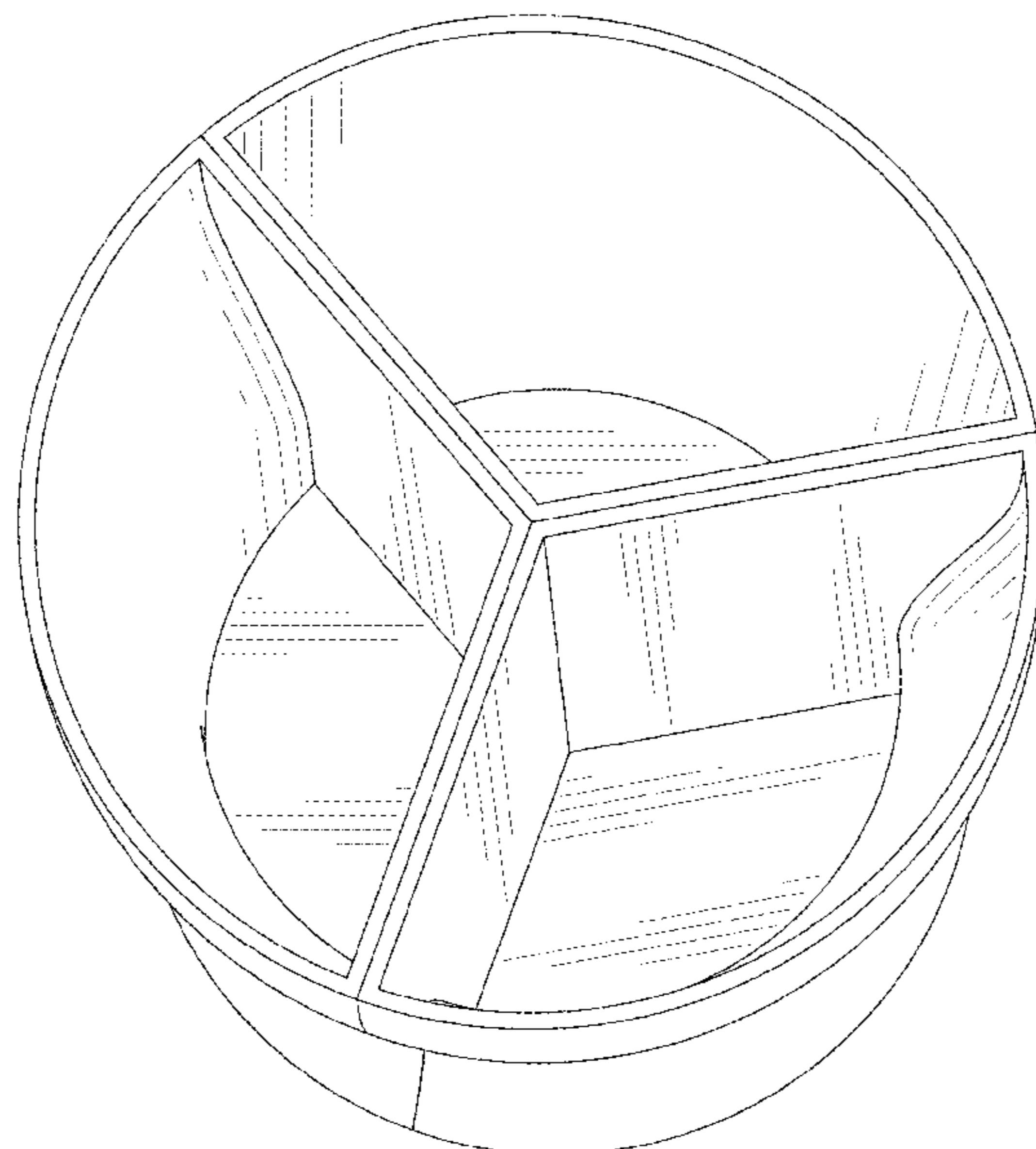
(57) **CLAIM**

The ornamental design for a beer glass, as shown and described.

**DESCRIPTION**

FIG. 1 is a front and top perspective view of a beer glass, showing my new design;  
FIG. 2 is a rear and bottom perspective view thereof;  
FIG. 3 is a front elevation view thereof;  
FIG. 4 is a rear elevation view thereof;  
FIG. 5 is a left side elevation view thereof;  
FIG. 6 is a right side elevation view thereof;  
FIG. 7 is a top plan view thereof; and,  
FIG. 8 is a bottom plan view thereof.

**1 Claim, 8 Drawing Sheets**



(56)

**References Cited**

U.S. PATENT DOCUMENTS

D899,861 S \* 10/2020 Lefkowitz ..... D7/541  
D932,899 S \* 10/2021 Calderaio ..... D9/503

\* cited by examiner

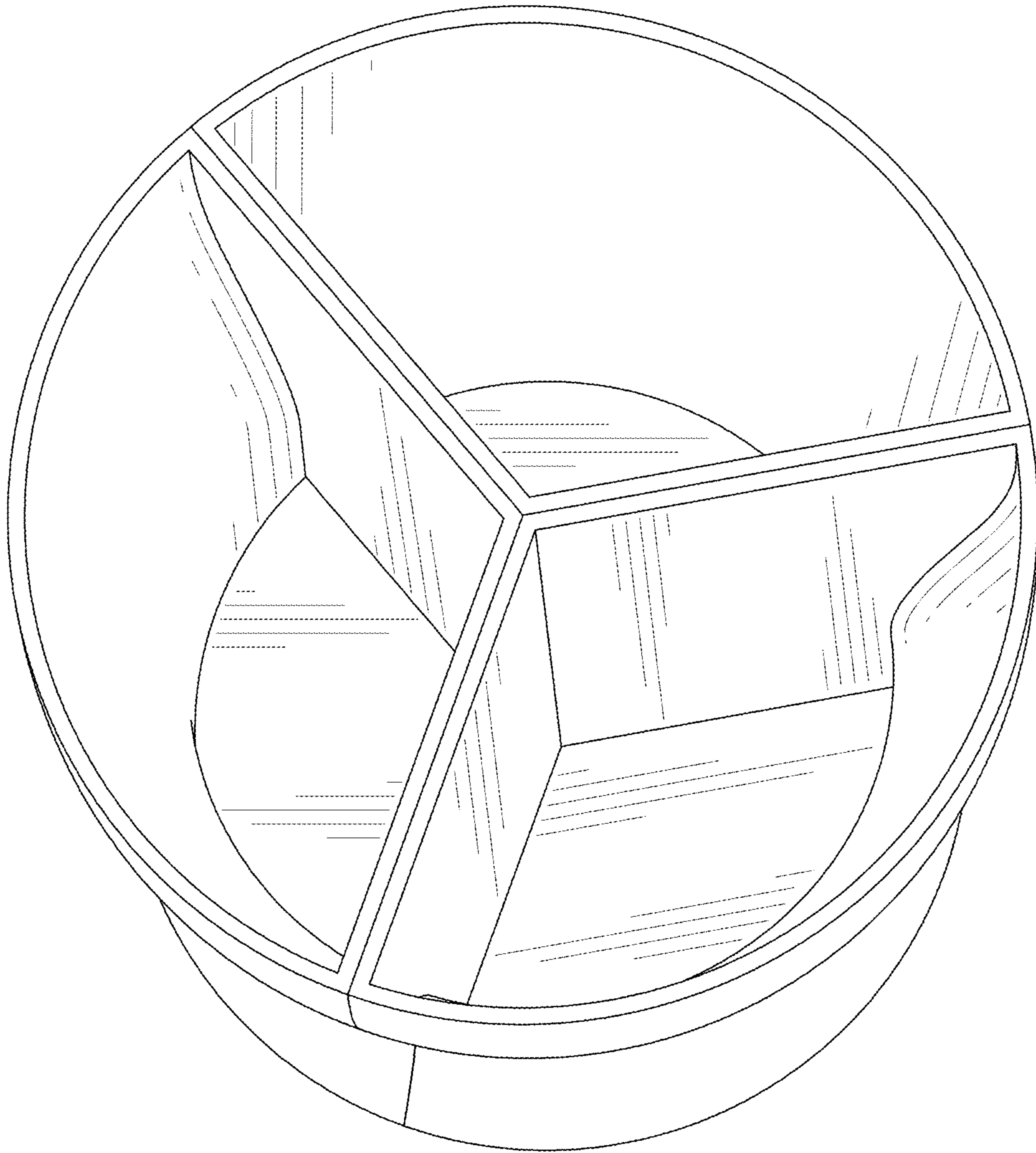


FIG. 1

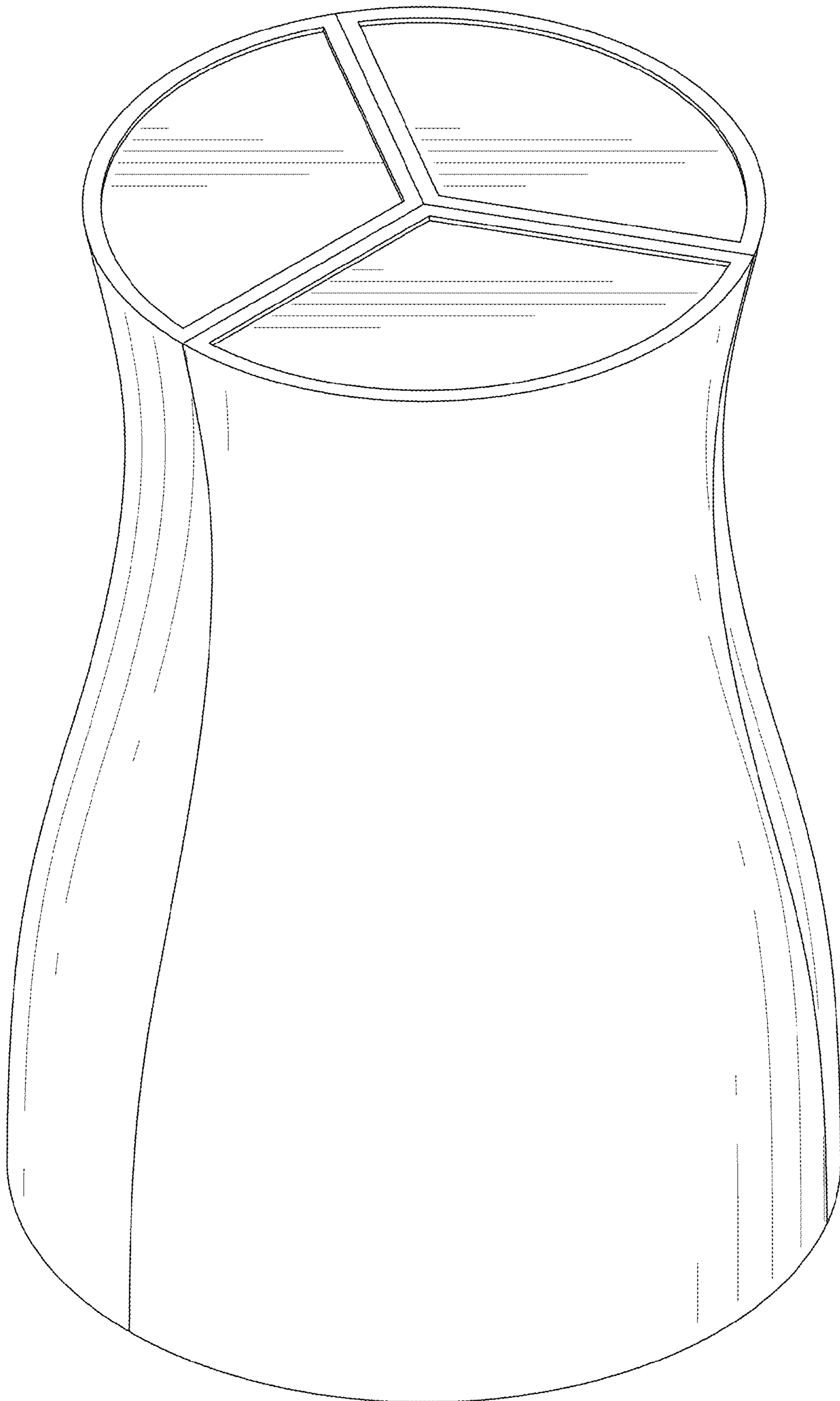


FIG. 2

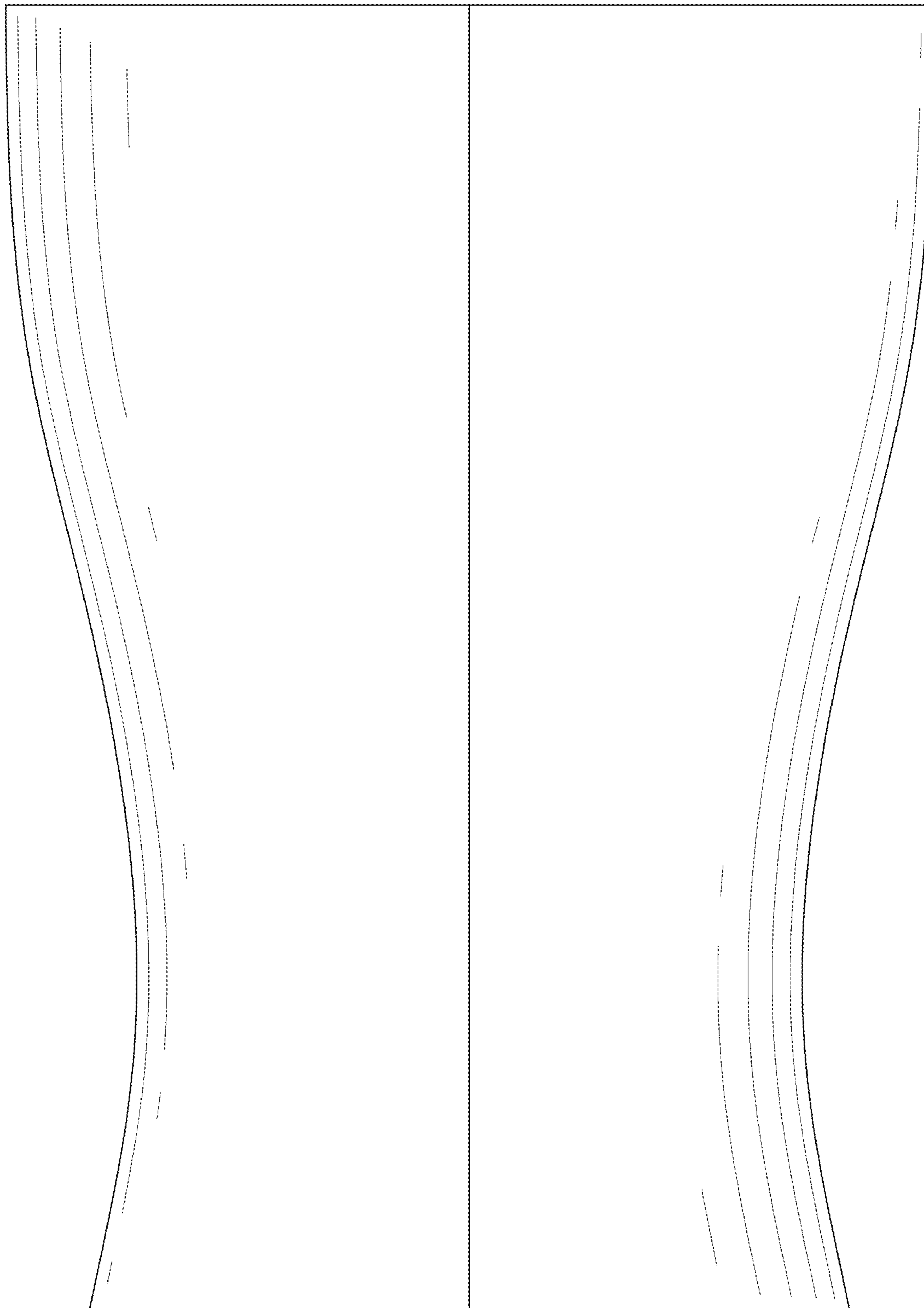


FIG. 3

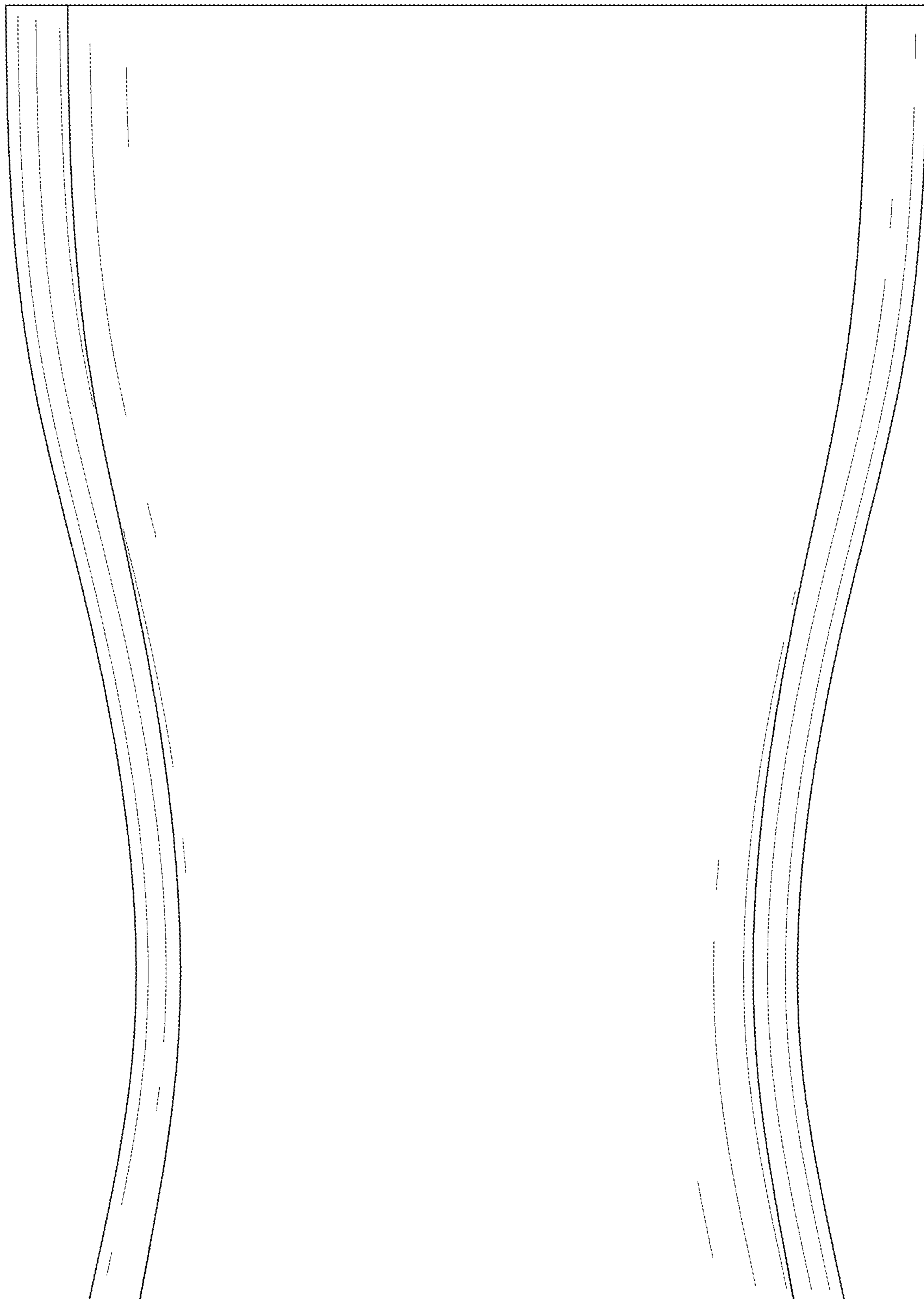


FIG. 4



FIG. 5



FIG. 6



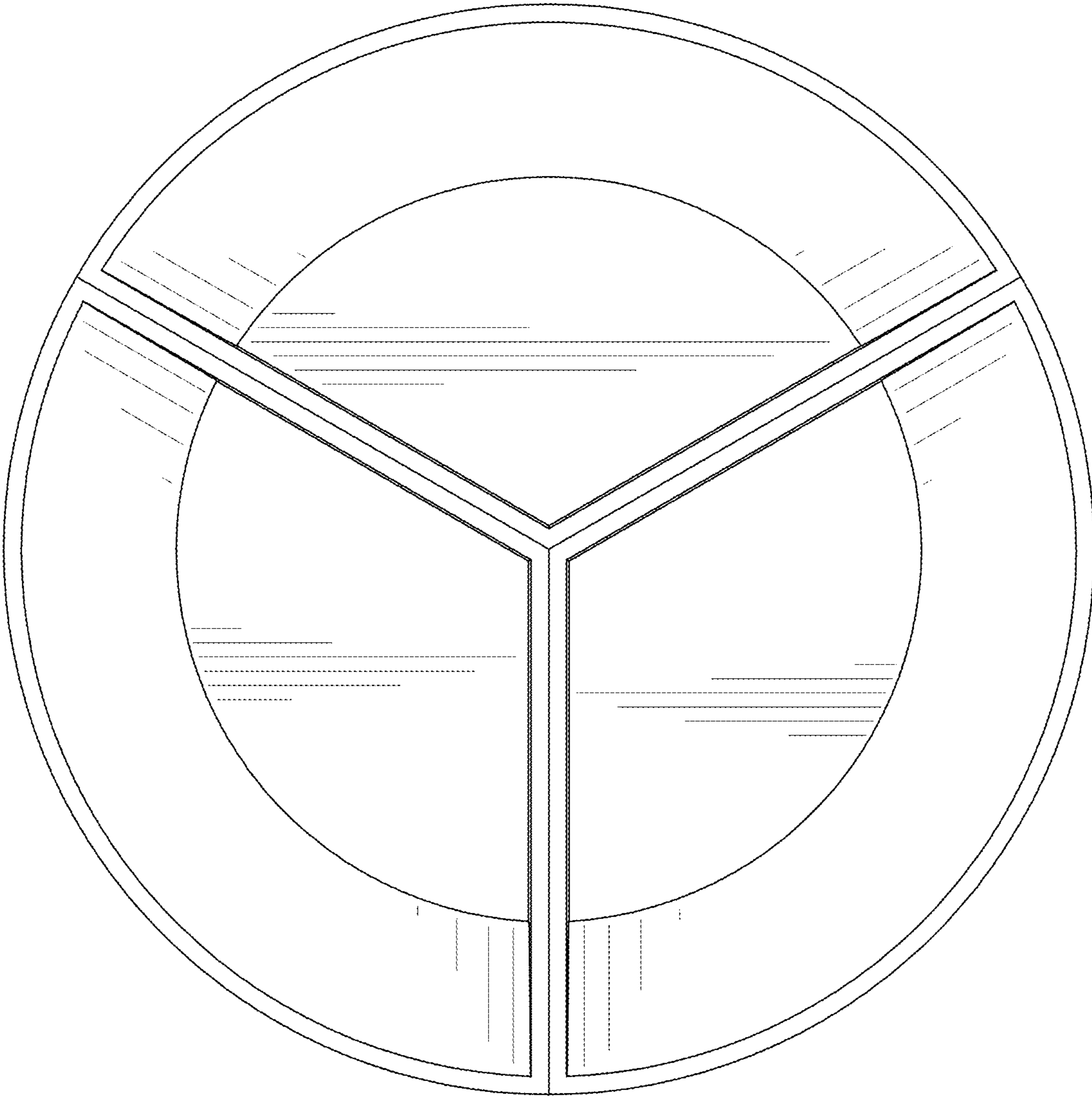


FIG. 7

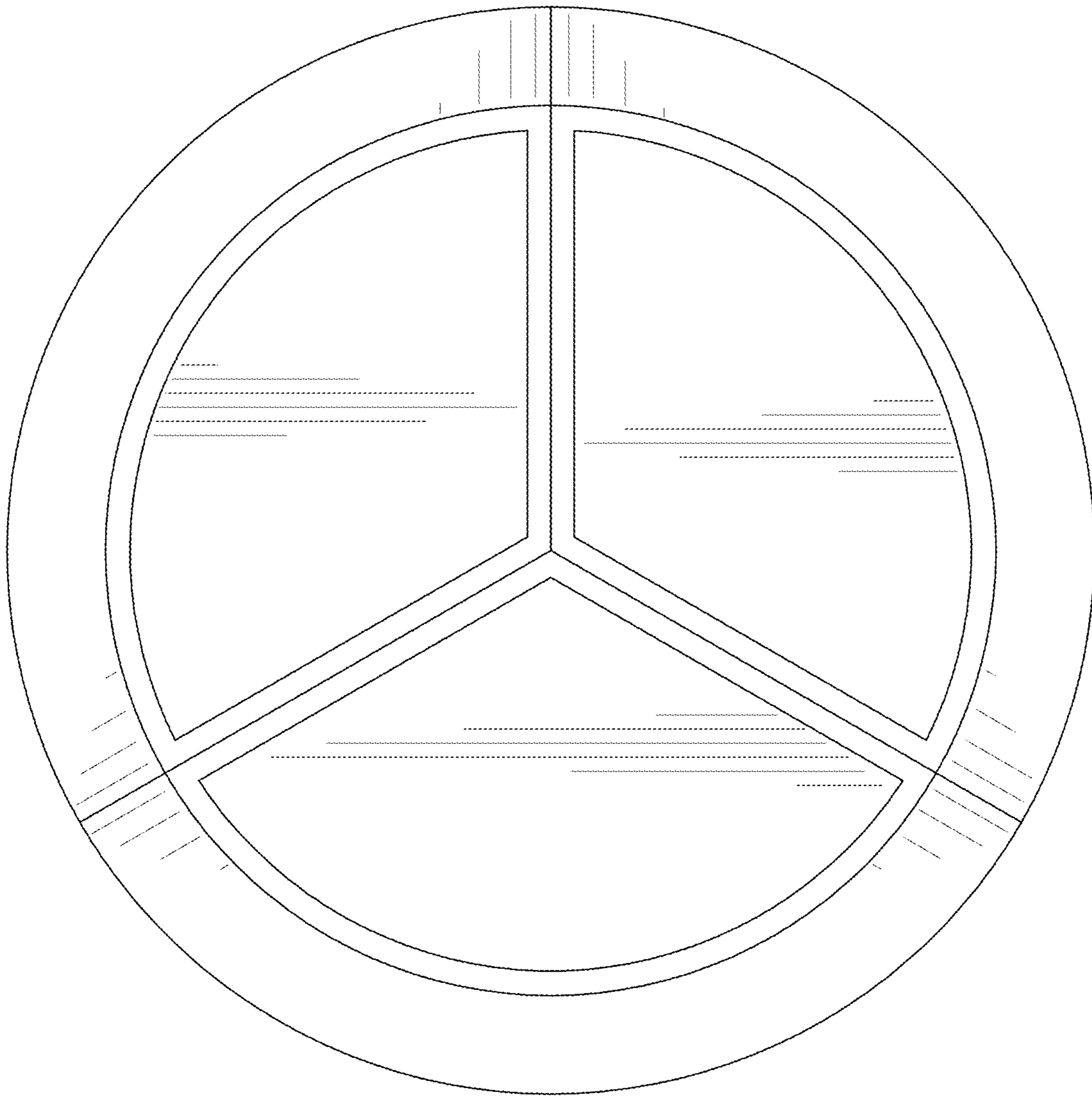


FIG. 8