



US00D962707S

(12) **United States Design Patent** (10) **Patent No.:** **US D962,707 S**  
**Lefkowitz** (45) **Date of Patent:** **\*\* Sep. 6, 2022**

(54) **GLASS WITH WEDGE**

FOREIGN PATENT DOCUMENTS

(71) Applicant: **Godinger Silver Art Ltd.**, Ridgewood, NY (US)

DE 202016104949 U1 \* 11/2016  
DE WO-D210077-002 \* 9/2020

(Continued)

(72) Inventor: **Chaim Lefkowitz**, Brooklyn, NY (US)

OTHER PUBLICATIONS

(73) Assignee: **GODINGER SILVER ART LTD.**, Ridgewood, NY (US)

Quaffer, "Split Shooters Vertically Divided Plastic Split Shot Glass," May 16, 2013, Ubuy, www.ubuy.com.bh/en/product/3OEXAKG-splitshooter-shot-glass-case-of-48 (Year: 2013).\*

(\*\*) Term: **15 Years**

(Continued)

(21) Appl. No.: **29/754,691**

(22) Filed: **Oct. 13, 2020**

*Primary Examiner* — Joseph Kukella

**Related U.S. Application Data**

*Assistant Examiner* — Arva P Adams

(63) Continuation-in-part of application No. 29/740,304, filed on Jul. 2, 2020, now Pat. No. Des. 899,861.

(74) *Attorney, Agent, or Firm* — Bochner IP, PLLC; Andrew D. Bochner

(51) **LOC (13) Cl.** ..... **07-01**

(52) **U.S. Cl.**

USPC ..... **D7/513; D7/509**

(57) **CLAIM**

(58) **Field of Classification Search**

USPC ..... D3/202; D7/300, 305, 318, 319, 392.1, D7/396.2, 900, 500, 503, 504, 507, D7/509–511, 513, 523, 536, 538, 546, D7/549, 553.1, 553.6, 555, 557, 619.1, D7/622, 701–703, 707; D9/504, 520, D9/529–533, 715, 716, 719, 738, D9/740–743, 749, 756, 761, 773, 777, D9/778, 451; D19/77, 81, 84, 85  
CPC ..... A47G 19/22; A47G 19/2205; A47G 19/2227; A47G 19/2272; A47G 19/2288; A47G 19/23; B44D 3/122  
See application file for complete search history.

The ornamental design for a glass with wedge, as shown and described.

**DESCRIPTION**

FIG. 1 is a top, front perspective view of a glass with wedge; FIG. 2 is a front view thereof; FIG. 3 is a back view thereof; FIG. 4 is a right-side view thereof; FIG. 5 is a left-side view thereof; FIG. 6 is a top view thereof; and, FIG. 7 is a bottom view thereof.

In the drawings, the evenly dashed broken lines show portions of the glass with wedge that form no part of the claimed design. The dot-dash broken lines define the bounds of the claimed design and form no part thereof.

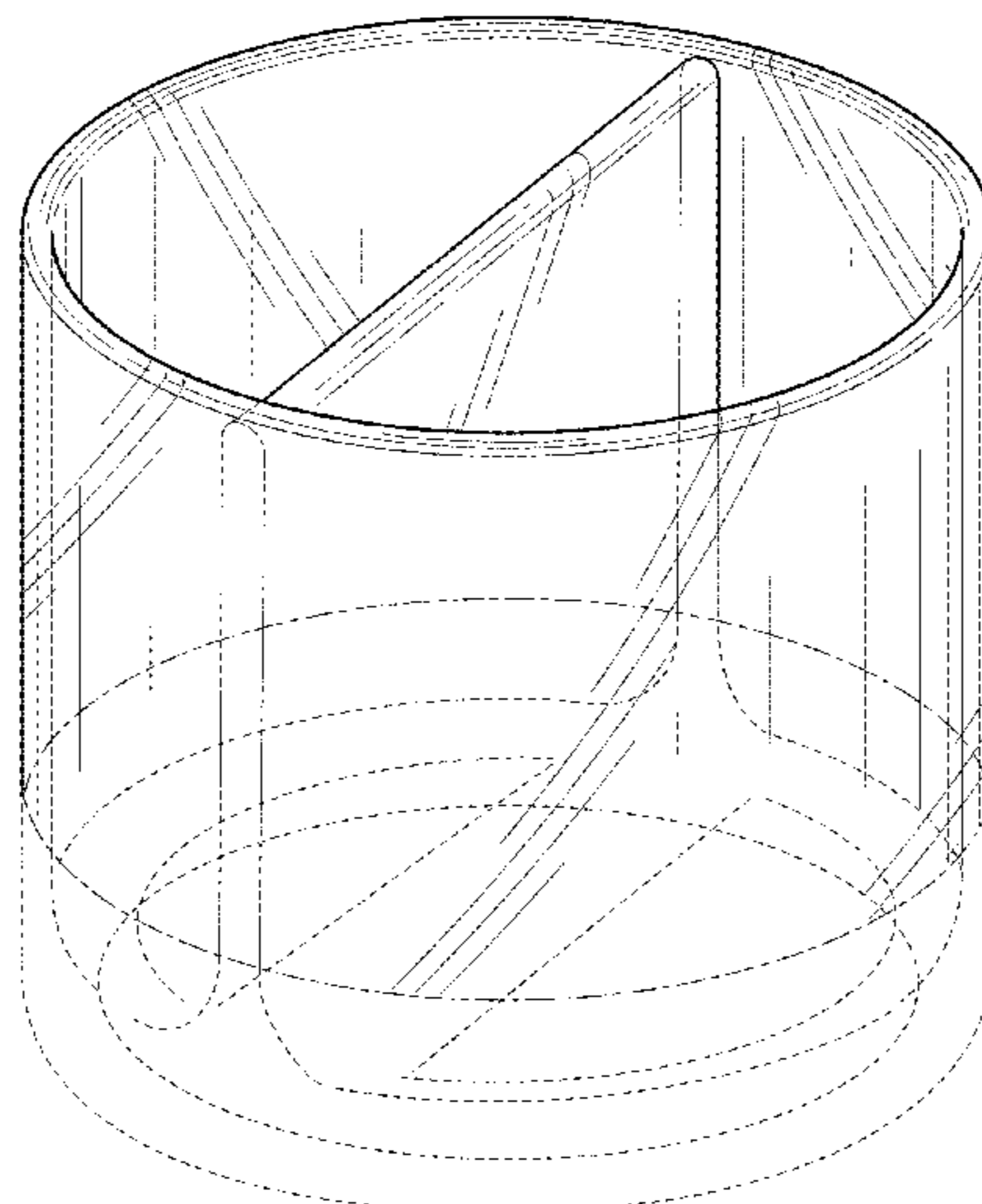
(56) **References Cited**

**U.S. PATENT DOCUMENTS**

244,883 A \* 7/1881 Gantt ..... G01F 19/002 D7/532  
1,499,473 A \* 7/1924 Price ..... A01G 9/02 47/67

(Continued)

**1 Claim, 7 Drawing Sheets**



(56)

References Cited

U.S. PATENT DOCUMENTS

1,683,271 A \* 9/1928 Thompson ..... A01G 9/02  
43/108  
1,706,334 A \* 3/1929 Toch ..... B44D 3/122  
206/219  
D118,411 S \* 1/1940 Dolgorukov ..... D19/85  
2,944,661 A \* 7/1960 Goldstein ..... A45C 11/005  
206/5  
D223,586 S \* 5/1972 Burden ..... G01F 19/002  
D7/590  
D258,796 S \* 4/1981 Paulides ..... A47G 19/23  
D7/534  
D278,521 S \* 4/1985 Baird ..... D11/143  
D405,027 S \* 2/1999 McElwain ..... D11/152  
D409,442 S \* 5/1999 Kilpatrick ..... A47G 19/2205  
D7/509  
6,123,214 A \* 9/2000 Goebel ..... B65D 21/0204  
220/520  
D471,803 S \* 3/2003 Trombly ..... D9/737  
D478,530 S \* 8/2003 Sachuk ..... D11/143  
D480,601 S \* 10/2003 Pettaweebuncha ..... D7/509  
D511,546 S \* 11/2005 Trombly ..... D19/85  
7,090,072 B1 \* 8/2006 Elliott ..... B44D 3/122  
220/736  
7,155,860 B1 \* 1/2007 Ferguson, III ..... A01G 9/02  
248/219.4  
D557,985 S \* 12/2007 Arcangeli ..... D7/541  
D577,258 S \* 9/2008 Mansfield ..... D7/509  
D714,588 S \* 10/2014 Cummings ..... B44D 3/122  
D7/509  
D736,565 S \* 8/2015 Wright ..... B01D 35/027  
D7/541  
D784,137 S \* 4/2017 Cates ..... F21S 13/12  
422/126  
D795,705 S \* 8/2017 Huang ..... A01G 9/02  
43/108  
D798,739 S \* 10/2017 Reaux ..... A01G 9/02  
248/219.4  
D830,775 S \* 10/2018 Lewis ..... D11/143

D842,655 S \* 3/2019 Bentzen ..... D11/152  
D861,433 S \* 10/2019 Busch ..... A01G 9/02  
47/67  
2002/0102187 A1 \* 8/2002 Bellenger ..... F21S 13/12  
422/126  
2004/0007514 A1 \* 1/2004 Milne ..... B01D 35/027  
210/473  
2009/0127263 A1 \* 5/2009 Hylton ..... A47G 19/23  
220/507  
2009/0188929 A1 \* 7/2009 Sims ..... A47G 19/2205  
220/500  
2018/0134451 A1 \* 5/2018 Chen ..... B65D 25/04  
D11/143

FOREIGN PATENT DOCUMENTS

KR 300690432.0000 \* 4/2013  
KR 300915471.0000 \* 7/2017  
KR 301034083.0000 \* 11/2019

OTHER PUBLICATIONS

Corkcicle, "Corkcicle Whiskey Wedge," Aug. 7, 2014, Amazon.com, [www.amazon.com/Corkcicle-Whiskey-Wedge-Fashioned-Silicone/dp/B00MYSQ9GA](http://www.amazon.com/Corkcicle-Whiskey-Wedge-Fashioned-Silicone/dp/B00MYSQ9GA) (Year: 2014).\*

Blessingsbyrenee, "CARAFE Water Cup With Two-Compartment Pill Box Inside The Cap Review," Mar. 27, 2014, Blessingsbyrenee, <https://blessingsbyrenee.wordpress.com/2014/03/27/566/> (Year: 2014).\*

Vat19, "Slot Shots are Divided Shot Glasses," Nov. 25, 2014, YouTube, [www.youtube.com/watch?v=vLjY6y89LC0](http://www.youtube.com/watch?v=vLjY6y89LC0) (Year: 2014).\*

RumChata, "Cinnamon Toast Shot-A-Chata," Sep. 18, 2017, YouTube, [www.youtube.com/watch?v=G-jJEFU\\_6HU](http://www.youtube.com/watch?v=G-jJEFU_6HU) (Year: 2017).\*

Minda Bamboo& Wood Industry, "Bamboo Salt and Pepper Box," Aug. 17, 2020, Amazon.com, [www.amazon.com/dp/B089NC62K6/](http://www.amazon.com/dp/B089NC62K6/) (Year: 2020).\*

Amazon.com, "Paddywax Candles YY1002Z Yin & Yang Collection Scented Candle," Jul. 24, 2020, [www.amazon.com/Paddywax-Candles-YY1002Z-Collection-11-Ounce/dp/B08DLPWFVW?th=1](http://www.amazon.com/Paddywax-Candles-YY1002Z-Collection-11-Ounce/dp/B08DLPWFVW?th=1) (Year: 2020).\*

\* cited by examiner

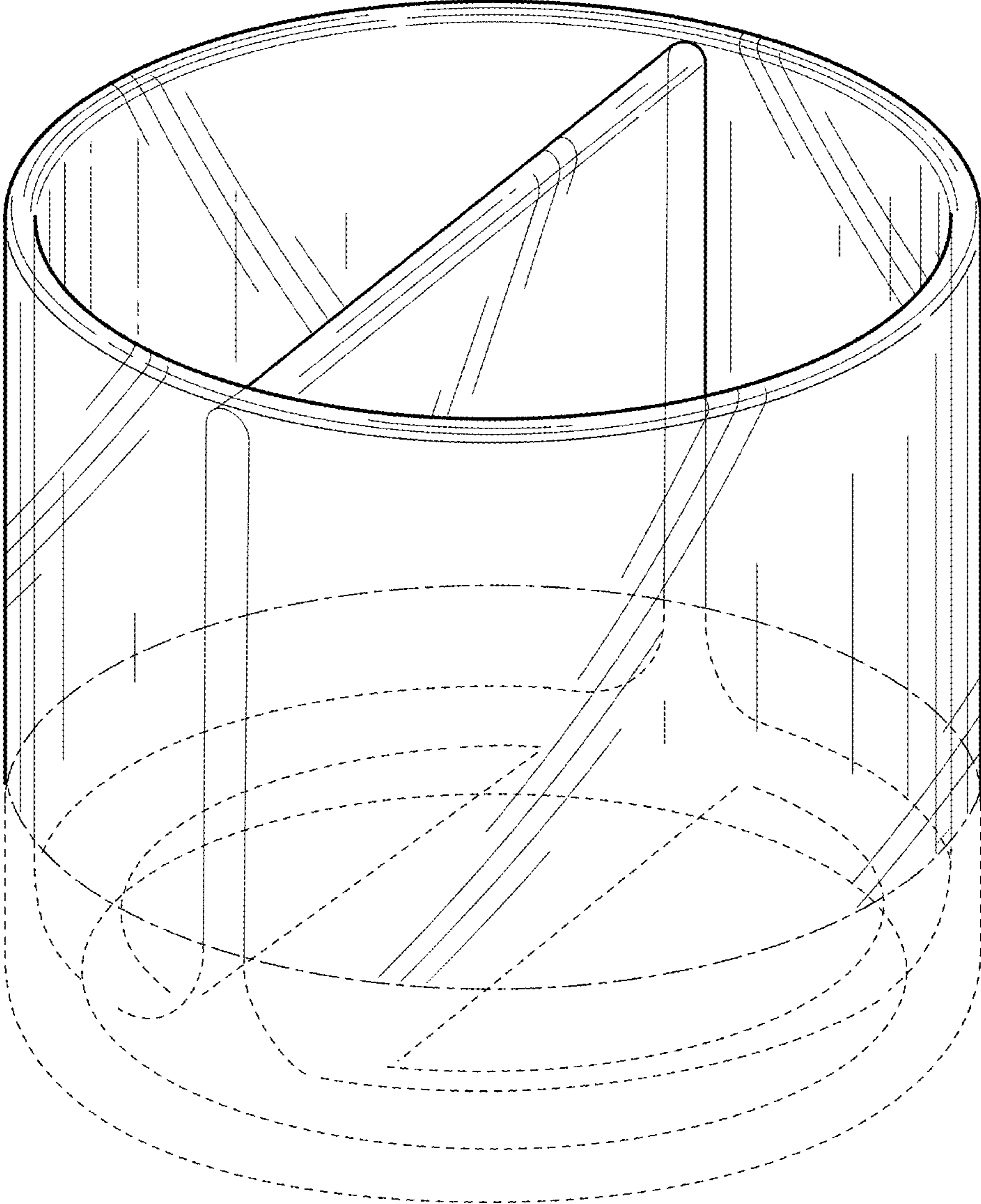


FIG. 1

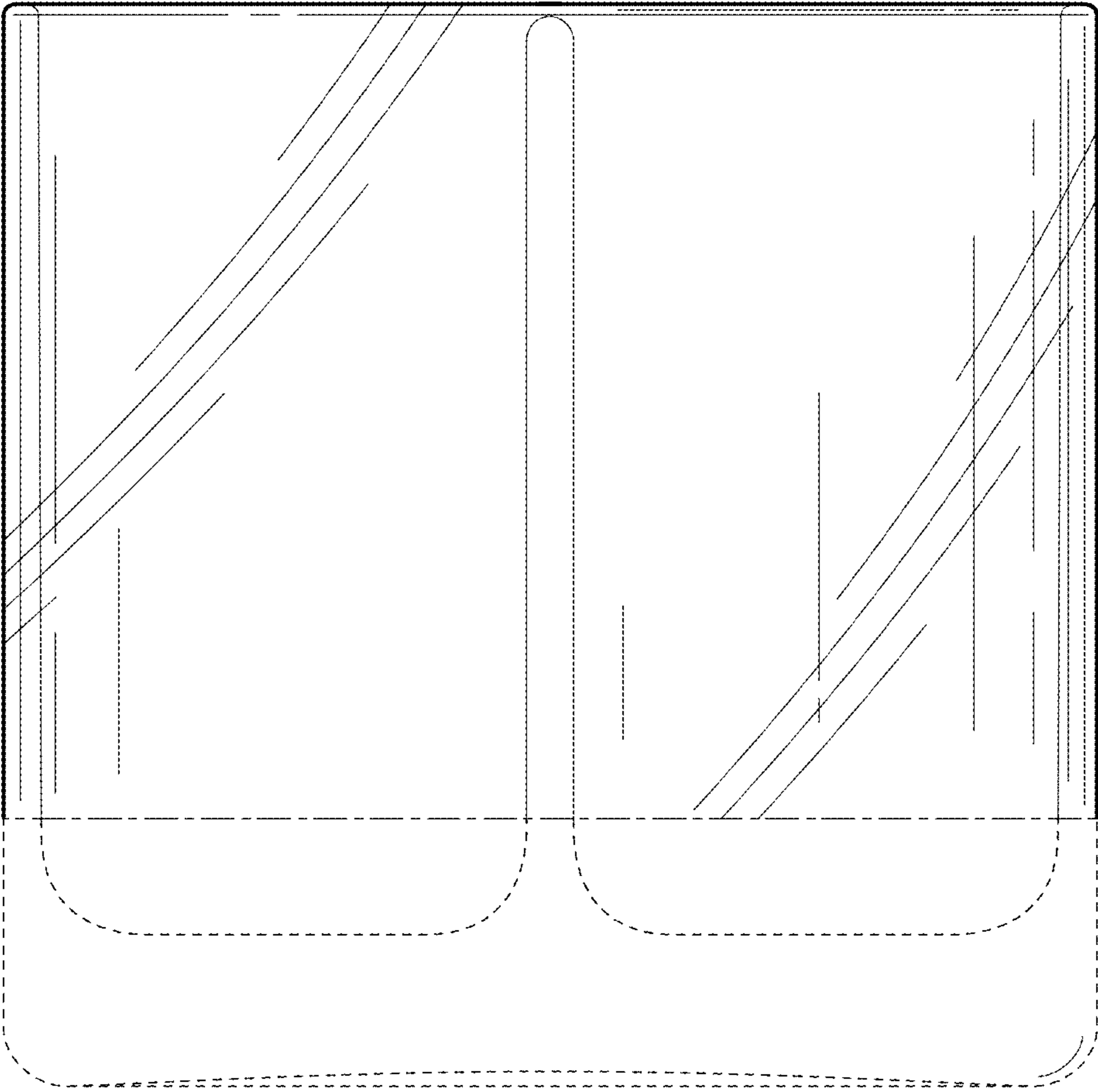


FIG. 2

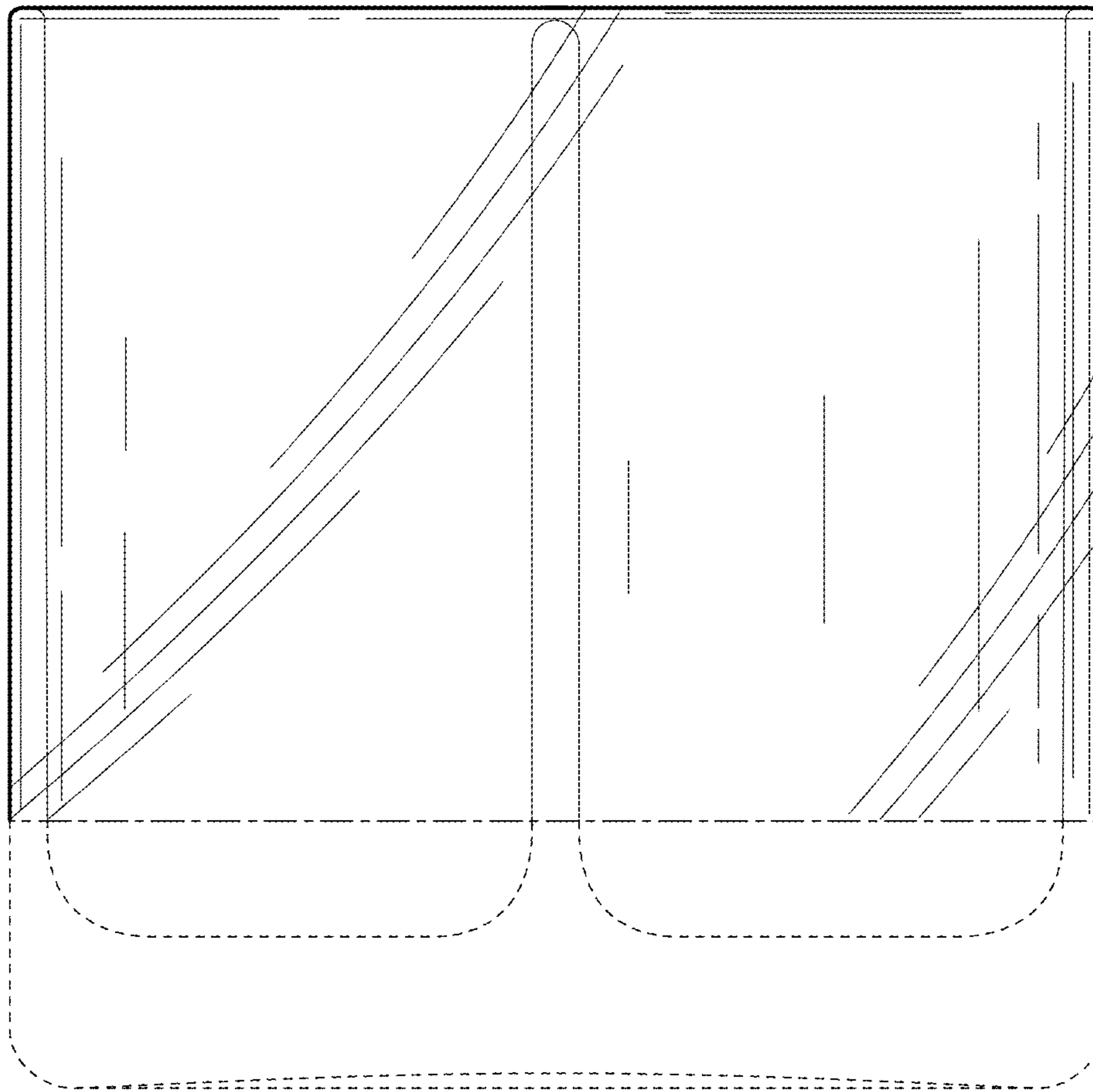


FIG. 3

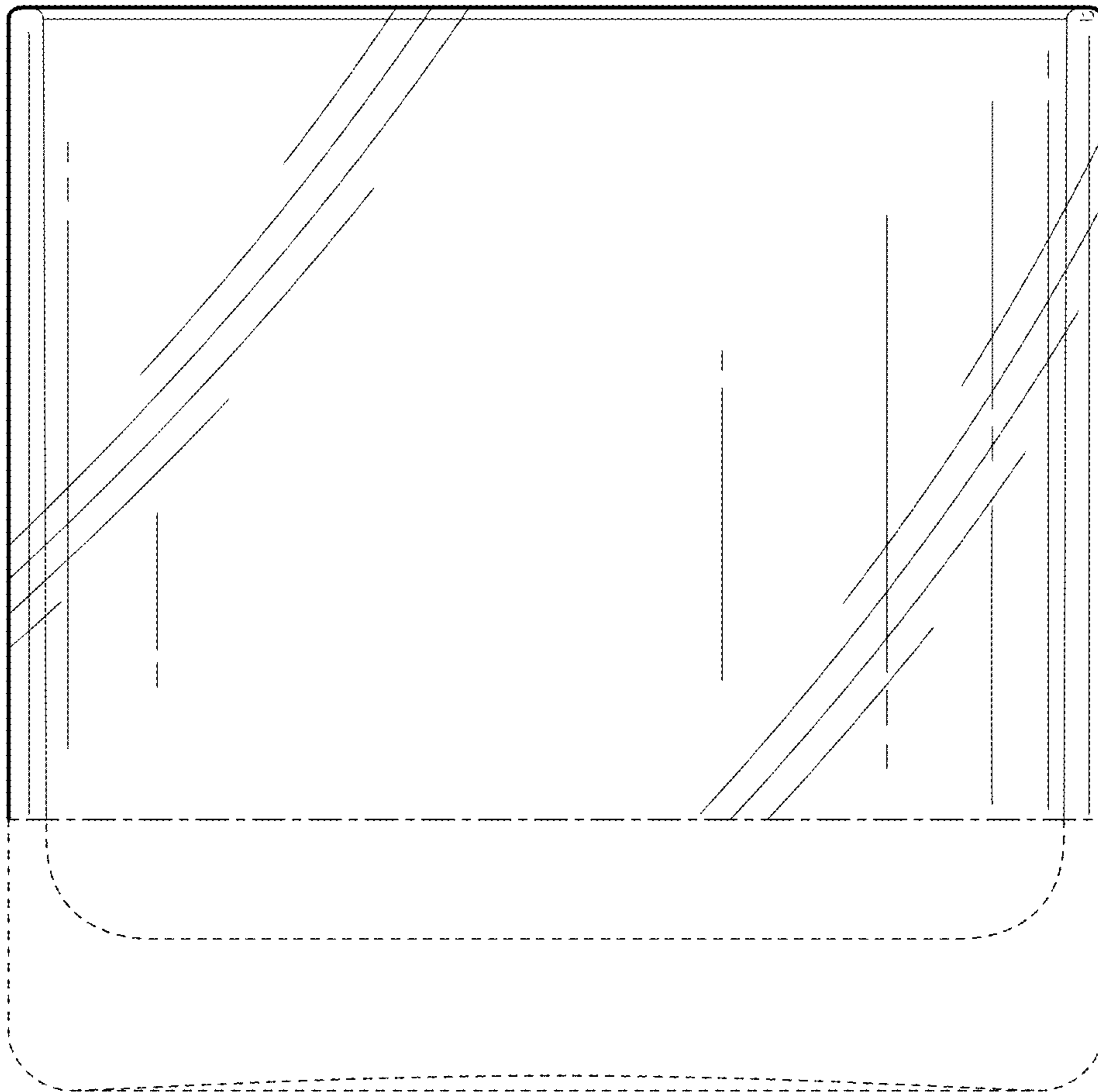


FIG. 4

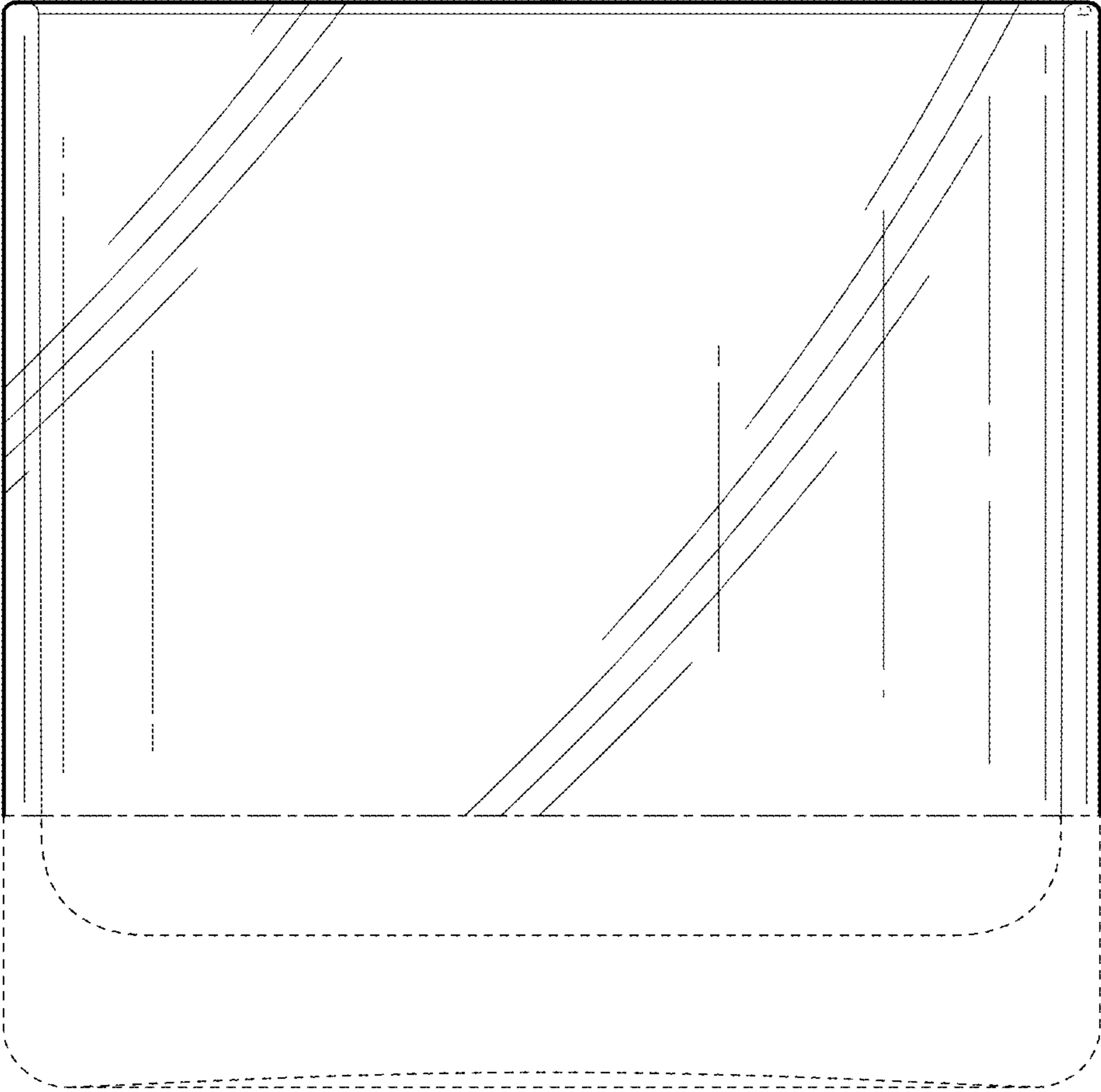


FIG. 5

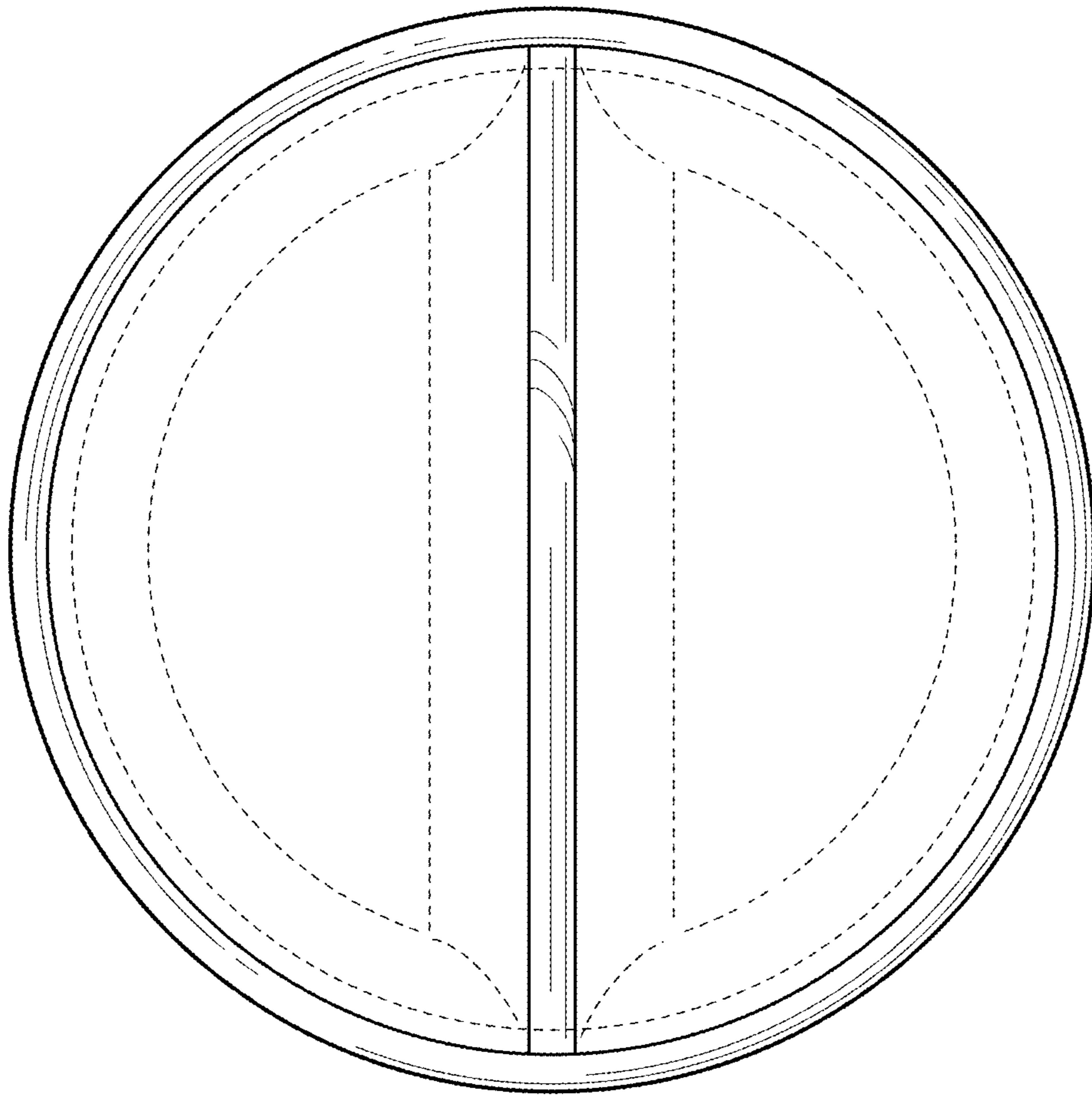


FIG. 6



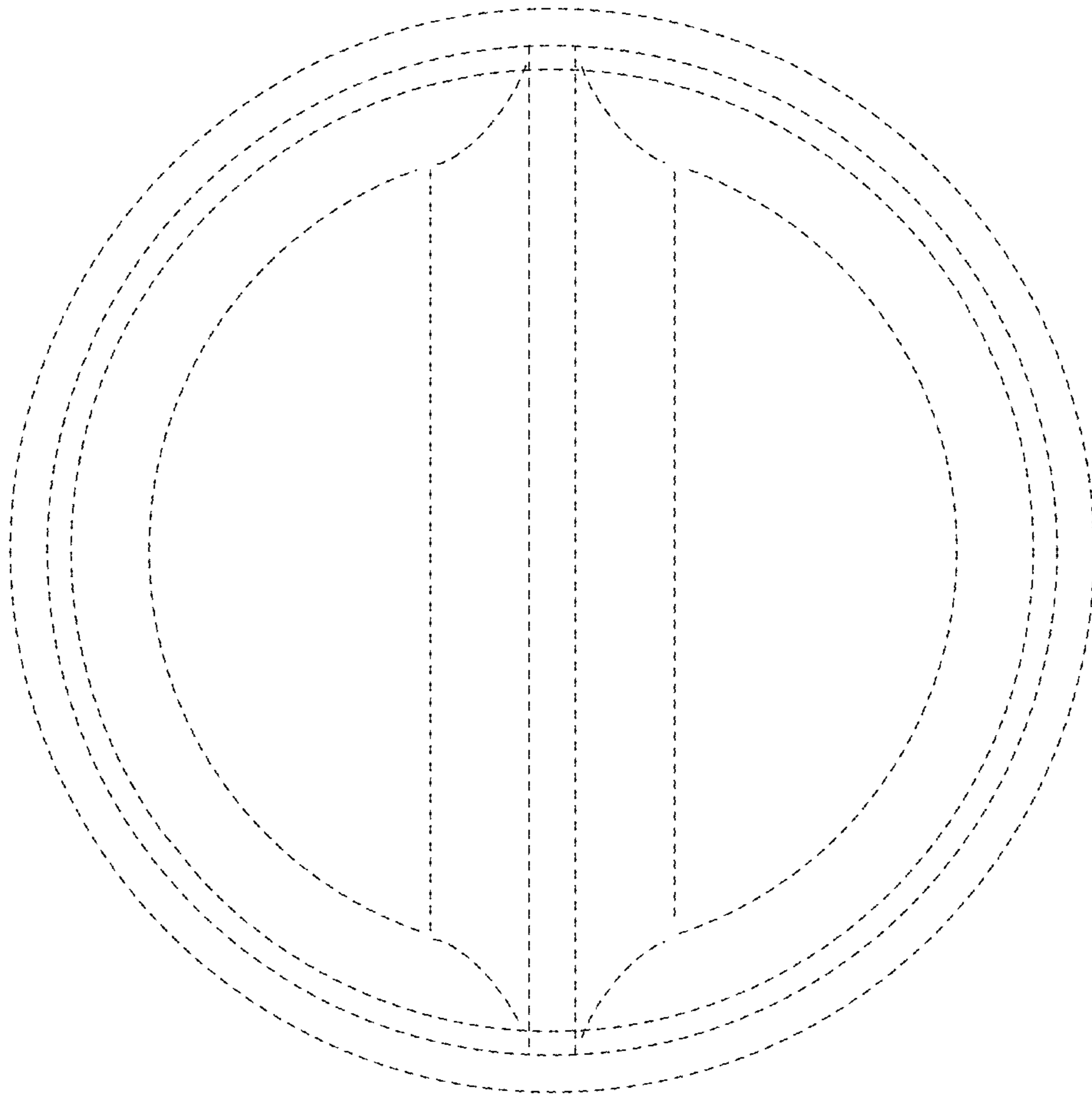


FIG. 7