



US00D962705S

(12) **United States Design Patent**
Zhou et al.

(10) **Patent No.:** **US D962,705 S**

(45) **Date of Patent:** **** Sep. 6, 2022**

(54) **SILICONE SPORTS WATER CUP**

(71) Applicant: **Shanghai Wenshan Industrial Co., Ltd.**, Shanghai (CN)

(72) Inventors: **Zixuan Zhou**, Anhui (CN); **Hui Jin**, Anhui (CN)

(**) Term: **15 Years**

(21) Appl. No.: **29/751,057**

(22) Filed: **Sep. 18, 2020**

(30) **Foreign Application Priority Data**

Jul. 7, 2020 (CN) 202030361260.8

(51) **LOC (13) Cl.** **07-01**

(52) **U.S. Cl.**

USPC **D7/511**; D7/510

(58) **Field of Classification Search**

USPC D7/507, 509, 510, 511, 523, 533, 536,
D7/392.1, 396.1, 396.2, 608, 300.1, 598,
D7/600, 532, 900; D9/443, 446, 449;
D3/202; D29/125, 126; 220/713, 715

CPC B65D 1/40; B65D 21/086; A47G 21/18;
A47G 19/22; A47G 19/2288; A47G
19/2205; A45F 2003/205; A47J 41/0055;
A47J 41/0022; A47J 41/00; A47J
41/0077; A47J 41/0088; Y10S 220/903

See application file for complete search history.

(56) **References Cited**

U.S. PATENT DOCUMENTS

D355,367 S * 2/1995 Rokus D9/531
D563,791 S * 3/2008 Kleckauskas D9/531
D624,822 S * 10/2010 Lovelace, Jr. D9/540
D651,854 S * 1/2012 Cabados D7/511
D686,501 S * 7/2013 Maas D9/531
D719,028 S * 12/2014 Tiet D9/531
D726,018 S * 4/2015 Archer D9/531
D750,434 S * 3/2016 Kirkpatrick D7/510

D793,164 S * 8/2017 Charlton D7/510
D805,846 S * 12/2017 Kirkpatrick D7/510
D816,410 S * 5/2018 Yu D7/510
D838,598 S * 1/2019 Melkonian D9/531
D856,085 S * 8/2019 Archer D7/510

(Continued)

FOREIGN PATENT DOCUMENTS

CN 305740270 * 4/2020
CN 306103442 * 10/2020

(Continued)

OTHER PUBLICATIONS

SLUXKE [online] URL: <https://www.amazon.com/SLUXKE-Portable-Fitness-Motivational-Leak-Proof/dp/B07NZ6LMC7> (site visited: Jan. 20, 2022) (Year: 2019).*

(Continued)

Primary Examiner — Jae Liang

Assistant Examiner — Tia Ruth-Renee Polidori

(74) *Attorney, Agent, or Firm* — Prakash Nama; Global IP Services, PLLC

(57) **CLAIM**

The ornamental design for a silicone sports water cup, as shown and described.

DESCRIPTION

FIG. 1 is a perspective view of a silicone sports water cup showing our new design;

FIG. 2 is a rear elevational view thereof;

FIG. 3 is a left side view thereof;

FIG. 4 is a front elevational view thereof;

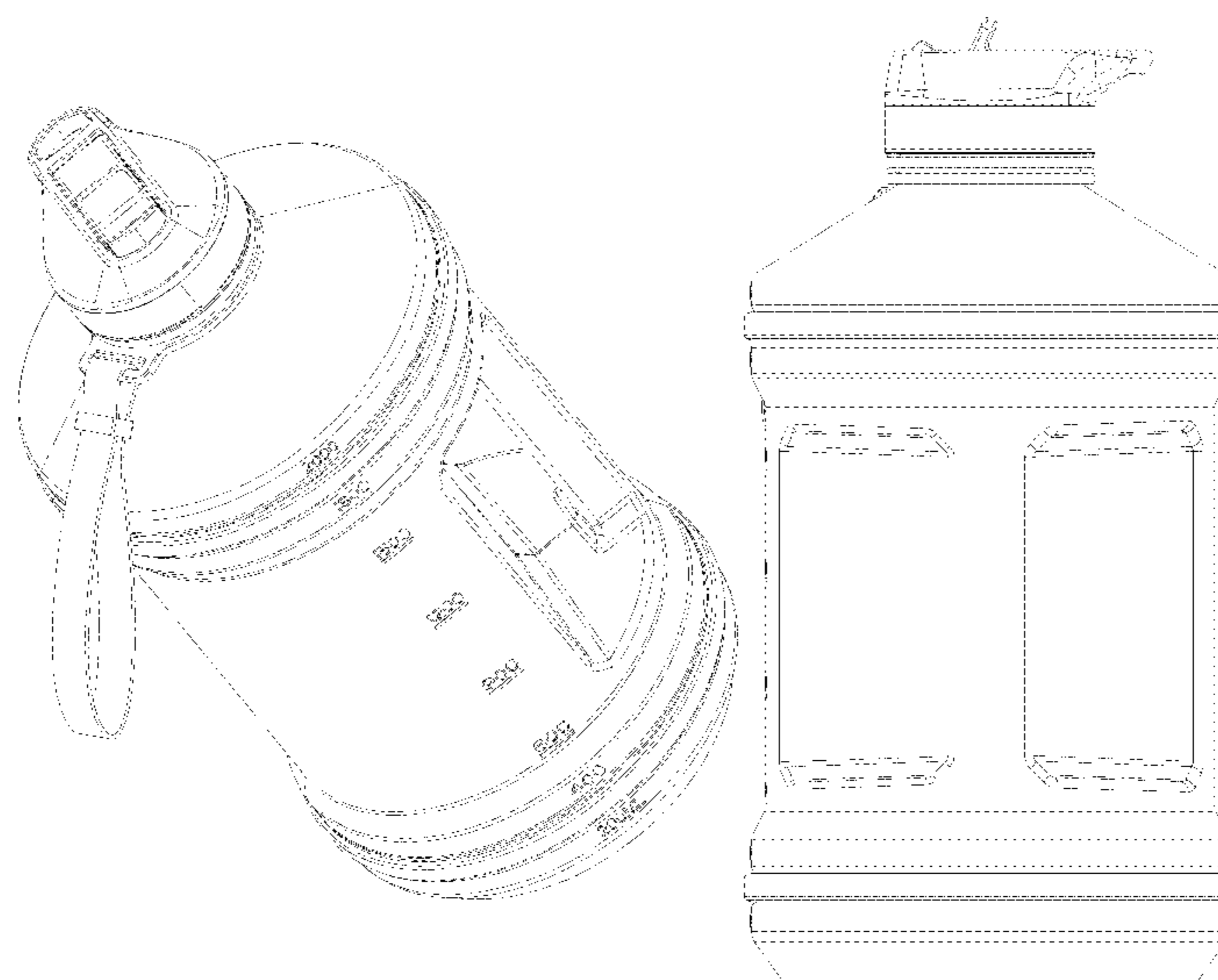
FIG. 5 is a right side view thereof;

FIG. 6 is a top plan view thereof; and,

FIG. 7 is a bottom plan view thereof.

Portions of the silicone sports water cup shown in broken lines form no part of the claimed design.

1 Claim, 7 Drawing Sheets



(56)

References Cited

U.S. PATENT DOCUMENTS

D871,845 S * 1/2020 Huang D7/510
 D872,534 S * 1/2020 Peng D7/510
 D881,647 S * 4/2020 Wang D7/510
 D887,212 S * 6/2020 Wang D7/511
 D889,910 S * 7/2020 Wang D7/511
 D892,556 S * 8/2020 Wang D7/510
 D892,561 S * 8/2020 Wang D7/511
 D893,262 S * 8/2020 Wang D7/511
 D893,956 S * 8/2020 Wang D7/536
 D902,655 S * 11/2020 Wang D7/510
 D909,815 S * 2/2021 Gui D7/510
 D912,518 S * 3/2021 Peng D9/531
 D933,425 S * 10/2021 Hao D7/536
 D937,625 S * 12/2021 Huang D7/392.1
 D939,355 S * 12/2021 Li D9/531
 D942,211 S * 2/2022 Backs D7/392.1
 D948,280 S * 4/2022 Beckwith D7/392.1
 D949,628 S * 4/2022 Xia D7/510
 D949,629 S * 4/2022 Xia D7/510

FOREIGN PATENT DOCUMENTS

CN 307388110 * 6/2022
 GB 6094154 * 7/2020
 GB 6094160 * 7/2020
 GB 6176951 * 11/2021

OTHER PUBLICATIONS

FUNUS [online] URL: <https://www.amazon.com/FUNUS-Leakproof-Storage-Reusable-Fitness/dp/B092QR6DVF> (site visited: Jan. 20, 2022) (Year: 2020).*

QuiFit [online] URL: <https://www.amazon.com/dp/B08FYBV3VN> (site visited: May 3, 2022) (Year: 2020).*

BPAYDHely [online] URL: <https://www.walmart.ca/en/ip/Large-1-Gallon-Water-Bottle-with-Straw-Lid-BPAYDHely-Free-Water-Jug-Hydration-with-Motivational-Time-Marker-Reminder/PRD6C39L74U1K9Z> (site visited: Jun. 24, 2022) (Year: 2022).*

Global Resources [online] URL: https://www.globalsources.com/product/sport-water-bottle_1177558710f.htm (site visited: Jun. 24, 2022) (Year: 2022).*

* cited by examiner

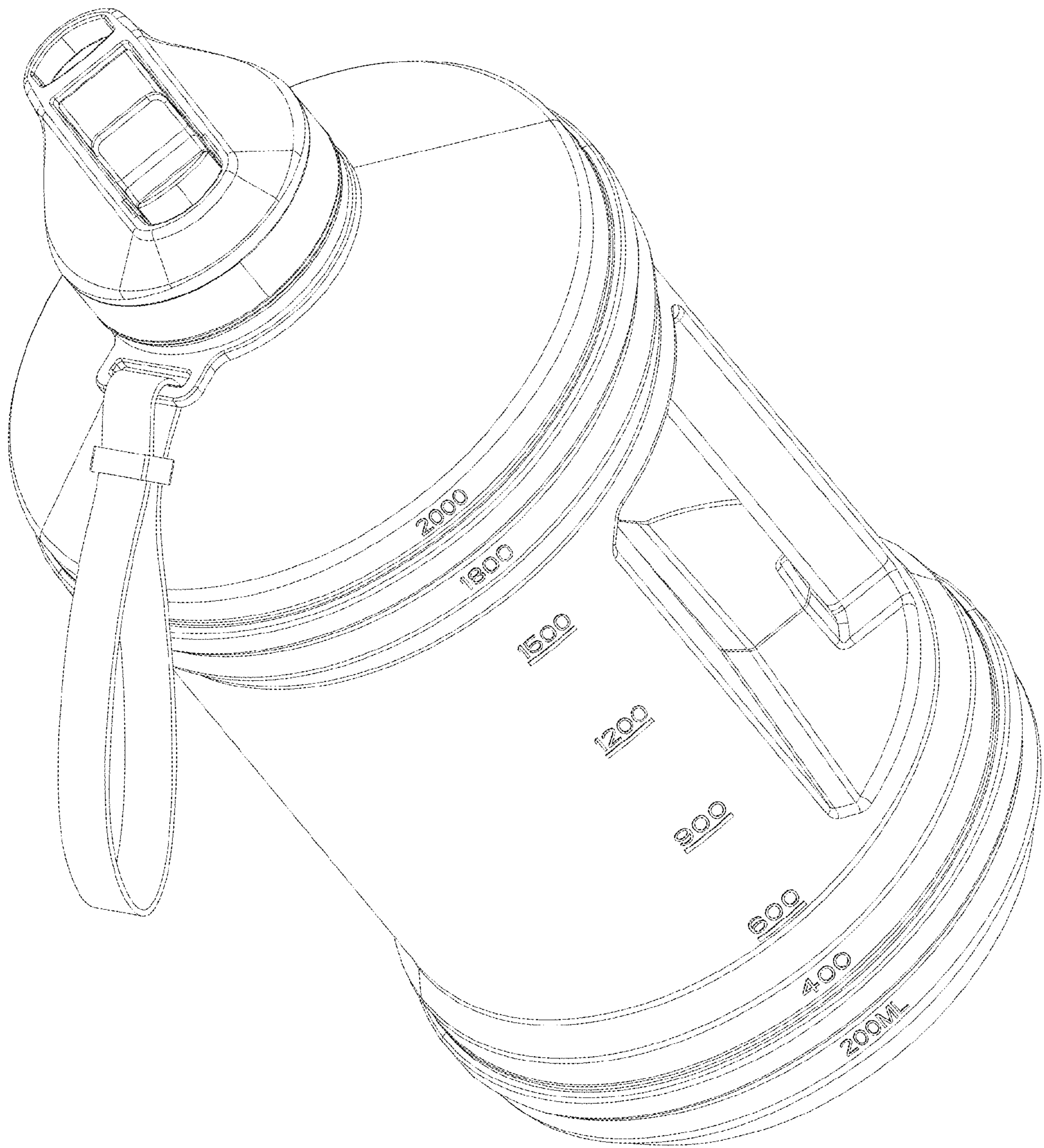


FIG.1

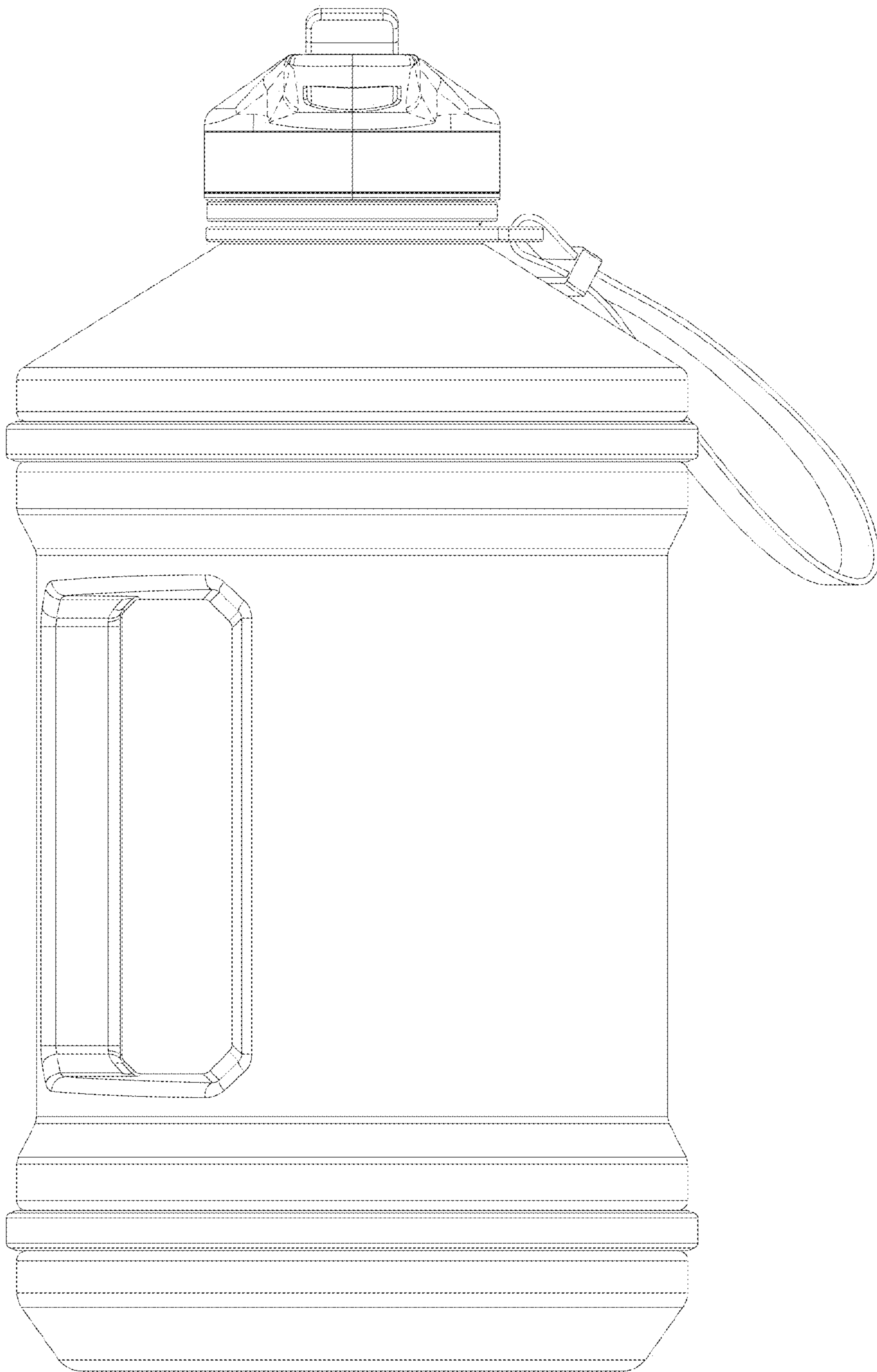


FIG.2

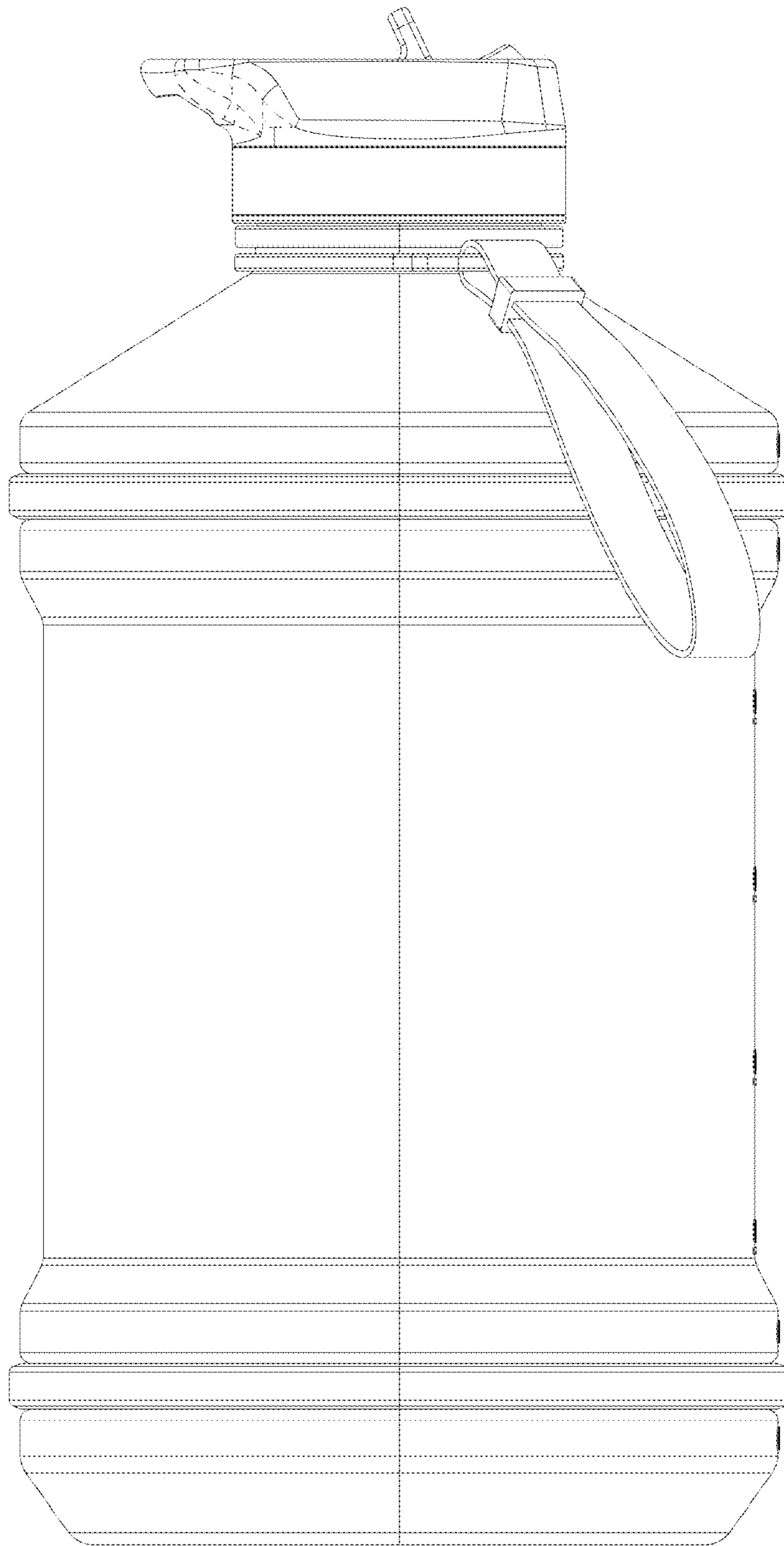


FIG.3

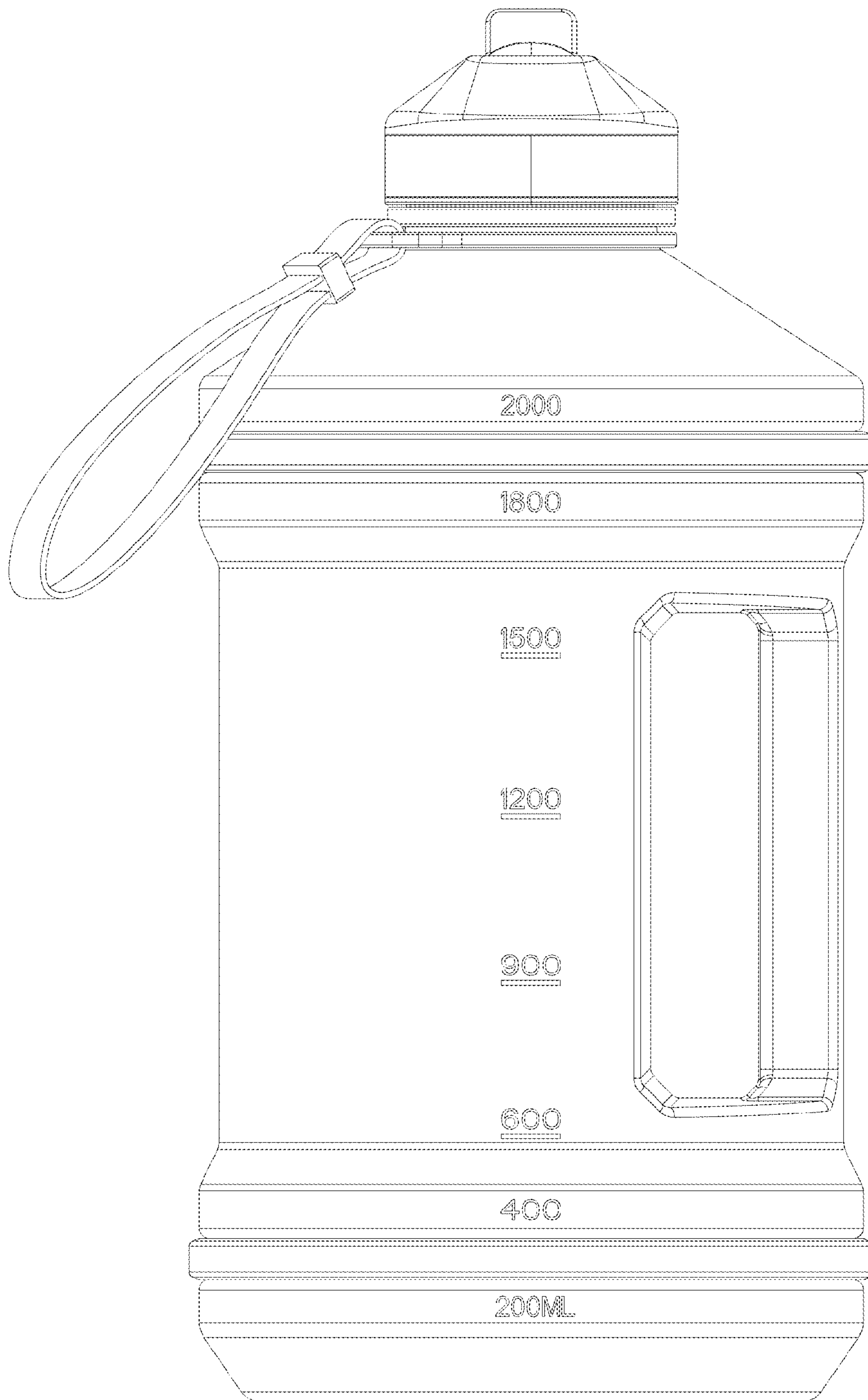


FIG.4

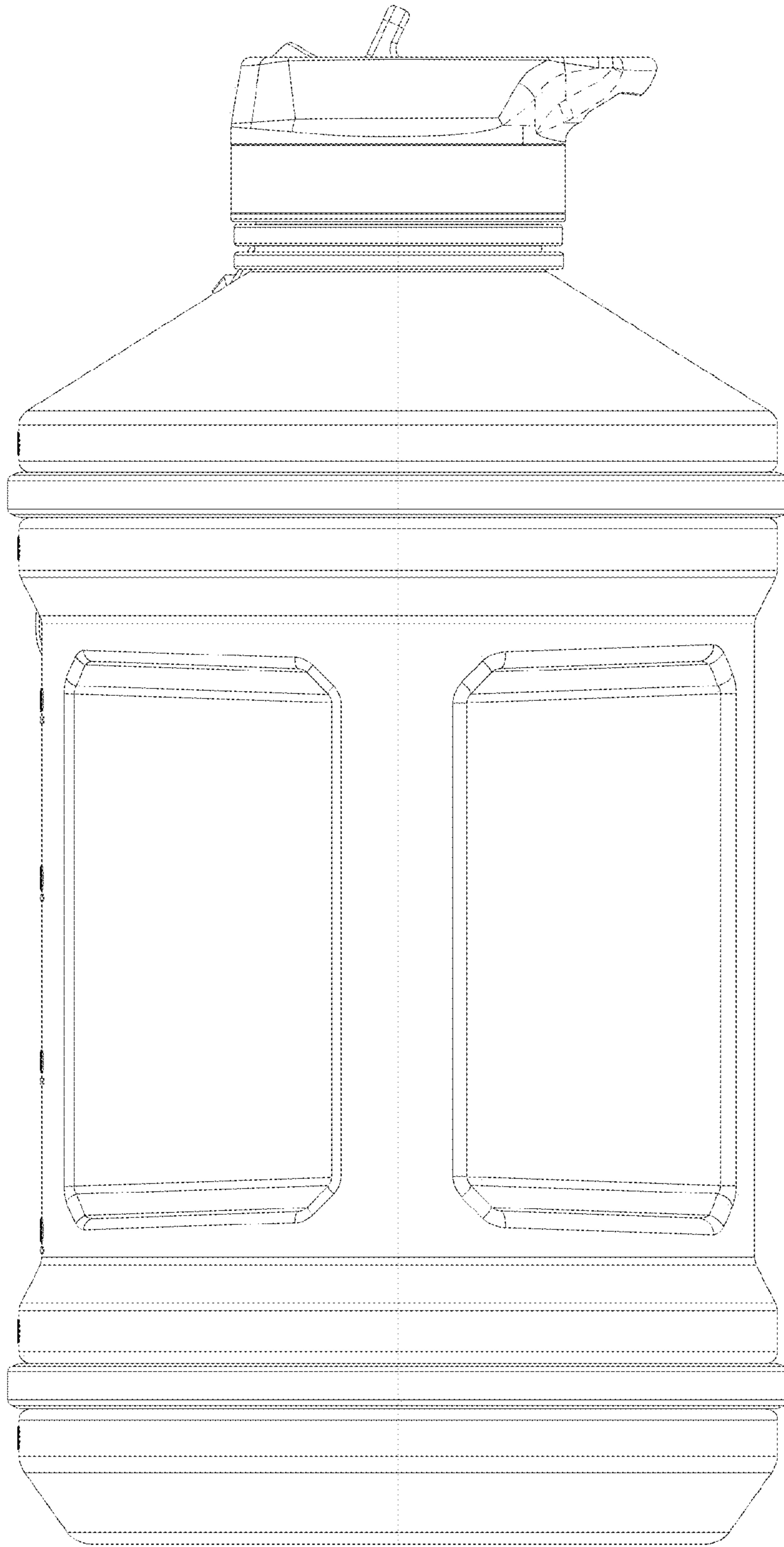


FIG.5

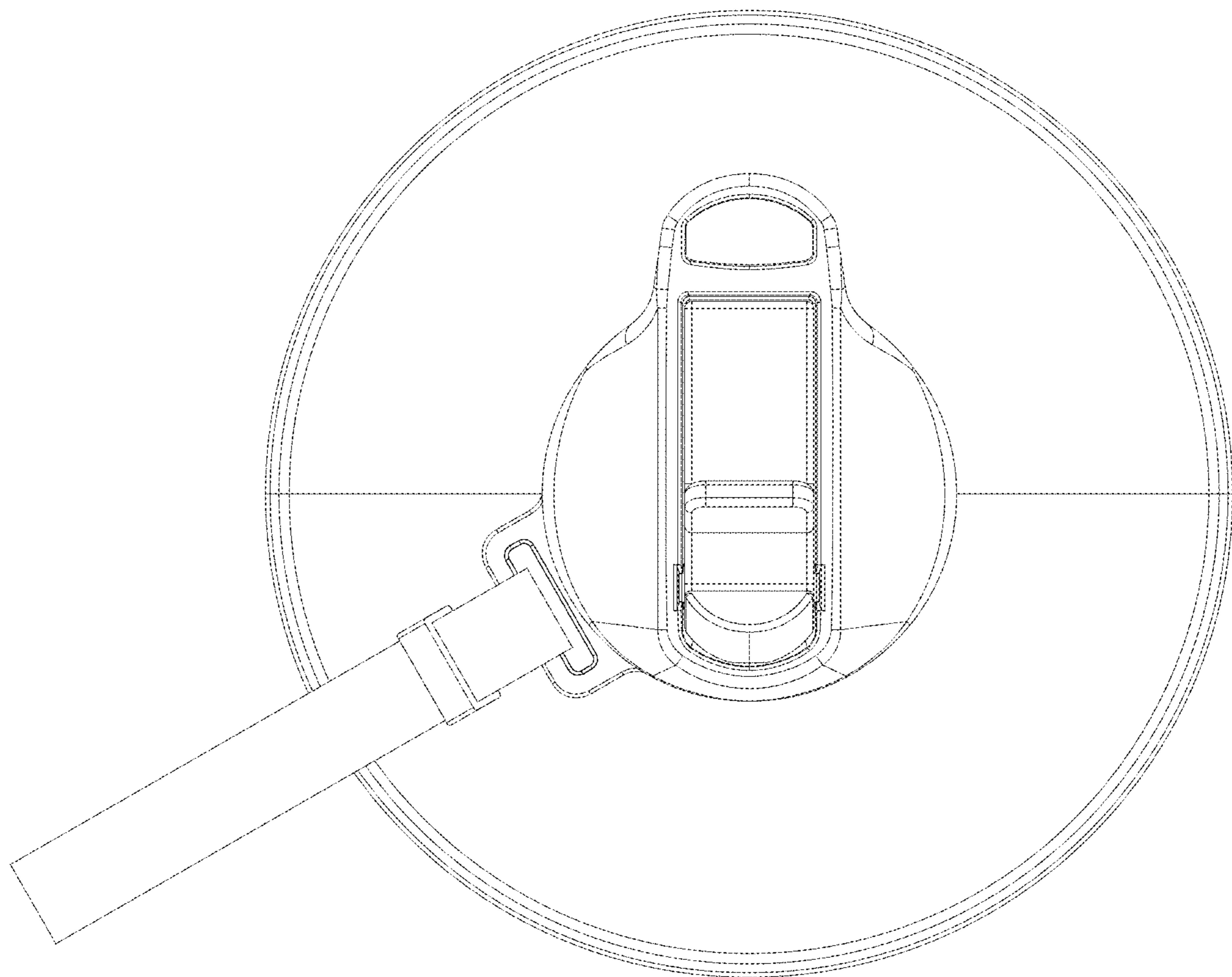


FIG.6

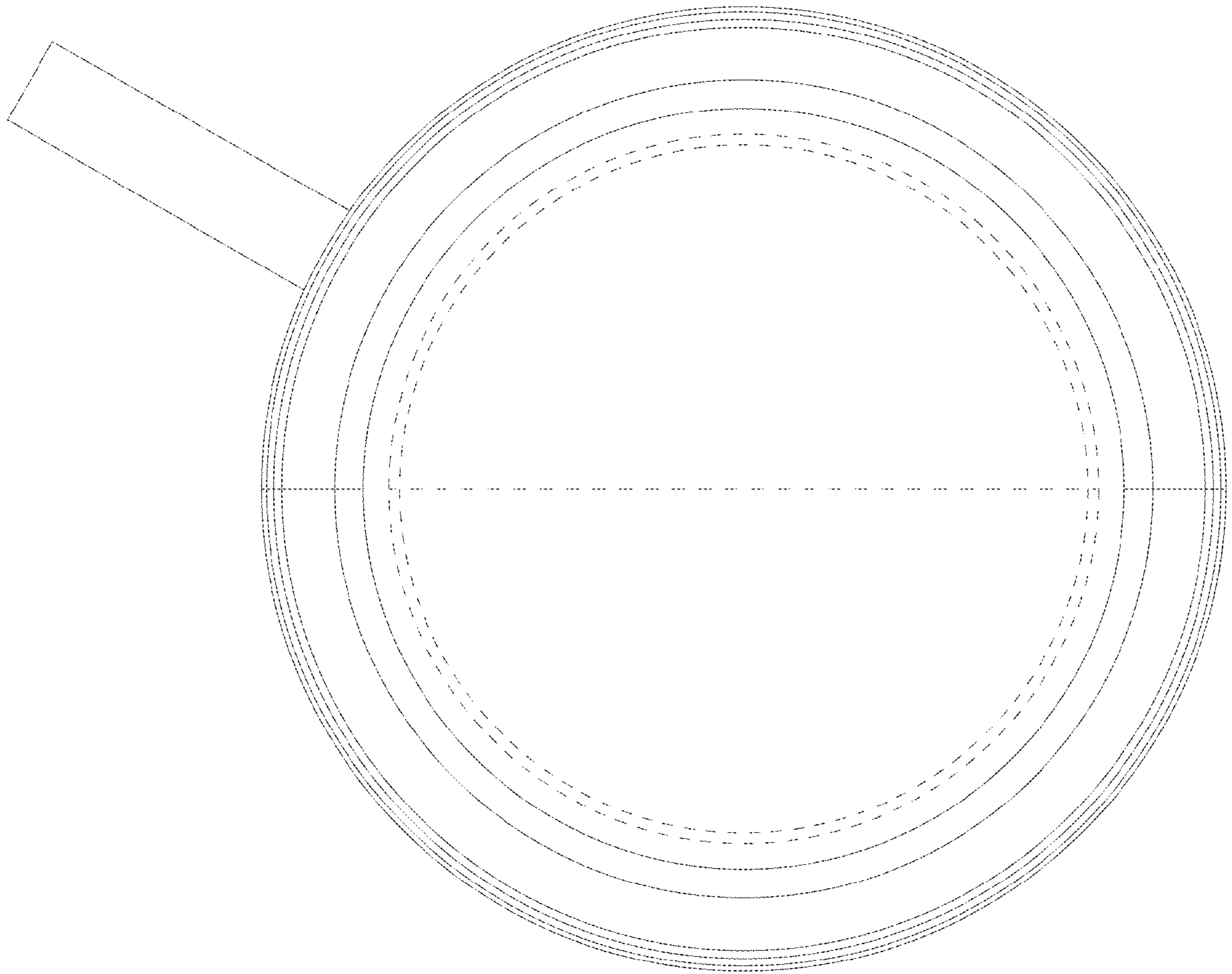


FIG.7