



US00D962704S

(12) **United States Design Patent** (10) **Patent No.:** **US D962,704 S**
Hoffmann et al. (45) **Date of Patent:** **** Sep. 6, 2022**

(54) **DRINKWARE**

FOREIGN PATENT DOCUMENTS

(71) Applicant: **Disney Enterprises, Inc.**, Burbank, CA
(US)

CA 180105 S 12/2018
CA 179015 S 2/2019

(Continued)

(72) Inventors: **Marthe Hoffmann**, Los Angeles, CA
(US); **Kaitlyn Rosette**, Los Angeles,
CA (US)

OTHER PUBLICATIONS

(73) Assignee: **Disney Enterprises, Inc.**, Burbank, CA
(US)

<https://www.shopdisney.com/marvels-spidey-and-his-amazing-friends-canteen-for-kids-464025370492.html?isProductSearch=0&plpPosition=3&searchType=autosuggest> (Year: 2022).*

(Continued)

(**) Term: **15 Years**

Primary Examiner — Jae Liang

(21) Appl. No.: **29/747,322**

(74) *Attorney, Agent, or Firm* — Patterson + Sheridan,
LLP

(22) Filed: **Aug. 21, 2020**

(51) **LOC (13) Cl.** **07-01**

(52) **U.S. Cl.**
USPC **D7/510; D7/511**

(57) **CLAIM**

(58) **Field of Classification Search**
USPC D7/507, 510, 511, 523, 531, 532, 392.1,
D7/396.2, 534, 533; D9/517, 531;
D3/202; D27/174, 176, 187; D24/122,
D24/120, 197

The ornamental design for a drinkware, as shown and described.

CPC A47J 41/0077; A47J 41/02; B65D 47/066;
A47G 19/2288; A47G 19/22

DESCRIPTION

See application file for complete search history.

FIG. 1 is a top perspective view of a drinkware showing our new design;
FIG. 2 is another top perspective view thereof;
FIG. 3 is a bottom perspective view thereof;
FIG. 4 is a front elevational view thereof;
FIG. 5 is a rear elevational view thereof;
FIG. 6 is a right side elevational view thereof;
FIG. 7 is a left side elevational view thereof;
FIG. 8 is a top plan view thereof;
FIG. 9 is a bottom plan view thereof;
FIG. 10 is a top perspective view in a second position thereof; and,
FIG. 11 is another top perspective view in a second position thereof.

The portions of the drinkware shown in broken lines form no part of the claimed design.

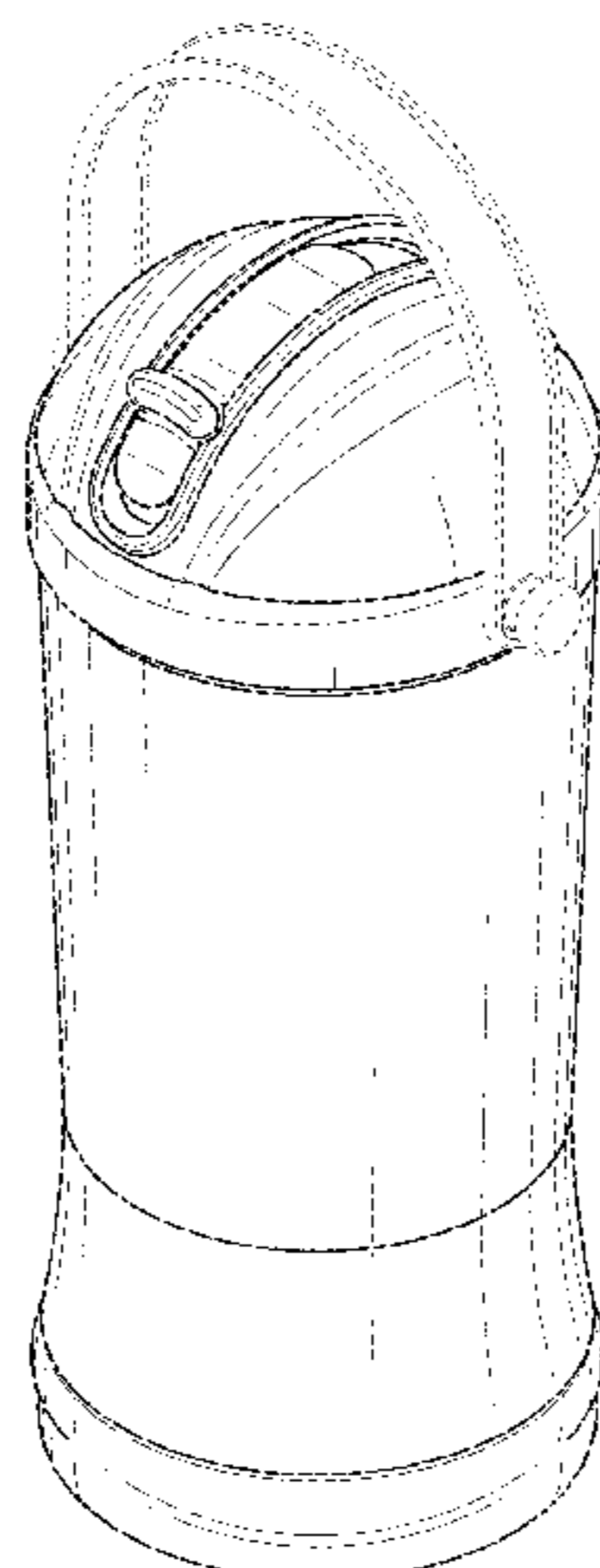
(56) **References Cited**

U.S. PATENT DOCUMENTS

D111,253 S 9/1938 Grasty
D217,435 S 5/1970 Wire
D267,076 S 11/1982 Hurtig
D320,155 S 9/1991 Plochman, III et al.
D448,971 S * 10/2001 Hughes D7/392.1
D451,812 S 12/2001 Colonna de Giovellina
D489,940 S 5/2004 Gluck
D491,069 S 6/2004 Heliste et al.
D493,332 S 7/2004 Bin
D537,726 S 3/2007 Elgebrant
D537,727 S 3/2007 Hutton
D539,651 S 4/2007 Snyder
D548,525 S 8/2007 Gibbons et al.

(Continued)

1 Claim, 10 Drawing Sheets



(56)

References Cited

U.S. PATENT DOCUMENTS

D548,607 S 8/2007 Langbein et al.
 D558,583 S 1/2008 Langbein et al.
 D577,599 S 9/2008 Moretti
 D602,785 S 10/2009 Rothberg et al.
 D618,964 S 7/2010 Eisenhardt
 D620,355 S 7/2010 Nardini
 D625,955 S 10/2010 Yang et al.
 D638,658 S 5/2011 Staton
 D649,879 S 12/2011 Gullickson et al.
 D652,256 S 1/2012 Eyal
 D656,405 S 3/2012 Byron
 8,297,462 B1 10/2012 Joyce
 D688,093 S 8/2013 Roth et al.
 D695,616 S 12/2013 Li
 D696,958 S 1/2014 Rex
 D704,986 S 5/2014 Manies
 D713,687 S * 9/2014 Lv D7/510
 D717,661 S 11/2014 McIntire et al.
 D722,804 S 2/2015 Kay et al.
 D723,333 S 3/2015 Lin
 D724,384 S 3/2015 Donovan et al.
 D725,434 S * 3/2015 De Leo D7/392.1
 D730,697 S * 6/2015 Johnson D7/533
 D736,035 S * 8/2015 Wang D7/510
 D739,757 S 9/2015 Newton et al.
 D741,659 S 10/2015 Morris, II et al.
 D741,720 S 10/2015 Anandani
 D756,234 S 5/2016 Orset
 D759,500 S 6/2016 Bell et al.
 D760,088 S 6/2016 Kaye et al.
 D766,093 S 9/2016 Otani
 D767,390 S 9/2016 Miksovsky et al.
 D767,405 S 9/2016 Orset
 D780,588 S 3/2017 Miller et al.
 D781,654 S 3/2017 Marquard et al.
 D786,012 S 5/2017 Hein et al.
 D788,593 S 6/2017 Dalton
 D791,549 S 7/2017 Goodwin et al.
 D795,009 S 8/2017 Alprin et al.
 D798,160 S 9/2017 Miller et al.
 D799,320 S 10/2017 Goodwin et al.
 D805,350 S 12/2017 Cetera et al.
 D806,468 S 1/2018 Goodwin et al.
 D810,500 S 2/2018 Maple
 D813,668 S 3/2018 Miller
 D814,308 S 4/2018 Aebi
 D815,908 S 4/2018 Kauss et al.
 D816,397 S 5/2018 Karl, IV et al.
 D825,271 S * 8/2018 Valderrama D7/510
 D830,772 S 10/2018 Rosette et al.
 D840,748 S * 2/2019 Lv D7/392.1
 D844,376 S 4/2019 Rosette et al.
 D867,812 S 11/2019 Lane et al.
 D872,522 S 1/2020 Diener et al.
 D872,524 S 1/2020 Bo
 D883,041 S 5/2020 Park et al.
 D885,129 S 5/2020 Rosette et al.
 D885,823 S 6/2020 Ayres
 D885,837 S 6/2020 Bo
 D886,517 S 6/2020 Bo
 D894,671 S 9/2020 Huang
 D894,672 S 9/2020 Huang
 D895,361 S 9/2020 Wang et al.
 D897,761 S 10/2020 Zhang
 D899,848 S 10/2020 Zhang
 D900,539 S 11/2020 Yao
 D903,405 S 12/2020 Zhang
 D905,498 S 12/2020 Zhang

D906,042 S 12/2020 Chen
 D911,100 S 2/2021 Chen et al.
 2009/0120946 A1 5/2009 Hung
 2009/0266736 A1 10/2009 Sprishen et al.
 2010/0170902 A1* 7/2010 Britto A47G 19/2266
 220/709
 2012/0160851 A1* 6/2012 Chiang B65D 47/066
 220/360
 2013/0146048 A1* 6/2013 Hopfe F24S 80/54
 220/592.16
 2016/0318693 A1 11/2016 Hein et al.
 2018/0282030 A1 10/2018 Anderl

FOREIGN PATENT DOCUMENTS

CA 185397 S 2/2019
 CA 185433 S 2/2019
 CN 303283625 7/2015
 CN 303558772 1/2016
 CN 304480602 1/2018
 CN 201830012569.9 11/2018
 CN 201830304827.0 2/2019
 CN 201830305213.4 2/2019
 CN 306124414 10/2020
 CN 201930526284.1 10/2020
 JP 1619028 S 11/2018
 JP 1619029 S 11/2018
 JP 1619030 S 11/2018
 JP D1619569 12/2018
 KR 300878193.0000 10/2016

OTHER PUBLICATIONS

<http://www.paddypallin.com.au/nalgene-wide-mouth-hdpe-square-bottles.html>, Nalgene Wide Mouth HDPE Square Bottles Apr. 13, 2015.
 European Register of Community Designs Certificate of Registration No. 004661338-0001, Registration Date Jan. 10, 2018.
 European Register of Community Designs Certificate of Registration No. 004661338-0002, Registration Date Jan. 10, 2018.
 European Register of Community Designs Certificate of Registration No. 004661338-0003, Registration Date Jan. 10, 2018.
 European Register of Community Designs Certificate of Registration No. 004661338-0004, Registration Date Jan. 10, 2018.
 European Register of Community Designs Certificate of Registration No. 004661338-0005, Registration Date Jan. 10, 2018.
 Design U.S. Appl. No. 29/685,443, Entitled "Drinkware", filed Mar. 28, 2019.
 Brita, "Brita 23.7 Ounce Hard Sided Water Bottle," Nov. 12, 2012, Amazon.com, www.amazon.com/dp/B00AB8NOPY (Year: 2012).
 Playtex Baby, "Playtex Baby Nurser Baby Bottles," Nov. 21, 2014, Amazon.ca, www.amazon.ca/dp/B00PY50DC6 (Year: 2014).
 4imprint, "Ice Chameleon Tumbler with Straw," Sep. 2014, 4imprint USA, <https://4imprint.com/product/121314/Ice-Chameleon-Tumbler-with-Straw-16-oz> (Year: 2018).
 Thermos, "Thermos Funtainer 12 Ounce Stainless Steel Kids Bottle," Jan. 19, 2016, www.amazon.com/dp/B01ATVJXIO (Year: 2016).
 Brita, "Brita Plastic Water Filter Bottle," Dec. 1, 2018, Amazon.com, www.amazon.com/dp/B07H1F6N2F (Year: 2018).
 Root7, "Root7 Chameleon Color Changing Bottle," Dec. 13, 2018, Amazon.com, www.amazon.com/dp/B07LC1M11W (Year: 2018).
 Disney, "Disney Stitch Color Changing Water Bottle," Oct. 1, 2018, Amazon.com, www.amazon.com/dp/B07H7TZJTY (Year: 2018).
 Bitanaga, Mike, "The 12 Best Purifying Water Bottles to Hydrate Safely," May 8, 2019, HiConsumption, <https://hiconsumption.com/best-purifying-water-bottles/> (Year: 2019).

* cited by examiner

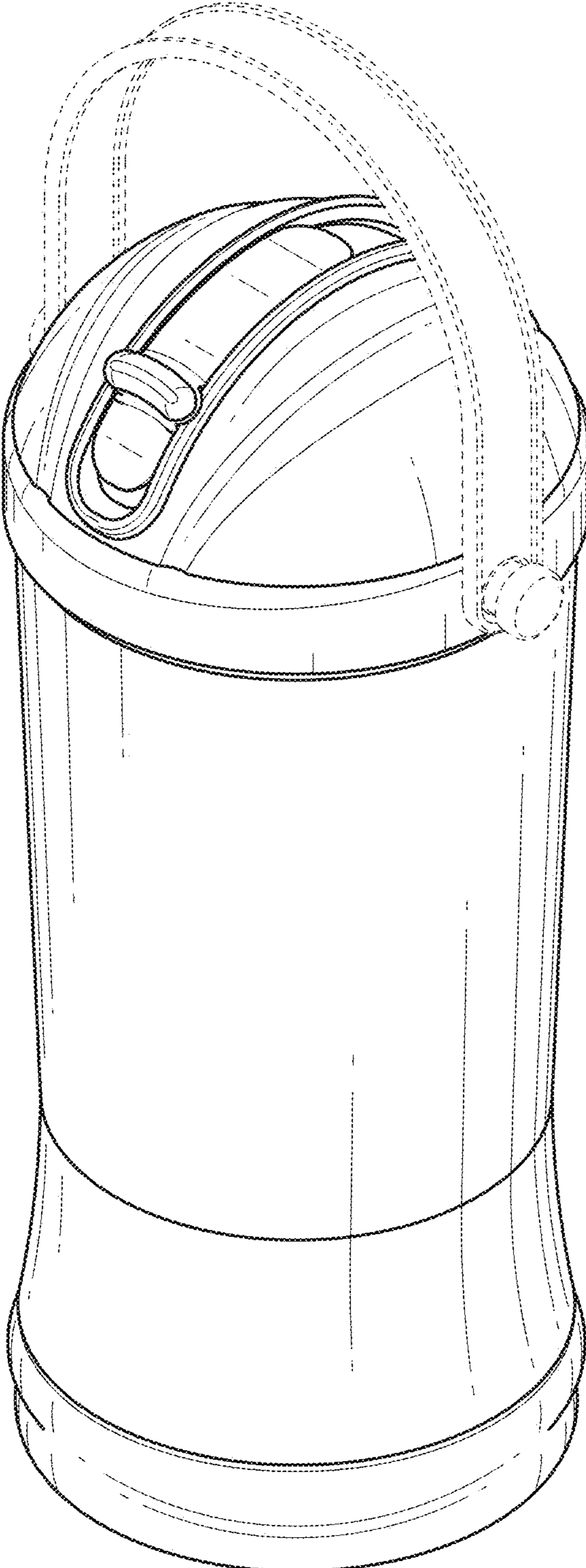


FIG. 1

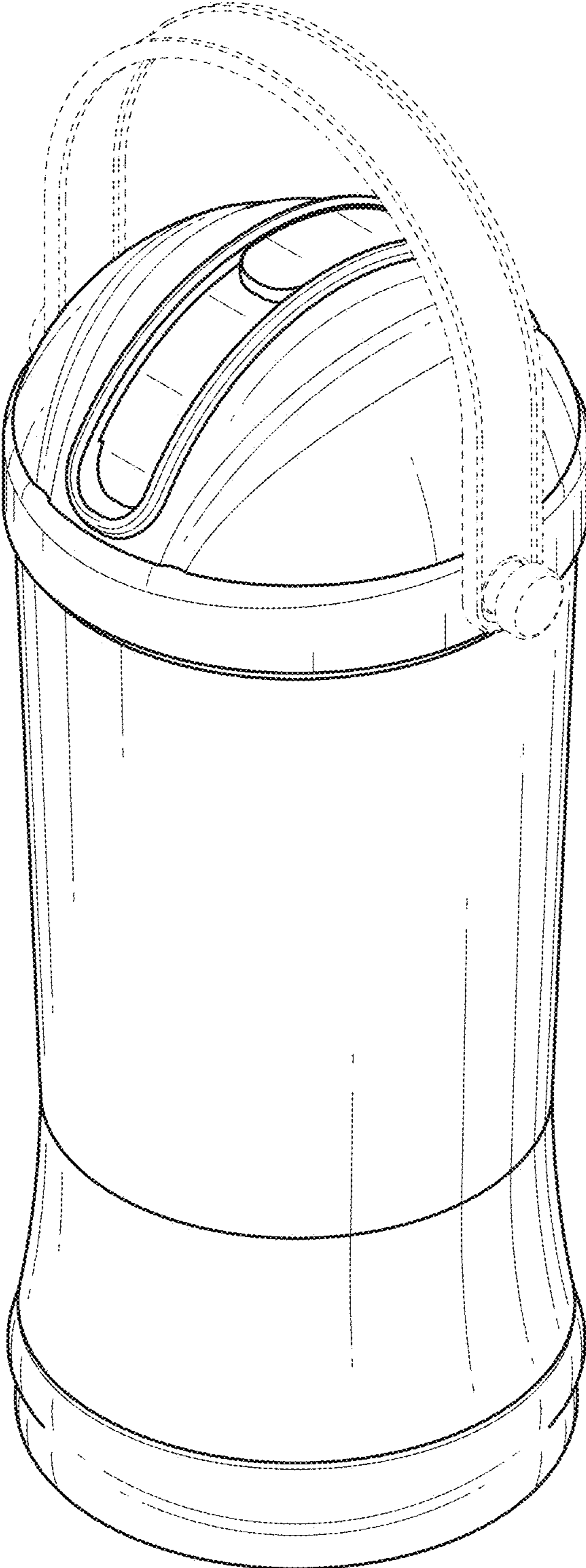


FIG. 2

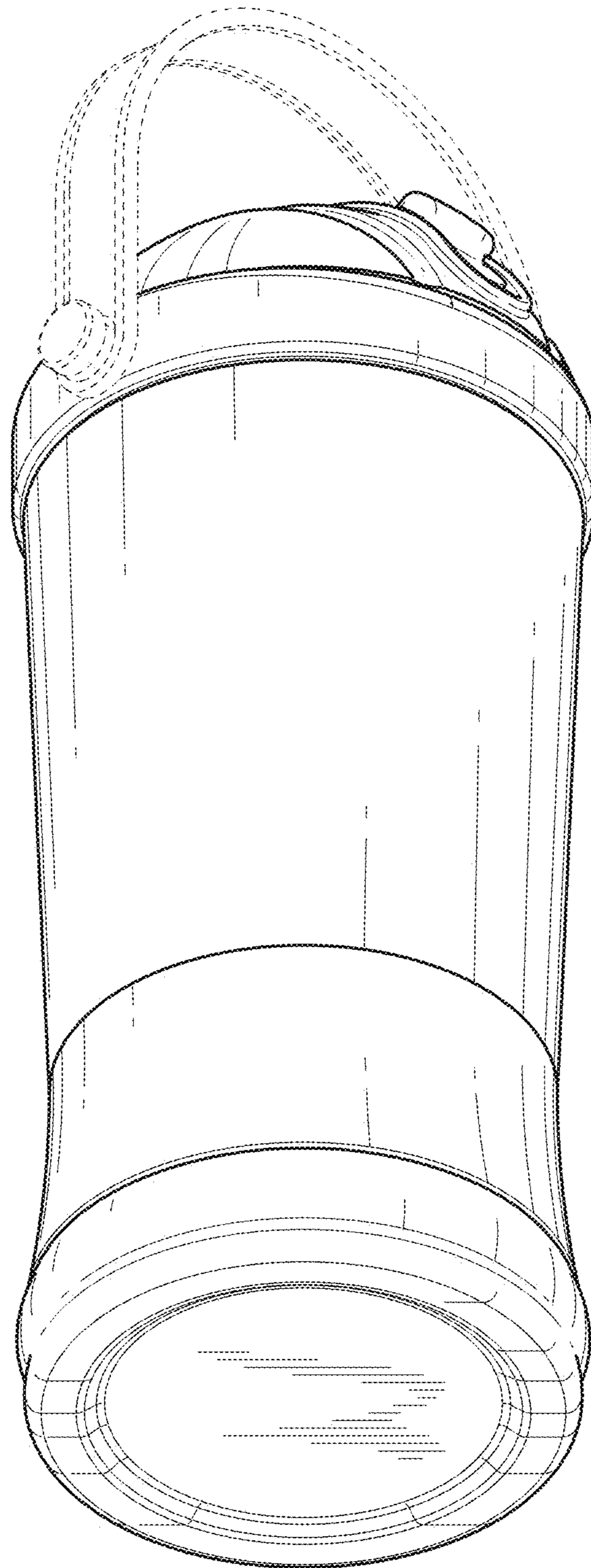


FIG. 3

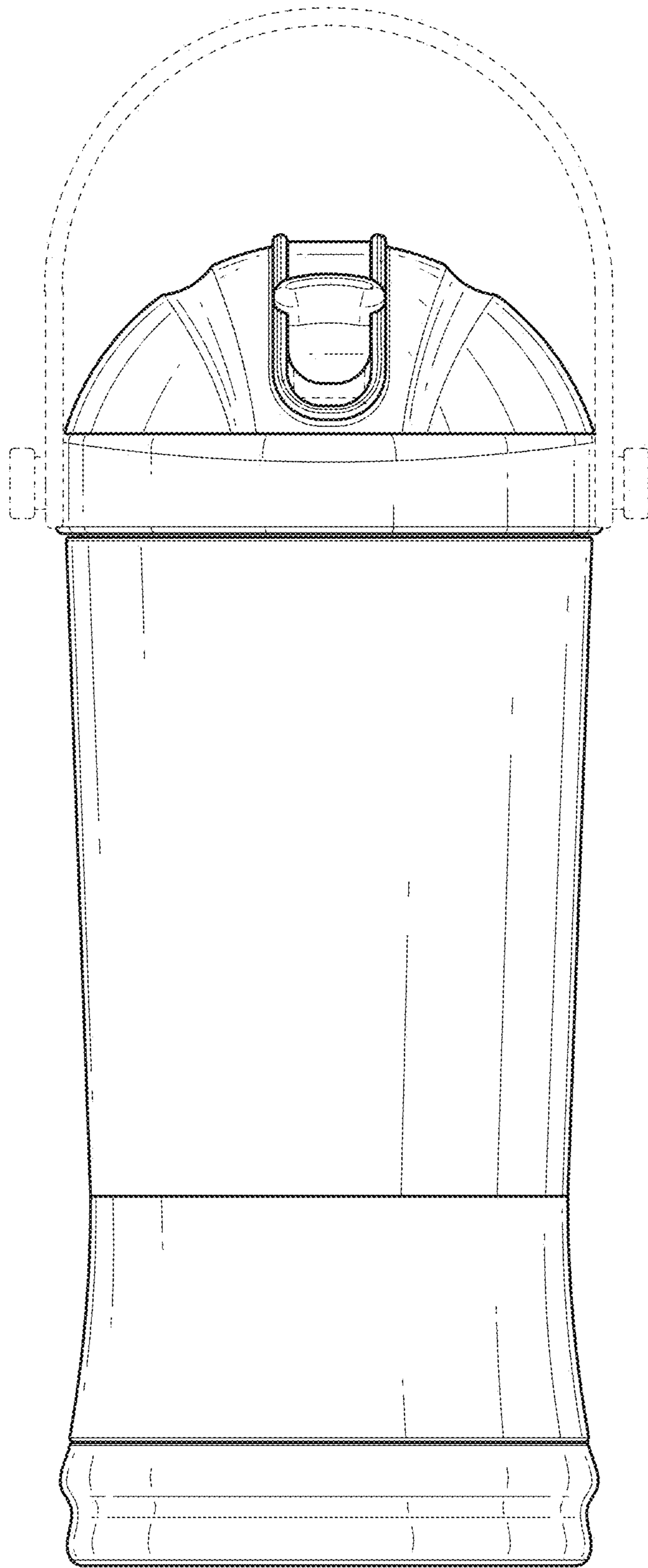


FIG. 4

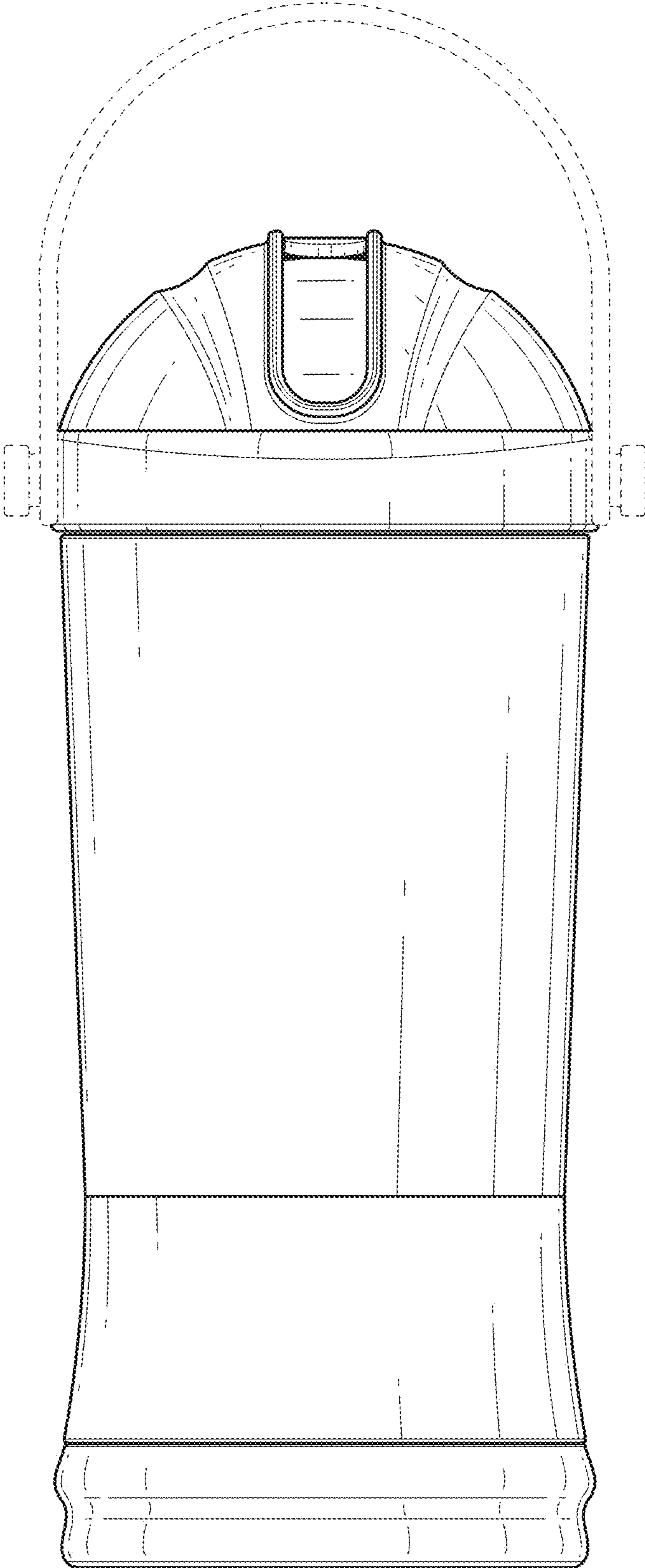


FIG. 5

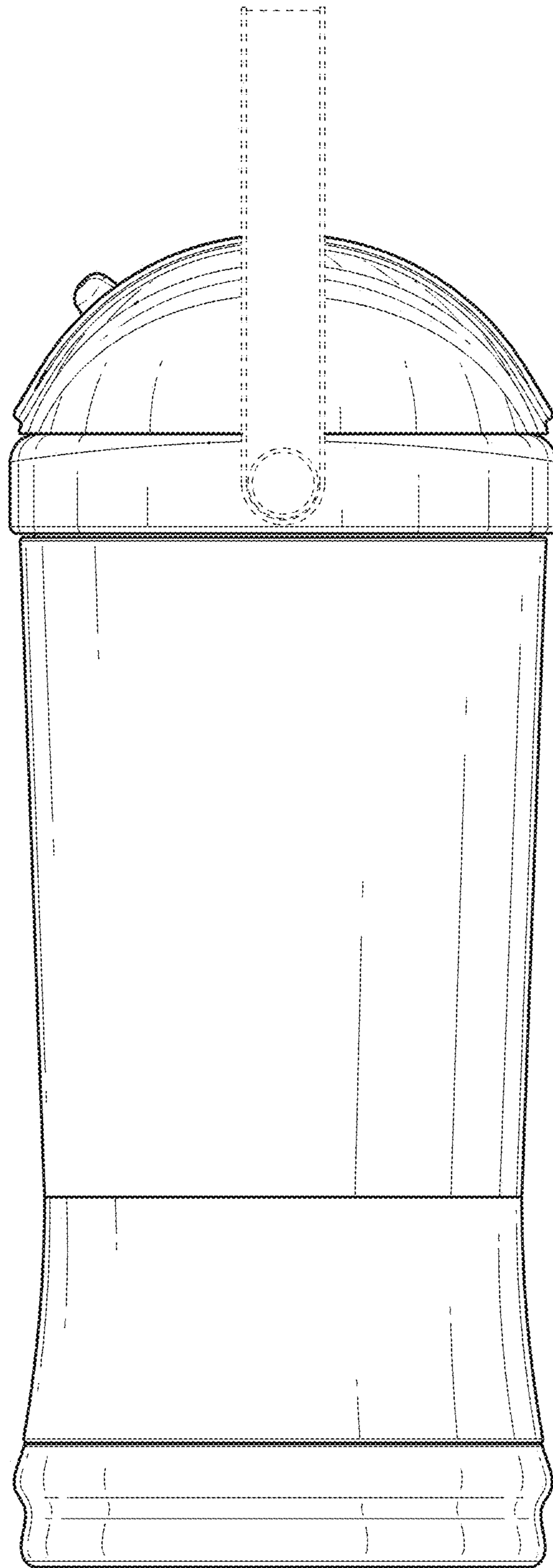


FIG. 6

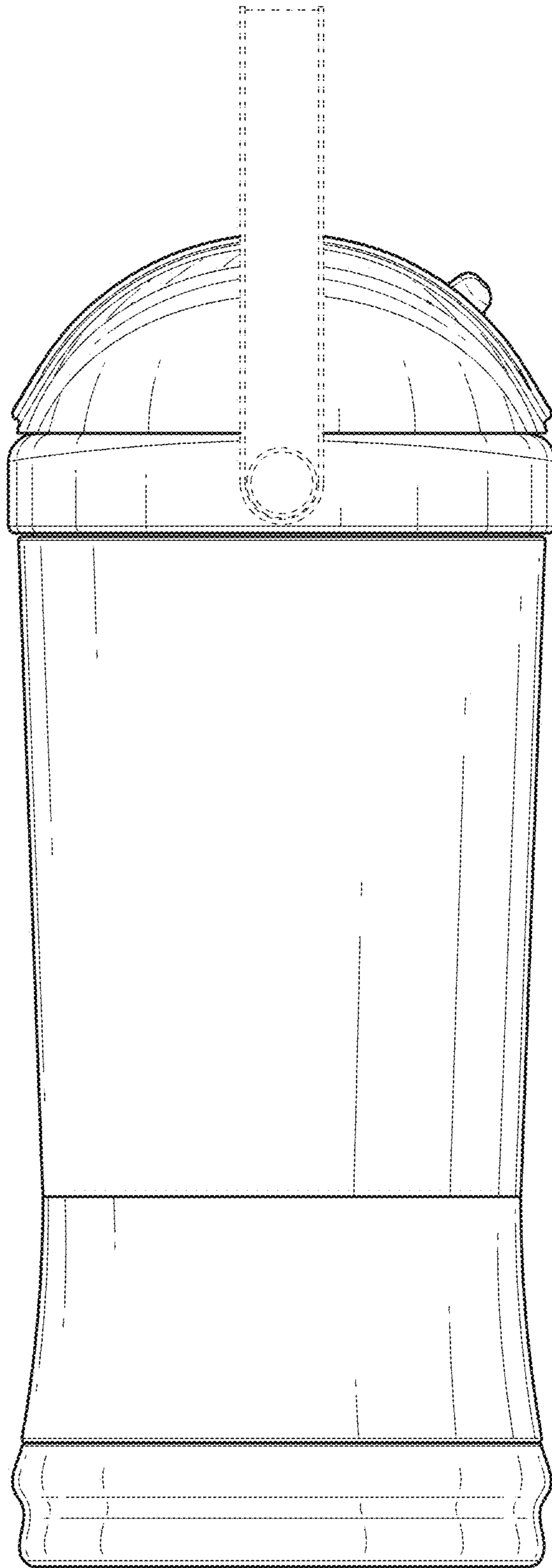


FIG. 7

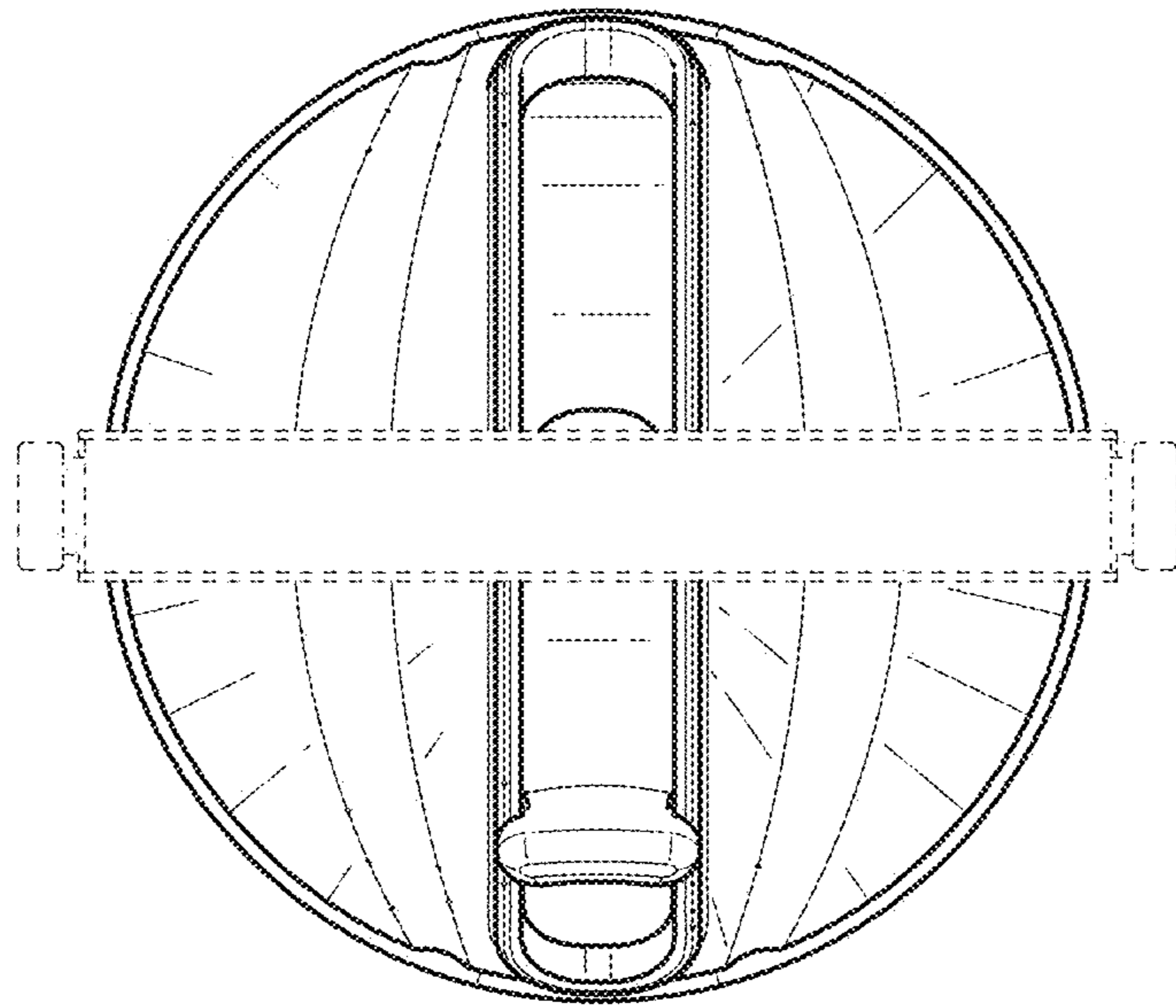


FIG. 8



FIG. 9

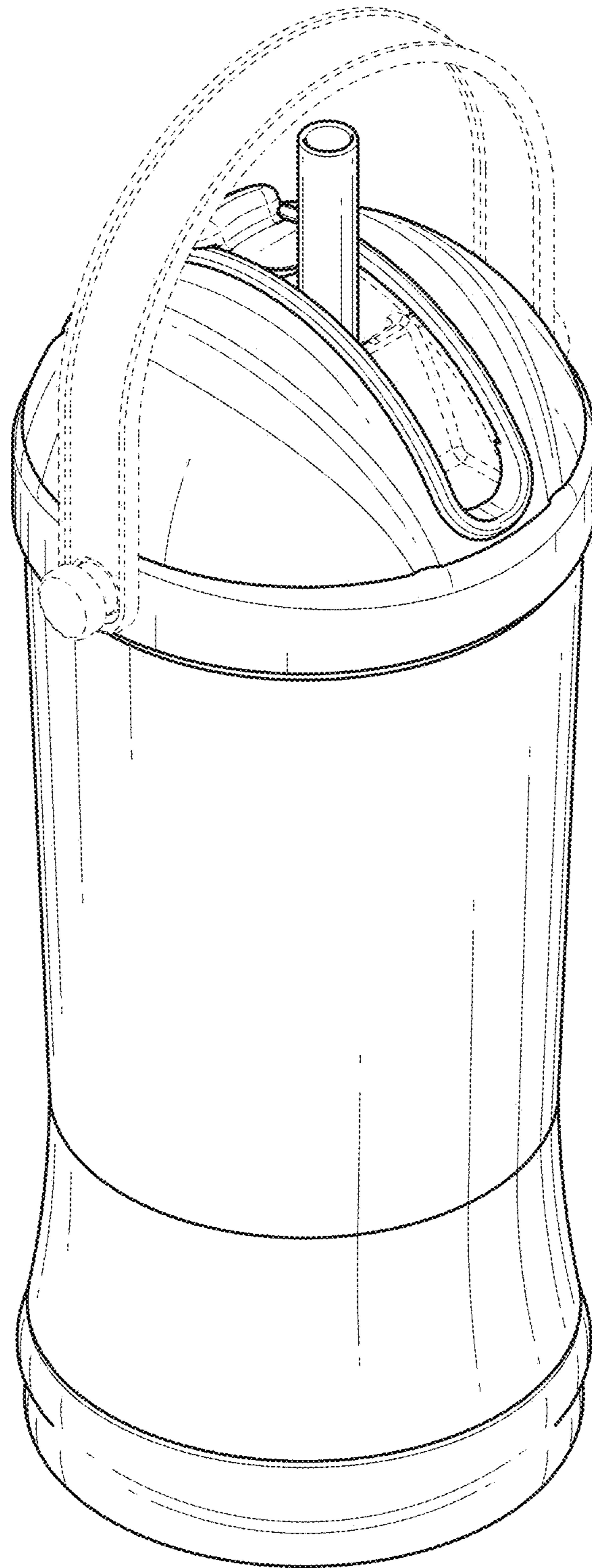


FIG. 10

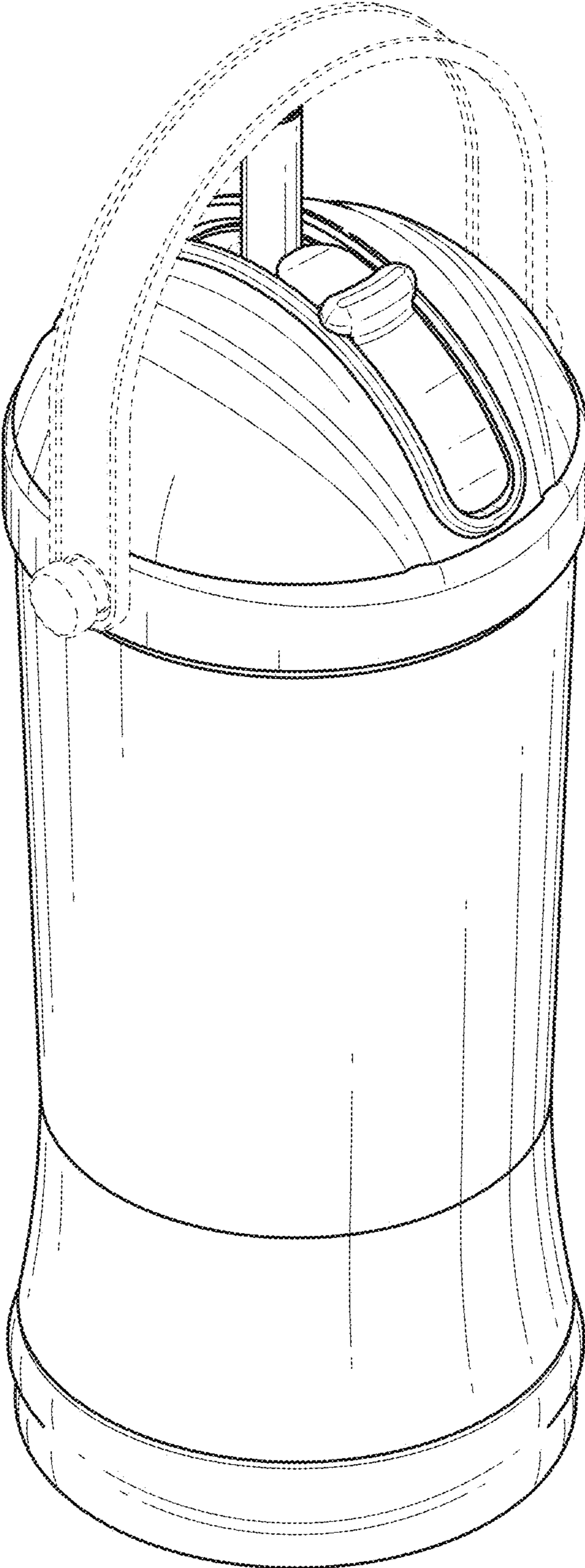


FIG. 11