



US00D962701S

(12) **United States Design Patent**
Liu

(10) **Patent No.:** **US D962,701 S**

(45) **Date of Patent:** **** Sep. 6, 2022**

(54) **FILTER**

(71) Applicant: **Guijun Liu, Yuyao (CN)**

(72) Inventor: **Guijun Liu, Yuyao (CN)**

(**) Term: **15 Years**

(21) Appl. No.: **29/769,276**

(22) Filed: **Feb. 4, 2021**

(51) **LOC (13) Cl.** **07-06**

(52) **U.S. Cl.**

USPC **D7/400**

(58) **Field of Classification Search**

USPC D7/300, 302, 303, 305, 397, 399,
D7/316-319, 321, 400, 401, 600, 602,
D7/619.1, 667; D9/516, 523, 524, 527,
D9/528; D23/209, 212, 261; D3/273,
D3/294

CPC A47J 27/21058; A47J 31/40; A47J 31/41;
A47J 31/44; A47J 47/00; A47G 19/12;
A47G 19/14; A47G 19/145; B01D 35/02;
B65B 39/00; B65D 47/06

See application file for complete search history.

(56) **References Cited**

U.S. PATENT DOCUMENTS

8,561,524 B2 * 10/2013 DeMiglio A47J 31/0689
99/305
D694,579 S * 12/2013 Khubani D7/400

D757,492 S * 5/2016 Ming D7/400
D764,226 S * 8/2016 Ming D7/400
D767,331 S * 9/2016 Burrows D7/400
D771,434 S * 11/2016 Burrows D7/400
D815,925 S * 4/2018 Rapparini D7/400
D910,371 S * 2/2021 Zhang D7/400
D920,097 S * 5/2021 Rapparini D9/428
D931,045 S * 9/2021 Sasena D7/400
D939,890 S * 1/2022 Sasena D7/400
D940,895 S * 1/2022 Tapocik D24/221
2015/0157165 A1 * 6/2015 Talon A47J 31/407
206/0.5
2019/0000262 A1 * 1/2019 Vu A47J 31/369

* cited by examiner

Primary Examiner — Andrew Kerr

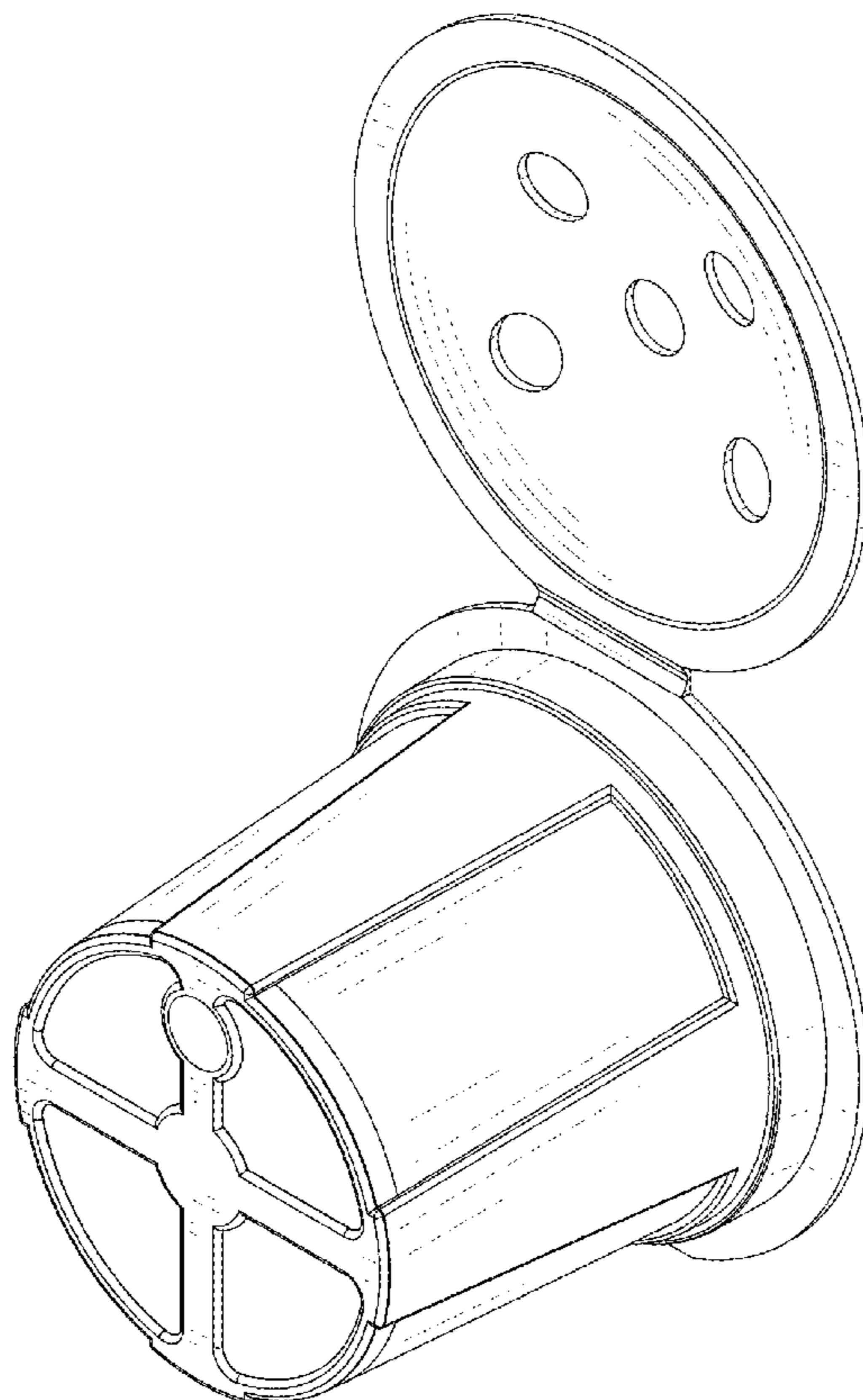
(57) **CLAIM**

The ornamental design for a filter, as shown and described.

DESCRIPTION

FIG. 1 is a side perspective view of a filter in an open state, showing my new design;
FIG. 2 is a top perspective view thereof;
FIG. 3 is a front elevational view thereof;
FIG. 4 is a left side view thereof;
FIG. 5 is a right side view thereof;
FIG. 6 is a top plan view thereof;
FIG. 7 is a bottom plan view thereof; and,
FIG. 8 is a top perspective view thereof, in a closed state. The rear view being a mirror image of the front view is thus omitted.

1 Claim, 8 Drawing Sheets



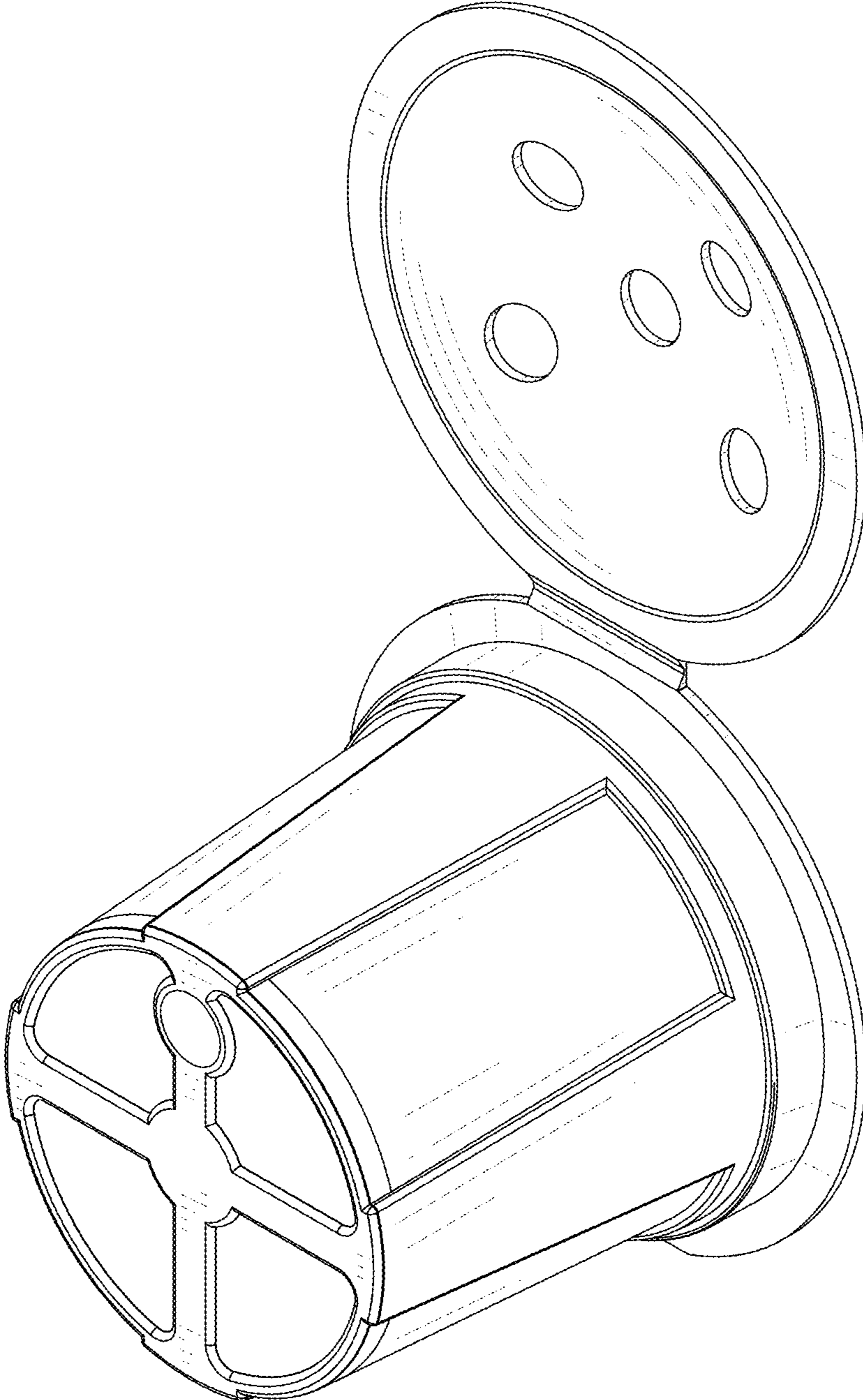


FIG. 1

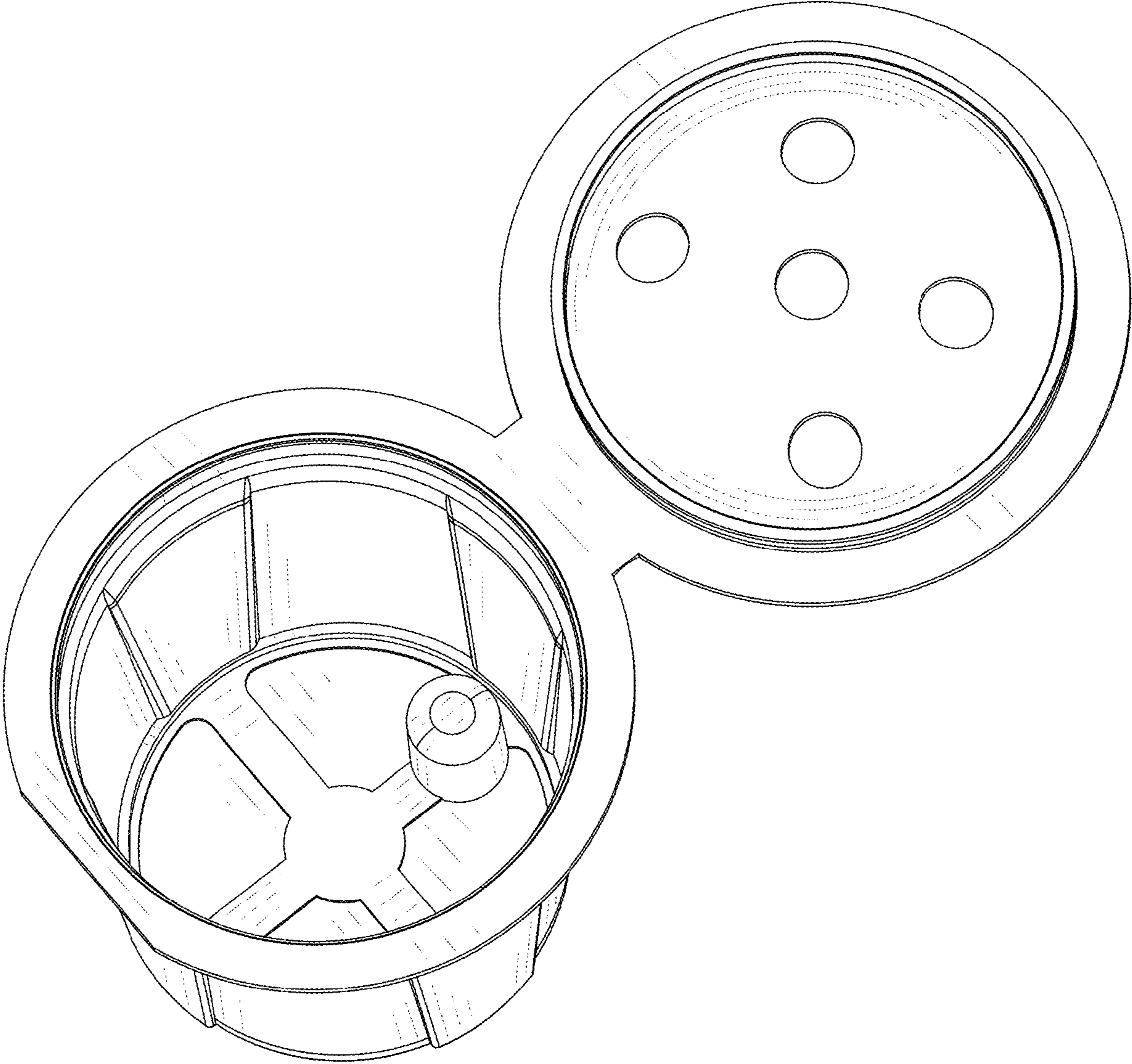


FIG. 2

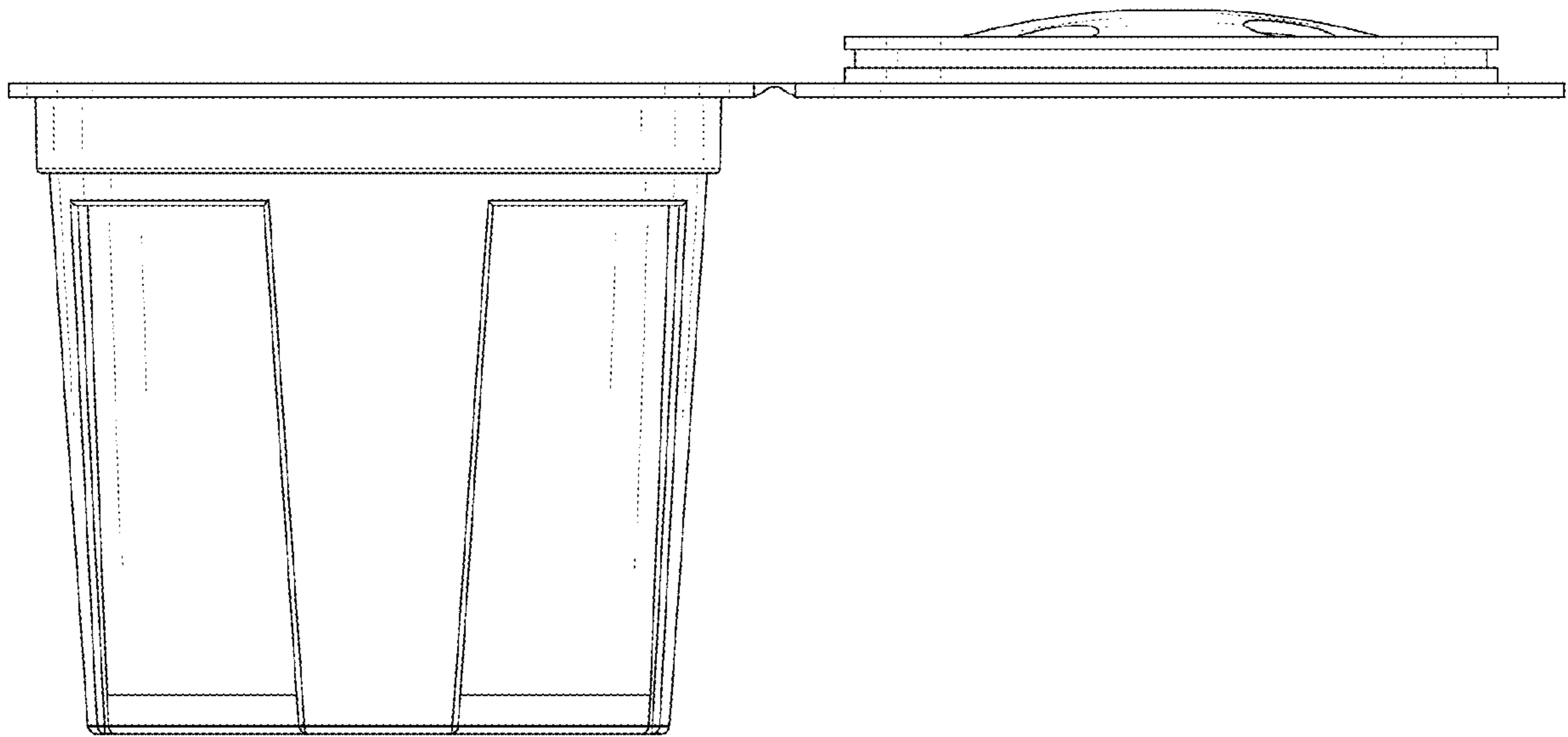


FIG. 3

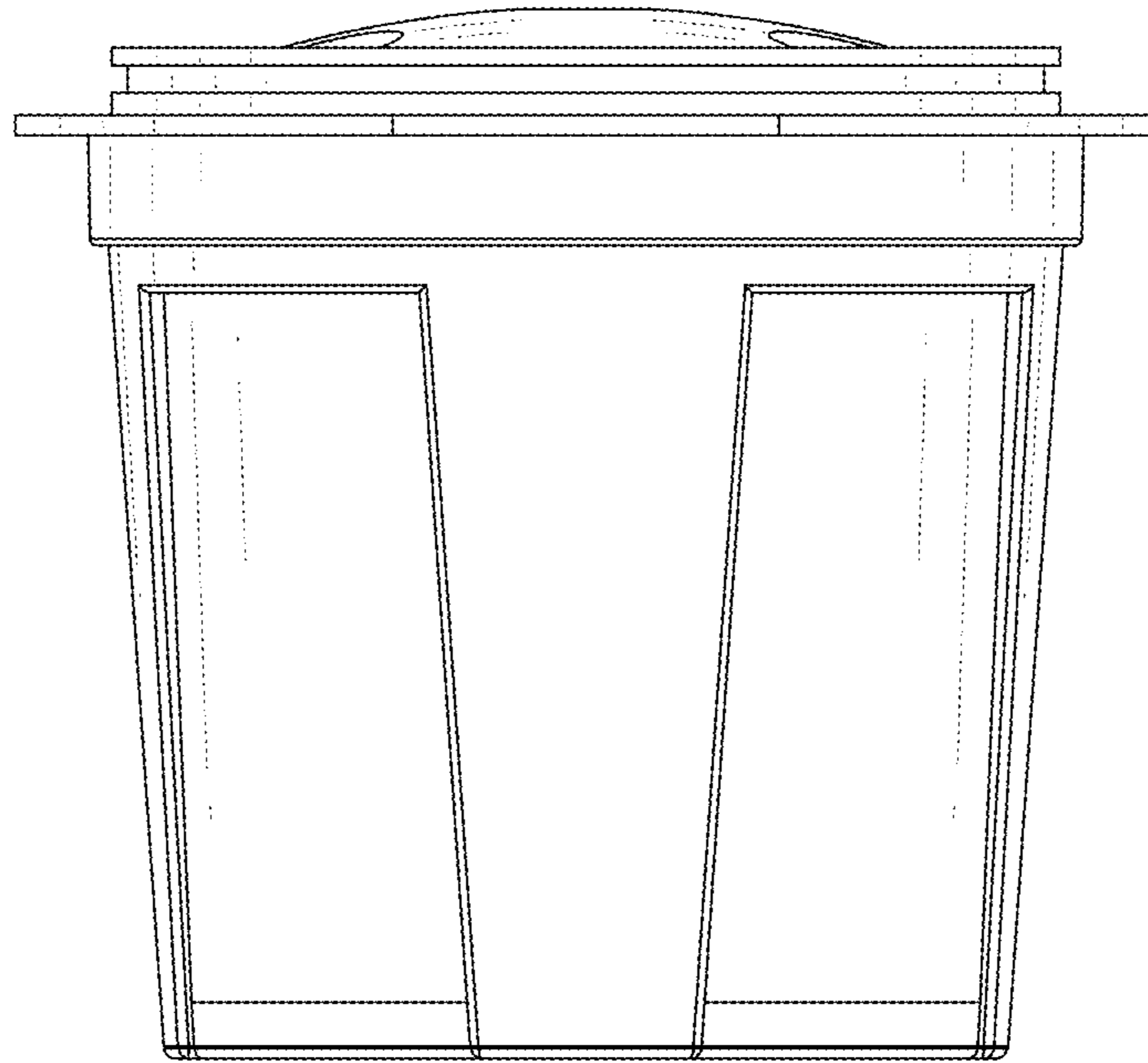


FIG. 4

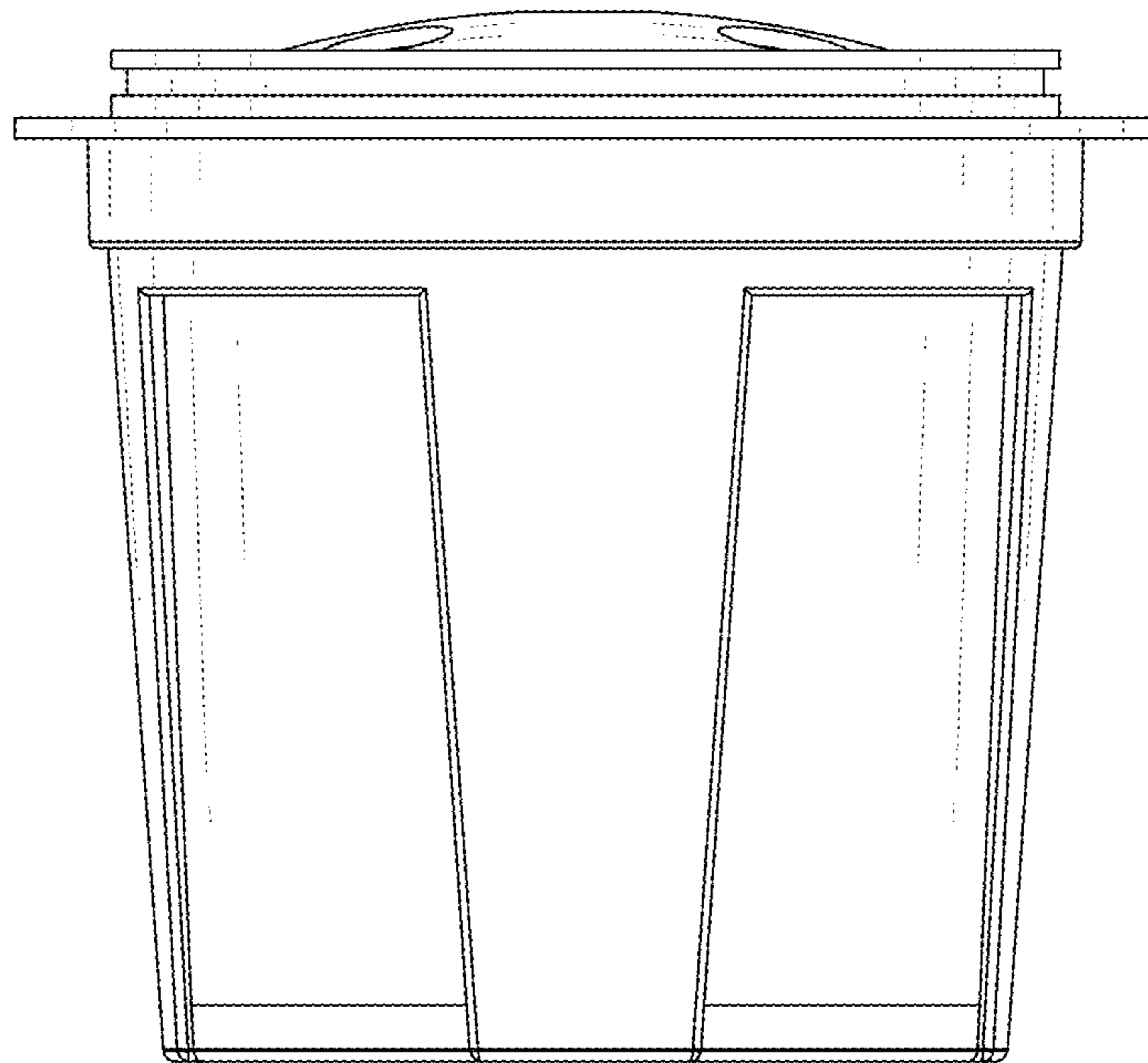


FIG. 5

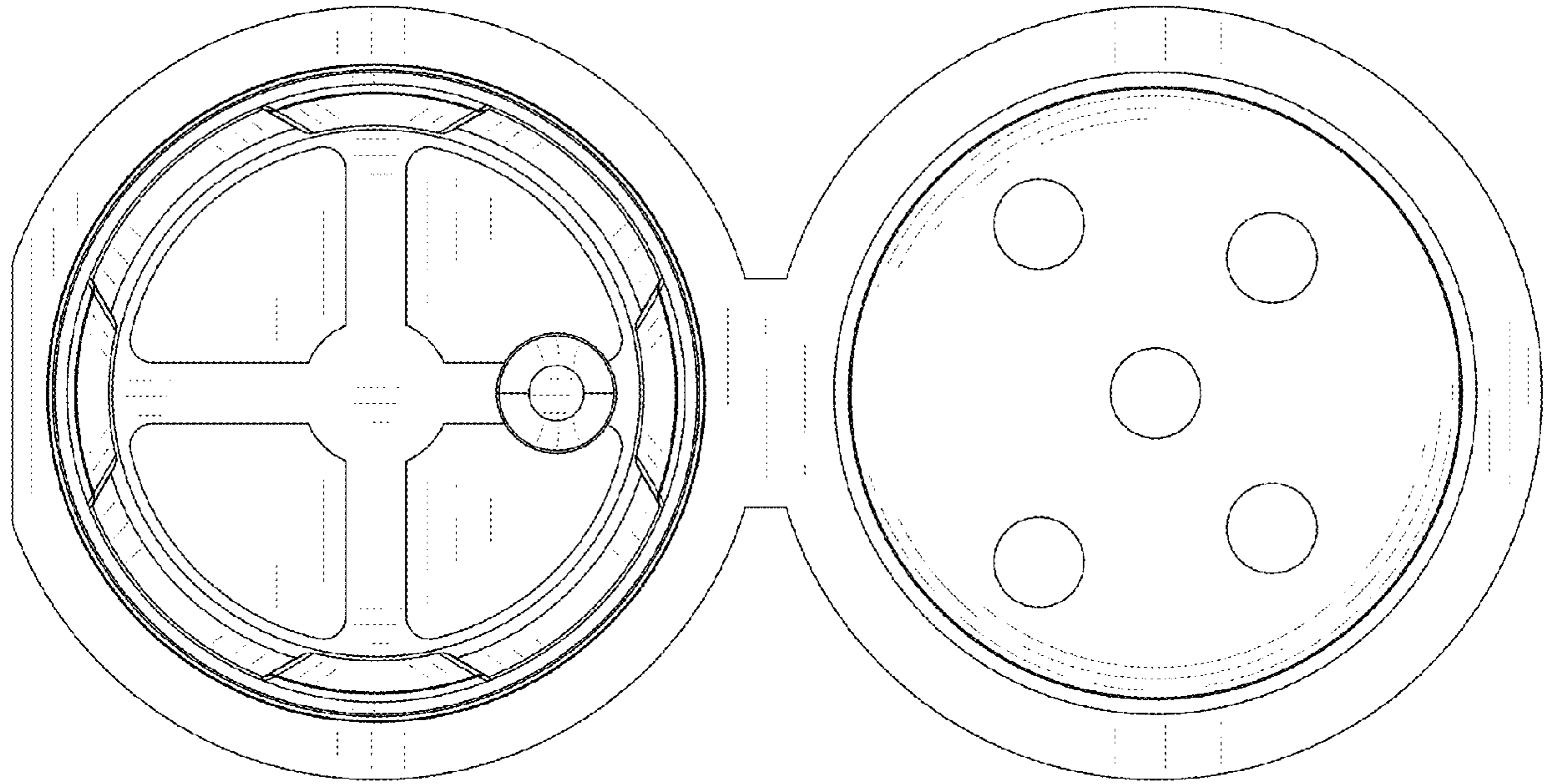


FIG. 6

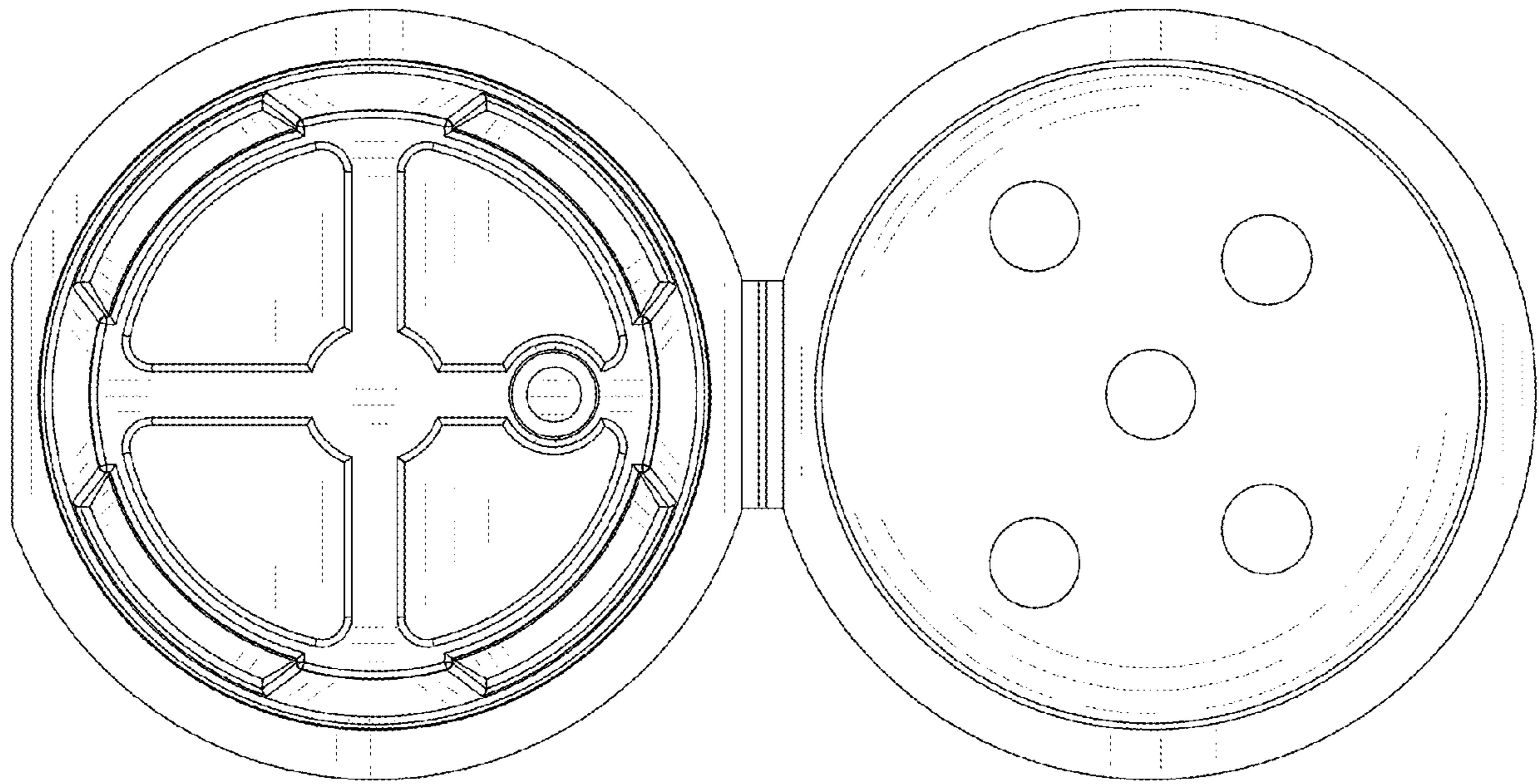


FIG. 7

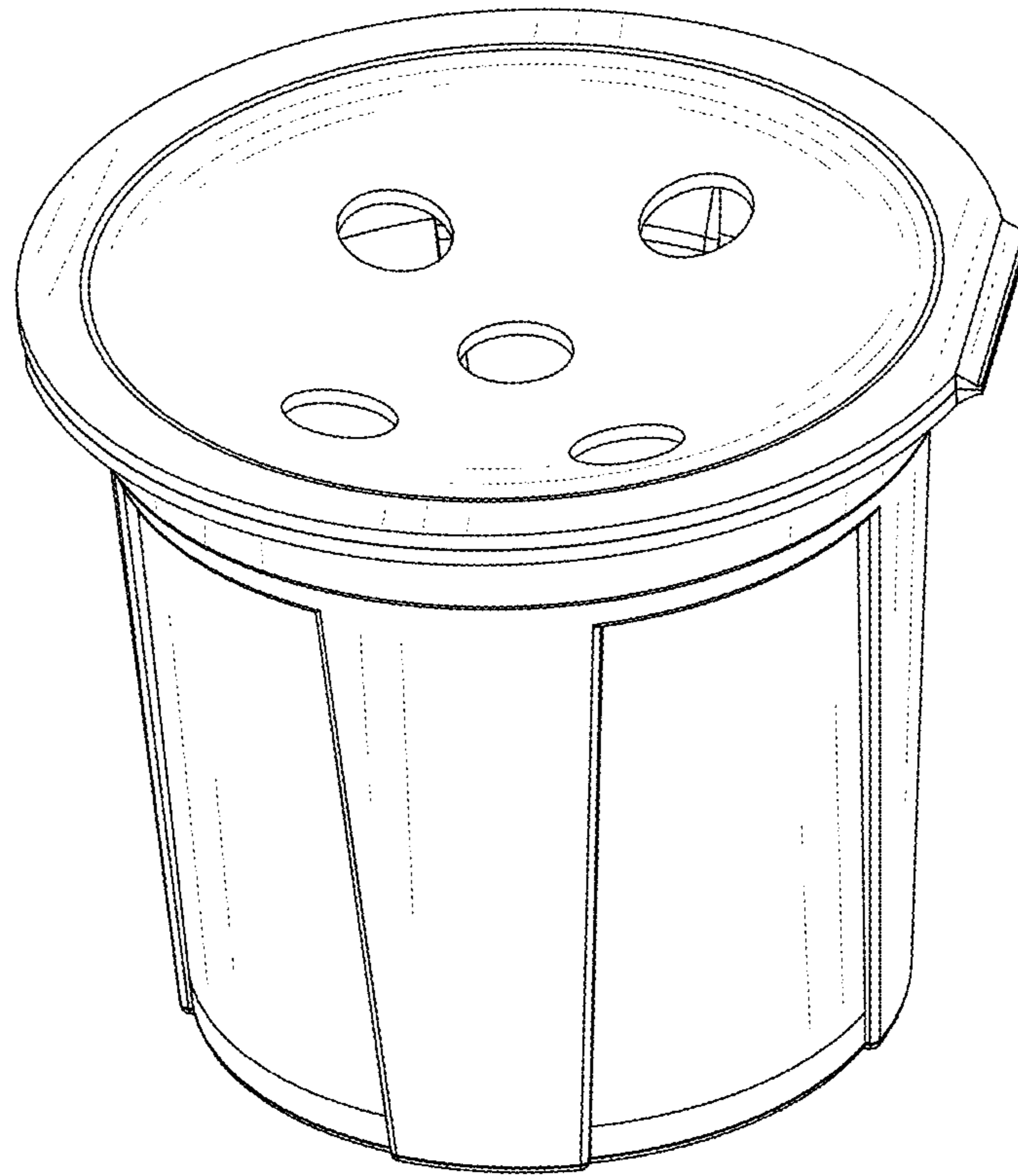


FIG. 8