



US00D962697S

(12) **United States Design Patent**
Li et al.

(10) **Patent No.:** **US D962,697 S**

(45) **Date of Patent:** **** Sep. 6, 2022**

(54) **BOTTLE LID**

(71) Applicants: **Xiuxiu Li**, Chuzhou (CN); **Linfang Tan**, Huainan (CN)

(72) Inventors: **Xiuxiu Li**, Chuzhou (CN); **Linfang Tan**, Huainan (CN)

(**) Term: **15 Years**

(21) Appl. No.: **29/736,483**

(22) Filed: **Jun. 1, 2020**

(51) **LOC (13) Cl.** **07-02**

(52) **U.S. Cl.**
USPC **D7/392.1**

(58) **Field of Classification Search**
USPC D7/387, 391, 392, 392.1, 396.1, 396.2,
D7/397; D9/434, 435, 436, 443, 447,
D9/448, 449, 439, 440, 454
CPC A45F 3/18; C02F 2201/3222; B65D
2251/0003; B65D 2251/0015; B65D
2251/0078; B65D 2251/08; B65D
47/0885; B65D 47/0876; A47G 19/2272
See application file for complete search history.

(56) **References Cited**

U.S. PATENT DOCUMENTS

D686,448 S * 7/2013 Boroski D7/392.1
D748,943 S * 2/2016 Miller D7/392.1
D887,776 S * 6/2020 Bo D7/392.1

D900,539 S * 11/2020 Yao D7/392.1
D905,499 S * 12/2020 Zhang D9/450
D922,819 S * 6/2021 Wang D9/450
D923,397 S * 6/2021 Lin D9/449
D925,279 S * 7/2021 Wang D7/396.2
D929,802 S * 9/2021 Han D7/392.1
D940,501 S * 1/2022 Burga D7/392.1
D941,086 S * 1/2022 Zhou D7/392.1
D943,342 S * 2/2022 Hao D7/392.1
D947,597 S * 4/2022 Shi D7/392.1
2022/0033148 A1 * 2/2022 Filiau B65D 47/305

* cited by examiner

Primary Examiner — Catherine S Posthauer

(57) **CLAIM**

The ornamental design for a bottle lid, as shown and described.

DESCRIPTION

FIG. 1 is a perspective view of a bottle lid showing my new design;
FIG. 2 is a front elevational view thereof;
FIG. 3 is a rear elevational view thereof;
FIG. 4 is a left side elevational view thereof;
FIG. 5 is a right side elevational view thereof;
FIG. 6 is a top plan view thereof;
FIG. 7 is a bottom plan view thereof; and,
FIG. 8 is another perspective view thereof, showing the inner part of the bottle lid.
The broken lines in the figures depict the portions of the bottle lid that form no part of the claimed design.

1 Claim, 8 Drawing Sheets

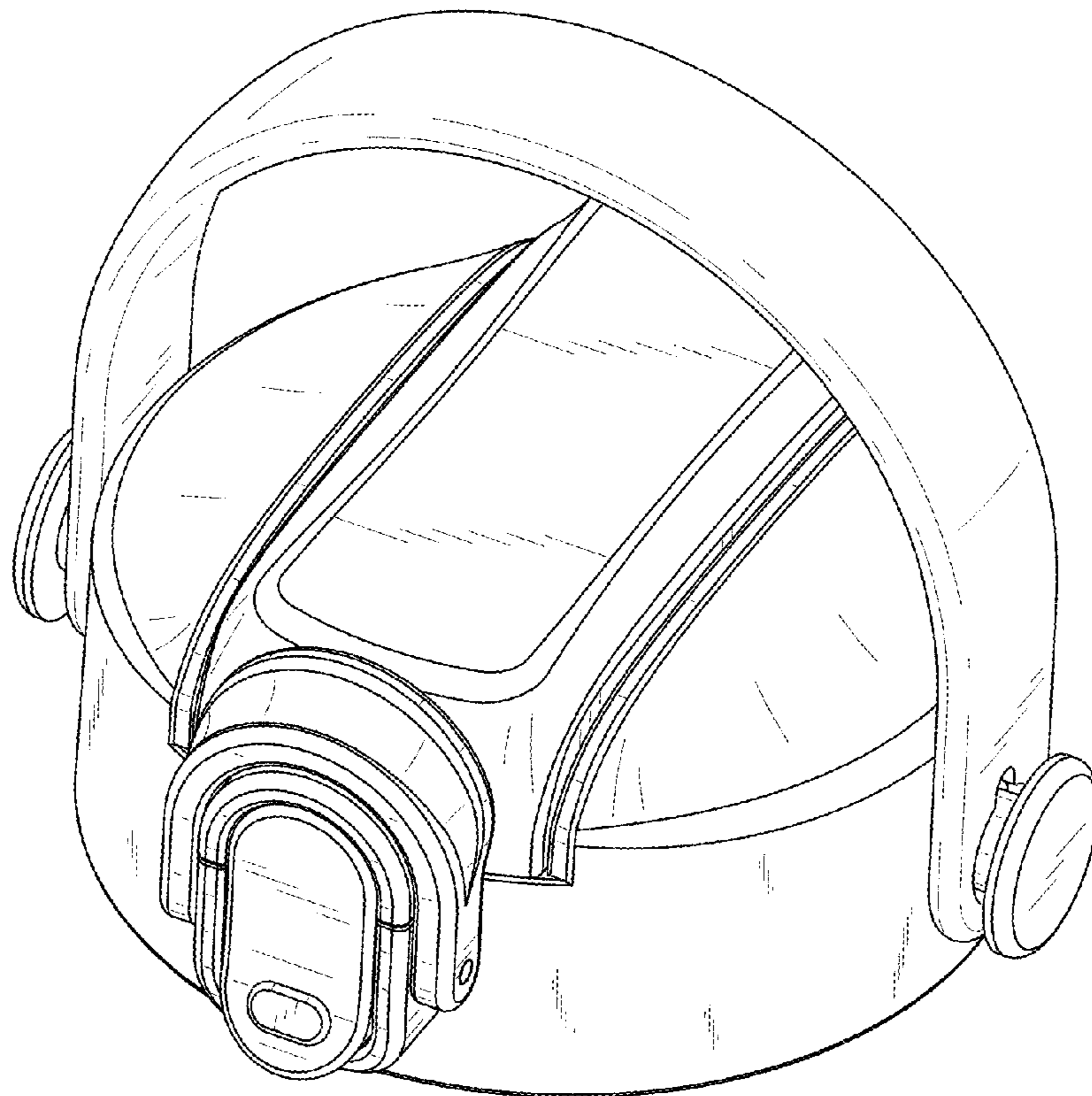




FIG. 1

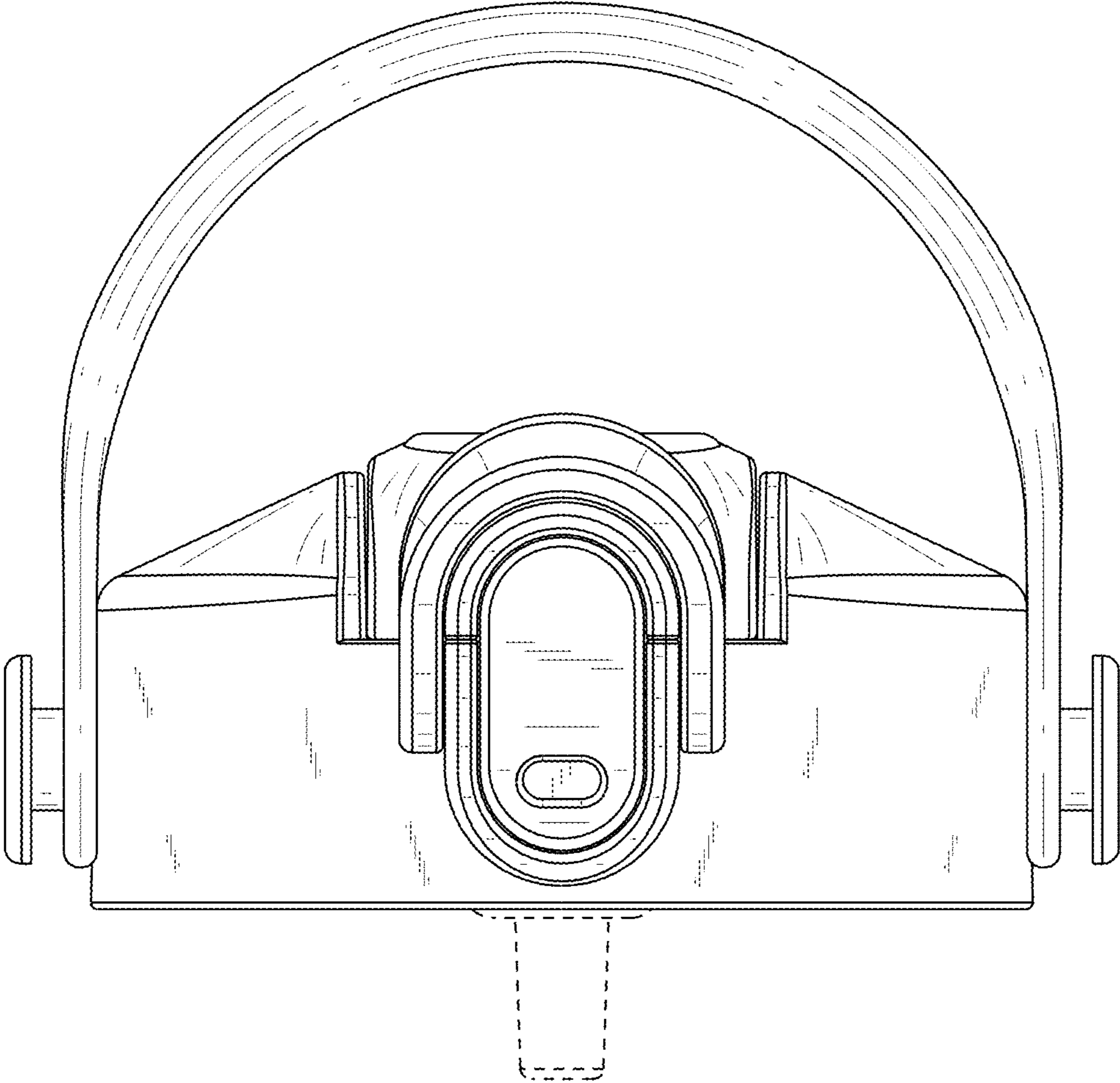


FIG. 2

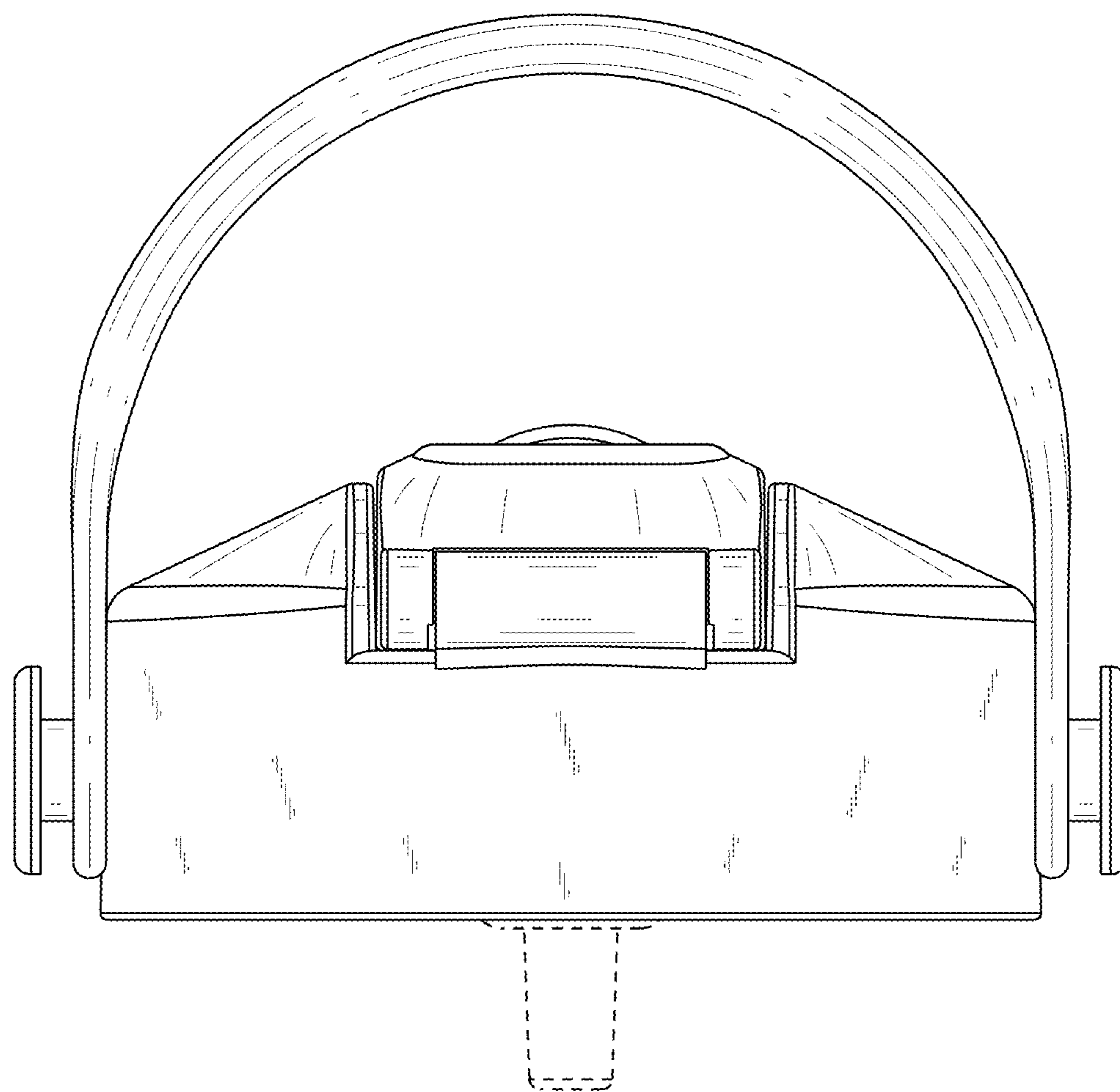


FIG. 3

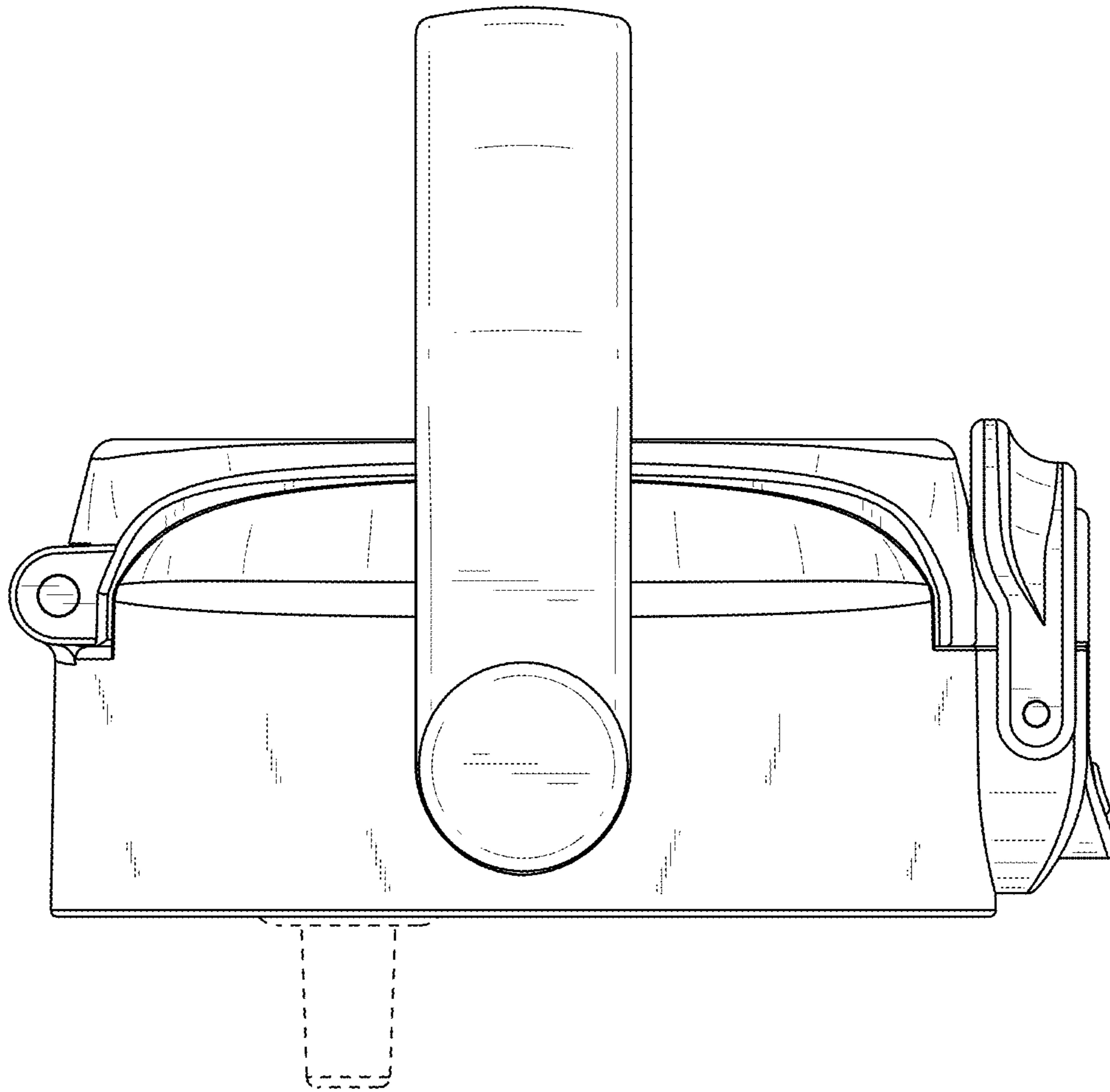


FIG. 4

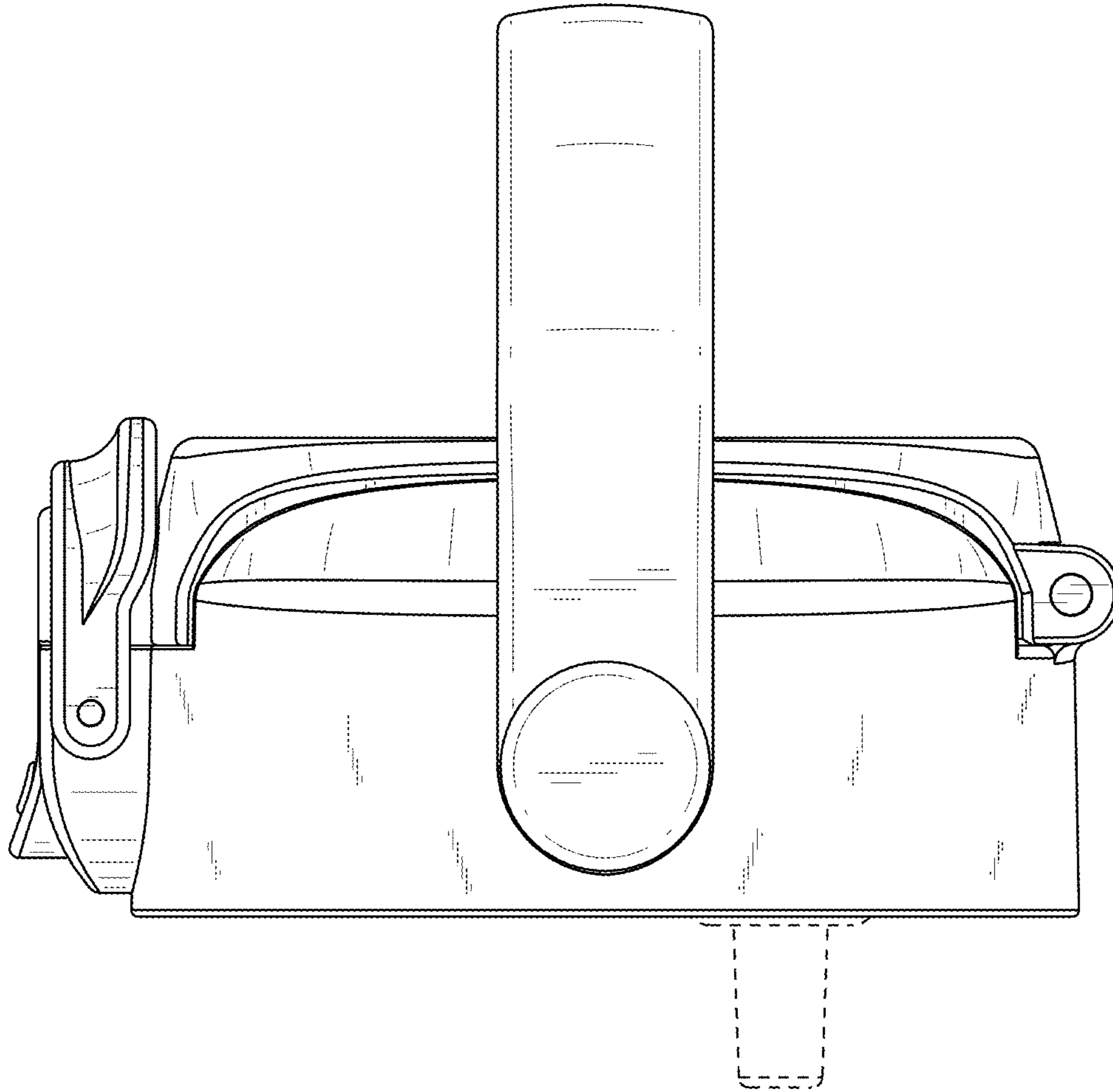


FIG. 5

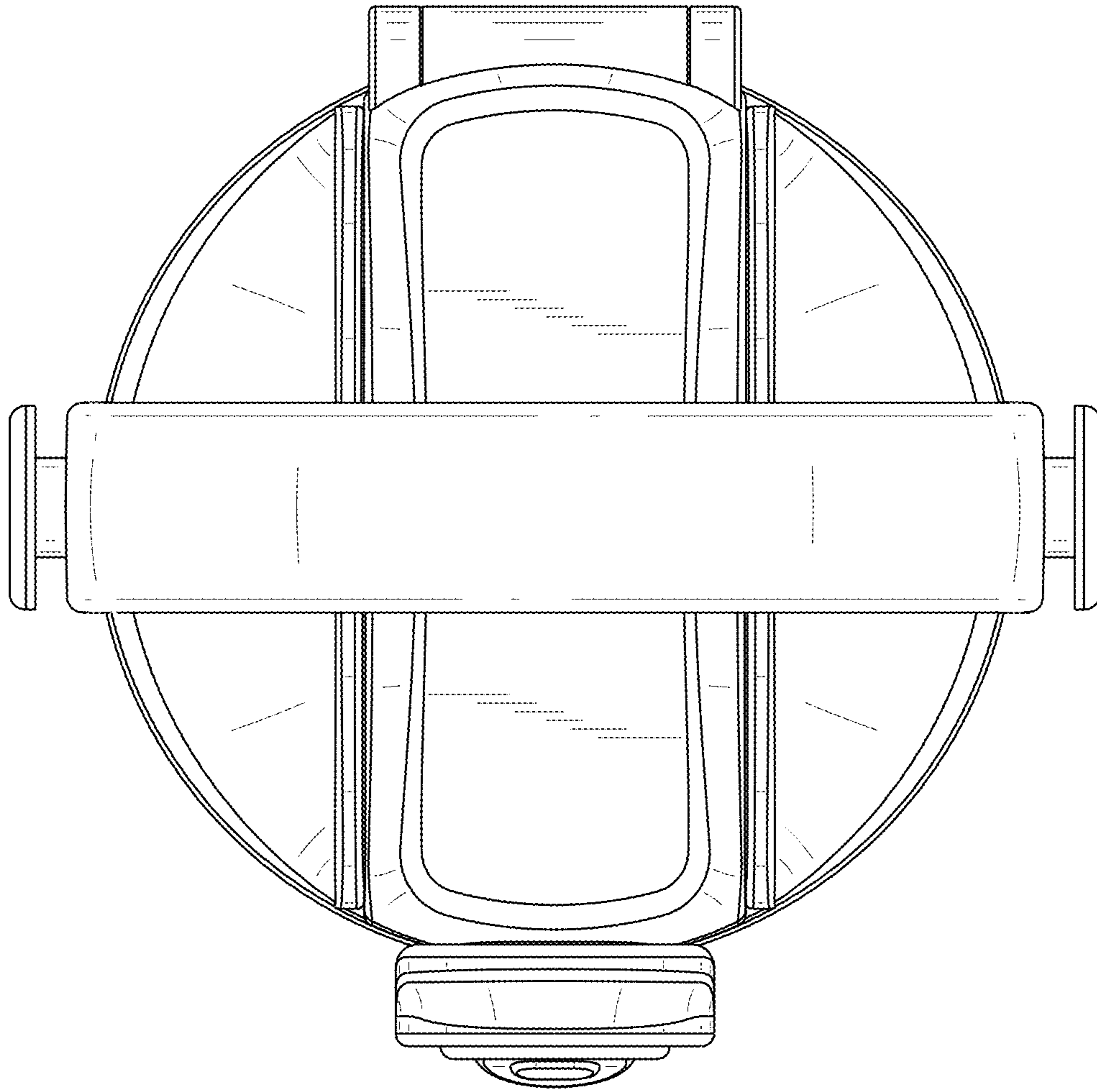


FIG. 6

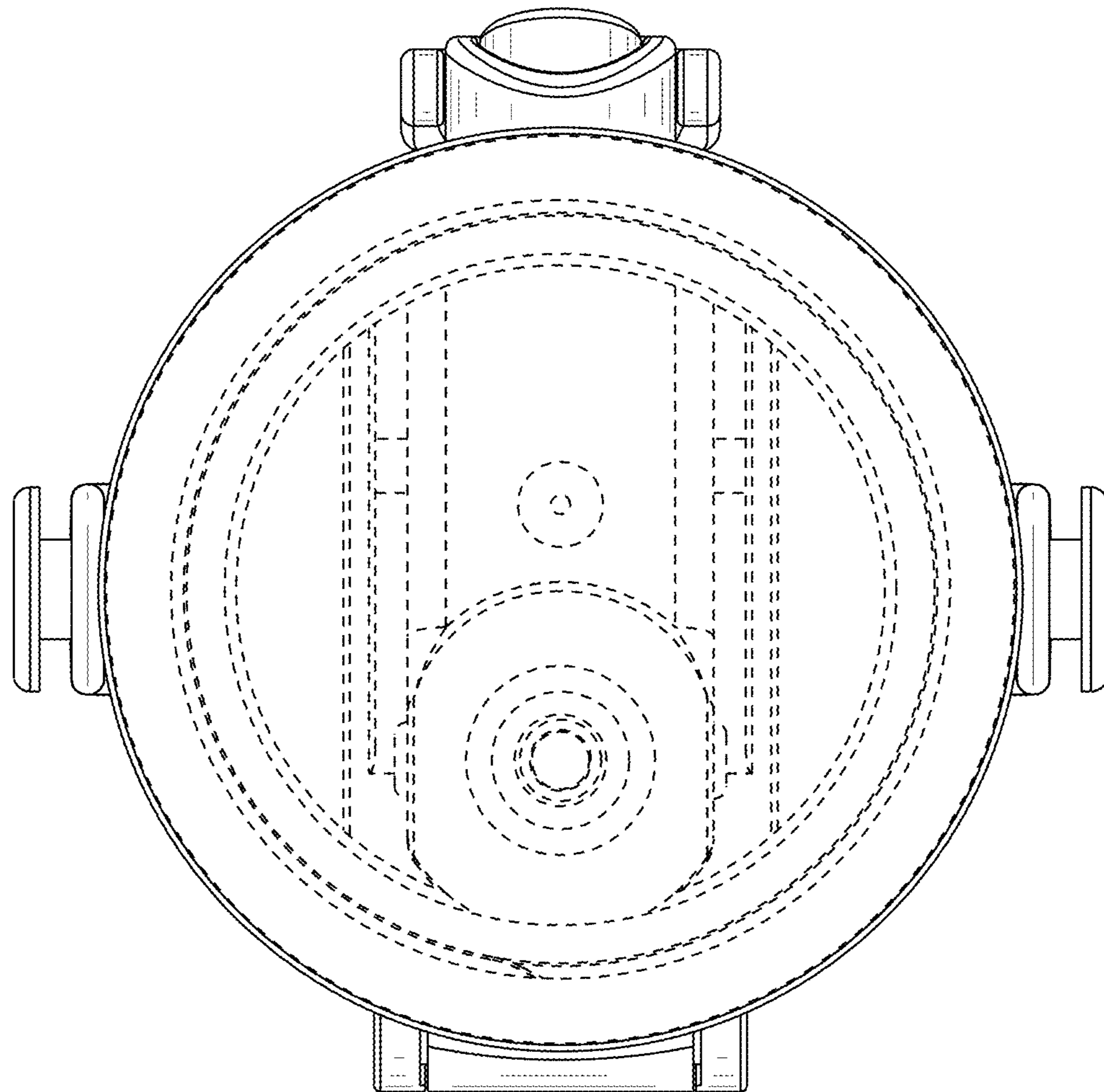


FIG. 7



FIG. 8