

US00D962696S

(12) **United States Design Patent**
Johnson

(10) **Patent No.:** **US D962,696 S**

(45) **Date of Patent:** **** Sep. 6, 2022**

(54) **DISPOSABLE MICROWAVE OVEN FOOD COVER**

(71) Applicant: **Ronald Johnson**, Everett, WA (US)

(72) Inventor: **Ronald Johnson**, Everett, WA (US)

(**) Term: **15 Years**

(21) Appl. No.: **29/724,138**

(22) Filed: **Feb. 12, 2020**

(51) **LOC (13) Cl.** **07-02**

(52) **U.S. Cl.**

USPC **D7/391**

(58) **Field of Classification Search**

USPC D1/105; D7/323, 354–363, 391,
D7/393–396, 409, 566, 586

CPC A47G 19/12; A47J 27/00; A47J 27/002;
A47J 27/05; A47J 27/08; A47J 27/21;
A47J 27/58; A47J 36/025; A47J 36/06;
A47J 36/12; A47J 37/00; A47J 37/005;
A47J 37/10; A47J 37/101; A47J 37/103;
A47J 37/12; A47J 37/1204; A47J 45/061;
A47J 45/071; A47J 45/08; E04H 15/40;
H05B 6/12

See application file for complete search history.

(56) **References Cited**

U.S. PATENT DOCUMENTS

D148,891 S *	3/1948	Suman	D7/566
4,721,140 A *	1/1988	Coker	A47J 37/101 219/734
4,801,773 A	1/1989	Hanlon		
4,891,482 A	1/1990	Jaegar et al.		
5,311,813 A *	5/1994	Fairbanks	A47J 47/005 135/96
6,803,552 B1	10/2004	Irizarry et al.		
7,244,915 B2	7/2007	Wright		
7,326,895 B1	2/2008	Henderson		
7,414,229 B2	8/2008	Hellmann et al.		
7,586,068 B2	9/2009	Shaw et al.		

(Continued)

Primary Examiner — Ricky Pham

(74) *Attorney, Agent, or Firm* — Houda El-Jarrah; Bold IP, PLLC

(57) **CLAIM**

The ornamental design for a disposable microwave oven food cover, as shown and described.

DESCRIPTION

FIG. 1 is a perspective view of a disposable microwave oven food cover according to the present invention.

FIG. 2 is right side view of the disposable microwave oven food cover shown in FIG. 1 where the opposite side is identical.

FIG. 3 is a left side view of the disposable microwave oven food cover shown in FIG. 1 where the opposite side is identical.

FIG. 4 is a top view of the disposable microwave oven food cover shown in FIG. 1.

FIG. 5 is a bottom view of the disposable microwave oven food cover shown in FIG. 1.

FIG. 6 is a perspective view of the disposable microwave oven food cover shown in FIG. 1 in a folded configuration.

FIG. 7 is a front view of the disposable microwave oven food cover shown in FIG. 1 in a folded configuration.

FIG. 8 is a rear view of the disposable microwave oven food cover shown in FIG. 1 in a folded configuration.

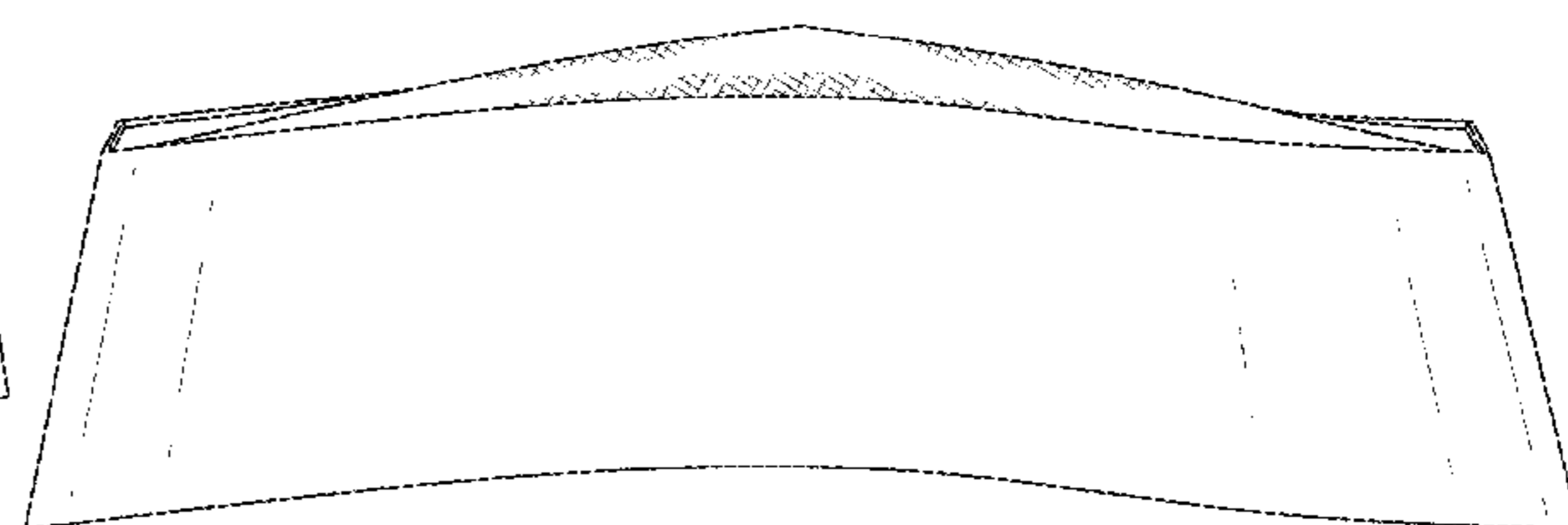
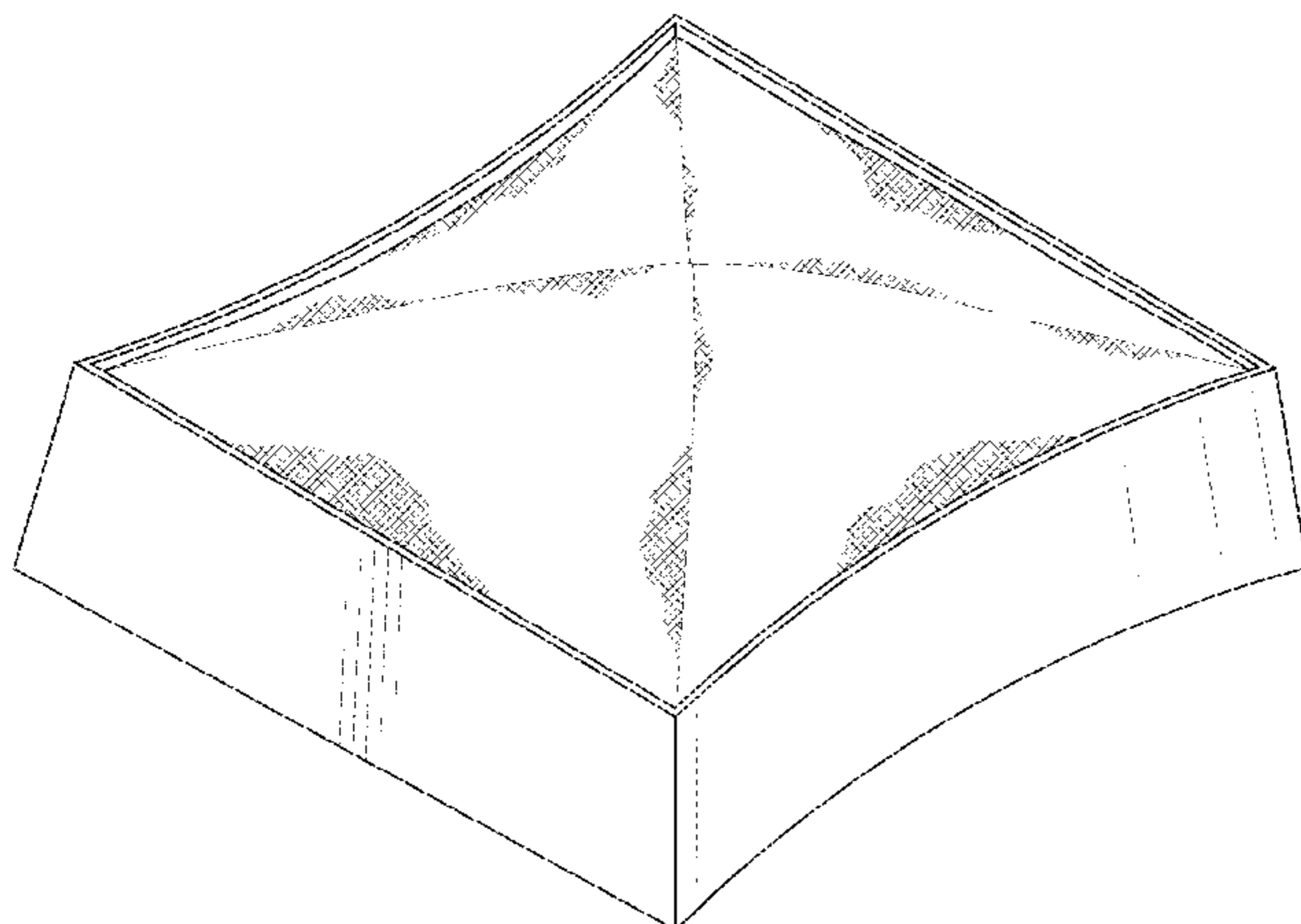
FIG. 9 is a side view of the disposable microwave oven food cover shown in FIG. 1 in a folded configuration where the opposite side is a mirror image.

FIG. 10 is a top view of the disposable microwave oven food cover shown in FIG. 1 in a folded configuration; and,

FIG. 11 is a bottom view the disposable microwave oven food cover shown in FIG. 1 in a folded configuration.

The broken lines are to disclose the environmental elements related to the claimed design, which form no part of the claimed design.

1 Claim, 11 Drawing Sheets



(56)

References Cited

U.S. PATENT DOCUMENTS

7,717,285	B2	5/2010	Price	
D618,514	S *	6/2010	Wolhendler	D7/586
7,820,952	B2	10/2010	Gomez	
D636,230	S *	4/2011	Koennecke	D7/545
D656,790	S *	4/2012	Clarichetti	D7/570
8,899,253	B1 *	12/2014	Watson	E04H 15/40 135/913
D749,895	S	2/2016	Williams	
9,655,471	B2	5/2017	Zaczyk	
9,674,902	B2	6/2017	Farah	
D842,029	S	3/2019	Barber	
D883,734	S *	5/2020	Zemel	D7/391
D890,467	S *	7/2020	Booth	D1/105
2003/0205575	A1	11/2003	DeWinter	
2004/0217113	A1	11/2004	Dancu	
2009/0321431	A1	12/2009	Farag et al.	
2013/0153596	A1	6/2013	Taylor	

* cited by examiner

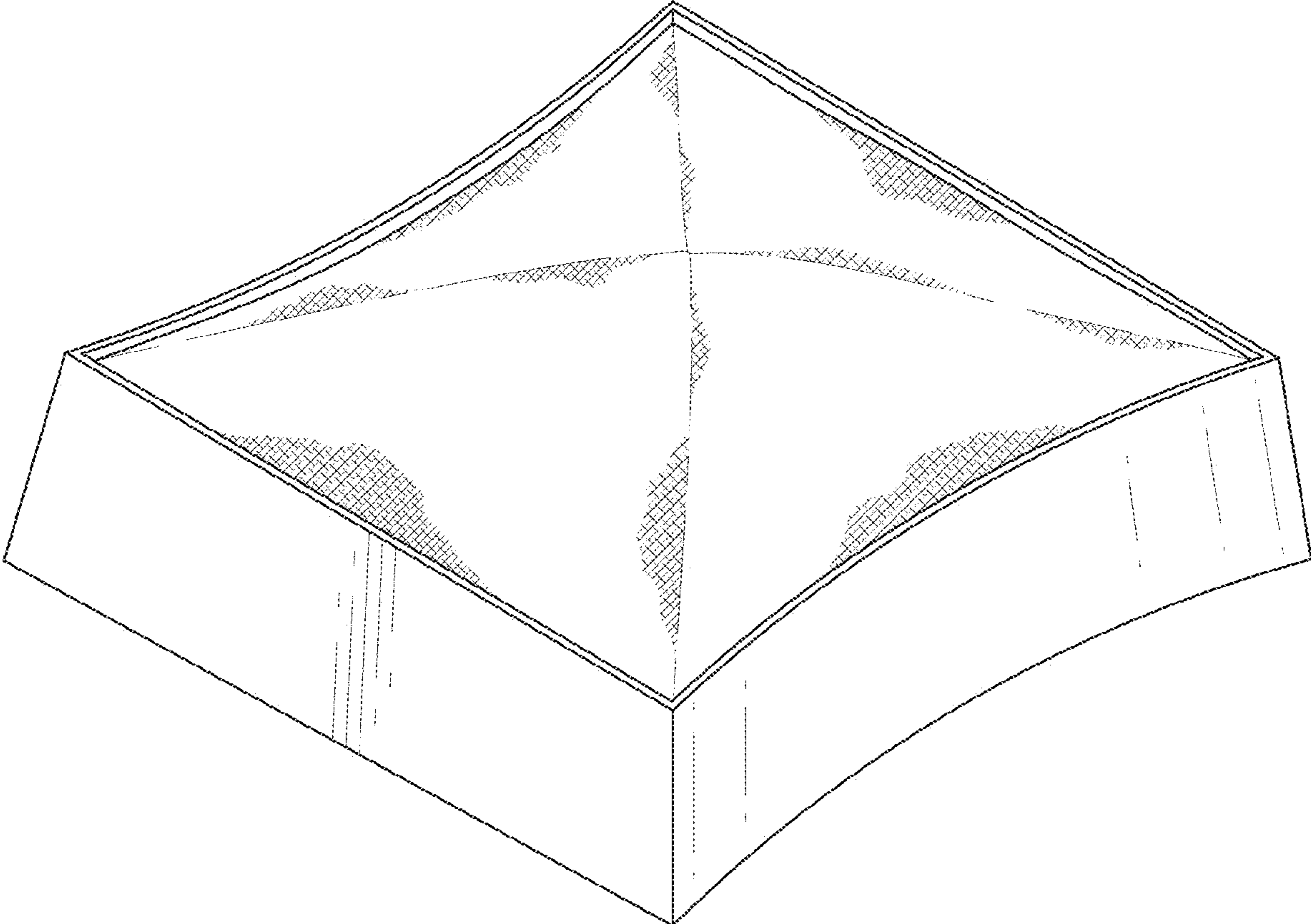


FIG. 1

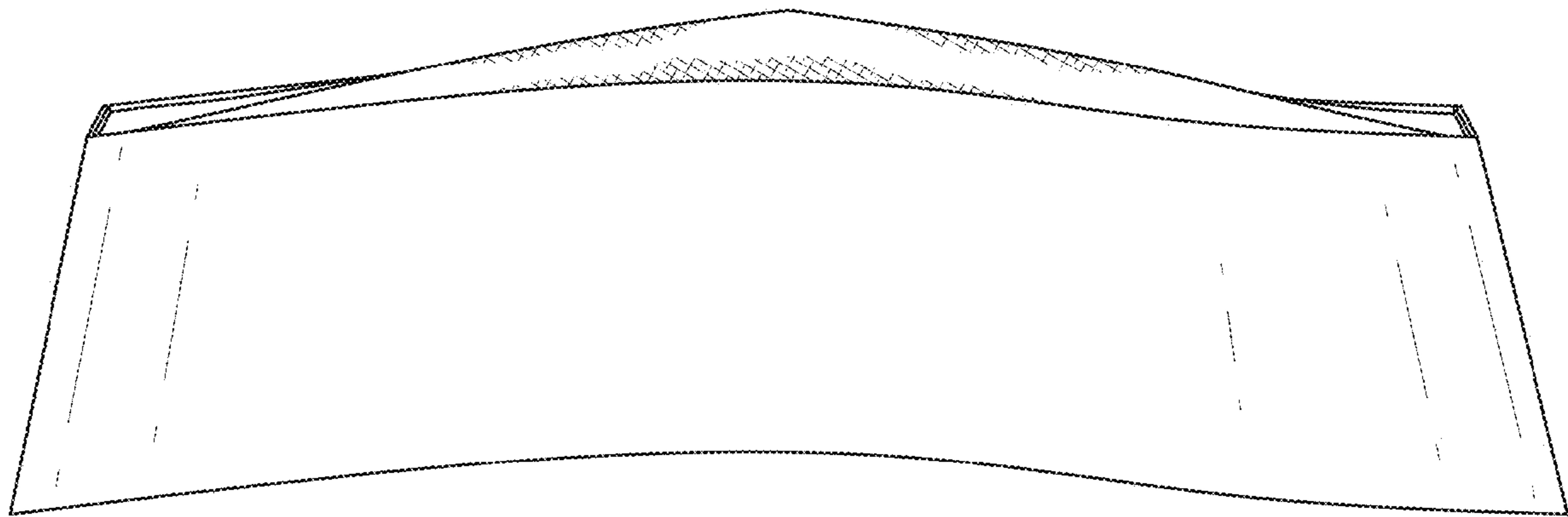


FIG. 2

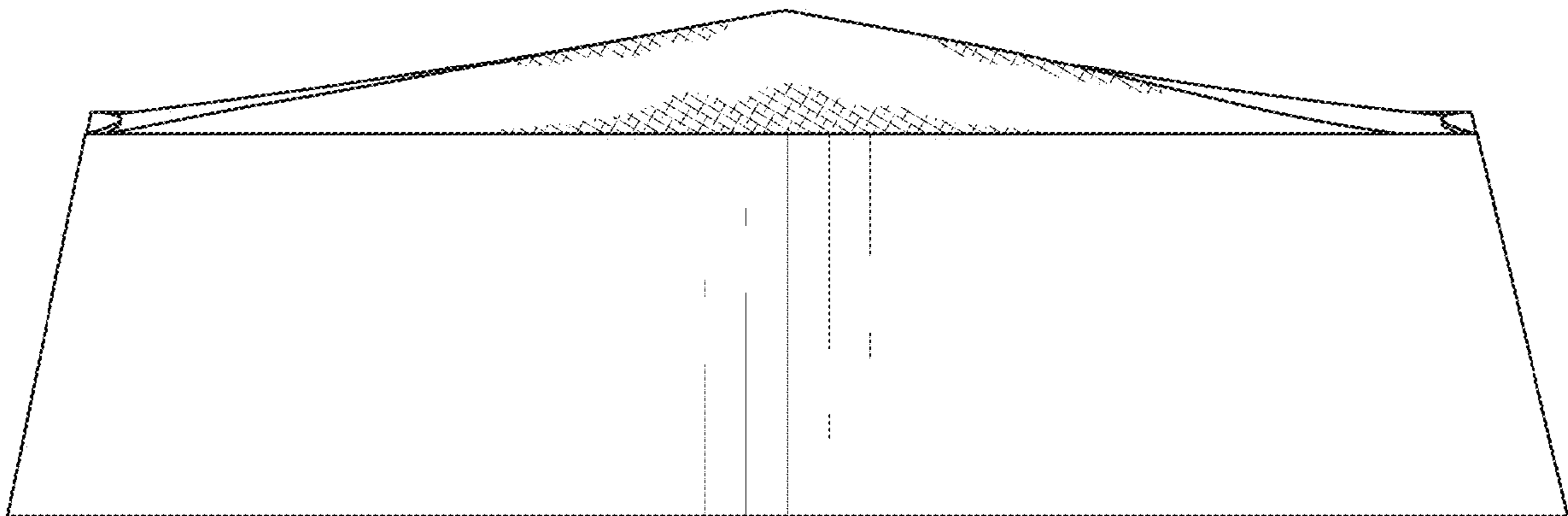


FIG. 3

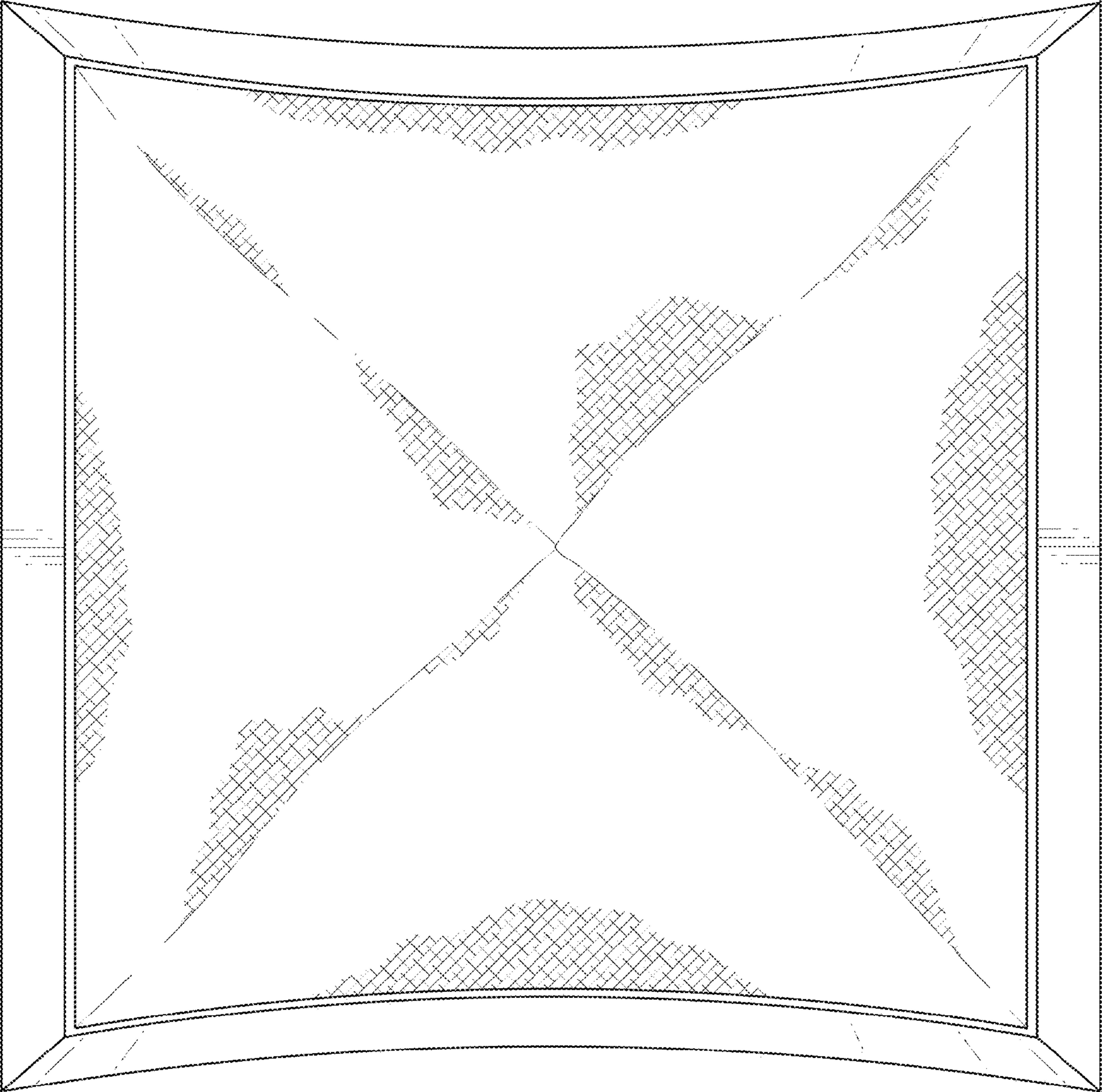


FIG. 4

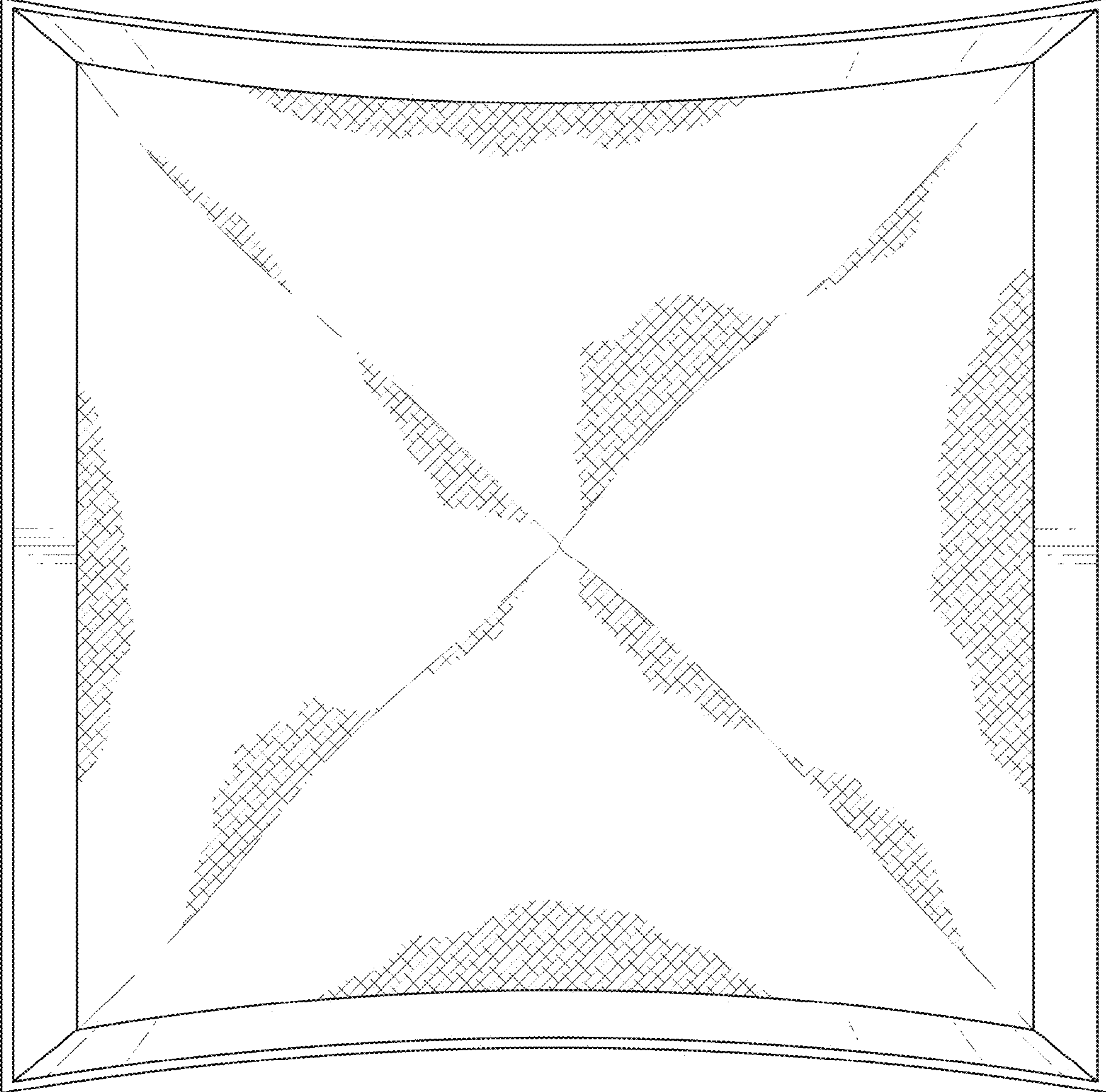


FIG. 5

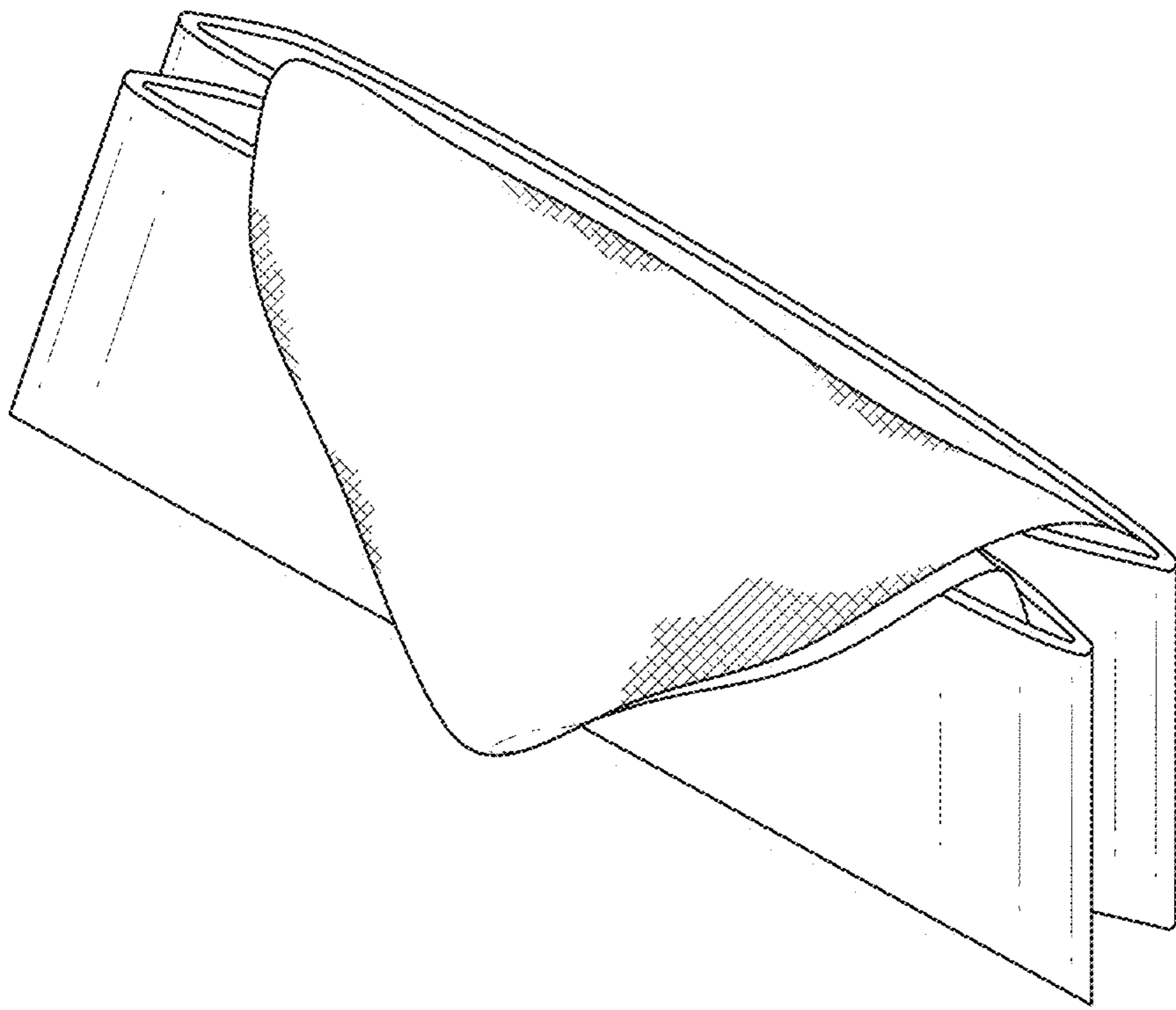


FIG. 6

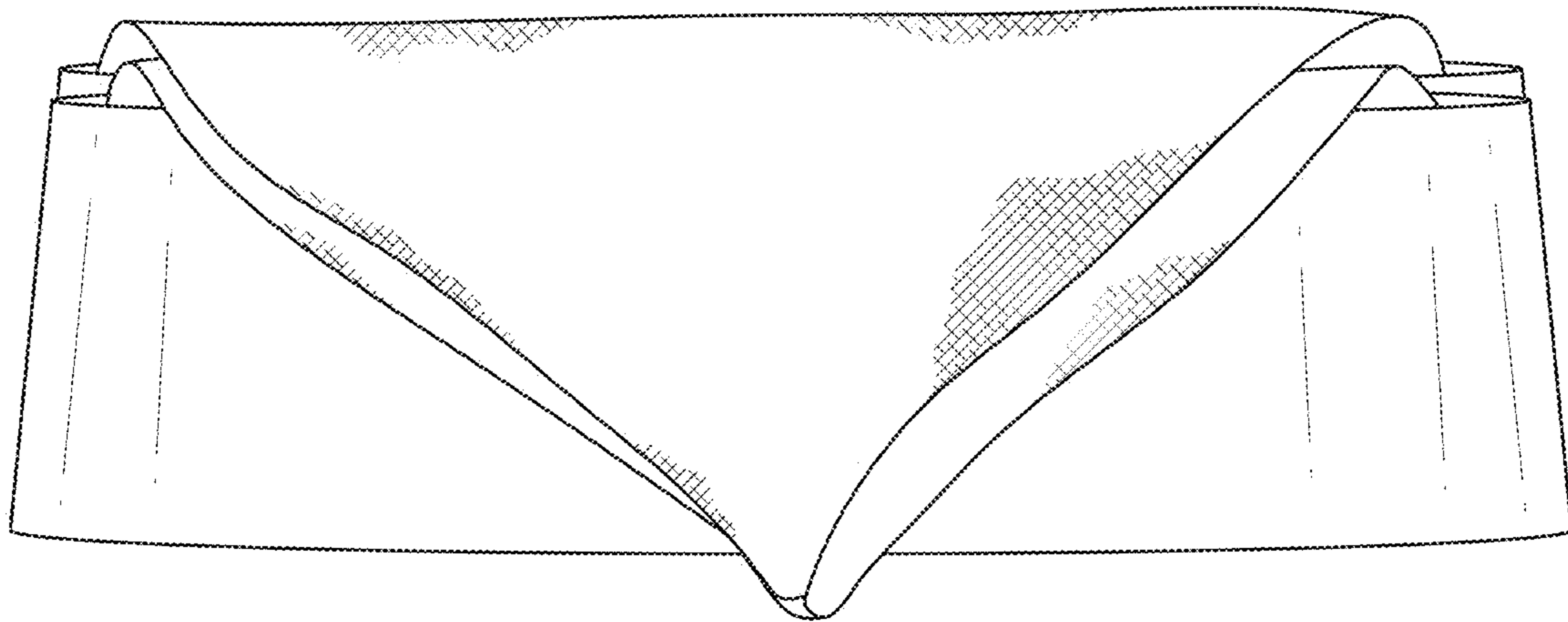


FIG. 7

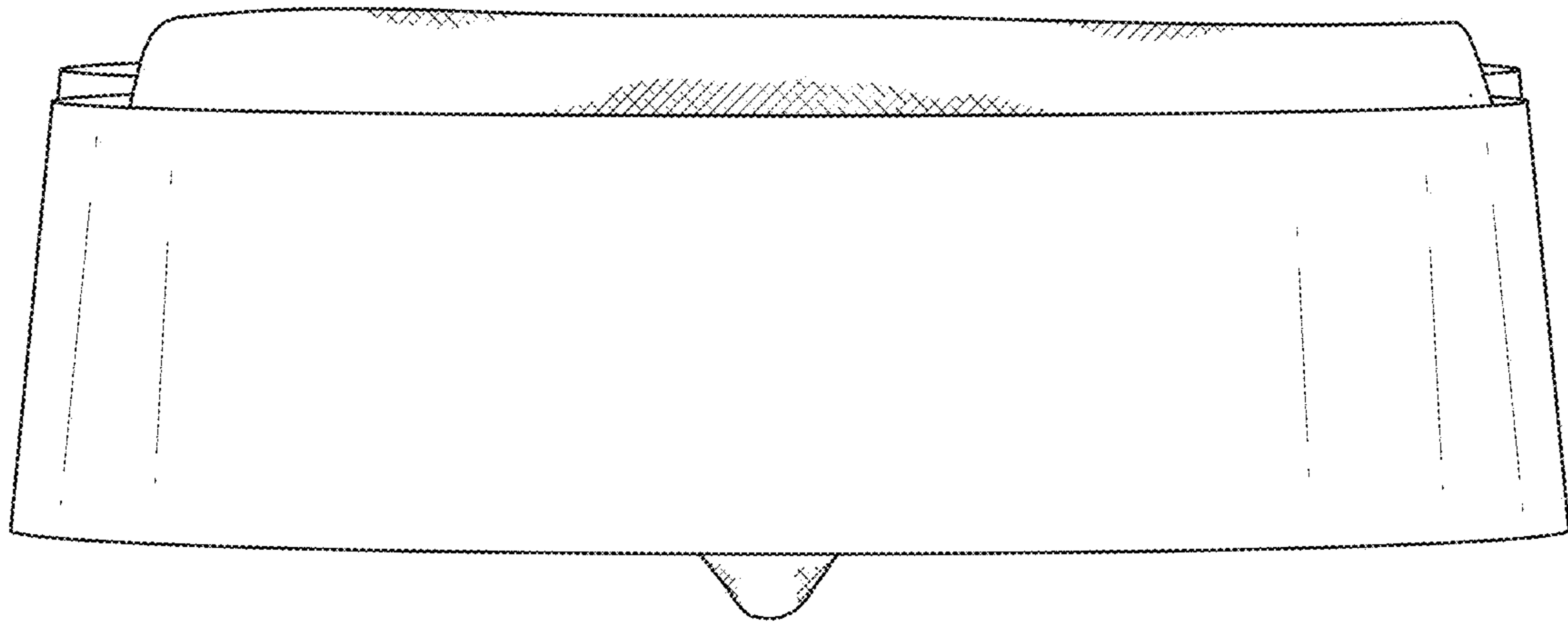


FIG. 8

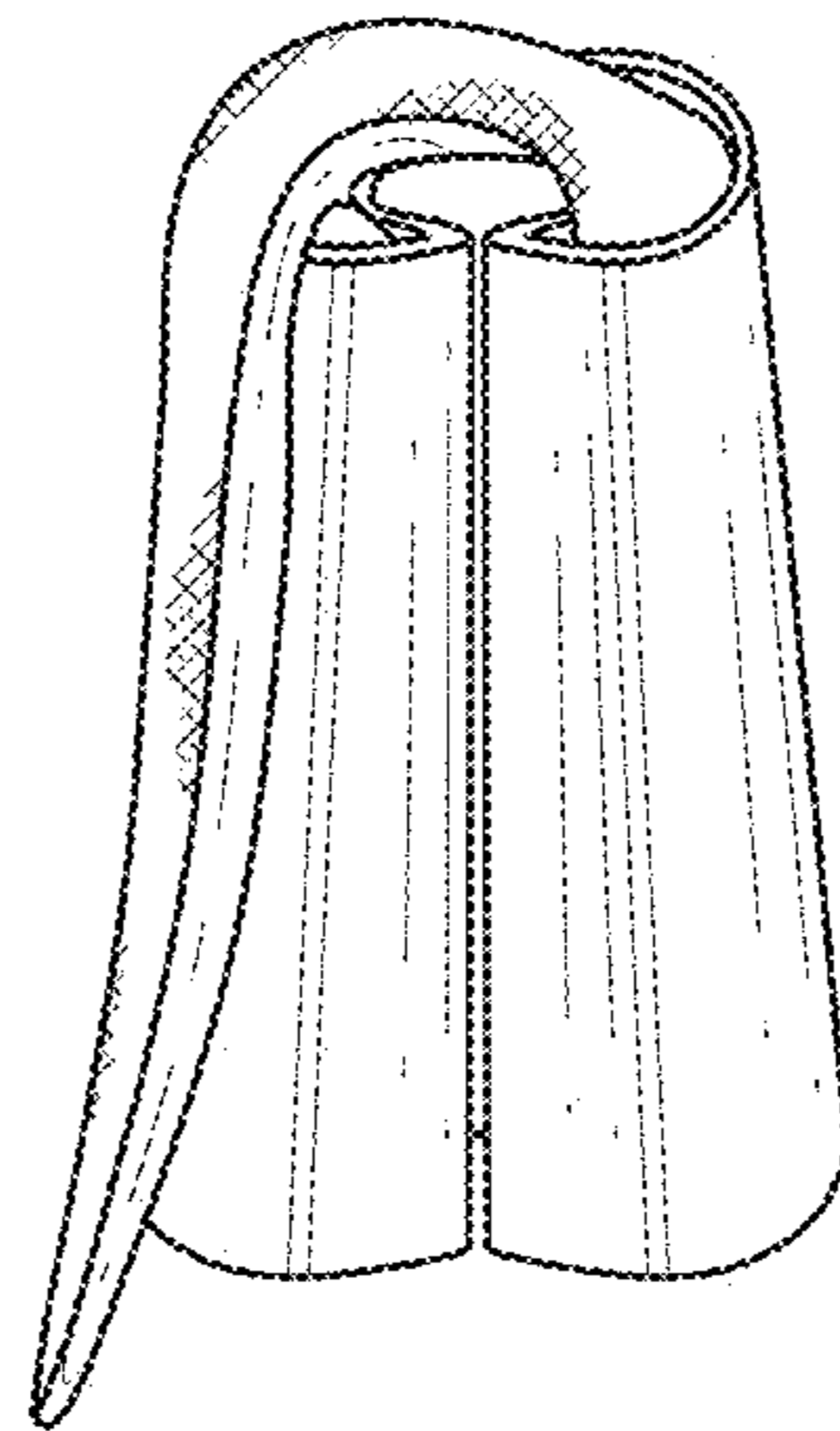


FIG. 9

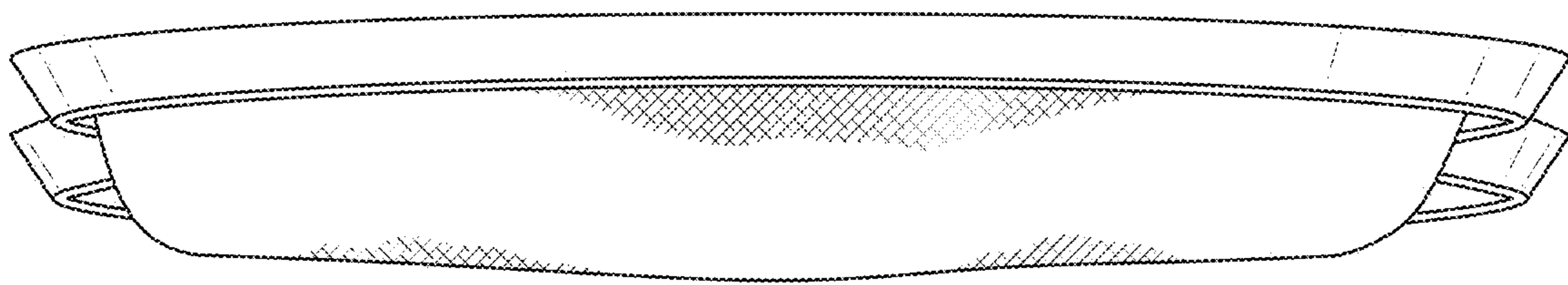


FIG. 10

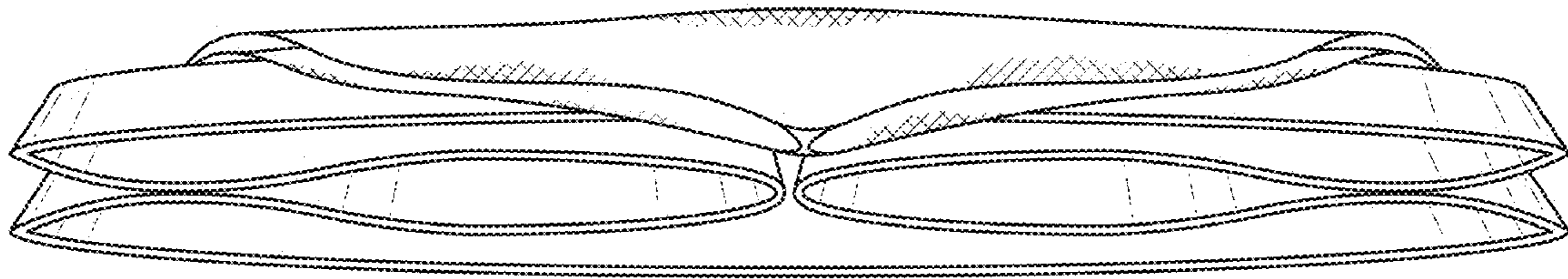


FIG. 11