

US00D962693S

(12) **United States Design Patent**
Cometti

(10) **Patent No.:** **US D962,693 S**

(45) **Date of Patent:** **** Sep. 6, 2022**

(54) **COFFEE MACHINE**
(71) Applicant: **Gruppo Cimbali S.p.A.**, Binasco (IT)
(72) Inventor: **Valerio Cometti**, Binasco (IT)
(73) Assignee: **GRUPPO CIMBALI S.p.A.**, Binasco (IT)
(**) Term: **15 Years**

D742,169 S * 11/2015 Grassia A47J 31/057
D7/399
D807,675 S * 1/2018 De' Longhi D7/309
D821,132 S * 6/2018 Cometti D7/309
D824,713 S * 8/2018 Steiner D7/309
D835,446 S * 12/2018 Cometti D7/309
D936,405 S * 11/2021 Vaona F16J 1/008
D7/309
2016/0296061 A1* 10/2016 Psarologos A47J 31/42
(Continued)

(21) Appl. No.: **29/712,498**
(22) Filed: **Nov. 8, 2019**

(30) **Foreign Application Priority Data**

May 9, 2019 (EM) 006433553

(51) **LOC (13) Cl.** **07-02**
(52) **U.S. Cl.**
USPC **D7/309**

(58) **Field of Classification Search**
USPC D7/300, 300.1, 301, 304-322, 372-373,
D7/386, 387, 397-401, 412, 414,
D7/509-511, 538, 589-590, 598,
D7/601-602, 605, 608, 629; D3/202;
D20/4-5; D23/201; D24/197, 216,
D24/219-220, 224; 99/275; 222/129.1
CPC A47J 31/00-605; A47J 42/00; A47J 42/02;
A47J 42/04; A47J 42/06; A47J 42/08;
A47J 42/10; A47J 42/12; A47J 42/14;
A47J 42/16; A47J 42/18; A47J 42/20
See application file for complete search history.

(56) **References Cited**

U.S. PATENT DOCUMENTS

D413,757 S * 9/1999 Vigner Munoz D7/309
6,901,846 B2 * 6/2005 Ruckstuhl A47J 31/3614
99/287
D675,677 S * 2/2013 Barili D20/4

OTHER PUBLICATIONS

LaCimbali—S60, first available Oct. 17, 2019, Facebook, [online], [site visited Jul. 9, 2021], Available from internet URL: <https://www.facebook.com/CimbaliOfficial/videos/lacimbali-s60/400468394226161/> (Year: 2019).*

(Continued)

Primary Examiner — Mary Ann Calabrese
Assistant Examiner — Natalya M Rapundalo
(74) *Attorney, Agent, or Firm* — MH2 Technology Law Group LLP

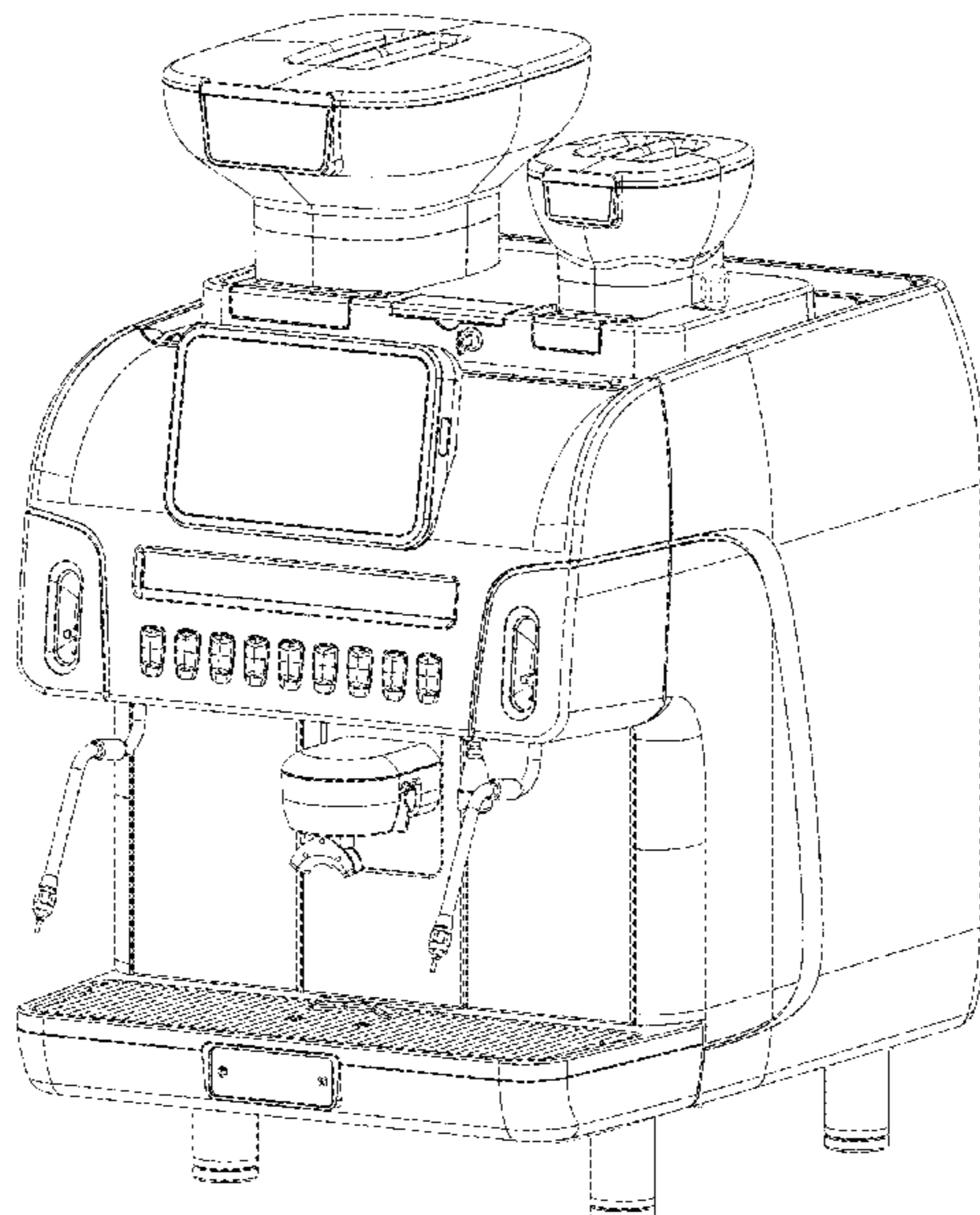
(57) **CLAIM**

The ornamental design for a coffee machine, as shown and described.

DESCRIPTION

FIG. 1 is a right-side elevational view of a coffee machine showing my new design;
FIG. 2 is a front elevational view thereof;
FIG. 3 is a left-side elevational view thereof;
FIG. 4 is a rear elevational view thereof;
FIG. 5 is a top plan view thereof;
FIG. 6 is a top, front, right perspective view thereof; and,
FIG. 7 is a bottom plan view thereof.
The broken lines in FIGS. 1-7 depict portions of the coffee machine that form no part of the claimed design.

1 Claim, 7 Drawing Sheets



(56)

References Cited

U.S. PATENT DOCUMENTS

2019/0021540 A1* 1/2019 Olson A47J 31/057
2021/0401222 A1* 12/2021 Weber F16J 1/008

OTHER PUBLICATIONS

S60 | La Cimbali, Cimbali, [online], [site visited Jul. 6, 2021],
Available from internet URL: <https://www.cimbali.it/prodotti/macchine-superautomatiche/s60#gam> (Year: 2021).*

* cited by examiner

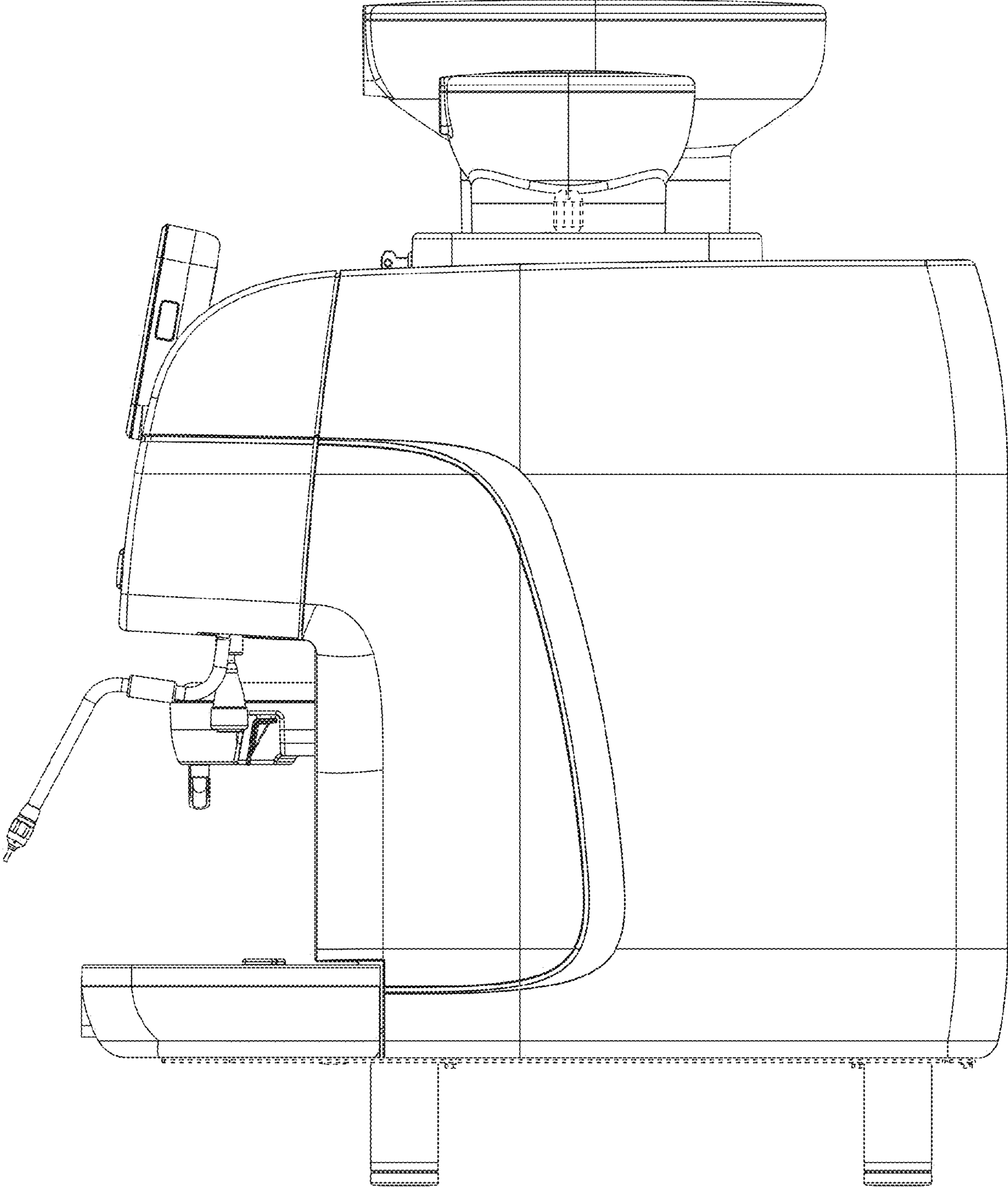


FIG. 1

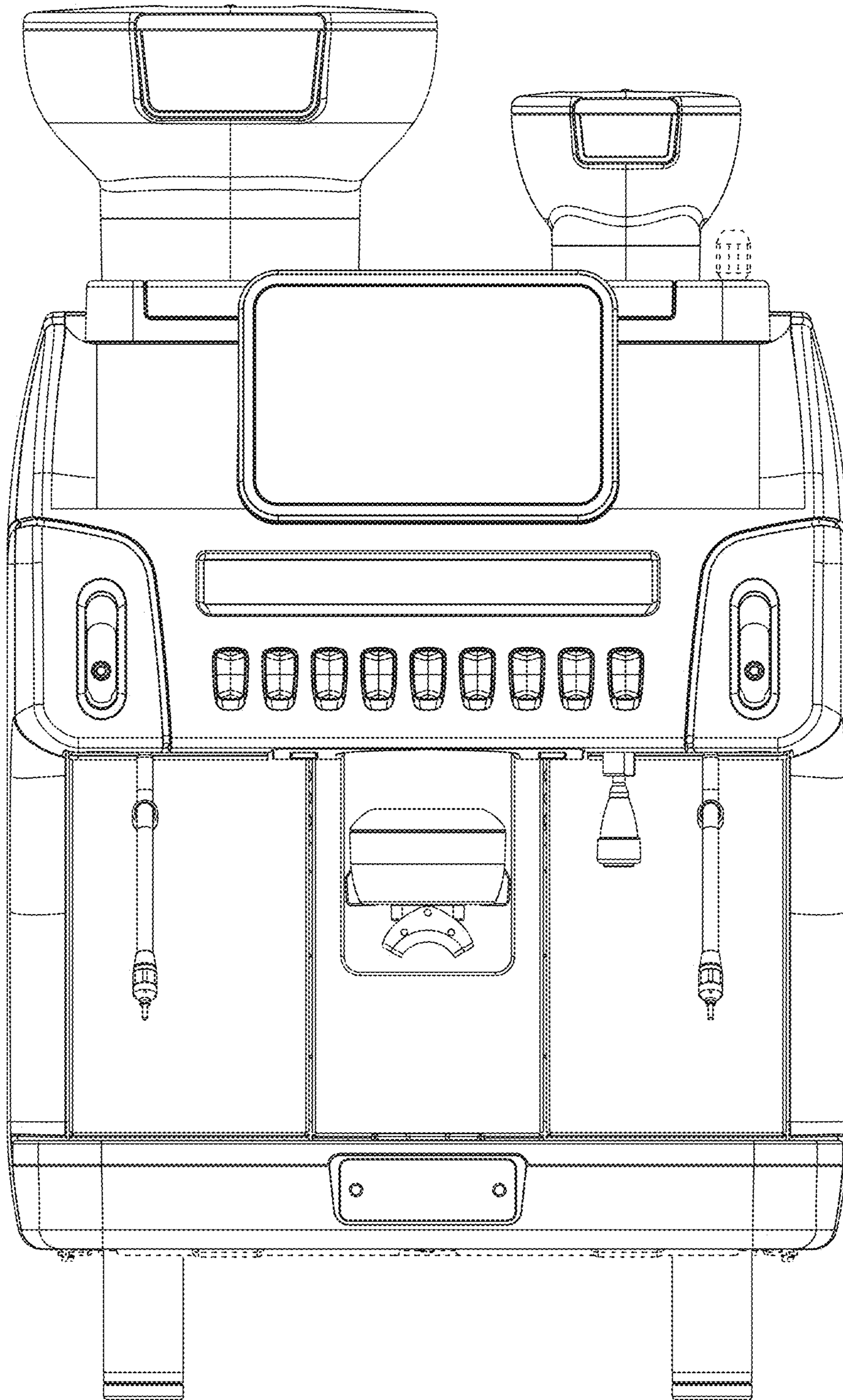


FIG. 2

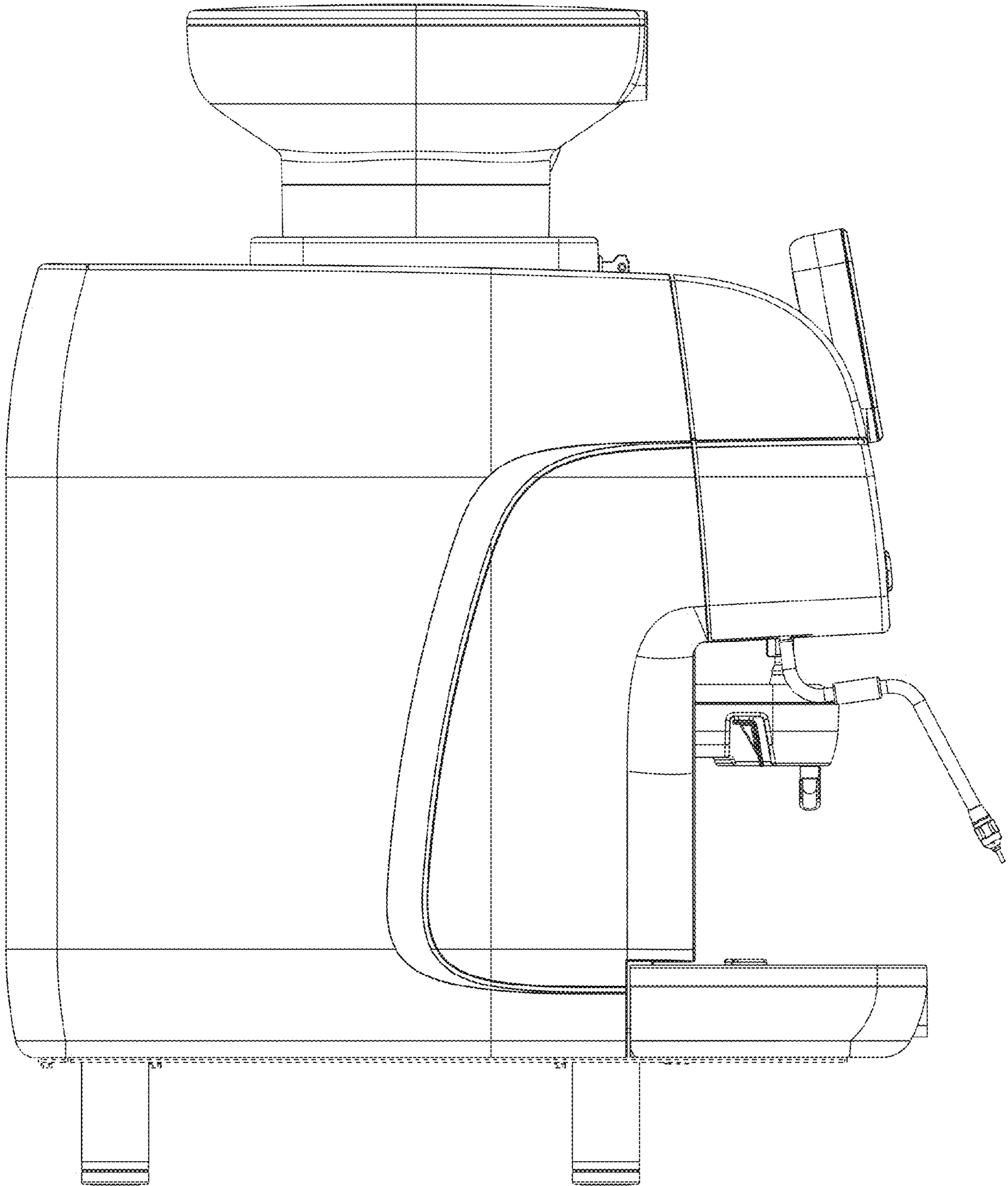


FIG. 3

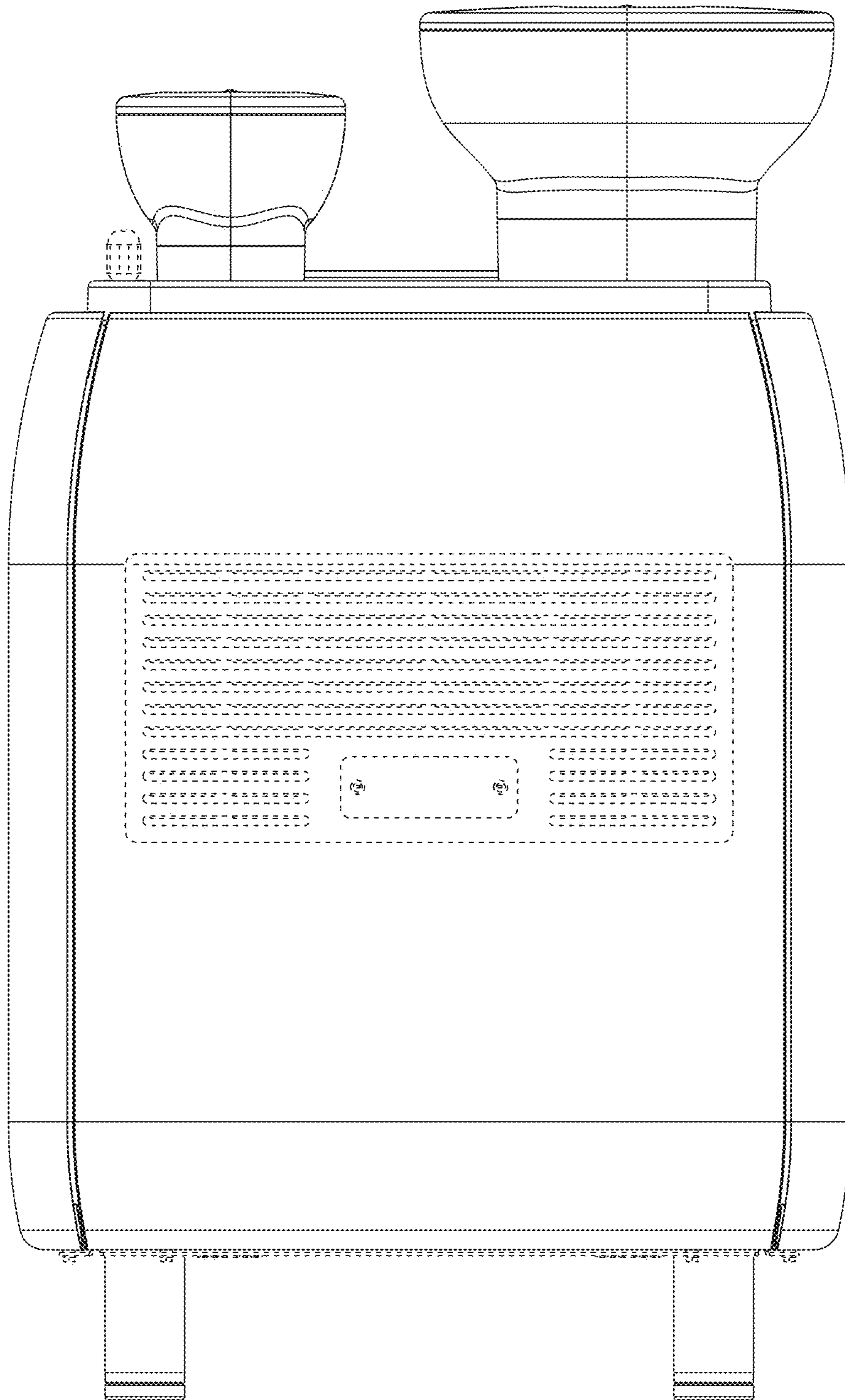


FIG. 4

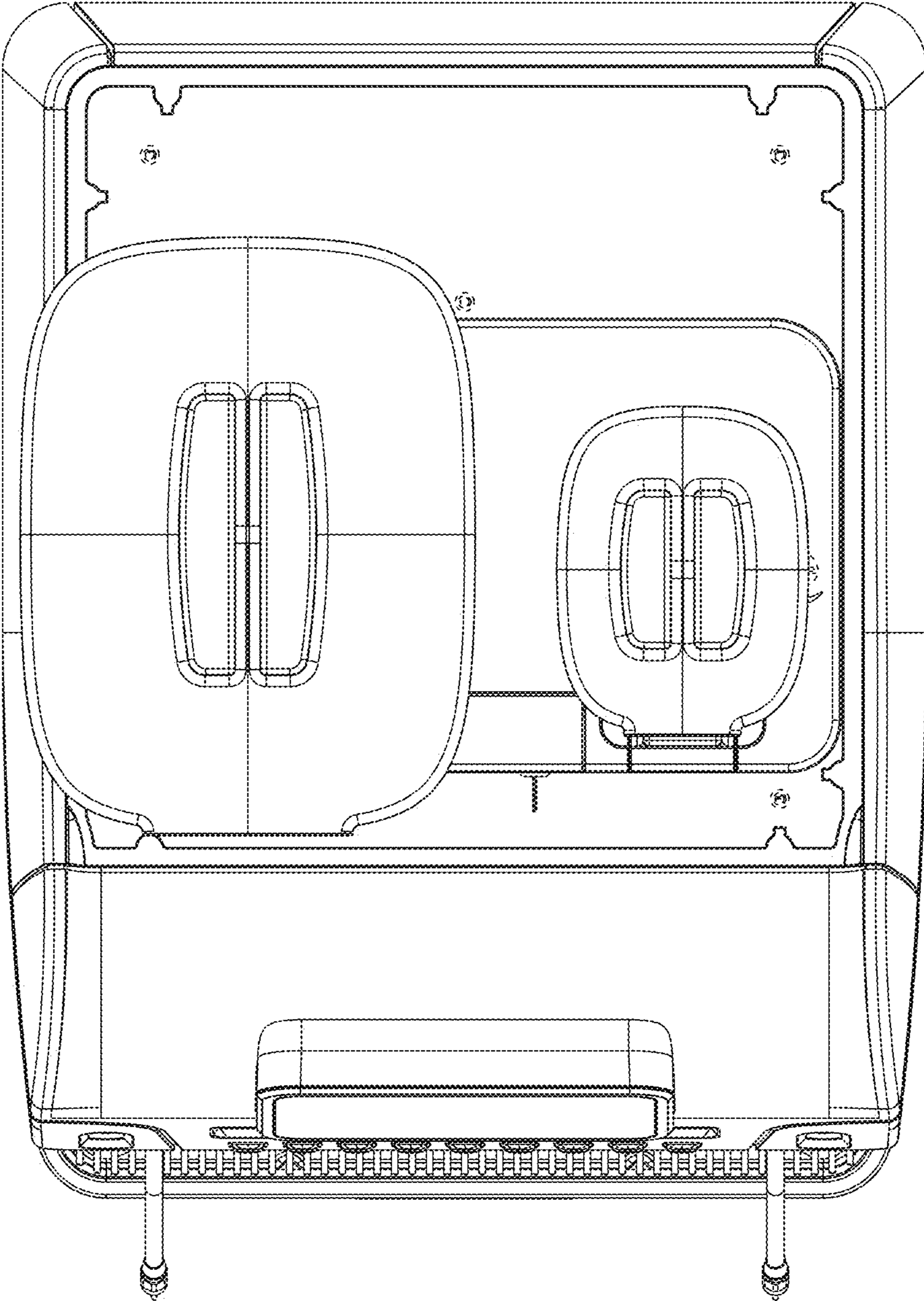


FIG. 5

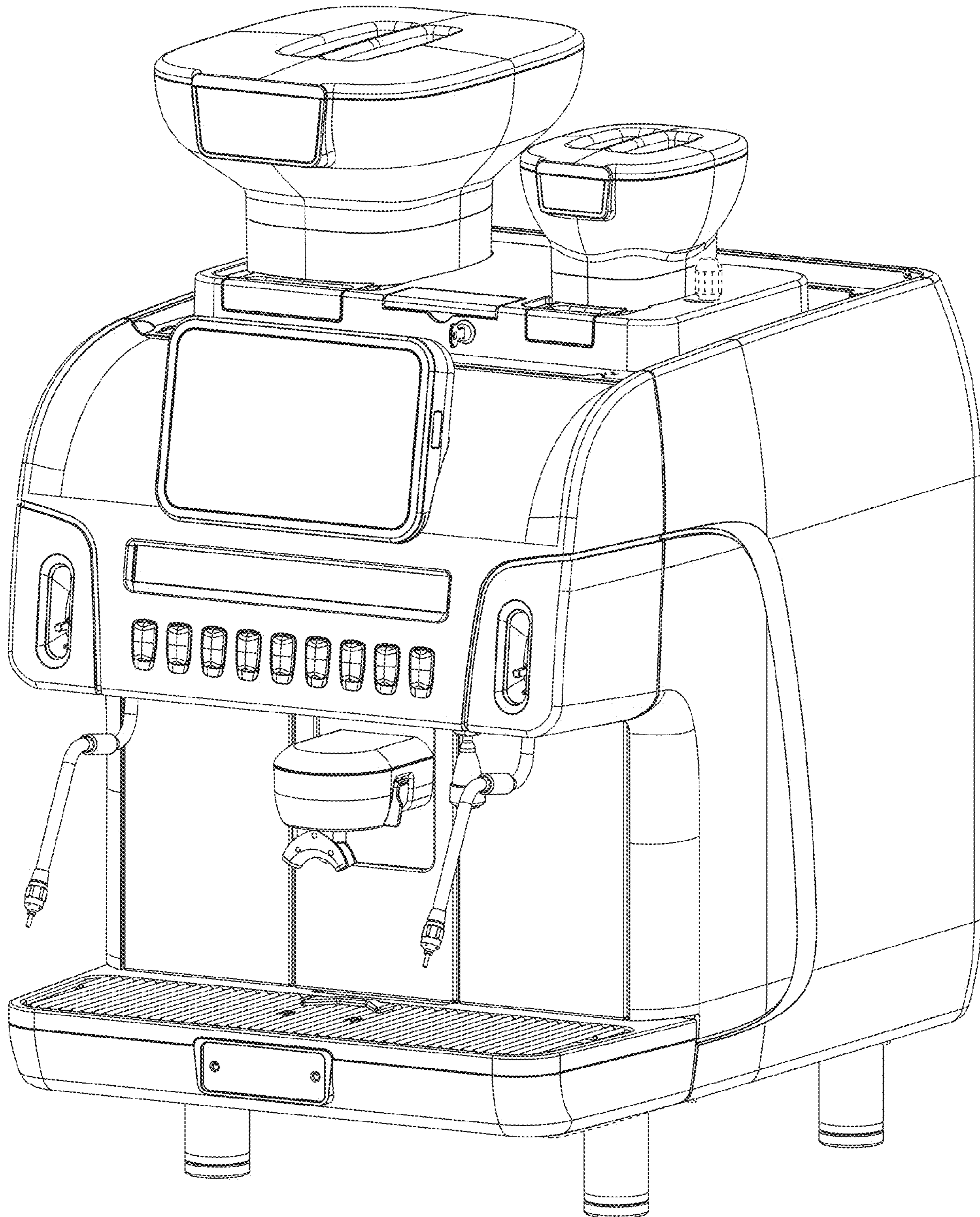


FIG. 6

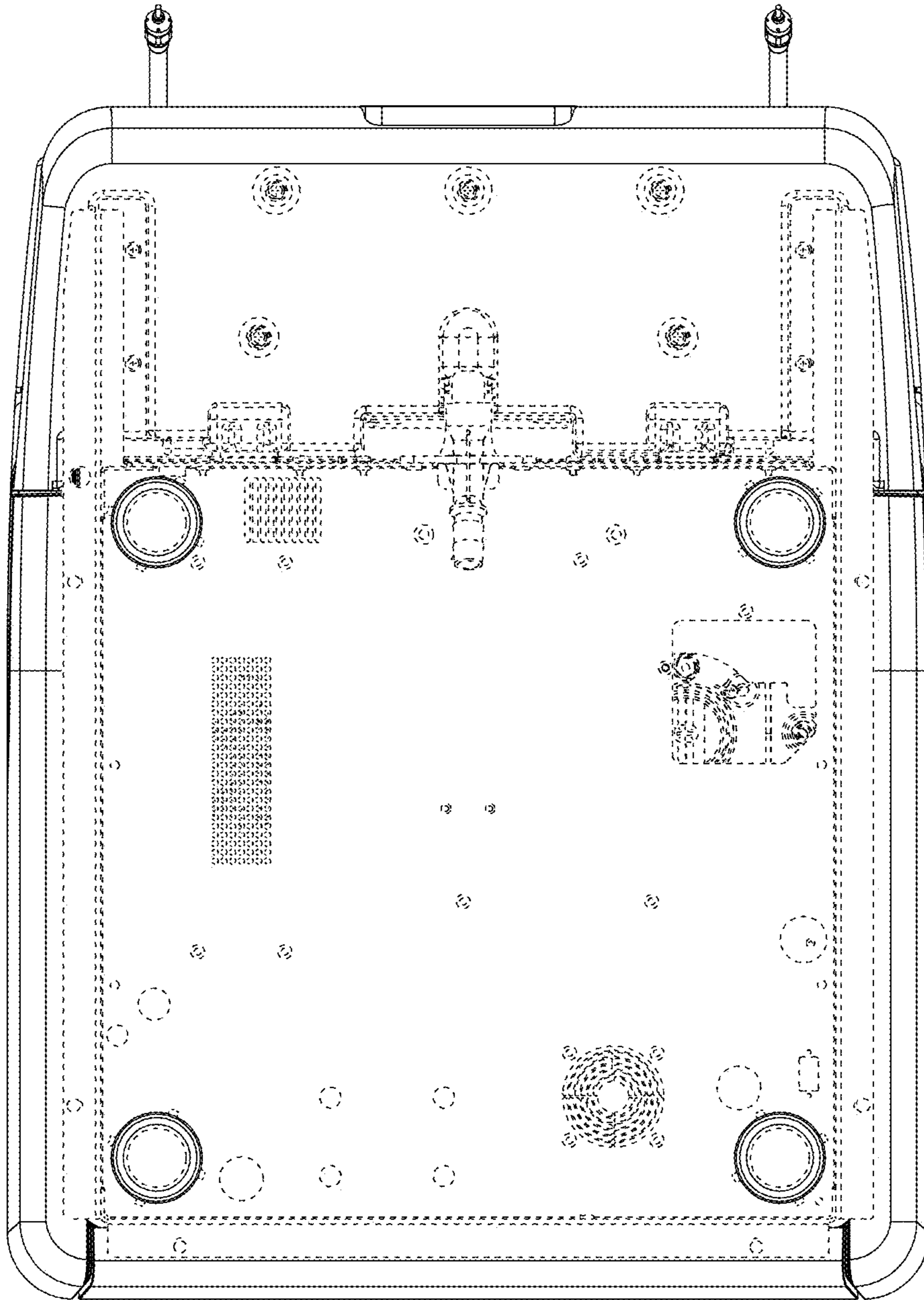


FIG. 7